



Russell Hobbs

Smart in the kitchen...



Programmable Coffeemaker

Model RH12DSBCAN

Instructions and Warranty

IMPORTANT SAFEGUARDS

When using electrical appliances, basic safety precautions should always be followed, including the following:

1. Read all instructions.
2. Do not touch hot surfaces. Use handles or knobs.
3. To protect against electric shock, do not place cord, plugs, or appliance in water or other liquid.
4. Close supervision is necessary when any appliance is used by or near children.
5. Unplug from outlet when not in use and before cleaning. Allow to cool before putting on or taking off parts, and before cleaning the appliance.
6. Do not operate any appliance with a damaged cord or plug or after the appliance malfunctions, or has been damaged in any manner. Contact Consumer Service for examination, repair or adjustment.
7. The use of an accessory not evaluated for use with this appliance may cause injuries.
8. Do not use outdoors.
9. Do not let cord hang over edge of table or counter, or touch hot surfaces.
10. Do not place on or near a hot gas or electric burner, or in a heated oven.
11. To disconnect, press the ON/OFF Button, then remove plug from wall outlet.
12. Do not use appliance for other than intended use.
13. Be certain Lids are securely in place before operating appliance.
14. Scalding may occur if the Lids are removed during the brewing cycle.
15. The Carafe is designed for use with this appliance. It must never be used on a range top.
16. Do not set a hot Carafe on a wet or cold surface.
17. Do not use a cracked Carafe or a Carafe having a loose or weakened handle.
18. Do not clean Carafe with cleansers, steel wool pads, or other abrasive material.

**SAVE THESE INSTRUCTIONS
FOR HOUSEHOLD USE ONLY**

Additional Important Safeguards

WARNING: This appliance generates heat and escaping steam during use. Proper precautions must be taken to prevent the risk of burns, fires, or other injury to persons or damage to property.

1. All users of this appliance must read and understand this Instruction Manual before operating or cleaning this appliance.
2. The cord to this appliance should be plugged into a 120V AC electrical outlet only.
3. Use **water only** in this appliance! Do not put any other liquids or food products in this appliance. Do not mix or add anything to the water placed in this appliance, except as instructed in the User Maintenance Instructions to clean the appliance.
4. **DO NOT** attempt to move an appliance containing hot liquids. Allow appliance to cool completely before moving.
5. Keep appliance at least 4 inches away from walls or other objects during operation. Do not place any objects on top of appliance while it is operating. Place the appliance on a surface that is resistant to heat.
6. If this appliance begins to malfunction during use, immediately unplug the cord. Do not use or attempt to repair the malfunctioning appliance.
7. If this appliance falls or accidentally becomes immersed in water or any other liquid, unplug it immediately. **Do not reach into the water! Do not use this appliance after it has fallen into or has become immersed in water.** Contact Consumer Service for examination and repair.
8. Do not leave this appliance unattended during use.
9. The appliance must be left to cool down sufficiently before adding more water to avoid splattering.
10. Always use fresh, cool water in your appliance. Warm water or other liquids, except as listed in cleaning section, may cause damage to the appliance.
11. **DO NOT** put Carafe into a microwave.
12. **DO NOT** leave empty Carafe on Warming Plate when appliance is turned ON, as the Carafe may crack or become otherwise damaged.
13. **DO NOT** lift Hinged Filter Lid until brewing is complete, and all parts have cooled.
14. **CAUTION:** To prevent injury when utilizing Pause & Pour (drip-stop) feature, replace Carafe within 1 minute of removing during brewing process.

Polarized Plug

This appliance has a polarized plug (one blade is wider than the other). To reduce the risk of electric shock, this plug is intended to fit into a polarized outlet only one way. If the plug does not fit fully in the outlet, reverse the plug. If it still does not fit, contact a qualified electrician. Do not attempt to modify the plug in any way.

Short Cord Instructions

A short power-supply cord is provided to reduce the risk resulting from becoming entangled in or tripping over a longer cord.

Do not use an extension cord with this product.

Plasticizer Warning

CAUTION: To prevent Plasticizers from migrating from the finish of the countertop or tabletop or other furniture, place NON-PLASTIC coasters or place mats between the appliance and the finish of the countertop or tabletop.

Failure to do so may cause the finish to darken, permanent blemishes may occur or stains can appear.

Electric Power

If the electrical circuit is overloaded with other appliances, your appliance may not operate properly. It should be operated on a separate electrical circuit from other appliances.

Warning

TO REDUCE THE RISK OF FIRE OR ELECTRIC SHOCK, DO NOT REMOVE THE BOTTOM COVER. NO USER-SERVICEABLE PARTS INSIDE. REPAIR SHOULD BE DONE BY AUTHORIZED SERVICE PERSONNEL ONLY.

Coffee Yield

This 12 Cup Coffeemaker yields: 12 (5-oz.) cups

NOTE: A 5 oz. cup is the American industry standard and is used by most coffeemaker manufacturers.

Getting to Know Your Russell Hobbs® Programmable Coffeemaker

PRODUCT MAY VARY SLIGHTLY FROM ILLUSTRATIONS.

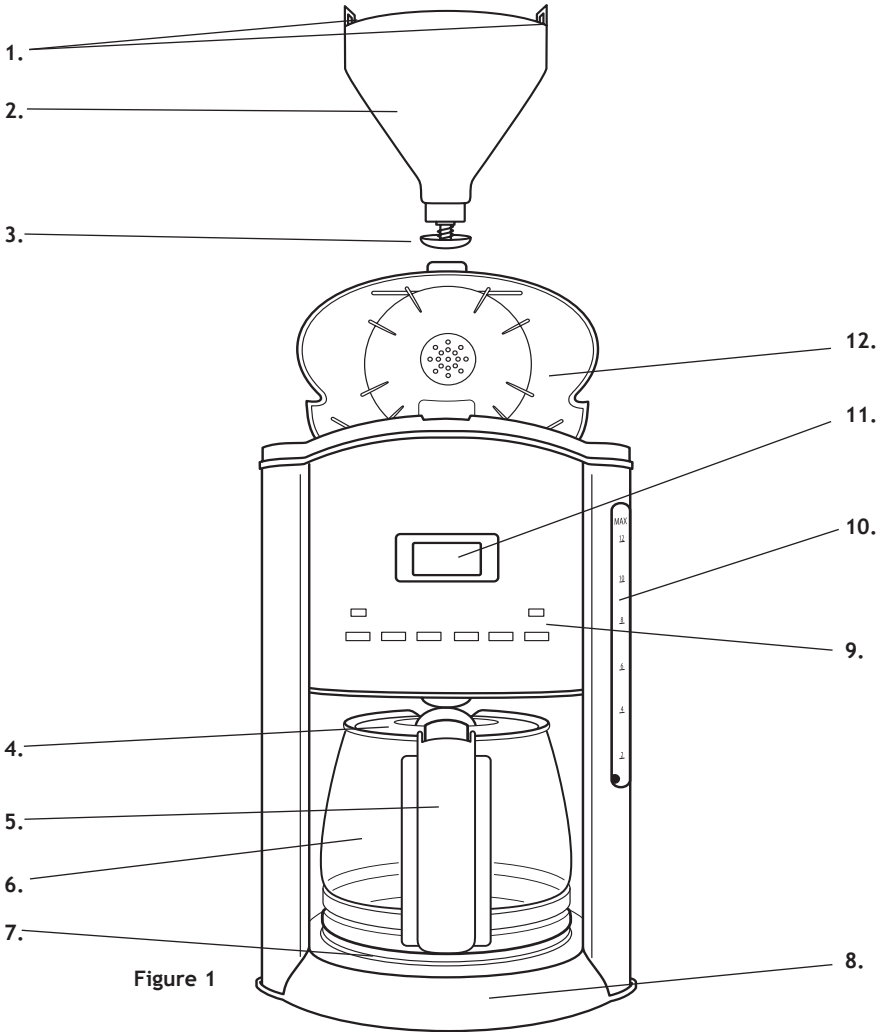


Figure 1

1. Filter Basket Handles
2. Removable Filter Basket (P/N 31146B)
3. Auto Pause & Pour Feature
4. Carafe Lid (P/N 31147B)
5. Carafe Handle
6. Carafe (P/N 31148B)

7. Base
8. Warming Plate
9. Control Panel
10. Water Level Indicator
11. Digital Display
12. Lid

Control Panel

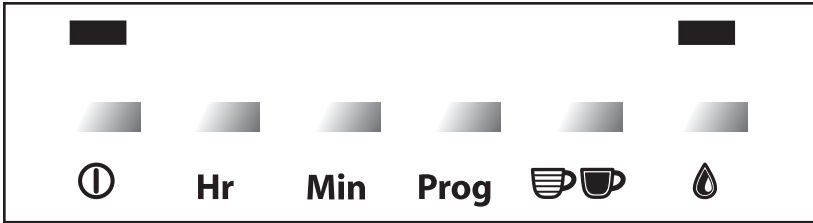


Figure 2

- ⓘ Power Select ON/OFF Button.** Press this Button to turn the unit ON to start the brewing process. You can also turn the unit OFF by pressing this Button when the brewing cycle is complete. The Red ON Light, above the ON/OFF Button, will illuminate when the Coffeemaker is ON. The Green AUTO Light, above the Drip Button, will illuminate when the Coffeemaker has been programmed.
- Hr HR Button.** Use this Button to display the correct hour when setting the time.
- Min MIN Button.** Use this Button to display the correct minute when setting the time.
- Prog PROGRAM Button.** Use this Button to program your Coffeemaker to start brewing at a specified time.
- ☕ Brew Strength Button.** Use this Button to select a stronger strength of brew. To ensure optimum flavor, the Brewing Strength Selector regulates the brewing process based upon the amount of coffee being prepared. When preparing 4 cups or less, press this Button. A cup will appear in the Display. This will slow down the flow of water into the Filter Basket to provide a rich coffee flavor by promoting a better saturation of grounds for smaller quantities. When preparing 5 or more cups, reset the selector. The cup will disappear from the window. This will prepare a full pot of coffee at the normal rate, allowing ample time for the grounds to be saturated, without imparting a bitter taste.
- 💧 Drip Button.** This Button is used to initiate the programmed pre-set brew time. You may also cancel the pre-set brew time by pressing this Button as well.

Introduction

Congratulations on your purchase of the Russell Hobbs® 12 Cup 24 Hour Programmable Coffeemaker with LCD Clock and Timer. Use the Brew Strength Button to ensure optimum flavor and offer a stronger cup of coffee. Left unattended, this Coffeemaker will keep your Carafe of freshly-brewed coffee warm for up to 2 hours. The non-stick Warming Plate, Auto Pause & Pour and LED Power Indicator Light are some of the features that make this Coffeemaker a must in every kitchen.

Before Brewing Coffee for the First Time

WARNING: To reduce risk of fire or electric shock, do not immerse Cord, Plug or appliance in water or any other liquid.

1. Before preparing coffee in your new Coffeemaker, thoroughly clean the Carafe, Carafe Lid and Removable Filter Basket in warm, soapy water. Rinse and dry. Replace disassembled parts.

NOTE: The Removable Filter Basket must be placed into the Coffeemaker with the 2 handles, located on the sides of the Filter Basket, aligning with the 2 notches on the inside of the unit (see Figure 3). Press the Filter Basket down until it clicks into place.

2. Clean the inside of the Coffeemaker by brewing 2 full Carafes using cool water (see Brewing Instructions). Do not place a filter or coffee in the Removable Filter Basket for this initial cleaning.

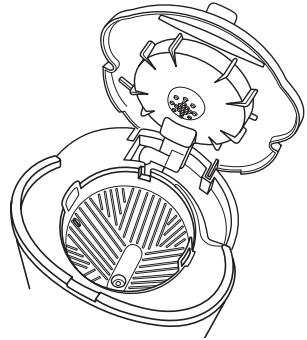


Figure 3

NOTE: At the end of the first brewing cycle, turn the Coffeemaker OFF and wait 10 minutes for the appliance to cool. Turn unit ON again and brew a second Carafe using cool water only.

Coffee Filters

Cone-shaped paper filters are available locally at grocery stores and where Coffeemakers are sold. Standard #4 filters should be used. Permanent gold filters may also be purchased, eliminating the need for disposable paper filters.

The use of basket-style paper filters is not recommended, since they do not conform to the shape of the Removable Filter Basket and may cause coffee to back up and spill over during brewing.

Brewing Instructions

1. Place the Coffeemaker on a flat, level surface. Plug the unit into a 120V, AC electrical outlet.
2. Open the Lid by using the lip located on top of the Coffeemaker. (See Figure 1).
3. Place a #4 cone-shaped paper filter into the Removable Filter Basket. Measure 1/2 to 1 tablespoon of drip or regular grind coffee for each cup of coffee desired. For stronger or milder coffee, adjust amount of coffee to suit your taste.

NOTE: We recommend using coffee ground specifically for automatic drip coffeemakers.

4. Fill the Carafe with cold water and pour it into the Water Chamber. Fill to the desired level using the Water Level Indicator Window to measure. For the best tasting brewed coffee, it is recommended that no less than 2 cups of coffee be brewed at a time. Place the Carafe on the Warming Plate.

IMPORTANT: Always use fresh, cool water in your appliance. Warm water or other liquids, except as listed in the Care and Cleaning Instructions, may cause damage to the appliance.

NOTE: The amount of brewed coffee will always be less than the amount of water placed into the Coffeemaker, since about 10% is absorbed by the coffee grounds and filter.

5. Close the Lid.
6. You may choose to brew your coffee at a stronger brew strength. To do so, press the Brew Strength Button. A filled coffee cup icon will appear in the Display indicating a stronger brew strength. (See Figure 2).
7. Press the Power Select ON/OFF Button. The Red ON Light will illuminate and the word "ON" will appear in the upper right hand corner, indicating that the brewing cycle has begun. Hot water will be dispensed gently and evenly through the coffee grounds.

NOTE: If you prefer to use the Timer to preset the Coffeemaker, see the Using the Timer Control section.

8. To pour a cup of coffee before the brew cycle is complete, simply remove the Carafe from the Warming Plate and pour. Brewing will continue but dripping will automatically pause. Return the Carafe to the Warming Plate within 1 minute; dripping will resume.

CAUTION: To prevent injury when utilizing Pause & Pour (drip-stop) feature, replace Carafe within 1 minute of removing during brewing process.

9. To brew another Carafe of coffee, turn unit OFF and wait 10 minutes to allow heating element to cool.

Brewing Instructions (Continued)

IMPORTANT: If unit is not allowed to cool before immediate repeated use, water placed in Water Chamber may become overheated and a spray of steam could be released from opening, creating a risk of burns.

10. When not in use unplug the Base from the wall outlet. Allow the unit to cool completely before cleaning. See User Maintenance Instructions.

Auto Shut-Off

As an added convenience, your Coffeemaker has been designed with an Auto Shut-Off feature. When the brewing cycle is complete, the Coffeemaker will automatically shut-off after 2 hours.

Auto Pause & Pour

Remove the Carafe from the Warming Plate. Always keep the Carafe Lid on the Carafe.

IMPORTANT: When using the Auto Pause & Pour Feature while the Coffeemaker is still brewing, the Carafe with Lid must be replaced on the Warming Plate, under the Filter Basket within (1) one minute to prevent the Filter Basket from overflowing.

Brewing a Second Carafe of Coffee

To brew another Carafe of coffee, turn unit OFF and wait 10 minutes to allow heating element to cool. While unit is OFF, dispose of used coffee filter, rinse Carafe and the Removable Filter Basket in water. Place a fresh filter in Basket. Repeat brewing procedure.

Using the Timer Control

Your Coffeemaker has a built in multifunction Timer. The following sections describe the proper use of the Timer. (See Figure 2).

Setting the Clock

To set the clock, press the HR Button until the hour has been reached. Make sure the proper AM/PM indicator is shown on the left side of the Digital Display. Press the MIN Button until the minutes have been reached. You may press and hold the HR or MIN Buttons to display the correct time more rapidly.

NOTE: Unplugging the unit will reset the clock to 12:00.

Presetting the Brewing Cycle

To preset your Coffeemaker to begin brewing at a later time, first follow steps 1 through 6 in the Brewing Instructions section. Check to make sure that the clock is set to the correct time. If it is not, follow the above instructions to set the clock. Press the PROGRAM Button once, the Digital Display will flash Program. Press the HR and MIN Buttons until the desired brew time is reached. Make sure the proper AM/PM appears on the left side of the Digital Display. Press the Drip Button. The green AUTO Light will illuminate indicating that the Coffeemaker is now waiting for the preset brew time to be reached before it begins the brewing cycle. To cancel the Auto Brew, press the Drip Button and the green Light will shut OFF. If you want to brew at a stronger strength, press the Brew Strength Button. A filled coffee cup icon will appear in the Display.

Hints for Great Tasting Coffee

- A clean Coffeemaker is essential for making great tasting coffee. Regular cleaning, as specified in User Maintenance Instructions is highly recommended. Always use fresh, cool water in your Coffeemaker. Finer grinds, such as drip and ADC coffee, promote fuller extraction and provide rich, full-bodied coffee. Regular grind will require slightly more coffee per cup to provide the strength of a finer grind.
- Store coffee in a cool, dry place. Once coffee has been opened, keep it tightly sealed in the refrigerator to maintain freshness. For optimum coffee, buy whole beans and grind them just before brewing.
- Do not re-use coffee grounds since this will greatly impair coffee flavor.
- Reheating coffee is not recommended. Coffee is at its peak flavor immediately after brewing.
- Small oil droplets on the surface of brewed, black coffee is due to the extraction of oil from the coffee grounds. Oiliness may occur more frequently if heavily roasted coffees are used. Over extraction may also cause oiliness, indicating a need to clean your Coffeemaker.

USER MAINTENANCE INSTRUCTIONS

This appliance requires little maintenance. It contains no user-serviceable parts. Any servicing requiring disassembly other than cleaning must be performed by a qualified appliance repair technician.

WARNING: Unplug from wall outlet before cleaning.

Care and Cleaning

1. Always make sure Coffeemaker is unplugged and Base and Warming Plate is cool before attempting to clean.
2. After daily use, the Removable Filter Basket, Carafe and Carafe Lid should be washed in warm, soapy water.
3. If necessary, wipe the outside of the Coffeemaker with a soft, damp cloth and wipe dry. Do not use abrasive cleansers, scouring pads or steel wool.

Descaling

Special cleaning of your Coffeemaker is recommended at least once a month, depending on frequency of use and quality of water used in the unit. If water in your area is especially hard, the following cleaning procedure should be performed every 2 weeks, since minerals in water can detract from the flavor of the coffee and possibly lengthen brew time.

1. Fill the Carafe with 1 part white vinegar to 3 parts cold water. Pour water and vinegar solution into the Water Chamber.
2. Place a paper filter in the Removable Filter Basket then close the Lid. Place Carafe on Warming Base Plate. Press the Power Select Button to ON.

NOTE: During cleaning, more steam will occur than during normal brewing.

3. **KEEP THE COFFEEMAKER ON UNTIL HALF THE WATER HAS CYCLED THROUGH THE COFFEEMAKER, AS CAN BE VIEWED THROUGH THE WATER LEVEL INDICATOR.** Press the Power Select Button to OFF. When liquid stops dripping from the Removable Filter Basket into the Carafe, remove the Carafe and allow the liquid to cool for 10 minutes. When cooled, pour liquid back into the Water Chamber.
4. Return Carafe to Warming Base Plate.
5. Switch control to ON. Repeat procedure, allowing all the cleaning solution to empty into the Carafe. After dripping has stopped, discard contents in Carafe.
6. After allowing the Coffeemaker to cool for 10 minutes, rinse it out by brewing a Carafe full of cold water. Make sure to insert a fresh filter into the Removable Filter Basket before brewing.
7. At the end of the brew cycle, press the Power Select Button to OFF. Discard water in the Carafe. Remove used filter and wash the Carafe, Carafe Lid and Removable Filter Basket in warm, soapy water. Rinse well and dry.
8. When the Coffeemaker has cooled, wipe exterior with a dry cloth.

LIMITED ONE-YEAR WARRANTY

Warranty Coverage: This product is warranted to be free from defects in materials or workmanship for a period of one (1) year from the original purchase date. This product warranty is extended only to the original consumer purchaser of the product and is not transferable. For a period of one (1) year from the date of original purchase of the product, our Repair Center will, at its option, either (1) repair the product or (2) replace the product with a reconditioned comparable model. These remedies are the purchaser's exclusive remedies under this warranty.

Warranty Service: To obtain warranty service, you must call our warranty service number at 1-800-233-9054 for return instructions on how to deliver the product, in either the original packaging or packaging affording an equal degree of protection to the Repair Center specified below. You must enclose a copy of your sales receipt or other proof of purchase to demonstrate eligibility for warranty coverage.

To return the appliance, ship to: **To contact us, please write to, call, or email:**

ATTN: Repair Center
708 South Missouri Street
Macon, MO 63552 USA

Consumer Relations Department
PO Box 7366
Columbia MO 65205-7366 USA
1-800-233-9054
E-mail:consumer_relations@toastmaster.com

What Is Not Covered: This warranty does not cover damage resulting from misuse, accident, commercial use, improper service or any other damage caused by anything other than defects in material or workmanship during ordinary consumer use. This warranty is invalid if the serial number has been altered or removed from the product. This warranty is valid only in the United States and Canada.

LIMITATION ON DAMAGES: THERE SHALL BE NO LIABILITY FOR ANY INCIDENTAL OR CONSEQUENTIAL DAMAGES FOR BREACH OF ANY EXPRESS OR IMPLIED WARRANTY OR CONDITION ON THIS PRODUCT.

DURATION OF IMPLIED WARRANTIES: EXCEPT TO THE EXTENT PROHIBITED BY APPLICABLE LAW, ALL IMPLIED WARRANTIES AND CONDITIONS, INCLUDING, WITHOUT LIMITATION, IMPLIED WARRANTIES AND CONDITIONS OF MERCHANTABILITY AND FITNESS FOR A PARTICULAR PURPOSE OR USE ON THIS PRODUCT ARE LIMITED IN DURATION TO THE DURATION OF THIS WARRANTY.

Some jurisdictions do not allow the exclusion or limitation of incidental or consequential damages, or allow limitations on how long an implied warranty lasts, so the above limitations or exclusions may not apply to you. This warranty gives you specific legal rights and you may have other rights under the laws of your jurisdiction.

For more information on our products, visit our website:
www.maxim-toastmaster.com.

©2005 All rights reserved.
Made in China

P/N 61666CAN
5/05

Free Manuals Download Website

<http://myh66.com>

<http://usermanuals.us>

<http://www.somanuals.com>

<http://www.4manuals.cc>

<http://www.manual-lib.com>

<http://www.404manual.com>

<http://www.luxmanual.com>

<http://aubethermostatmanual.com>

Golf course search by state

<http://golfingnear.com>

Email search by domain

<http://emailbydomain.com>

Auto manuals search

<http://auto.somanuals.com>

TV manuals search

<http://tv.somanuals.com>