

# Automatic Drip Coffeemaker

USE AND CARE GUIDE  
MODEL TCM10PWF



# IMPORTANT SAFEGUARDS

When using electrical appliances, basic safety precautions should always be followed, including the following:

- ◆ Read all instructions.
- ◆ Do not touch hot surfaces. Use handles or knobs.
- ◆ To protect against electric shock, do not place cords, plugs or appliance in water or other liquid.
- ◆ Close supervision is necessary when any appliance is used by or near children.
- ◆ Unplug from outlet when not in use and before cleaning. Allow to cool before putting on or taking off parts, and before cleaning the appliance.
- ◆ Do not operate any appliance with a damaged cord or plug or after the appliance malfunctions, or has been damaged in any manner. Contact Consumer Service for examination, repair or adjustment.
- ◆ The use of an accessory not evaluated for use with this appliance may cause injuries.
- ◆ Do not use outdoors.
- ◆ Do not let cord hang over edge of table or counter, or touch hot surfaces.
- ◆ Do not place on or near a hot gas or electric burner, or in a heated oven.
- ◆ To disconnect, turn Power Switch to “off”, then remove plug from wall outlet.
- ◆ Do not use appliance for other than intended use.
- ◆ Be certain Lids are securely in place before operating appliance.
- ◆ Scalding may occur if the lid is removed during the brewing cycles.
- ◆ The carafe is designed for use with this appliance. It must never be used on a range top.
- ◆ Do not set a hot carafe on a wet or cold surface.
- ◆ Do not use a cracked Carafe or a Carafe having a loose or weakened handle.
- ◆ Do not clean carafe with cleansers, steel wool pads, or other abrasive material.

## SAVE THESE INSTRUCTIONS

For Household Use Only



# ADDITIONAL IMPORTANT SAFEGUARDS

**WARNING: This appliance generates heat and escaping steam during use. Proper precautions must be taken to prevent the risk of burns, fires, or other injury to persons or damage to property.**

- ◆ All users of this appliance must read and understand this Use and Care Guide before operating or cleaning this appliance.
- ◆ The cord to this appliance should be plugged into a 120 V AC electrical outlet only.
- ◆ Use **water only** in this appliance! Do not put any other liquids or food products in this appliance. Do not mix or add anything to the water placed in this appliance, except as instructed in the User Maintenance Instructions to clean the appliance.
- ◆ **DO NOT** attempt to move an appliance containing hot liquids. Allow appliance to cool completely before moving.
- ◆ Keep appliance at least 4 inches away from walls or other objects during operation. Do not place any objects on top of appliance while it is operating. Place the appliance on a surface that is resistant to heat.
- ◆ If this appliance begins to malfunction during use, immediately unplug the cord. Do not use or attempt to repair the malfunctioning appliance.
- ◆ If this appliance falls or accidentally becomes immersed in water or any other liquid, unplug it immediately. **Do not reach into the water! Do not use this appliance after it has fallen into or has become immersed in water.** Contact Consumer Service for examination and repair.
- ◆ Do not leave this appliance unattended during use.
- ◆ The appliance must be left to cool down sufficiently before adding more water to avoid splattering.
- ◆ Always use fresh, cool water in your appliance. Warm water or other liquids, except as listed in cleaning section, may cause damage to the appliance.
- ◆ **DO NOT** put carafe into a microwave.
- ◆ **DO NOT** leave empty Carafe on Warming Plate when appliance is turned ON, as the Carafe may crack or become otherwise damaged.
- ◆ **CAUTION:** To prevent injury when utilizing Pause and Pour (drip-stop) feature, replace Carafe within 30 seconds of removing during brewing process.

# Polarized Plug

This appliance has a polarized plug (one blade is wider than the other). To reduce the risk of electric shock, this plug is intended to fit into a polarized outlet only one way. If the plug does not fit fully in the outlet, reverse the plug. If it still does not fit, contact a qualified electrician. Do not attempt to modify the plug in any way.

# Short Cord Instructions

A short power-supply cord is provided to reduce the risk resulting from becoming entangled in or tripping over a longer cord.

Do not use an extension cord with this product.

# Electric Power

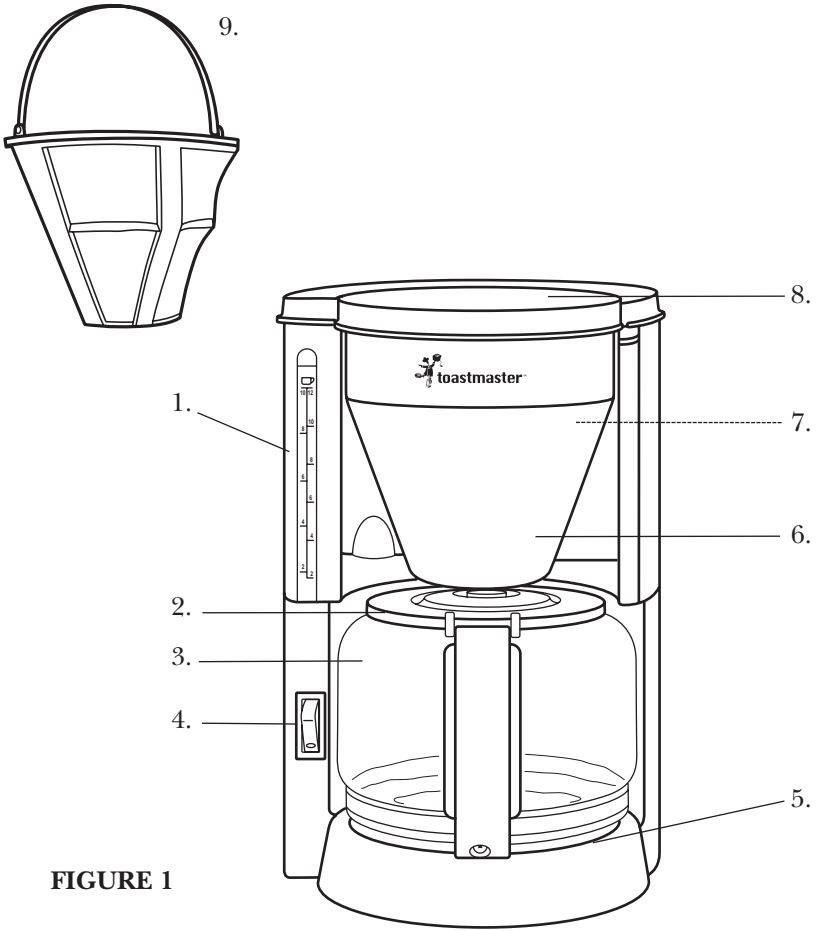
If the electric circuit is overloaded with other appliances, your appliance may not operate properly. It should be operated on a separate electrical circuit from other appliances.

**WARNING: TO REDUCE THE RISK OF FIRE OR ELECTRIC SHOCK, DO NOT REMOVE THE BOTTOM COVER. NO USER-SERVICEABLE PARTS INSIDE. REPAIR SHOULD BE DONE BY AUTHORIZED SERVICE PERSONNEL ONLY.**



# Getting To Know Your Toastmaster Coffeemaker

Product may vary slightly from Illustration.



**FIGURE 1**

- |                                   |                                                        |
|-----------------------------------|--------------------------------------------------------|
| 1. Water Window                   | 6. Swing-out Filter Holder                             |
| 2. Carafe Lid Only<br>(P/N 30899) | 7. Removable Filter Basket<br>w/ Drip Stop (P/N 30952) |
| 3. Glass Carafe (P/N 30790)       | 8. Water Chamber Cover                                 |
| 4. Power Switch                   | 9. Permanent Filter<br>(P/N 31127)                     |
| 5. Warming Plate                  |                                                        |

# Before You Use Your Coffeemaker

Before preparing coffee in your new coffeemaker, thoroughly clean the carafe, carafe lid and removable filter holder and permanent filter in hot, sudsy water. Rinse and dry. Replace disassembled parts. Clean the inside of the coffeemaker by brewing two full carafes of tap water (see "Brewing Instructions" below). Do not place coffee in filter holder for this initial cleaning.

Note: At the end of first cycle, turn coffeemaker off and wait ten minutes. Turn unit on and brew second carafe of water.

## Brewing Instructions

1. Plug coffeemaker into any 120 Volt, AC electrical outlet.
2. Fill carafe with cold tap water and pour into water chamber. Markings on the carafe indicate level of water required to brew desired number of cups. No less than two cups is recommended.

Note: The amount of brewed coffee will always be less than the amount of water placed into coffeemaker, since about 10% is absorbed by coffee grounds and filter.

3. Measure one level tablespoon of drip or regular grind coffee for each cup of coffee desired. For stronger or milder coffee, adjust amount of coffee to suit your taste. Add coffee to permanent filter and place filter into filter holder.
4. Return filter holder to closed position.
5. Place carafe on warming plate.
6. Switch control to on.
7. If you wish to serve a cup of coffee before brew cycle is completed, simply remove carafe from warming plate. Dripping will automatically cease. Return carafe to position on warming plate within a few seconds; dripping will resume.



## Brewing Instructions (Cont.)

8. Upon completion of the brew cycle, wait about one minute until the brew dripping from the filter holder into the carafe has stopped. Carafe lid should be kept in place to facilitate safe serving and help keep coffee at proper serving temperature.
9. To keep coffee hot, return carafe to the warming plate after serving. The warming plate will automatically cycle to maintain ideal serving temperature as long as the coffeemaker is on.
10. Switch coffeemaker to off when carafe is empty or when unit is not in use.
11. To brew another carafe of coffee, turn unit off and wait 10 minutes to allow heating element to cool. Important: If unit is not allowed to cool before immediate repeated use, water placed in water chamber may become overheated and a spray of steam could be released from opening, creating a risk of burns.

## Brewing A Second Pot Of Coffee

As mentioned above, it is recommended that the coffeemaker should be in off position for 10 minutes between cycles, in order to allow unit to cool. While unit is in off position, rinse carafe and permanent filter and holder in water. Repeat brewing procedure.

## Hints for Great Tasting Coffee

- ☛ A clean coffeemaker is essential for making great tasting coffee. Regular cleaning, as specified in "Care and Cleaning of your Coffeemaker" on page 7 is highly recommended.
- ☛ Always use fresh, cold water in your coffeemaker.
- ☛ Finer grinds, such as drip and ADC coffee, promote fuller extraction and provide rich, full-bodied coffee. Regular grind will require slightly more coffee per cup to provide the strength of a finer grind.

# Hints for Great Tasting Coffee

- ☛ Store coffee in a cool, dry place. Once coffee has been opened, keep it tightly sealed in the refrigerator to maintain freshness.
- ☛ For optimum coffee, buy whole beans and grind them finely just before brewing.
- ☛ Do not re-use coffee grounds since this will greatly impair coffee flavor.
- ☛ Reheating coffee is not recommended. Coffee is at its peak flavor immediately after brewing.
- ☛ Small oil droplets on the surface of brewed, black coffee is due to the extraction of oil from the coffee grounds. Oiliness may occur more frequently if heavily roasted coffees are used. Over extraction may also cause oiliness, indicating a need to clean your coffeemaker.

## User Maintenance Instructions

This appliance requires little maintenance. It contains no user serviceable parts. Do not try to repair it yourself. Refer it to a qualified appliance repair technician if servicing is needed.

## Care And Cleaning

Always make sure coffeemaker is unplugged and warming plate is cool before attempting to clean. After daily use, the filter holder, permanent filter and carafe should be washed in hot, sudsy water. Wipe exterior with a damp cloth to remove superficial stains. For stubborn stains, use a nylon or plastic pad with a non-abrasive cleanser, such as Bon Ami® or Arm & Hammer®. Do not use metal scouring pads or abrasive cleansers.

Special cleaning of your coffeemaker is recommended at least once a month, depending on frequency of use and quality of water used in the unit. If water in your area is especially hard, the following cleaning procedure should be performed every two weeks, since minerals in water can detract from the flavor of the coffee and possibly lengthen brew time.





## Care And Cleaning (Cont.)

1. Fill carafe with one part white vinegar to three parts cold water. Pour water and vinegar solution into the water chamber.
2. Place the permanent filter in the filter holder and swing to closed position. Place carafe on warming plate. Switch control to on. During cleaning, more steam will occur than during normal brewing.
3. **KEEP THE COFFEEMAKER ON UNTIL CARAFE IS HALF FULL.** Switch control to off. When liquid stops dripping from filter holder into the carafe, remove the holder and carafe and allow liquid to cool in the carafe for 10 minutes. When cooled, pour liquid back into the water chamber.
4. Replace holder and return carafe to warming plate.
5. Switch control to on. Repeat procedure, allowing all the cleaning solution to empty into the carafe. After dripping has stopped, discard contents of carafe.
6. After allowing coffeemaker to cool for 10 minutes, rinse it out by brewing a carafe full of cold water.
7. At end of brew cycle, switch control to off. Discard water in the carafe. Remove permanent filter and wash carafe and filter holder in hot sudsy water. Dry parts.
8. When coffeemaker has cooled, wipe exterior with a dry cloth.

## LIMITED ONE YEAR WARRANTY

**Warranty:** This Toastmaster® product is warranted to be free from defects in materials or workmanship for a period of (1) year from the original purchase date. This product warranty covers only the original consumer purchaser of the product.

**Warranty Coverage:** This warranty is void if the product has been damaged by accident in shipment, unreasonable use, misuse, neglect, improper service, commercial use, repairs by unauthorized personnel, normal wear and tear, improper assembly, installation or maintenance abuse or other causes not arising out of defects in materials or workmanship. This warranty is effective only if the product is purchased and operated in the USA, and does not extend to any units which have been used in violation of written instructions furnished with the product or to units which have been altered or modified or to damage to products or parts thereof which have had the serial number removed, altered, defaced or rendered illegible.

**Implied Warranties:** ANY IMPLIED WARRANTIES WHICH THE PURCHASER MAY HAVE ARE LIMITED IN DURATION TO ONE (1) YEAR FROM THE DATE OF PURCHASE. Some states do not allow limitations on how long an implied warranty lasts, so the above limitation may not apply to you.

**Warranty Performance:** During the above one-year warranty period, a product with a defect will be either repaired or replaced with a reconditioned comparable model (at our option) when the product is returned to the Repair Center, or the purchase price refunded. The repaired or replacement product will be in warranty for the balance of the one-year warranty period and an additional one-month period. No charge will be made for such repair or replacement.

**Service and Repair:** Should the appliance malfunction, you should first call toll-free 1 (800) 947-3744 between the hours of 9:00 am and 5:00 pm Central Standard Time and ask for CONSUMER SERVICE stating that you are a consumer with a problem. Please refer to model number TCM10PWF when you call.

**In-Warranty Service (USA):** For an appliance covered under the warranty period, no charge is made for service or postage. Call for return authorization (1 800 947-3744).

**Out-of Warranty Service:** A flat rate charge by model is made for out-of-warranty service. Include \$ 8.00 (U.S.) for return shipping and handling. We will notify you by mail of the amount of the charge for service and require you to pay in advance for the repair or replacement.

**For Products Purchased in the USA, but Used in Canada:** You may return the product insured, packaged with sufficient protection, and postage and insurance prepaid to the USA address listed below. Please note that all customs duty / brokerage fees, if any, must be paid by you and we will require you to pay the cost of customs duty / brokerage fees to us in advance of our performing any service.

**Risk During Shipment:** We cannot assume responsibility for loss or damage during incoming shipment. For your protection, carefully package the product for shipment and insure it with the carrier. Be sure to enclose the following items with your appliance: any accessories related to your problem, your full return address and daytime phone number, a note describing the problem you experienced, a copy of your sales receipt or other proof of purchase to determine warranty status. C.O.D. shipments cannot be accepted.

### To return the appliance, ship to:

Attn: Repair Center  
Toastmaster Inc.  
708 South Missouri Street  
Macon, MO 63552  
Email: [consumer\\_relations@toastmaster.com](mailto:consumer_relations@toastmaster.com)  
[www.toastmaster.com](http://www.toastmaster.com)

### To contact us, please write to or call:

Toastmaster Inc.  
P.O. Box 6916  
Columbia, MO 65205-6916  
1 (800) 947-3744

**Limitation of Remedies:** No representative or person is authorized to assume for us any other liability in connection with the sale of our products. There shall be no claims for defects or failure of performance or product failure under any theory of tort, contract or commercial law including, but not limited to negligence, gross negligence, strict liability, breach of warranty and breach of contract. Repair, replacement or refund shall be the sole remedy of the purchaser under this warranty, and in no event shall we be liable for any incidental or consequential damages, losses or expenses. Some states do not allow the exclusion or limitation of incidental or consequential damages, so the above limitation or exclusion may not apply to you.

**Legal Rights:** This warranty gives you specific legal rights, and you may also have other rights which vary from state to state.

© 2004 Toastmaster Inc.  
All Rights Reserved

P/N 61460  
Printed in China



toastmaster®

## Keep Dated Sales Receipts for Warranty Service.

Keep this booklet. Record the following for reference:

Date purchased \_\_\_\_\_

Model number \_\_\_\_\_

Date code (stamped on bottom) \_\_\_\_\_

**EVERYBODY EATS. It's a fact of life.**

**But sometimes preparing  
meals can become a chore.**

**That's why TOASTMASTER has been invited  
into millions of kitchens just like yours  
so we can HELP YOU MASTER your  
mixing, baking, grilling, toasting,  
brewing, heating and serving  
tasks WITH EASE AND STYLE.**

**The TOASTMASTER name stands for a  
CELEBRATION of INNOVATION designed  
to serve your life and keep you  
COOKIN' IN STYLE.**

# Contact Information

## Coordonnées :

## Contacte a:

### **Toastmaster Inc.**

National Service Center  
708 South Missouri Street  
Macon, Mo 63552

In USA and Canada call:

**Consumer Service: 1-800-947-3744**

**Consumer Parts: 1-800-947-3745**

**consumer\_relations@toastmaster.com**

**Hours: 8:00 A.M. - 5:30 P.M. CST**

Aux USA et au Canada, appeler les numéros suivants :

**Service Consommateurs : 1-800-947-3744**

**Pièces Consommateurs : 1-800-947-3745**

**consumer\_relations@toastmaster.com**

**Horaires : De 8h00 à 17h30, heure GMT - 6**

En México:

Toastmaster de México, S.A. de C.V.

Cerrada de Recursos

Hidráulicos Número 6

La Loma Industrial

Tlalnepantla de Baz, C.P. 54060

Estado de México

52-5-397-2848

**Horario: 8:00 a.m. hasta 5:30 p.m., hora del Centro**

## CONTACT US/APPELEZ



**1-800-947-3744**



**www.toastmaster.com**



**consumer\_relations@toastmaster.com**

© 2004 Toastmaster Inc.

A Subsidiary of Salton, Inc.

Subsidiaria de Salton, Inc.

A una Subsidiaria de Salton, Inc.



**toastmaster®**

11.





**toastmaster®**

- *Swing-out Cone Filter Holder*
- *Water Level Indicator*
- *Power Light*
- *Non-stick Warming Plate*



## **Questions**

Call toll free 1-800-947-3744

Monday–Friday, 8:00 a.m.-5:30 p.m. CST

[www.toastmaster.com](http://www.toastmaster.com)

**TCM10PWF**

## Free Manuals Download Website

<http://myh66.com>

<http://usermanuals.us>

<http://www.somanuals.com>

<http://www.4manuals.cc>

<http://www.manual-lib.com>

<http://www.404manual.com>

<http://www.luxmanual.com>

<http://aubethermostatmanual.com>

Golf course search by state

<http://golfingnear.com>

Email search by domain

<http://emailbydomain.com>

Auto manuals search

<http://auto.somanuals.com>

TV manuals search

<http://tv.somanuals.com>