

Automatic Drip Coffeemaker

USE AND CARE GUIDE

MODELS TCM4W, TCM4WCAN, TCM4B,
TCM4BCAN, TCM4R AND TCM4RCAN



toastmaster®

IMPORTANT SAFEGUARDS

When using electrical appliances, basic safety precautions should always be followed, including the following:

- ◆ Read all instructions.
- ◆ Do not touch hot surfaces. Use handles or knobs.
- ◆ To protect against electric shock, do not place cord, plugs, or appliance in water or other liquid.
- ◆ Close supervision is necessary when any appliance is used by or near children.
- ◆ Unplug from outlet when not in use and before cleaning. Allow to cool before putting on or taking off parts, and before cleaning the appliance.
- ◆ Do not operate any appliance with a damaged cord or plug or after the appliance malfunctions, or has been damaged in any manner. Contact Consumer Service for examination, repair or adjustment.
- ◆ The use of an accessory not evaluated for use with this appliance may cause injuries.
- ◆ Do not use outdoors.
- ◆ Do not let cord hang over edge of table or counter, or touch hot surfaces.
- ◆ Do not place on or near a hot gas or electric burner, or in a heated oven.
- ◆ To disconnect, switch Power Select Button to OFF (O) then remove plug from wall outlet.
- ◆ Do not use appliance for other than intended use.
- ◆ Be certain Lids are securely in place before operating appliance.
- ◆ Scalding may occur if the lid is removed during the brewing cycle.
- ◆ The Carafe is designed for use with this appliance. It must never be used on a range top.
- ◆ Do not set a hot Carafe on a wet or cold surface.
- ◆ Do not use a cracked Carafe or a Carafe having a loose or weakened handle.
- ◆ Do not clean Carafe with cleansers, steel wool pads, or other abrasive material.

SAVE THESE INSTRUCTIONS

For Household Use Only



toastmaster®

ADDITIONAL IMPORTANT SAFEGUARDS

WARNING: This appliance generates heat and escaping steam during use. Proper precautions must be taken to prevent the risk of burns, fires, or other injury to persons or damage to property.

- ◆ All users of this appliance must read and understand this Use and Care Guide before operating or cleaning this appliance.
- ◆ The cord to this appliance should be plugged into a 120 V AC electrical outlet only.
- ◆ Use **water only** in this appliance! Do not put any other liquids or food products in this appliance. Do not mix or add anything to the water placed in this appliance, except as instructed in the User Maintenance Instructions to clean the appliance.
- ◆ **DO NOT** attempt to move an appliance containing hot liquids. Allow appliance to cool completely before moving.
- ◆ Keep appliance at least 4 inches away from walls or other objects during operation. Do not place any objects on top of appliance while it is operating. Place the appliance on a surface that is resistant to heat.
- ◆ If this appliance begins to malfunction during use, switch the Power Select Button to OFF (O), then immediately unplug the cord. Do not use or attempt to repair the malfunctioning appliance.
- ◆ If this appliance falls or accidentally becomes immersed in water or any other liquid, unplug it immediately. **Do not reach into water! Do not use this appliance after it has fallen into or has become immersed in water.** Contact Consumer Service for examination and repair.
- ◆ Do not leave this appliance unattended during use.
- ◆ The appliance must be left to cool down sufficiently before adding more water to avoid spattering.
- ◆ Always use fresh, cool water in your appliance. Warm water or other liquids, except as listed in the cleaning section, may cause damage to the appliance.
- ◆ **DO NOT** put Carafe into a microwave.
- ◆ **DO NOT** leave empty Carafe on Warming Plate when appliance is turned ON "I", as the Carafe may crack or become otherwise damaged.

CAUTION: To prevent injury when utilizing Pause and Pour (drip-stop) feature, replace Carafe within 20 seconds of removing during brewing process.

Short Cord Instructions

A short power-supply cord is provided to reduce the risk resulting from becoming entangled in or tripping over a longer cord.

Do not use an extension cord with this product.

Polarized Plug

This appliance has a polarized plug (one blade is wider than the other). To reduce the risk of electric shock, this plug is intended to fit into a polarized outlet only one way. If the plug does not fit fully in the outlet, reverse the plug. If it still does not fit, contact a qualified electrician. Do not attempt to modify the plug in any way.

Electric Power

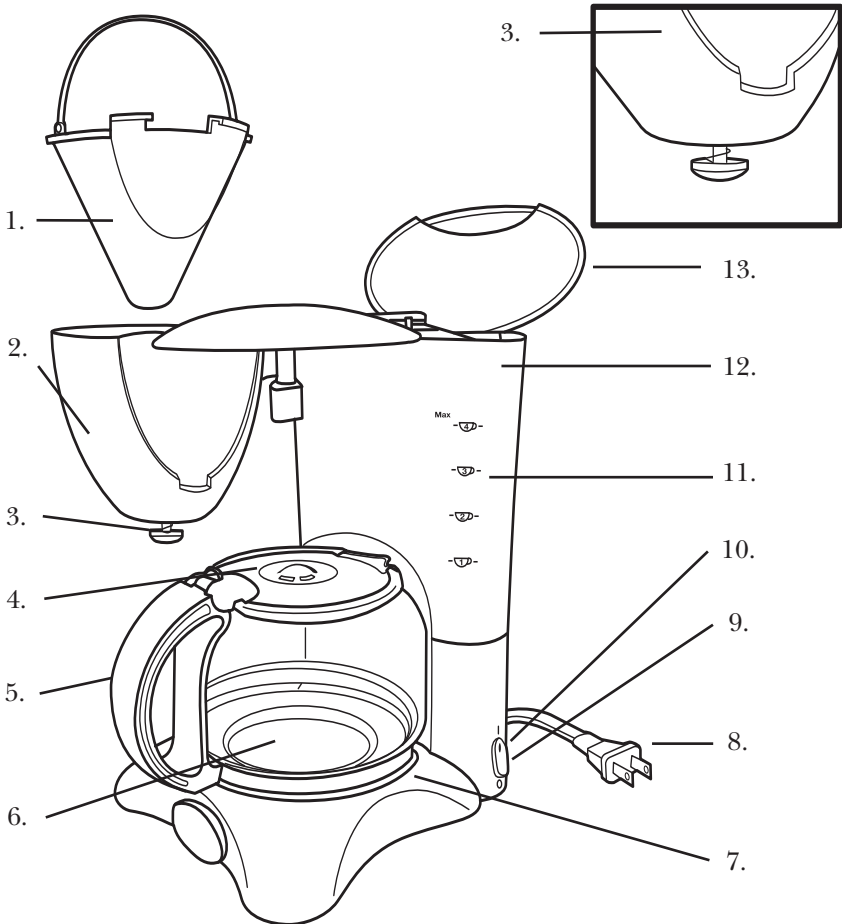
If the electrical circuit is overloaded with other appliances, your appliance may not operate properly. It should be operated on a separate electrical circuit from other appliances.

WARNING—TO REDUCE THE RISK OF FIRE OR ELECTRIC SHOCK, DO NOT REMOVE THE BOTTOM COVER. NO USER-SERVICEABLE PARTS INSIDE. REPAIR SHOULD BE DONE BY AUTHORIZED SERVICE PERSONNEL ONLY.



Getting to Know Your **Toastmaster®** Automatic Drip Coffeemaker

Your product may vary slightly from illustration.



1. Removable Cone Filter Basket
(P/N 31149)
2. Swing-Out Filter Holder
(P/N 31150*)
3. Auto Pause and Pour
(P/N 31151*)
4. Carafe Lid (P/N 31152*)
5. Carafe Handle
6. Glass Carafe w/Lid
(P/N 31153*)
7. Warming Plate

8. Power Cord
9. Power Select Button
10. Power Light
11. Water Level Indicator
12. Water Chamber
13. Water Chamber Lid
(P/N 31154*)

*When ordering replacement parts, please add proper color suffix to get part number.

W = White; B = Black; R = Red

Coffee Filters

Cone-shaped paper filters are available locally at grocery stores and where coffee makers are sold. Standard #2 filters should be used.

The use of basket-style paper filters is not recommended, since they do not conform to the shape of the Filter Basket and may cause coffee to back up and spill over during brewing.

Before You Use Your Coffeemaker

Before preparing coffee in your new Coffeemaker, thoroughly clean the Carafe, Carafe Lid and Removable Cone Filter Basket in hot, sudsy water. Rinse and dry. Replace disassembled parts. Clean the inside of the Coffeemaker by brewing two full Carafes of tap water (see “Brewing Instructions” below). Do not place coffee in Removable Cone Filter Basket for this initial cleaning.

NOTE: At the end of first cycle, turn Coffeemaker off and wait ten minutes. Turn unit on and brew second Carafe of water.

Brewing Instructions

1. Plug Coffeemaker into any 120 V AC electrical outlet.
2. Fill Carafe with cold tap water and pour into Water Chamber. Markings on the Carafe indicate level of water required to brew desired number of cups. No less than two cups is recommended.

NOTE: The amount of brewed coffee will always be less than the amount of water placed into Coffeemaker, since about 10% is absorbed by coffee grounds and paper filter.

3. Place a #2 paper cone-shaped filter in Removable Cone Filter Basket. Place Removable Cone Filter Basket in the Swing-Out Filter Holder. Measure one level tablespoon of drip or regular grind coffee for each cup of coffee desired. For stronger or milder coffee, adjust amount of coffee to suit your taste.
4. Return Swing-Out Filter Holder to the closed position.
5. Place Carafe on Warming Plate.
6. Switch Power Select Button to ON (I).



Brewing Instructions (Cont.)

7. If you wish to serve a cup of coffee before brew cycle is completed, simply remove Carafe from Warming Plate. Dripping will automatically cease. Return Carafe to position on Warming Plate within 20 seconds; dripping will resume.
8. Upon completion of the brew cycle, wait about one minute until the brew dripping from the Removable Cone Filter Basket into the Carafe has stopped. Carafe Lid should be kept in place to facilitate safe serving and help keep coffee at proper serving temperature.
9. To keep coffee hot, return Carafe to the Warming Plate after serving. The Warming Plate will automatically cycle to maintain ideal serving temperature as long as the Coffeemaker is ON.
10. Switch Coffeemaker to OFF (O) when Carafe is empty or when unit is not in use.
11. To brew another Carafe of coffee, turn unit OFF and wait 10 minutes to allow heating element to cool.

IMPORTANT: If unit is not allowed to cool before immediate repeated use, water placed in Water Chamber may become overheated and a spray of steam could be released from opening, creating a risk of burns.

Brewing a Second Pot of Coffee

As mentioned above, it is recommended that the Coffeemaker should be in OFF (O) position for 10 minutes between cycles, in order to allow unit to cool. While unit is in OFF position, rinse Carafe in water and dispose of filter and coffee grounds.

Repeat brewing procedure.

Hints for Great Tasting Coffee

- ◆ A clean Coffeemaker is essential for making great tasting coffee. Regular cleaning, as specified in “Care and Cleaning” section on page 8 is highly recommended.
- ◆ Always use fresh, cold water in your Coffeemaker.
- ◆ Finer grinds, such as drip and ADC coffee, promote fuller extraction and provide rich, full-bodied coffee. Regular grind will require slightly more coffee per cup to provide the strength of a finer grind.
- ◆ Store coffee in a cool, dry place. Once coffee has been opened, keep it tightly sealed in the refrigerator to maintain freshness.
- ◆ For optimum coffee, buy whole beans and grind them finely just before brewing.
- ◆ Do not re-use coffee grounds since this will greatly impair coffee flavor.
- ◆ Reheating coffee is not recommended. Coffee is at its peak flavor immediately after brewing.
- ◆ Small oil droplets on the surface of brewed, black coffee is due to the extraction of oil from the coffee grounds. Oiliness may occur more frequently if heavily roasted coffees are used. Overextraction may also cause oiliness, indicating a need to clean your Coffeemaker.

User Maintenance Instructions

This appliance requires little maintenance. It contains no user serviceable parts. Do not try to repair it yourself. Refer it to a qualified appliance repair technician if servicing is needed.



Care and Cleaning

Always make sure Coffeemaker is unplugged and Warming Plate is cool before attempting to clean. After daily use, the Removable Cone Filter Basket and Carafe should be washed in hot, sudsy water. Wipe exterior with a damp cloth to remove superficial stains. For stubborn stains, use a nylon or plastic pad with a non-abrasive cleanser, such as Bon Ami® or Arm & Hammer®. Do not use metal scouring pads or abrasive cleansers.

Special cleaning of your Coffeemaker is recommended at least once a month, depending on frequency of use and quality of water used in the unit. If water in your area is especially hard, the following cleaning procedure should be performed every two weeks, since minerals in water can detract from the flavor of the coffee and possibly lengthen brew time.

1. Fill Carafe with one part white vinegar to three parts cold water. Pour water and vinegar solution into the Water Chamber.
2. Place a #2 paper filter in the Removable Cone Filter Basket. Place Removable Cone Filter Basket in the Swing-Out Filter Holder and swing to closed position. Place Carafe on Warming Plate. Switch Power Select Button to ON (I). During cleaning, more steam will occur than during normal brewing.
3. **KEEP THE COFFEEMAKER ON UNTIL CARAFE IS HALF FULL.** Switch Power Select Button to OFF (O). When liquid stops dripping from Filter Holder into the Carafe, remove the Basket and Carafe and allow liquid to cool in the Carafe for 10 minutes. When cooled, pour liquid back into the Water Chamber.
4. Replace Basket and return Carafe to Warming Plate.
5. Switch Power Select Button to ON (I). Repeat procedure, allowing all the cleaning solution to empty into the Carafe. After dripping has stopped, discard contents of Carafe.
6. After allowing Coffeemaker to cool for 10 minutes, rinse it out by brewing a Carafe full of cold water. Make sure to insert Removable Cone Filter Basket into the Filter Holder before brewing.
7. At end of brew cycle, switch Power Select Button to OFF (O). Discard water in the Carafe. Wash Carafe, and Removable Cone Filter Basket in hot sudsy water. Dry parts.
8. When Coffeemaker has cooled, wipe exterior with a dry cloth.

LIMITED ONE-YEAR WARRANTY

Warranty Coverage: This product is warranted to be free from defects in materials or workmanship for a period of one (1) year from the original purchase date. This product warranty is extended only to the original consumer purchaser of the product and is not transferable. For a period of one (1) year from the date of original purchase of the product, our Repair Center will, at its option, either (1) repair the product or (2) replace the product with a reconditioned comparable model. These remedies are the purchaser's exclusive remedies under this warranty.

Warranty Service: To obtain warranty service, you must call our warranty service number at 1-800-233-9054 for return instructions on how to deliver the product, in either the original packaging or packaging affording an equal degree of protection to the Repair Center specified below. You must enclose a copy of your sales receipt or other proof of purchase to demonstrate eligibility for warranty coverage.

To return the appliance, ship to:

ATTN: Repair Center
708 South Missouri Street
Macon, MO 63552 USA

To contact us, please write to, call, or email:

Consumer Relations Department
PO Box 7366
Columbia, MO 65205-7366 USA
1-800-233-9054
E-mail: consumer_relations@toastmaster.com

What is Not Covered: This warranty does not cover damage resulting from misuse, accident, commercial use, improper service or any other damage caused by anything other than defects in material or workmanship during ordinary consumer use. This warranty is invalid if the serial number has been altered or removed from the product. This warranty is valid only in the United States and Canada.

LIMITATION ON DAMAGES: THERE SHALL BE NO LIABILITY FOR ANY INCIDENTAL OR CONSEQUENTIAL DAMAGES FOR BREACH OF ANY EXPRESS OR IMPLIED WARRANTY OR CONDITION ON THIS PRODUCT.

DURATION OF IMPLIED WARRANTIES: EXCEPT TO THE EXTENT PROHIBITED BY APPLICABLE LAW, ALL IMPLIED WARRANTIES AND CONDITIONS, INCLUDING, WITHOUT LIMITATION, IMPLIED WARRANTIES AND CONDITIONS OF MERCHANTABILITY AND FITNESS FOR A PARTICULAR PURPOSE OR USE ON THIS PRODUCT ARE LIMITED IN DURATION TO THE DURATION OF THIS WARRANTY.

Some jurisdictions do not allow the exclusion or limitation of incidental or consequential damages, or allow limitations on how long an implied warranty lasts, so the above limitations or exclusions may not apply to you. This warranty gives you specific legal rights and you may have other rights under the laws of your jurisdiction.

For more information on our products, visit our website: www.maxim-toastmaster.com.

© 2006 Toastmaster Inc.
All Rights Reserved

P/N 61820CAN
Rev. 1 3/06
Printed in China



toastmaster®

Keep Dated Sales Receipt for Warranty Service.

Keep this booklet. Record the following for reference:

Date purchased _____

Model number _____

Date code (stamped on bottom) _____

EVERYBODY EATS. It's a fact of life.

**But sometimes preparing
meals can become a chore.**

**That's why TOASTMASTER has been invited
into millions of kitchens just like yours
so we can HELP YOU MASTER your
mixing, baking, grilling, toasting,
brewing, heating and serving
tasks WITH EASE AND STYLE.**

**The TOASTMASTER name stands for a
CELEBRATION of INNOVATION designed
to serve your life and keep you
COOKIN' IN STYLE.**



toastmaster®

- Swing-Out Cone Filter Basket
- Water Level Indicator
- Power Light
- Auto Pause and Pour
- Non-Stick Warming Plate



Questions

Call toll free 1-800-233-9054

Monday–Friday, 8:00 a.m.-5:30 p.m. CST

www.maxim-toastmaster.com

TCM4W, TCM4WCAN, TCM4B, TCM4BCAN, TCM4R, TCM4RCAN

Download from [Www.Somanuals.com](http://www.Somanuals.com). All Manuals Search And Download.

Free Manuals Download Website

<http://myh66.com>

<http://usermanuals.us>

<http://www.somanuals.com>

<http://www.4manuals.cc>

<http://www.manual-lib.com>

<http://www.404manual.com>

<http://www.luxmanual.com>

<http://aubethermostatmanual.com>

Golf course search by state

<http://golfingnear.com>

Email search by domain

<http://emailbydomain.com>

Auto manuals search

<http://auto.somanuals.com>

TV manuals search

<http://tv.somanuals.com>