

8-Cup Thermal Carafe Coffee Maker with Digital Clock/Timer

USE AND CARE GUIDE
MODEL TCM8TD



IMPORTANT SAFEGUARDS

When using electrical appliances, basic safety precautions should always be followed, including the following:

- ◆ Read all instructions.
- ◆ Do not touch hot surfaces. Use handles or knobs.
- ◆ To protect against electric shock do not place cord, plugs, or appliance in water or other liquid.
- ◆ Close supervision is necessary when any appliance is used by or near children.
- ◆ Unplug from outlet when not in use and before cleaning. Allow to cool before putting on or taking off parts, and before cleaning the appliance.
- ◆ Do not operate any appliance with a damaged cord or plug or after the appliance malfunctions, or has been damaged in any manner. Contact Consumer Service for examination, repair or adjustment.
- ◆ The use of an accessory not evaluated for use with this appliance may cause injuries.
- ◆ Do not use outdoors.
- ◆ Do not let cord hang over edge of table or counter, or touch hot surfaces.
- ◆ Do not place on or near a hot gas or electric burner, or in a heated oven.
- ◆ To disconnect, press the on/off switch to off, then remove plug from wall outlet.
- ◆ Do not use appliance for other than intended use.
- ◆ Be certain Lids are securely in place before operating appliance.
- ◆ Scalding may occur if the lid is removed during the brewing cycles.
- ◆ This thermal carafe is designed for use with this appliance. It must never be used on a range top.
- ◆ Do not use cracked thermal carafe or a thermal carafe having a loose or weakened handle.
- ◆ Do not clean thermal carafe with cleansers, steel wool pads, or other abrasive material.

SAVE THESE INSTRUCTIONS

For Household Use Only



ADDITIONAL IMPORTANT SAFEGUARDS

WARNING: This appliance generates heat and escaping steam during use. Use proper precautions to prevent the risk of burns, fires, or other injury to persons or damage to property.

- ◆ All users of this appliance must read and understand this Use and Care Guide before operating or cleaning this appliance.
- ◆ The cord to this appliance should be plugged into a 120V AC electrical outlet only.
- ◆ Use **water and coffee only** in this appliance! Do not put any other liquids or food products (other than coffee) in this appliance. Do not mix or add anything to the water placed in this appliance, except as instructed in the User Maintenance Instructions to clean the appliance.
- ◆ DO NOT attempt to move the base of the appliance while it is hot. Allow appliance to cool completely before moving.
- ◆ Keep appliance at least 4 inches away from walls or other objects during operation. Do not place any objects on top of appliance while it is operating. Place the appliance on a surface that is resistant to heat.
- ◆ If this appliance begins to malfunction during use, immediately unplug the cord. Do not use or attempt to repair the malfunctioning appliance.
- ◆ If this appliance falls or accidentally becomes immersed in water or any other liquid, unplug it immediately. **Do not reach into the water! Do not use this appliance after it has fallen into or has become immersed in water. Contact Consumer Service for examination and repair.**
- ◆ Do not leave this appliance unattended during use.
- ◆ The appliance must be left to cool down sufficiently before adding more water to avoid splattering.
- ◆ Always use fresh, cool water in your appliance. Warm water or other liquids, except as listed in cleaning section, may cause damage to the appliance.

ADDITIONAL IMPORTANT SAFEGUARDS (CONT.)

- ◆ DO NOT put Thermal Carafe into a microwave.
- ◆ DO NOT lift Filter Basket Lid until brewing is complete, and all parts have cooled.
- ◆ The Thermal Carafe is designed for use with this appliance. It must never be used on a range top.
- ◆ Do not use a damaged Thermal Carafe.
- ◆ To prevent injury when utilizing the Auto Pause and Pour feature, replace thermal carafe within (1) one minute of removing during brewing process.

Short Cord Instructions

A short power supply cord is provided to reduce the risk resulting from becoming entangled in or tripping over a longer cord.

Do not use an extension cord with this product.

Polarized Plug

This appliance has a polarized plug (one blade is wider than the other). To reduce the risk of electric shock, this plug is intended to fit in a polarized outlet only one way. If the plug does not fit fully in the outlet, reverse the plug. If it still does not fit, contact a qualified electrician. Do not attempt to modify the plug in any way.

Electric Power

If the electrical circuit is overloaded with other appliances, your appliance may not operate properly. It should be operated on a separate electrical circuit from other appliances.

WARNING: TO REDUCE THE RISK OF FIRE OR ELECTRIC SHOCK, DO NOT REMOVE THE BOTTOM COVER. NO USER-SERVICEABLE PARTS INSIDE. REPAIR SHOULD BE DONE BY AUTHORIZED SERVICE PERSONNEL ONLY.



Plasticizers Warnings

CAUTION: To prevent Plasticizers from migrating from the finish of the countertop or tabletop or other furniture, place NON-PLASTIC coasters or placemats between the appliance and the finish of the countertop or tabletop.

Failure to do so may cause the finish to darken, permanent blemishes may occur or stains can appear.

Before Using Your 8-Cup Thermal Carafe Coffee Maker

CAUTION: Before using your 8-Cup Thermal Carafe Coffee Maker for the first time, we suggest you become familiar with all of its parts. Read all instructions and cautions carefully.

IMPORTANT: Never place thermal carafe on a hot stove or in a microwave. Never let the thermal carafe stand in water for a long period of time.

Before brewing coffee, clean the Thermal Carafe and removable Filter Basket in warm, soapy water. Reassemble coffee maker and place Thermal Carafe in place for brewing. Plug unit into outlet. Brew 8 cups of fresh water only. Follow procedures for "Brewing" (without coffee) on page 6. When all the water has brewed into the carafe, switch the coffee maker OFF. The indicator light will turn off. Wait 15 minutes to allow heating element to cool, discard the water from the thermal carafe. Repeat the process once. The unit is now ready for regular use.

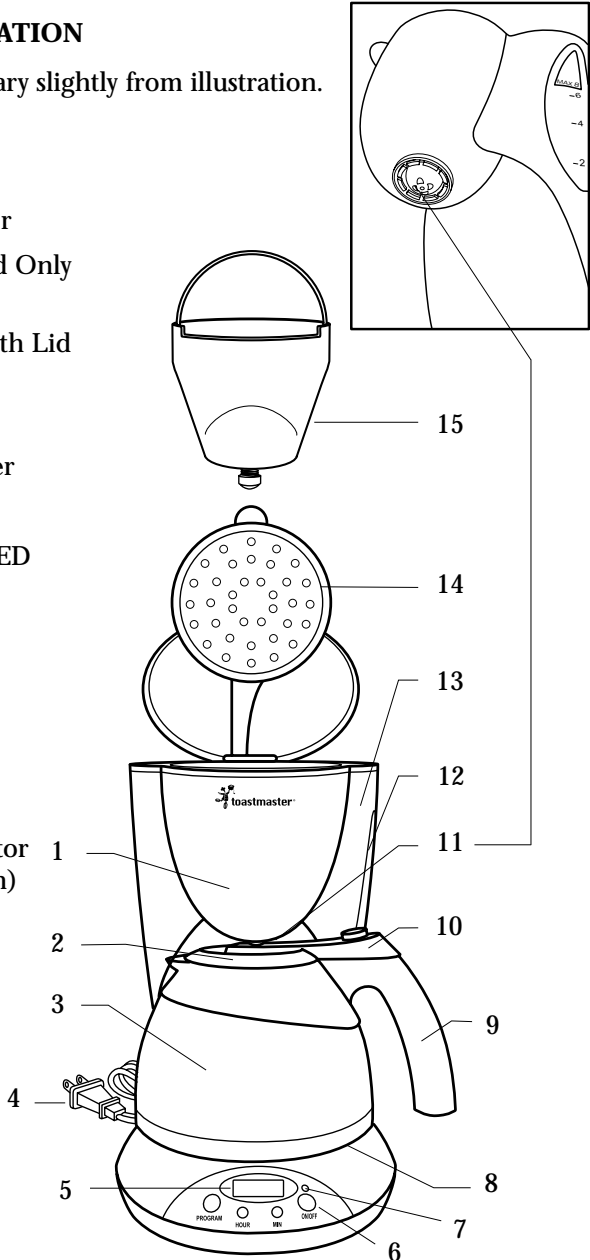
CAUTION: Do not immerse cord, plug, or coffee maker unit in water or other liquids.

Know Your 8-Cup Thermal Carafe Coffee Maker

PARTS IDENTIFICATION

Your product may vary slightly from illustration.

1. Filter Basket Holder
2. Thermal Carafe Lid Only (P/N 30838B)
3. Thermal Carafe With Lid (P/N 30837B)
4. Polarized plug
5. Digital Clock/Timer
6. ON/OFF Button
7. Illuminating ON LED
8. Base Plate
9. Carafe Handle
10. Carafe Lid Handle
11. Auto Pause and Pour Assembly (P/N 30819B)
12. Water Level Indicator (on side, not shown)
13. Water Reservoir
14. Coffee Maker Lid
15. Removable Filter Basket (P/N 30820B)



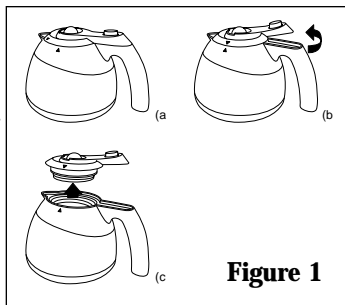
Using Your 8-Cup Thermal Carafe Coffee Maker with Digital Clock/Timer

BREWING

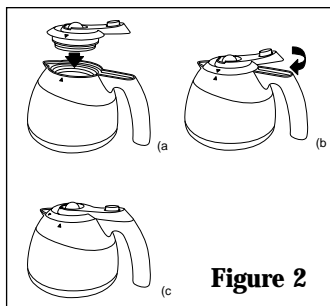
IMPORTANT: Place coffee maker on a level surface.

1. Plug the appliance into a standard 120 V AC electrical outlet.
2. Make sure unit is in the OFF position. The Indicator Light will be off.
3. Remove the Carafe from the Base Plate.

4. Remove Carafe Lid by turning the Carafe Lid handle counter-clockwise until the arrow on the Carafe Lid is aligned with the arrow on the Carafe. Lift Carafe Lid off. (See Figure 1).



5. Fill the Carafe with cold water. Lift the Coffee Maker Lid on top of the coffee maker and slowly pour the water from the Thermal Carafe into the Water Reservoir to the level for the desired number of cups (1-8). Replace Carafe Lid by aligning arrows on Carafe Lid and Carafe body and turn clockwise until handles are aligned (see Figure 2).



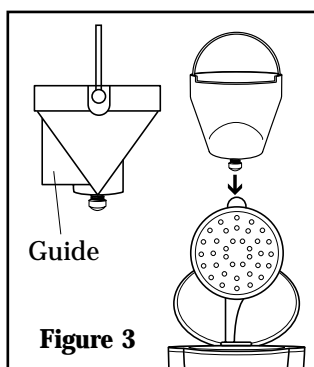
6. Extend the Removable Filter Basket handle to lift the Removable Filter Basket straight up and out of the coffee maker. Insert a #4 cone shaped paper coffee filter (or a permanent gold filter) inside the Removable Filter Basket.
7. Place coffee grounds in the filter, using one level tablespoon of drip grind coffee for each cup of brewed coffee.

Using Your 8-Cup Thermal Carafe Coffee Maker with Digital Clock/Timer

BREWING (CONT.)

8. While holding Filter Basket Handle up as in Figure 3, turn the Filter Basket so that the 2 guides are facing away from you. See Figure 3. Firmly replace the Removable Filter Basket by pushing it down into the Filter Basket Holder **with the handle in the upright position. Make sure it fits snugly so the Coffee Maker Lid will close properly. Fold the handle down toward you. When the handle is folded down, it activates latches on the side of the Removable Filter Basket and locks it into place.** Close the Coffee Maker Lid ensuring it snaps securely into place.
9. Make sure Carafe Lid is properly secured onto Carafe. When you replace the Thermal Carafe onto the Base Plate, the Carafe will snap easily into position under the Auto Pause and Pour Assembly.
10. The LCD will flash "12:00" until you set the time. The ON light should be OFF. If it is accidentally lit, press the ON/OFF button once and the ON light will turn OFF.

Turn guides to face the rear of the coffee maker.



Firmly replace the Removable Filter Basket by pushing it down into the Filter Basket Holder with the handle in the upright position. Make sure it fits snugly so the Coffee Maker Lid will close properly (Lid will snap into place).



Helpful Hints for Brewing

- ◆ Always use fresh, cold water for brewing. In areas with hard water or where water contains a high mineral content, use cold filtered water for optimal coffee taste.
- ◆ For best results, use a premium, fine grind, roast coffee.
- ◆ Use a #4 paper cone filter or a permanent gold filter.

Setting the Clock/Timer

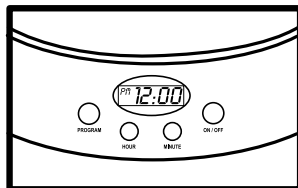
SETTING THE CLOCK

1. Plug the power cord into a wall outlet. The display will flash until the time of day is set.

NOTE: A power failure will also cause the display to flash and it will be necessary to reset the clock.

2. To set the clock, hold the HOUR button in for 3 to 5 seconds until the hour setting begins to change. Press the HOUR button until the correct hour is displayed, noting that PM is indicated on the left of the display.

3. Press the MIN button until the correct minutes are displayed. A few seconds after you release the button, the colon between the hour and the minutes will begin to flash, indicating that the clock is running.



SETTING THE TIMER

1. While holding the PROGRAM button down, press and hold the HOUR button until the hour display begins to change. The coffee cup icon on the left of the display will flash to indicate you are programming the timer. Continue to press the HOUR button until the correct hour is displayed for the brew time you would like to set, noting that PM is indicated on the left of the display.
2. While holding down the PROGRAM button, press the MIN button in the same way until the desired brew time is shown.
3. After the brew time is set, press PROGRAM again to return the display to time of day.
4. Pressing the PROGRAM button toggles the timer on and off. The coffee cup icon indicates when the timer is on.

To Start Brewing Coffee Immediately

For optimal holding temperature, rinse the inside of Thermal Carafe with warm water before brewing; empty and make sure Carafe Lid is properly secured onto Carafe. Place Carafe securely onto coffee maker.

Press the ON/OFF button. The ON LED will illuminate as the coffee maker begins brewing the coffee. Once the brewing cycle is complete the coffee maker will turn OFF automatically.

Once brewing is complete, carefully remove Thermal Carafe from Base Plate. To pour coffee, press button on Carafe Lid Handle.

To Start Brewing Coffee at the Programmed Time

At the programmed time, the coffee maker will turn itself on automatically. The ON light will turn on as the coffee maker begins brewing and coffee will begin flowing into the Thermal Carafe. Once the brewing cycle is complete the coffee maker will turn OFF automatically.

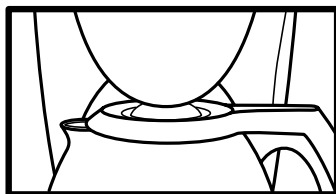
Once brewing is complete, carefully remove Thermal Carafe from Base Plate. To pour coffee, press button on Carafe Lid Handle.

NOTE: The amount of coffee in the Carafe may be slightly less than the amount of water placed in the Water Reservoir, since some of the water is absorbed by the coffee grounds.

Auto Pause and Pour Feature

Remove the Thermal Carafe from the Base Plate. Always keep the Carafe Lid on the Carafe when pouring the coffee.

IMPORTANT: When using the Auto Pause and Pour Feature while the coffee maker is still brewing, **the Thermal Carafe with Lid must be replaced on the Base Plate, under the Filter Basket within (1) one minute to prevent the Filter Basket from overflowing.**



To Brew a Second Pot of Coffee

To brew a second pot of coffee, wait 15 minutes and allow it to cool. Empty used coffee grounds and repeat steps for brewing coffee.

CAUTION: Failure to allow coffee maker to cool may cause water to overheat and spray hot steam. The hot steam can cause severe burns.

User Maintenance Instructions

This appliance requires little maintenance. It contains no user serviceable parts. Do not try to repair it yourself. Contact a qualified appliance repair technician if the product requires servicing.

Use and Care for Your 8-Cup Thermal Coffee Maker

A damaged Thermal Carafe may result in possible burns from hot liquid. To avoid breaking a Carafe:

1. Discard Carafe if damaged in any manner. A chip or crack could result in breakage.
2. Do not use cleaning agents or wire bottle brushes to clean the inside of the Thermal Carafe.
3. Do not place the Carafe on or near a hot gas or electric burner, in a heated oven, or in a microwave.
4. Avoid rough handling and sharp blows.

Cleaning Your 8-Cup Thermal Coffee Maker

CARE AND CLEANING

1. Make sure coffee maker is in the OFF position. The Power Indicator Light will be off.
2. Unplug and allow to cool completely before cleaning.
3. Lift the Coffee Maker Lid and remove the Removable Filter Basket by the handle. Discard coffee grounds and paper filter. Wash and dry all removable parts.

CARE AND CLEANING (CONT.)

4. Mineral deposits can be removed from the coffee maker by following the "Descaling" instructions. No parts should be cleaned in a dishwasher.
5. Clean the outside of the coffee maker with a damp cloth.

CAUTION: Do not immerse cord, plug, or coffee maker unit water or other liquid.

DESCALING

We recommend that you descale your coffee maker once a month because mineral deposits can form a coating in the coffee maker, causing slower brewing time and possibly an off flavor in the coffee. Use a cleaner recommended for coffee makers. To descale your unit:

1. Place a paper filter into the Removable Filter Basket. Make sure the Removable Filter Basket fits securely so Coffee Maker Lid closes properly (Lid will snap into place).
2. Fill Carafe with one part white vinegar to three parts cold water. Pour the water and vinegar solution into the Water Reservoir.
3. Place the empty Thermal Carafe with Lid on the Base Plate. Plug the coffee maker into an outlet and switch the coffee maker ON.
4. Keep the coffee maker ON until the Thermal Carafe is half full. (At 4 cup mark on Water Level Indicator.) Switch the coffee maker OFF and let cool for 1/2 hour.
5. After 1/2 hour, pour the water and vinegar solution back into the coffee maker.
6. Place an empty Thermal Carafe with Lid on the Base Plate. Switch the coffee maker ON and let all the water and vinegar solution flow through.
7. Discard the solution and paper filter.
8. After allowing the coffee maker to cool for 15 minutes, flush out all the traces of vinegar by pouring a Carafe full of cold water into the Water Reservoir. Make sure to insert a fresh filter into the Filter Basket before brewing and place the empty Thermal Carafe with Lid on the Base Plate. Switch the coffee maker ON and allow it to cycle through.
9. **At the end of the brew cycle, the coffee maker will automatically shut off. Discard water in the Thermal Carafe. Repeat steps 8-9. Unplug the coffee maker when finished.**



LIMITED ONE YEAR WARRANTY

Warranty: This Toastmaster® product is warranted to be free from defects in materials or workmanship for a period of (1) year from the original purchase date. This product warranty covers only the original consumer purchaser of the product.

Warranty Coverage: This warranty is void if the product has been damaged by accident in shipment, unreasonable use, misuse, neglect, improper service, commercial use, repairs by unauthorized personnel, normal wear and tear, improper assembly, installation or maintenance abuse or other causes not arising out of defects in materials or workmanship. This warranty is effective only if the product is purchased and operated in the USA, and does not extend to any units which have been used in violation of written instructions furnished with the product or to units which have been altered or modified or to damage to products or parts thereof which have had the serial number removed, altered, defaced or rendered illegible.

Implied Warranties: ANY IMPLIED WARRANTIES WHICH THE PURCHASER MAY HAVE ARE LIMITED IN DURATION TO ONE (1) YEAR FROM THE DATE OF PURCHASE. Some states do not allow limitations on how long an implied warranty lasts, so the above limitation may not apply to you.

Warranty Performance: During the above one-year warranty period, a product with a defect will be either repaired or replaced with a reconditioned comparable model (at our option) when the product is returned to the Repair Center, or the purchase price refunded. The repaired or replacement product will be in warranty for the balance of the one-year warranty period and an additional one-month period. No charge will be made for such repair or replacement.

Service and Repair: Should the appliance malfunction, you should first call toll-free 1 (800) 947-3744 between the hours of 9:00 am and 5:00 pm Central Standard Time and ask for CONSUMER SERVICE stating that you are a consumer with a problem. Please refer to model number TCM8TD when you call.

In-Warranty Service (USA): For an appliance covered under the warranty period, no charge is made for service or postage. Call for return authorization (1 800 947-3744).

Out-of Warranty Service: A flat rate charge by model is made for out-of-warranty service. Include \$10.00 (U.S.) for return shipping and handling. We will notify you by mail of the amount of the charge for service and require you to pay in advance for the repair or replacement.

For Products Purchased in the USA, but Used in Canada: You may return the product insured, packaged with sufficient protection, and postage and insurance prepaid to the USA address listed below. Please note that all customs duty / brokerage fees, if any, must be paid by you and we will require you to pay the cost of customs duty / brokerage fees to us in advance of our performing any service.

Risk During Shipment: We cannot assume responsibility for loss or damage during incoming shipment. For your protection, carefully package the product for shipment and insure it with the carrier. Be sure to enclose the following items with your appliance: any accessories related to your problem, your full return address and daytime phone number, a note describing the problem you experienced, a copy of your sales receipt or other proof of purchase to determine warranty status. C.O.D. shipments cannot be accepted.

To return the appliance, ship to:

Attn: Repair Center
Toastmaster Inc.
708 South Missouri Street
Macon, MO 63552
Email: consumer_relations@toastmaster.com
www.toastmaster.com

To contact us, please write to or call:

Toastmaster Inc.
P.O. Box 6916
Columbia, MO 65205-6916
1 (800) 947-3744

Limitation of Remedies: No representative or person is authorized to assume for us any other liability in connection with the sale of our products. There shall be no claims for defects or failure of performance or product failure under any theory of tort, contract or commercial law including, but not limited to negligence, gross negligence, strict liability, breach of warranty and breach of contract. Repair, replacement or refund shall be the sole remedy of the purchaser under this warranty, and in no event shall we be liable for any incidental or consequential damages, losses or expenses. Some states do not allow the exclusion or limitation of incidental or consequential damages, so the above limitation or exclusion may not apply to you.

Legal Rights: This warranty gives you specific legal rights, and you may also have other rights which vary from state to state.

Keep Dated Sales Receipt for Warranty Service.

Keep this booklet. Record the following for reference:

Date purchased _____

Model number _____

Date code (stamped on bottom) _____

EVERYBODY EATS. It's a fact of life.

But sometimes preparing
meals can become a chore.

That's why TOASTMASTER has been invited
into millions of kitchens just like yours

so we can HELP YOU MASTER your
mixing, baking, grilling, toasting,
brewing, heating and serving
tasks WITH EASE AND STYLE.

The TOASTMASTER name stands for a
CELEBRATION of INNOVATION designed
to serve your life and keep you
COOKIN' IN STYLE.



Contact Information

Coordonnées :

Contacte a:

Toastmaster Inc.

National Service Center
708 South Missouri Street
Macon, Mo 63552

In USA and Canada call:

Consumer Service: 1-800-947-3744

Consumer Parts: 1-800-947-3745

consumer_relations@toastmaster.com

Hours: 8:00 A.M. - 5:30 P.M. CST

Aux USA et au Canada, appeler les numéros suivants :

Service Consommateurs : 1-800-947-3744

Pièces Consommateurs : 1-800-947-3745

consumer_relations@toastmaster.com

Horaires : De 8h00 à 17h30, heure GMT - 6

En México:

Toastmaster de México, S.A. de C.V.

Cerrada de Recursos

Hidráulicos Número 6

La Loma Industrial

Tlalnepantla de Baz, C.P. 54060

Estado de México

52-5-397-2848

Horario: 8:00 a.m. hasta 5:30 p.m., hora del Centro

CONTACT US/APPELEZ



1-800-947-3744



www.toastmaster.com



consumer_relations@toastmaster.com

©2004 Toastmaster Inc.

A Subsidiary of Salton, Inc.

Subsidiare de Salton, Inc.

A una Subsidiaria de Salton, Inc.



toastmaster®

- Programmable LCD clock/timer
- Stainless Steel Thermal Carafe
- Auto Pause and Pour
- Cone Filter basket with Removable liner
- Auto Shut-off



Questions

Call toll free 1-800-947-3744

Monday – Friday, 8:00 a.m. - 5:30 p.m. CST

www.toastmaster.com

TCM8TD

Free Manuals Download Website

<http://myh66.com>

<http://usermanuals.us>

<http://www.somanuals.com>

<http://www.4manuals.cc>

<http://www.manual-lib.com>

<http://www.404manual.com>

<http://www.luxmanual.com>

<http://aubethermostatmanual.com>

Golf course search by state

<http://golfingnear.com>

Email search by domain

<http://emailbydomain.com>

Auto manuals search

<http://auto.somanuals.com>

TV manuals search

<http://tv.somanuals.com>