



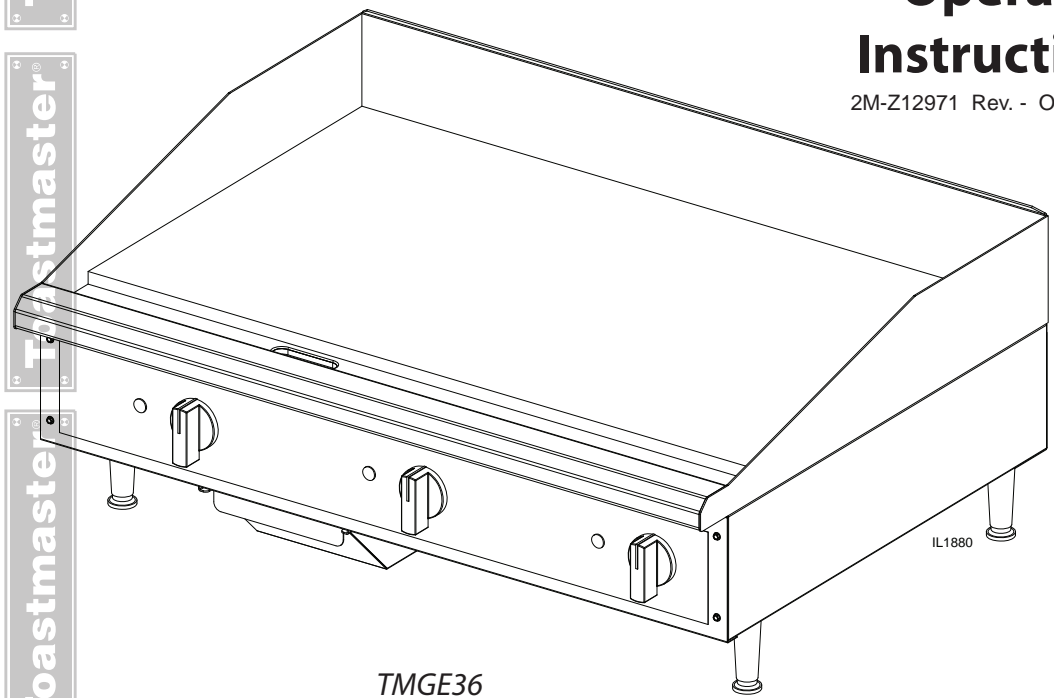
ELECTRIC GRIDDLES

MODEL

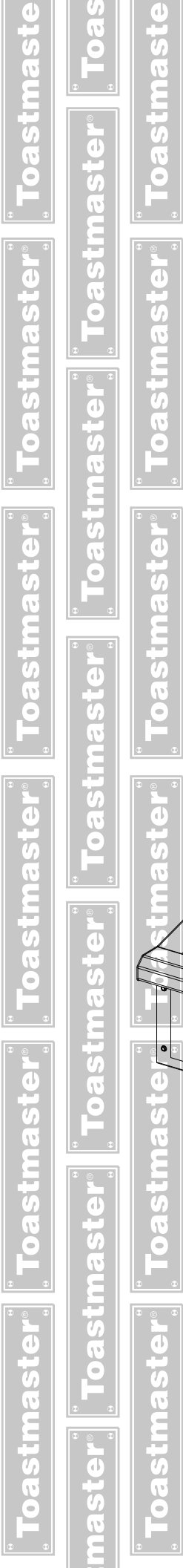
TMGE24, TMGE36, TMGE48

Installation and Operation Instructions

2M-Z12971 Rev. - Oct. 1, 2009



TMGE36



SAFETY SYMBOLS



These symbols are intended to alert the user to the presence of important operating and maintenance instructions in the manual accompanying the appliance.



RETAIN THIS MANUAL FOR FUTURE REFERENCE NOTICE

Using any part other than genuine Toastmaster factory supplied parts relieves the manufacturer of all liability.

Toastmaster reserves the right to change specifications and product design without notice. Such revisions do not entitle the buyer to corresponding changes, improvements, additions or replacements for previously purchased equipment.

Due to periodic changes in designs, methods, procedures, policies and regulations, the specifications contained in this sheet are subject to change without notice. While Toastmaster exercises good faith efforts to provide information that is accurate, we are not responsible for errors or omissions in information provided or conclusions reached as a result of using the specifications. By using the information provided, the user assumes all risks in connection with such use.

MAINTENANCE AND REPAIRS

Contact your local authorized service agent for service or required maintenance.

Please record the model number, serial number, voltage and purchase date in the area below and have it ready when you call to ensure a faster service.

Model No. _____

Serial No. _____

Voltage _____

Purchase Date _____

Authorized Service Agent Listing

Reference the listing provided with the unit

or

for an updated listing go to:

Website: www.toastmastercorp.com
E-mail Service@star-mfg.com
Telephone: (314) 678-6347

The Service Help Desk

Business Hours: 8:00 am to 4:30 p.m. Central Standard Time

Telephone: (314) 678-6347

Fax: (314) 781-2714

E-mail Parts@star-mfg.com
Service@star-mfg.com
Warranty@star-mfg.com

Website: www.star-mfg.com

Mailing Address: Toastmaster
10 Sunnen Drive
St. Louis, MO 63143
U.S.A



CAUTION

This equipment is designed and sold for commercial use only by personnel trained and experienced in its operation and is not sold for consumer use in and around the home nor for use directly by the general public in food service locations.

Before using your new equipment, read and understand all the instructions & labels associated with the unit prior to putting it into operation. Make sure all people associated with its use understand the units operation & safety before they use the unit.

All shipping containers should be checked for freight damage both visible and concealed. This unit has been tested and carefully packaged to insure delivery of your unit in perfect condition. If equipment is received in damaged condition, either apparent or concealed, a claim must be made with the delivering carrier.

Concealed damage or loss - if damage or loss is not apparent until after equipment is unpacked, a request for inspection of concealed damage must be made with carrier within 15 days. Be certain to retain all contents plus external and internal packaging materials for inspection. The carrier will make an inspection and will supply necessary claim forms.

INSTALLATION

The griddles are equipped for the voltage indicated on the nameplate mounted under the bullnose on the front panel. They will operate on alternating current (AC) only.



WARNING

DO NOT CONNECT TO DIRECT CURRENT (DC).

The installation of the electric griddle should conform to the:

NATIONAL ELECTRIC CODE AND ALL LOCAL ELECTRIC CODES AND ORDINANCES AND THE LOCAL ELECTRIC COMPANY RULES AND REGULATIONS

For your protection we recommend that a qualified electrician install this griddle. He should be familiar with electrical installations and all electric codes. Proper connections and power supply are essential for efficient performance. The external wiring should be in conduit or an approved type of flexible cable suitable for operation at the temperature indicated on the wiring diagram, and of a proper size to carry the load. The supply circuit should be properly fused and equipped with a means of disconnecting, as required by local electrical code. **THE BODY OF THE GRIDDLE SHOULD BE GROUNDED (DO NOT GROUND TO A GAS SUPPLY LINE).**

GENERAL OPERATING PROCEDURES

The Toastmaster series electric griddles may be wired for operation in the field for either 1-phase or 3-phase power supplies by making line connections at the junction box(es) located at the rear of the unit. Model TMGE36 should be wired for 3-phase power supply only. Two junction boxes are provided on the TMGE48 for making line connections. These may be connected in parallel to one 16KW 3-phase line or on two separate 8KW lines.

CONNECTING POWER SUPPLY

Detach cover on junction box at rear of unit. There are pigtail leads for the supply connection in the junction box.

LOCATING AND LEVELING THE UNIT

Do not install the unit closer than 1-inch from a side wall and/or closer than 1-inch from a rear wall. Level unit by adjusting the (4) feet which have an adjustment of 1-3/4" (43.75mm) for accurate leveling and perfect line-up with other Star-Max series units.

SEASONING THE GRIDDLE HEATING SURFACE (NON CHROMIUM SURFACE)

Clean the griddle surface thoroughly. After the griddle has been thoroughly cleaned, it should be seasoned to prevent food from sticking. Before using and after each thorough scouring, season the griddle heating surface in the following manner.

1. Turn temperature control dials to 350°F (177°C).
2. Using a clean cloth, not a spatula, spread a thin film of cooking oil over the griddle cooking surface. This film should remain on the hot griddle surface for half an hour.
3. Remove the excess oil and wipe clean.
4. Apply another film of cooking oil over the hot cooking area for another half hour and again remove excess oil and wipe clean. The griddle surface should now be ready for use.

Even with careful seasoning, food may, to some extent, stick to the griddle cooking surface until the griddle plate is broken in.

TEMPERATURE CONTROL

The temperature controls are combination "ON/OFF" switches and thermostats. Turning the dial knob automatically maintains the selected heat range.

The Toastmaster electric griddle line has one thermostat for every 12" (30cm) section of griddle that operates independently of one another. Each thermostat controls the section of the griddle above it and may be set at different temperatures as desired.

COOKING

Set the thermostat dial knob at the temperature desired. After a short pre-heating period, the thermostat will automatically maintain the selected temperature.

IDLING

During idle periods, to save on operating costs, lower the temperature setting of the thermostat to about 250°F (121°C). It is not necessary to maintain cooking temperature during idle periods, as the griddle can quickly be reheated to the desired temperature.

SIGNAL LIGHTS

Each thermostat has its own signal light which indicates when the unit's control knob is not in the off position.

GRIDDLE CARE (NON-CHROMIUM SURFACES)

It takes very little time and effort to keep the griddle attractive and performing at top efficiency. If grease is permitted to accumulate, it will form a gummy cake and then carbonize into a hard substance which is extremely difficult to remove. To prevent this condition, the following suggestions for cleanliness should be followed:

1. After each use, scrape the griddle with a scraper or flexible spatula to remove excess grease and food. A waste drawer is provided for the scrapings. If there is an accumulation of burned on grease and food, the griddle should be thoroughly scoured and reseasoned. Use pumice or griddle stone while the griddle is warm. Do not use steel wool because of the danger of steel slivers getting into the food.
2. Daily, use a clean cloth and a good non-abrasive cleaner to clean the stainless steel body of the griddle. Wipe the polished front with a soft cloth.
3. At least once a day, remove the waste drawer and wash in the same way as an ordinary cooking utensil. The drawers are removed by pulling forward until they are released from their track.



Warranty Statement

Toastmaster warrants equipment that it manufactures to be free from defects in material and workmanship. Toastmaster's obligation is limited to repairing or replacing, at Toastmaster's option, without cost to the customer, any part found to be defective, as well as any labor or material expense required to replace the part.

Length of Warranty

This warranty is effective for a period of 12 months from the date the equipment is placed in service.

Exceptions

- This warranty is valid only for the original end user owner/operator of the equipment.
- This warranty does not apply to normal maintenance functions, including (but not limited to) improper operation, installation or the use of an improper utility supply.
- This warranty is valid only if the equipment is used in a commercial setting. The equipment is designed and constructed for commercial use by trained professionals only. Any use of the equipment in private or domestic applications immediately voids this warranty.
- This warranty does not apply to any parts, labor and material expenses for service that is not pre-approved and performed by a Toastmaster authorized service agent. Any such service immediately voids this warranty.
- This warranty does not apply to any parts, labor and material expenses associated with the installation of parts that are not factory-approved for use in the equipment. Any use of such parts immediately voids this warranty.
- This warranty is not valid if terms of payment have not been met.

Parts Warranty

Parts that are sold to repair our of warranty equipment are warranted for ninety (90) days. The part only is warranted, the labor to replace the parts is NOT warranted.

Portable Equipment

Toastmaster will not honor service bills that include travel time and mileage charges for servicing any products considered "Portable". These products should be taken to the Service Agency for repair.


A portable unit is a unit that's designed to sit on a countertop, has a powercord & is less than 50lbs installed.

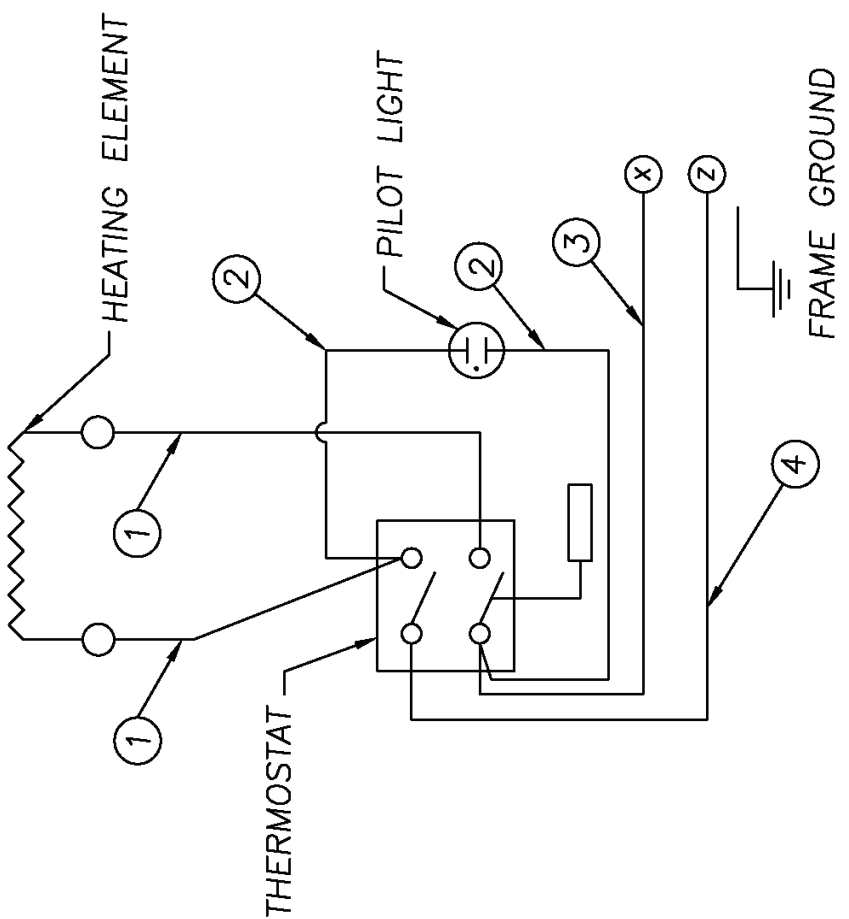
Toastmaster reserves the right to change the design and specifications of this equipment or any related documentation at any time. The end user is not entitled to upgrades resulting from these changes.

This warranty is exclusive and supersedes all other warranties for the equipment, both expressed and implied. There are no implied warranties of merchantability or of fitness for a particular purpose.

The foregoing is Toastmaster's sole and exclusive obligation and the end user sole and exclusive remedy for any action including breach of contract or negligence. In no event shall Toastmaster be liable for a sum in excess of the purchase price of the equipment, or for any prospective or lost profits of the end user.

 is a registered trademark of Toastmaster, A Middleby Company. All rights reserved.

 STAR MANUFACTURING INTERNATIONAL INC. #10 SUMNER DRIVE, ST. LOUIS, MO. 63143, USA		MATERIAL FINISH		MODEL NO. 515TGD		PART NO. SK 1925	
DR. TH	CK.	DATE	TITLE WIRING DIAGRAM 15" ELEC. GRIDDLE		LTR	DATE	DESCRIPTION OF CHANGE DR
TOLERANCES UNLESS OTHERWISE NOTED FRACTIONS ±1/64 DECIMALS ±.005 ANGLES ±1°		THIS DRAWING CONTAINS INFORMATION CONFIDENTIAL TO STAR MFG. INT'L INC. NO REPRODUCTION OR DISCLOSURE OF ITS CONTENTS IS PERMITTED.					
NOMINAL AMPS PER LINE WIRE		NOTE: 1) FOR SUPPLY CONNECTIONS USE COPPER WIRE ONLY, SUITABLE FOR AT LEAST 90°C (194°F). USE GAUGE SHOWN OR LARGER. 2) ALL INTERNAL WIRING IS #14 GA.					
3.004 WATTS	4.000 WATTS						
208V-1 PHASE	240V-1 PHASE						
14.44	16.66						
AWG #14	AWG #14						





#10 SUNNEN DRIVE, ST. LOUIS, MO. 63143, USA

DR. RDL CK. DATE 09-01-2009

TOLERANCES UNLESS OTHERWISE NOTED
FRACTIONS ±1/64 DECIMALS ±.005 ANGLES ±1°

NOMINAL AMPS PER LINE WIRE

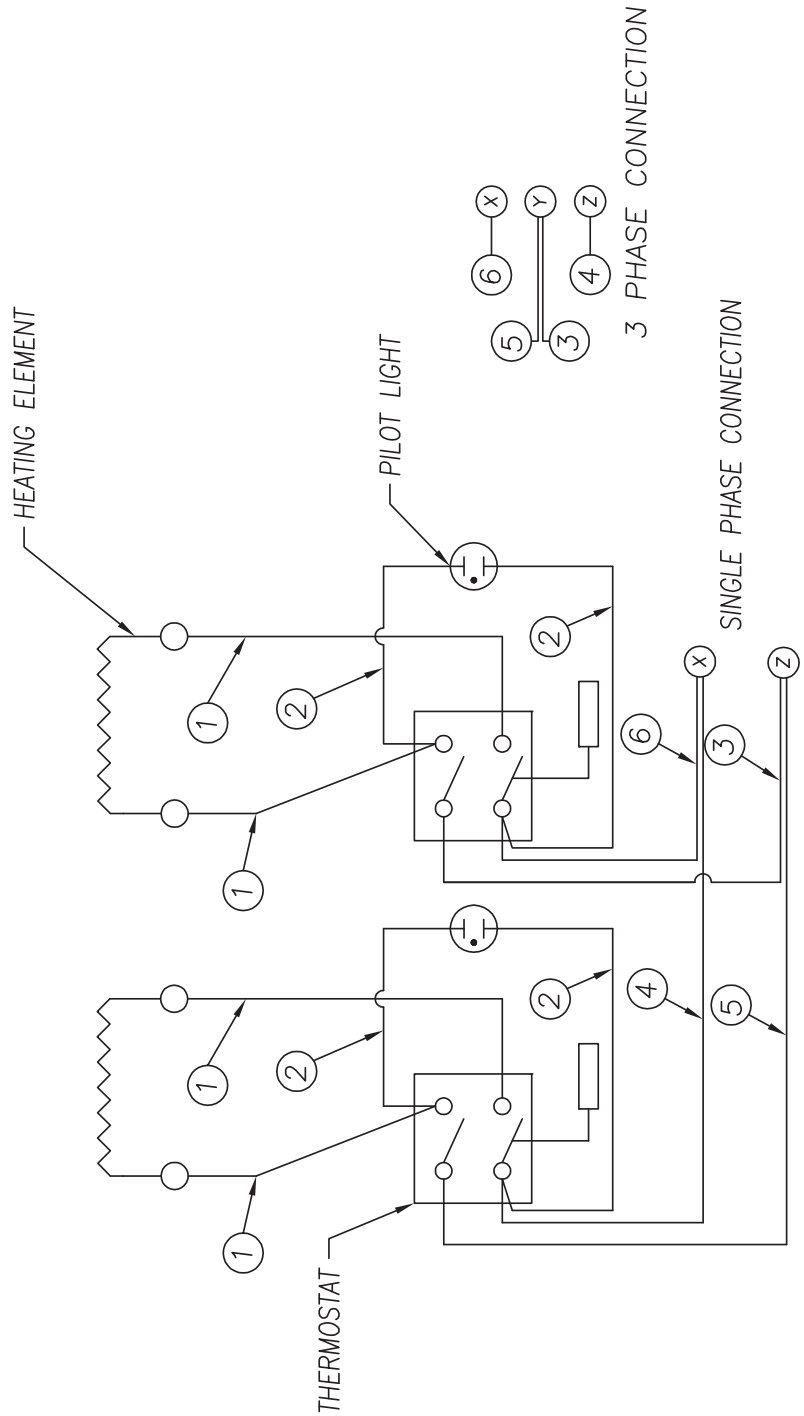
208V-3 PHASE		240V-3PHASE		208V	240V
6008 WATTS		8000 WATTS		1 PH	1 PH
X	Y	Z	X	Y	Z
14.44	24.98	14.44	16.66	28.88	33.3
AWG #16	AWG #12	AWG #16	AWG #14	AWG #10	AWG #8

NOTE:

- 1) FOR SUPPLY CONNECTIONS USE COPPER WIRE ONLY, SUITABLE FOR AT LEAST 90°C (194°F). GAUGE SHOWN IS A MINIMUM REQUIREMENT.
- 2) ALL INTERNAL WIRING IS #14 GA.

MODEL NO. TMGE24		PART NO. SK 1926-1	
TITLE WIRING DIAGRAM 24" ELEC. GRIDDLE		LTR	DATE
REVISIONS	DESCRIPTION OF CHANGE	DR	

THIS DRAWING CONTAINS CONFIDENTIAL INFORMATION
NO REPRODUCTION OR DISCLOSURE OF ITS CONTENTS IS PERMITTED.





#10 SUNNEN DRIVE, ST. LOUIS, MO. 63143, USA

DR. RDL CK. DATE 09/01/2009

TOLERANCES UNLESS OTHERWISE NOTED
FRACTIONS ±1/64 DECIMALS ±.005 ANGLES ±1°

NOMINAL AMPS PER LINE

208V-3 PHASE 240V-3PHASE

9,012 WATTS		12,000 WATTS			
X	Y	Z	X	Y	Z
25.0	25.0	25.0	28.9	28.9	28.9
AWG #12		AWG #10			

NOTE:

- 1) FOR SUPPLY CONNECTIONS USE COPPER WIRE ONLY, SUITABLE FOR AT LEAST 90°C (194°F). USE GAUGE SHOWN OR LARGER.
- 2) ALL INTERNAL WIRING IS #14 GA.

THIS DRAWING CONTAINS CONFIDENTIAL INFORMATION
NO REPRODUCTION OR DISCLOSURE OF ITS CONTENTS IS PERMITTED.

REVISIONS LTR DATE DESCRIPTION OF CHANGE DR

MATERIAL

FINISH

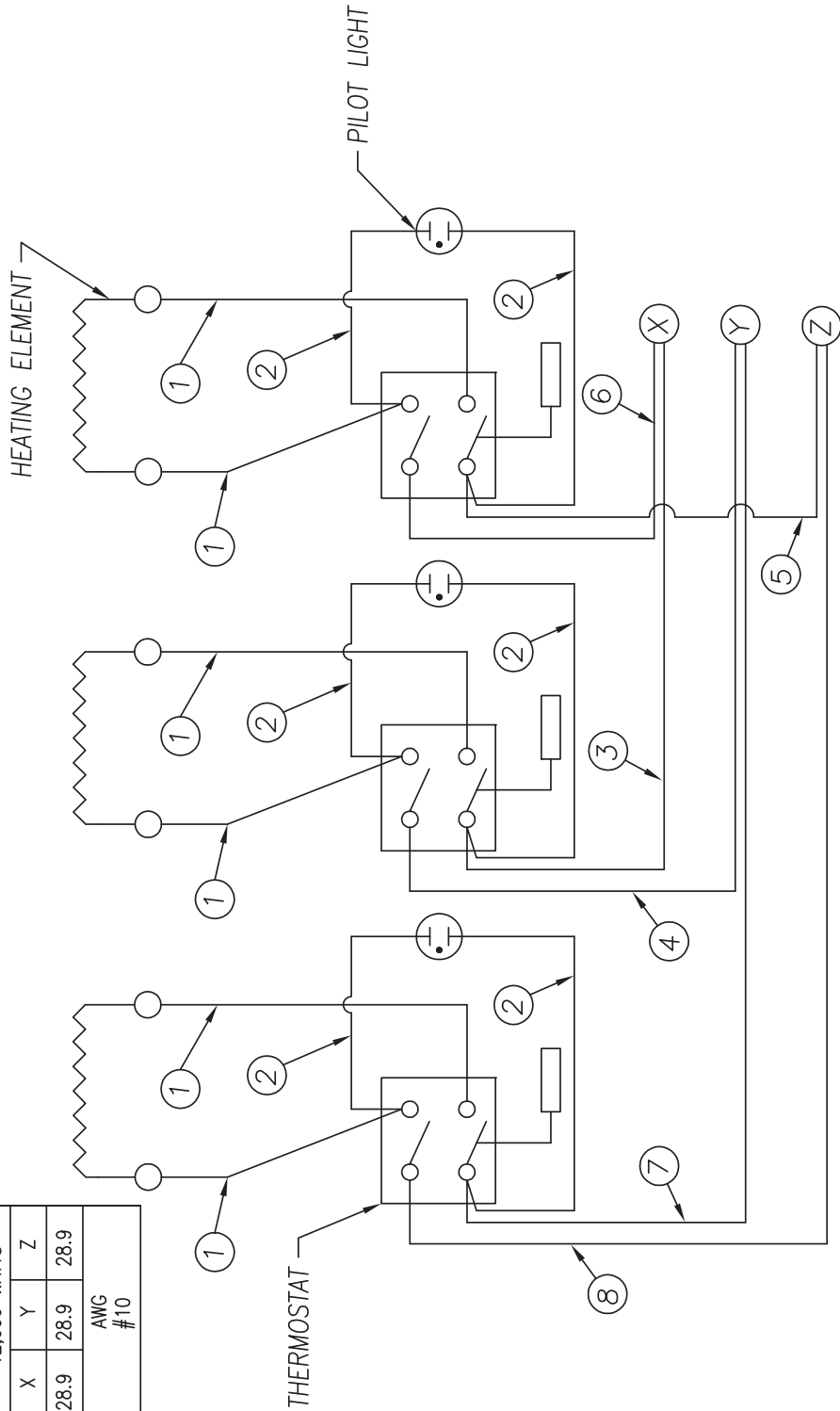
MODEL NO.

TMGE36

PART NO.

SK1927-1

TITLE WIRING DIAGRAM 36" ELEC. GRIDDLE





10 SUNNEN DRIVE, ST. LOUIS, MO. 63143, USA

MATERIAL

MODEL NO.

TMGE48

PART NO.

SK1928-1

FINISH

TITLE WIRING DIAGRAM 48" ELEC. GRIDDLE

DR. RDL

CK.

DATE 09/01/2009

REVISIONS

LTR

DATE

DESCRIPTION OF CHANGE

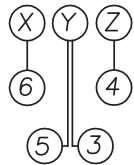
DR

TOLERANCES UNLESS OTHERWISE NOTED
FRACTIONS ±1/64 DECIMALS ±.005 ANGLES ±1°

THIS DRAWING CONTAINS CONFIDENTIAL INFORMATION
NO REPRODUCTION OR DISCLOSURE OF ITS CONTENTS IS PERMITTED.

THREE PHASE PARALLEL SUPPLY						SINGLE PHASE DUAL SUPPLY					
208			240			VOLTAGE		208		240	
12,016			16,000			RATED WATTAGE		6,008	6,008	8000	8000
X	Y	Z	X	Y	Z	PHASE		X-Y	X-Y	X-Y	X-Y
38.2	38.2	25	44.2	44.2	29	NOMINAL AMPS PER LINE		28.88	28.88	33.3	33.3
AWG #6	AWG #6	AWG #8	AWG #6	AWG #6	AWG #8	FOR SUPPLY USE WIRE SIZE SHOWN OR LARGER		AWG #10	AWG #10	AWG #8	AWG #8

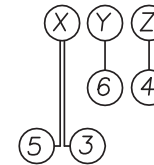
3 PHASE CONNECTION



NOTE:

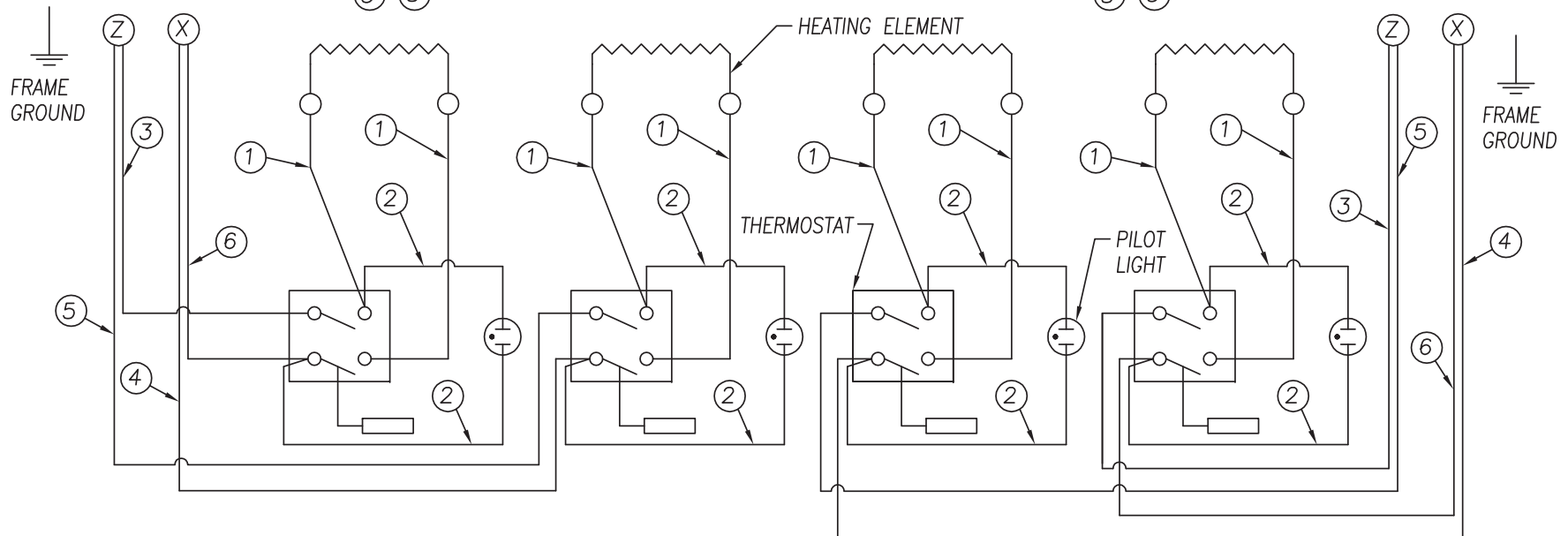
- 1) FOR SUPPLY CONNECTIONS USE COPPER WIRE ONLY, SUITABLE FOR AT LEAST 90°C (194°F). USE WIRE GAUGE SHOWN OR LARGER.
- 2) ALL INTERNAL WIRING IS #14 GA.

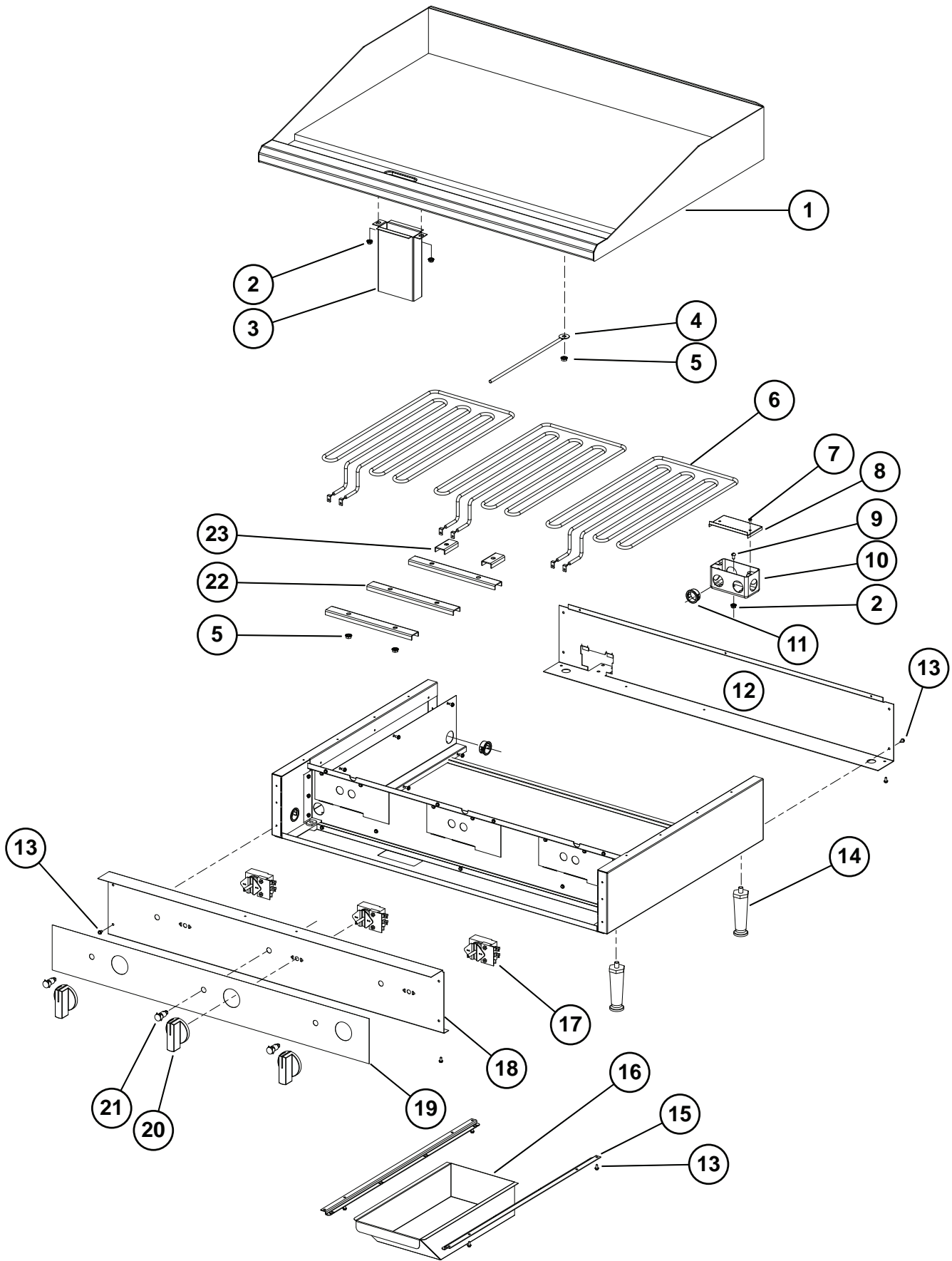
3 PHASE CONNECTION



SINGLE PHASE CONNECTION

SINGLE PHASE CONNECTION





MODEL: TMGE24, TMGE36, TMGE48
Electric Griddles



SK2432

REV -

8/31/09

PARTS LIST

September 6, 2013, Rev. -

MODEL TMGE24, TMGE36, TMGE48 Toastmaster Electric Griddle

Fig No	Part No	Qty	Description	Application
1	G4-TC0083	1	TOP WELDMENT W/ STUDS	TMGE24
	G4-TC0084		TOP WELDMENT 36"	TMGE36
	G4-TC0085		TOP WELDMENT 48"	TMGE48
2	2C-Z2893	4	NUT 10-24 HEX STL ZP	ALL
3	G3-624304	1	GREASE CHUTE ASSEMBLY	TMGE24, TMGE36
4	G3-GD0036	2	TUBE-WASHER ASSY.	TMGE24
		3		TMGE36
		4		TMGE48
5	2C-6517	18	NUT 1/4-20 HEX STL NP	TMGE24
		24		TMGE36
		34		TMGE48
6	2N-Z5948	2	ELEMENT	TMGE24
		3		TMGE36
		4		TMGE48
7	2C-1488	2	SCREW 6-32X3/8 RHP STL NP	ALL
8	G3-Y7788	1	COVER, HANDY BOX	ALL
9	2C-1512	2	SCREW 10-24X3/8 RHP STL	ALL
10	2E-Y7327	1	HANDY BOX 4X2.125X2.125	TMGE24, TMGE36
		2		TMGE48
11	2K-Z6183	3	BUSHING 1.125	TMGE24, TMGE36
		6		TMGE48
12	G3-Z5952	1	REAR PANEL, 24"	TMGE24
	G3-Z5954		REAR PANEL, 36"	TMGE36
	G3-Z5956		REAR PANEL, 48"	TMGE48
13	2C-8833	43	SCREW 8-18X1/2 HEX STL NP	TMGE24
		51	SCREW 8-18X1/2 HEX STL NP	TMGE36
		56	SCREW 8-18X1/2 HEX STL NP	TMGE48
14	2A-Z0314	4	FOOT, 4 IN DIE CAST	ALL
15	G3-Z6036	2	DRAWER SLIDE	ALL
16	G3-Y7046	1	GREASE DRAWER GRIDDLE	ALL
17	2T-Z5958	2	THERMOSTAT	TMGE24
		3		TMGE36
		4		TMGE48
18	G3-Z5911	1	FRONT PANEL 24"	TMGE24
	G3-Z5921		FRONT PANEL 36"	TMGE36
	GE-Z5931		FRONT PANEL 48"	TMGE48
19	2M-Z12933	1	GRAPHIC PANEL, 24" GRID EL	TMGE24
	2M-Z12934		GRAPHIC PANEL, 36" GRID EL	TMGE36
	2M-Z12935		GRAPHIC PANEL, 48" GRID EL	TMGE48
20	2R-Z13016	2	KNOB, T-STAT ELEC.	TMGE24
		3		TMGE36
		4		TMGE48

**IMPORTANT: WHEN ORDERING, SPECIFY VOLTAGE OR TYPE GAS DESIRED
INCLUDE MODEL AND SERIAL NUMBER**

Some items are included for illustrative purposes only and in certain instances may not be available.

PAGE 1
OF 2

Toastmaster is a registered trademark of Toastmaster, A Middleby Company. All rights reserved.

PARTS LIST

September 6, 2013, Rev. -

MODEL TMGE24, TMGE36, TMGE48 Toastmaster Electric Griddle

Fig No	Part No	Qty	Description	Application
21	2J-Y6690	2	PILOT LIGHT 240V	TMGE24
		3		TMGE36
		4		TMGE48
22	G3-Z5972	6	ELEMENT CLAMP LONG	TMGE24
		9		TMGE36
		12		TMGE48
23	G3-Z5973	4	ELEMENT CLAMP SHORT	TMGE24
		6		TMGE36
		8		TMGE48

**IMPORTANT: WHEN ORDERING, SPECIFY VOLTAGE OR TYPE GAS DESIRED
INCLUDE MODEL AND SERIAL NUMBER**

PAGE 2
OF 2

Some items are included for illustrative purposes only and in certain instances may not be available.

 is a registered trademark of Toastmaster, A Middleby Company. All rights reserved.

Free Manuals Download Website

<http://myh66.com>

<http://usermanuals.us>

<http://www.somanuals.com>

<http://www.4manuals.cc>

<http://www.manual-lib.com>

<http://www.404manual.com>

<http://www.luxmanual.com>

<http://aubethermostatmanual.com>

Golf course search by state

<http://golfingnear.com>

Email search by domain

<http://emailbydomain.com>

Auto manuals search

<http://auto.somanuals.com>

TV manuals search

<http://tv.somanuals.com>