

READ AND SAVE THESE INSTRUCTIONS

WARNING: A risk of fire and electrical shock exists in all electrical appliances and may cause personal injury or death. Please follow all safety instructions.



GLOBAL DESIGN

Egg Cooker

Use and Care Guide

Model 6504U

IMPORTANT SAFEGUARDS

When using electrical appliances, basic safety precautions should always be followed to reduce the risk of fire, electric shock and injury to persons, including the following:

- Read all instructions before using egg cooker.
- Do not touch hot surfaces. Use handles and knobs.
- This egg cooker is not for use by children.
- Close supervision is necessary when any appliance is used near children.
- Do not operate unattended.
- Unplug from outlet when not in use, before putting on or taking off parts and before cleaning.
- To disconnect, switch off, then remove plug from power supply.
- Do not place any cord, plug or body of this egg cooker under water or other liquid. See instructions for cleaning.
- Do not operate any damaged appliance. Do not operate with a damaged cord or plug or after the egg cooker malfunctions, or has been dropped or damaged in any manner. Return egg cooker to the nearest authorized service facility for examination, repair or mechanical adjustment.
- Use attachments only if recommended by Toastmaster Inc.
- Do not use outdoors or when standing in damp area.
- Do not use egg cooker for other than intended use.
- Do not let cord hang over edge of table or counter or touch hot surfaces.
- Do not place on or near a hot gas or electric burner, or in a heated oven.
- Extreme care must be taken when moving an egg cooker containing hot water.

SAVE THESE INSTRUCTIONS

THIS PRODUCT IS FOR HOUSEHOLD USE ONLY

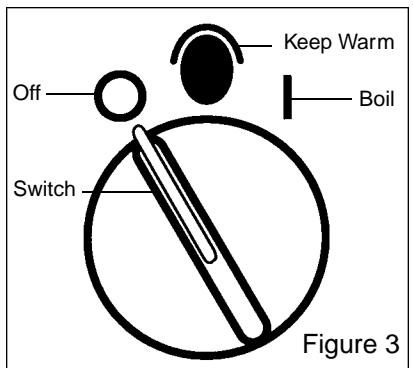
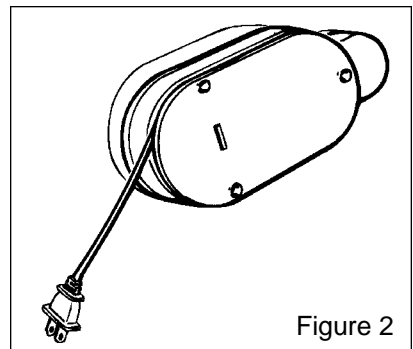
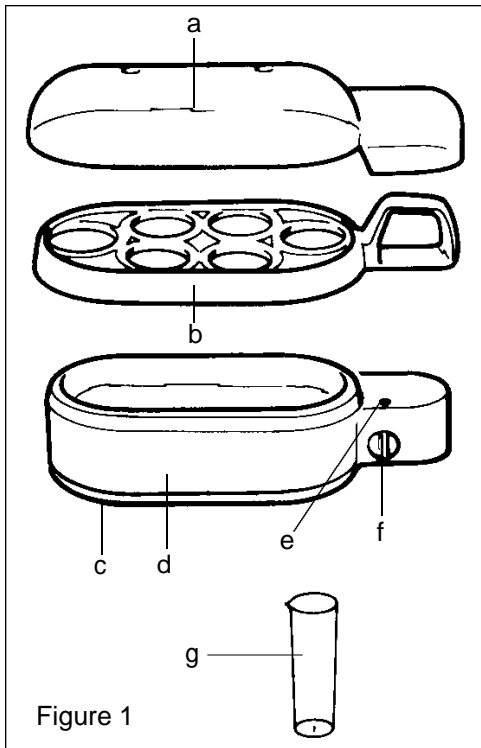
CAUTION: A short power supply cord is provided to reduce the risk of personal injury resulting from becoming entangled in or tripping over a longer cord. If a longer cord is required, extension cords are available from local hardware stores and may be used if care is exercised in their use. If an extension cord is used, (1) the marked electrical rating of the extension cord should be at least 10 A., 125 V.,

1250 W., and (2) the longer cord should be arranged so that it will not drape over the counter top or tabletop where it can be pulled on by children or tripped over accidentally.

POLARIZED PLUG: This appliance has a polarized plug, (one blade is wider than the other), as a safety feature to reduce the risk of electric shock. This plug is intended to fit in a polarized outlet only one way. If the plug does not fit fully in the outlet, reverse the plug. If it still does not fit, contact a qualified electrician to replace the obsolete outlet. Do not attempt to defeat this safety feature.

Thank You for purchasing this Toastmaster appliance.

Featuring superior technology and craftsmanship, the Global Design Collection is an exceptional line of kitchen appliances. The egg cooker's state-of-the-art design is matched only by its excellent performance. Enjoy!



GETTING TO KNOW YOUR EGG COOKER

Figure 1 Egg Cooker

- a. Cover
- b. Egg holder
- c. Cord storage
- d. Base with stainless steel bowl
- e. Indicator light
- f. Power selector switch
- g. Measuring cup with egg

Figure 2 Cord storage

Figure 3 Power selector switch

USING YOUR EGG COOKER

Cooking time will vary with egg size. The average cooking times are as follows:

Soft 6-8 minutes

Medium 9-11 minutes

Hard 16-20 minutes

CAUTION: Egg cooker will become hot with use and produce steam. Caution should be used to avoid coming in contact with hot steam.

NOTE: Keep eggs refrigerated until ready to use.

1. Turn power selector switch to O (Off) position, see figure 3.
2. Remove the cover by grasping small end and lifting up. Remove the egg holder using the handle.
3. Unwrap cord to the required length.

NOTE:The measuring cup has three main divisions: soft, medium, and hard. Each division has markings for a specific number of eggs to be cooked. These amounts are approximate. They may be varied according to personal taste and preference. The basic rule is: fewer eggs, more water.

4. Use the measuring cup to measure the proper amount of cold water for boiling eggs and pour water into the stainless steel bowl of the base.


NOTE: If your water is hard, add 1/2 teaspoon white vinegar to the water in order to help avoid mineral deposits.

5. Pierce eggs to help avoid cracking while cooking. Place egg(s) in egg holder on the base, large end up. Put the bottom of the measuring cup on top of each egg and press until the egg has been pierced. Make sure the pierced end of the egg is at the top to cook.
6. Place the cover on the base.
7. Plug into a 120V ~ 50-60 Hz outlet. Do not allow anything to rest on the cover.
8. Turn the power selector switch to I (Boil). The indicator light will come on and the water will begin to heat. Do not remove cover from the base while eggs are cooking.
9. When the buzzer sounds, the cooking cycle is complete. Turn the switch to O (Off).
10. Unplug from outlet.
11. Carefully remove cover slowly by grasping small end and lifting up.
12. Remove the egg holder with the cooked eggs using the handle. Hold the eggs in the egg holder under cold water for about 30 seconds to prevent them from further cooking.
13. Allow egg cooker to cool before discarding any remaining water from the base.
14. Clean after each use. Refer to CLEANING INSTRUCTIONS.

USING THE KEEP WARM FEATURE

NOTE: The Keep Warm feature should only be used for short periods of time and only for eggs that have previously been cooked. To prevent the eggs from being overcooked, use the eggs as soon as possible.

1. After the eggs have completed their cooking cycle, turn to O (Off) and unplug from outlet.
2. Remove cover by grasping small end and lift up.
3. Remove egg holder with eggs using handle and carefully pour out any water left in the bowl of the base.
4. Place the egg holder with the eggs back onto the base and put the cover on.

5. Plug into 120V ~ 50-60 Hz outlet.
6. Turn power selector switch to  (Keep Warm).
7. When finished, turn the power selector switch to O (Off).
8. Unplug from outlet.
9. Carefully remove cover slowly by grasping small end and lifting up.
10. Remove egg holder with cooked eggs using the handle.
11. Allow egg cooker to cool before cleaning.
12. Clean thoroughly after each use. Refer to CLEANING INSTRUCTIONS.

CLEANING INSTRUCTIONS

1. Turn power selector switch to O (Off) and unplug from outlet. Allow to cool completely before cleaning.
2. Mineral deposits may form on the inside of the bowl of the base. The bowl is made of stainless steel and therefore levels of deposits can usually be easily removed by using a soft cloth.
3. If necessary, pour 2 tablespoons of vinegar into the bowl and allow to stand for 5 minutes.

NOTE: Do not boil the vinegar in the egg cooker as it may damage the appliance.

4. Discard the vinegar and rinse.
5. To rinse, pour 1/4 cup water into bowl and discard.
6. The exterior of the egg cooker base may be cleaned with a damp cloth. Dry thoroughly.
7. The cover and the egg holder may be placed on the top rack of your dishwasher for cleaning or may be washed and dried thoroughly by hand.
8. Do not use abrasive cleaners that can scratch the surface.

CORD STORAGE

1. Follow cleaning instructions.
2. Wrap cord around base for storing (see figure 2).
3. Store with measuring cup inside for future use.

SERVICE INFORMATION

Please refer to warranty statement to determine if in-warranty service applies.

This appliance must be serviced by Toastmaster authorized service center. Unauthorized service will void warranty. Consult your phone directory under "Appliances-Household-Small-Service and Repair," or call 1-800-947-3744 in the United States and Canada, 52-5-397-2848 in Mexico.

If an authorized service center is not available locally, your appliance may be returned postage prepaid to our National Service Center at the address shown on the back of this book.

Products must be adequately protected to avoid shipping damage. Surround your appliance with three inches of protective padding and include a note explaining the problem you have experienced. We recommend insuring your package. No CODs accepted.

ONE YEAR LIMITED WARRANTY

Toastmaster Inc. warrants this product, to original purchaser, for one year from purchase date to be free of defects in material and workmanship.

This warranty is the only written or express warranty given by Toastmaster Inc. This warranty gives you specific legal rights. You may have other rights which vary from state to state. ANY OTHER RIGHT WHICH YOU MAY HAVE, INCLUDING ANY IMPLIED WARRANTY OF MERCHANTABILITY OR FITNESS FOR A PARTICULAR PURPOSE IS LIMITED IN DURATION TO THE DURATION OF THIS WARRANTY.

Defective product may be brought or sent (freight prepaid) to an authorized service center listed in the phone book, or to Service Department, Toastmaster Inc., 708 South Missouri St., Macon, MO 63552 for free repair or replacement at our option.

Your remedy does not include: cost of inconvenience, damage due to product failure, transportation damages, misuse, abuse, accident or the like, or commercial use. IN NO EVENT SHALL TOASTMASTER INC. BE LIABLE FOR INCIDENTAL OR CONSEQUENTIAL DAMAGES.

Some states do not allow limitations on how long an implied warranty lasts, or allow the exclusion or limitation of incidental or consequential damages, so the above limitations or exclusions may not apply to you.

For information, write Consumer Claims Manager, at the Macon address. Send name, address, zip, telephone area code and daytime number, model, serial number, and purchase date.

KEEP DATED SALES RECEIPT FOR WARRANTY SERVICE.

Keep this booklet. Record the following for reference:

Date purchased _____

Model number _____

Date code (stamped on bottom) _____

Toastmaster Inc.

National Service Center
708 South Missouri St.
Macon, MO 63552

In USA and Canada call:

Consumer Service 1-800-947-3744

Consumer Parts 1-800-947-3745

Hours: 8:00 a.m. - 4:30 p.m. CST

Aux E.-U. et au Canada, veuillez appeler

Service consommateur : 1-800-947-3744

Pièces détachées consommateur : 1-800-947-3745

Heures ouvrables : 8 h - 16 h 30 Heure Centrale

En México - 52-5-397-2848

Horario: 8:00 a.m. hasta 4:30 p.m., hora del Centro

Toastmaster de México, SA de CV

Cerrada de Recursos

Hidráulicos Numero 6

La Loma Industrial

Tlalnepantla de Baz, C.P. 54060

Estado de México

CONTACT US/APELEZ



1-800-947-3744



www.toastmaster.com



consumer_relations@toastmaster.com

PART NO. 32727P01

FOR SPANISH SECTION ONLY

ESPECIFICACIONES TECNICAS

Potencia Nominal (Watts)

400 W

Tension de Alimentación o Tensión Nominal (Volts)

127 V ~

Frecuencia de Operación o Frecuencia Nominal (Hertz)

60 Hz

Free Manuals Download Website

<http://myh66.com>

<http://usermanuals.us>

<http://www.somanuals.com>

<http://www.4manuals.cc>

<http://www.manual-lib.com>

<http://www.404manual.com>

<http://www.luxmanual.com>

<http://aubethermostatmanual.com>

Golf course search by state

<http://golfingnear.com>

Email search by domain

<http://emailbydomain.com>

Auto manuals search

<http://auto.somanuals.com>

TV manuals search

<http://tv.somanuals.com>