



E17UAC-INS-20

Aluminum Full Size Insulated Heater / Proofer



SIZE:

E17UAC-INS-20

67-1/2" High, 27-5/8" Wide, 31-5/8" Deep

1715 mm High, 702 mm Wide, 804 mm Deep

Toastmaster's E17UAC-INS-20 - In locations where cabinets will be used primarily for holding with infrequent serving applications (gauged by door openings) or in situations with limited start-up budgets, the non-insulated cabinet would satisfy most requirements. In higher volume operations with more frequent serving applications the insulated cabinet would be the better choice as it delivers a faster recovery and greater consistency of temperature.

CONSTRUCTION:

- Aluminum construction
- Removable heating console
- Fully Insulated
- Removable universal pan slides

CONTROLS:

- Mechanical controls

LABORATORY CERTIFICATION AND APPROVAL



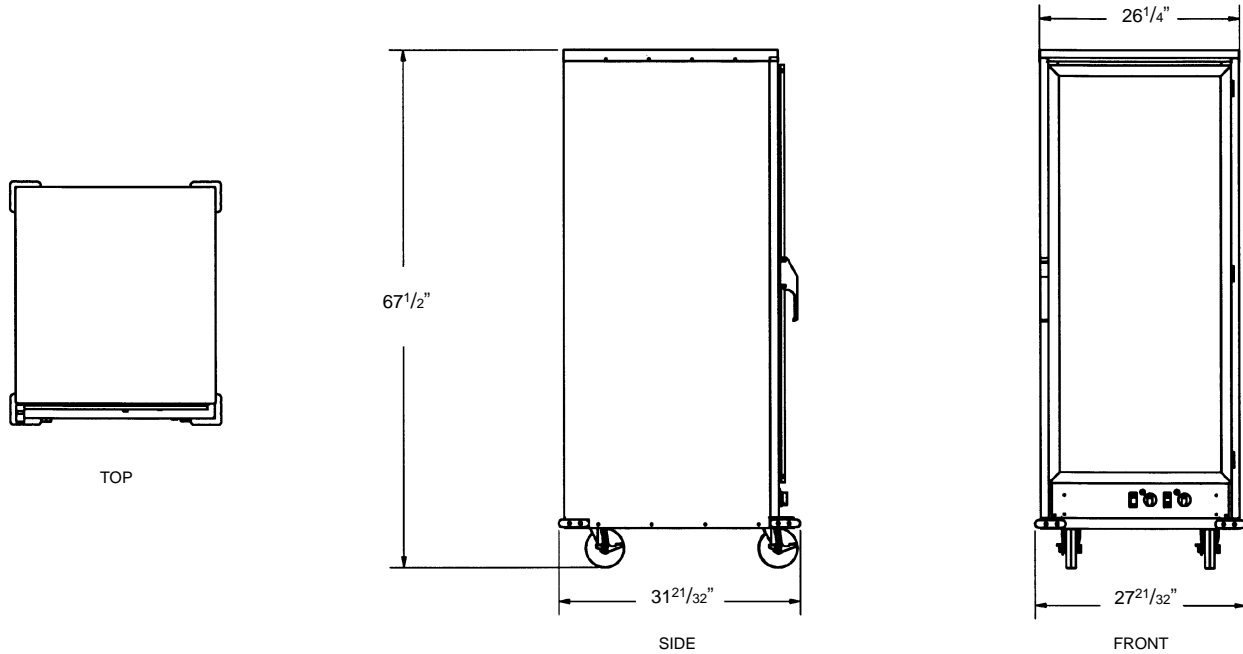
STANDARD FEATURES:

- Air baffle and circulation air blower provide even heat distribution
- Aluminum construction
- Insulated
- Set of 5" swivel casters with brakes
- Polycarbonate door
- Lift-off door

OPTIONAL FEATURES:

- Push handle
- Solid door (order as E17UAC-INS-SD-20)
- Also available in 15 amps.
Model # E17UAC-INS-15
12.5 amps - NEMA 5-15P

E17UAC-INS-20 Aluminum Full Size Insulated Heater / Proofer



SPECIFICATIONS:

SERVICE CONNECTIONS:

- Unit provided with 6 foot detachable cord and plug.
- Removable console consisting of blower, three-way toggle switch, running lights to indicate heater (holding) or proofing mode, stainless steel water reservoir.
- Element controlled by 180 degrees thermostat. 1700 Watts in heating mode. 1700 Watts in proofing mode.

ELECTRICAL:

Amp Draw	120/1	208/3	240/1	240/3
	14	n/a	n/a	n/a

LISTINGS:

The E17UAC-INS-20 has C-ETL-US and NSF listings.



CAPACITY:

Heater/Proofer	18"x26" Full Size Sheet Pans	12"x20"x2-1/2" Food Service Pans	18"x26" Full Size Sheet Pans
	17	34	34
Spacing	3"	3"	3"

DIMENSIONS:

	Height	Width	Depth
Exterior	67-1/2"	27-5/8"	31-5/8"
Interior	52-1/2"	21-3/8"	27"

DOOR SWING:

- Door swings 270 degrees to the recessed side of the cabinet

PACKING SIZE:

72" High, 28" Wide, 40" Deep
(1828 mm High, 711 mm Wide, 1016 mm Deep)

SHIPPING WEIGHT:

140 Pounds, FOB Menominee, MI 49858

INTENDED FOR COMMERCIAL USE ONLY. NOT FOR HOUSEHOLD USE.



Toastmaster, in line with its policy to continually improve its product, reserves the right to change materials or specifications without notice. Such revisions do not entitle the buyer to corresponding changes, improvements, additions, or replacements for previously purchased equipment.



Toastmaster® 5600 13th Street, Menominee, MI 49858 • www.toastmastercorp.com

Toll Free: 1-800-338-9886 • Telephone: 1-906-863-4401 • Fax: 1-906-863-5889

Download from www.Somanuals.com. All Manuals Search And Download.

Free Manuals Download Website

<http://myh66.com>

<http://usermanuals.us>

<http://www.somanuals.com>

<http://www.4manuals.cc>

<http://www.manual-lib.com>

<http://www.404manual.com>

<http://www.luxmanual.com>

<http://aubethermostatmanual.com>

Golf course search by state

<http://golfingnear.com>

Email search by domain

<http://emailbydomain.com>

Auto manuals search

<http://auto.somanuals.com>

TV manuals search

<http://tv.somanuals.com>