

READ AND SAVE THESE INSTRUCTIONS

WARNING: A risk of fire and electrical shock exists in all electrical appliances and may cause personal injury or death. Please follow all safety instructions.



GLOBAL DESIGN

Kettle

Use and Care Guide
Model 597U

IMPORTANT SAFEGUARDS

When using electrical appliances, basic safety precautions should always be followed to reduce the risk of fire, electric shock and injury to persons, including the following:

- Read all instructions before using kettle.
- Do not touch hot surfaces. Use handle.
- This kettle is not for use by children.
- Close supervision is necessary when any appliance is used near children.
- Do not operate unattended.
- Unplug from outlet when not in use. Unplug and allow to cool before cleaning and putting on or taking off parts.
- To disconnect, press stop button, then remove plug from power supply.
- Do not operate a damaged kettle. Do not operate with a damaged cord or plug or after the kettle malfunctions, or has been dropped or damaged in any manner. Return kettle to nearest authorized service facility for examination, repair or mechanical adjustment.
- Do not put cord, plug, power base or kettle in water or other liquid. See instructions for cleaning.
- Use attachments only if recommended by Toastmaster Inc.
- Do not use outdoors or when standing in damp area.
- Do not use kettle for other than intended use.
- Do not let cord hang over edge of table or counter or touch hot surfaces.
- Do not place on or near a hot gas or electric burner, or in a heated oven.
- Scalding may occur if the lid is opened during boiling.
- Do not operate without water in kettle.
- Kettle must be left to cool down for approximately 5 minutes before adding more water.

SAVE THESE INSTRUCTIONS

THIS PRODUCT IS FOR HOUSEHOLD USE ONLY

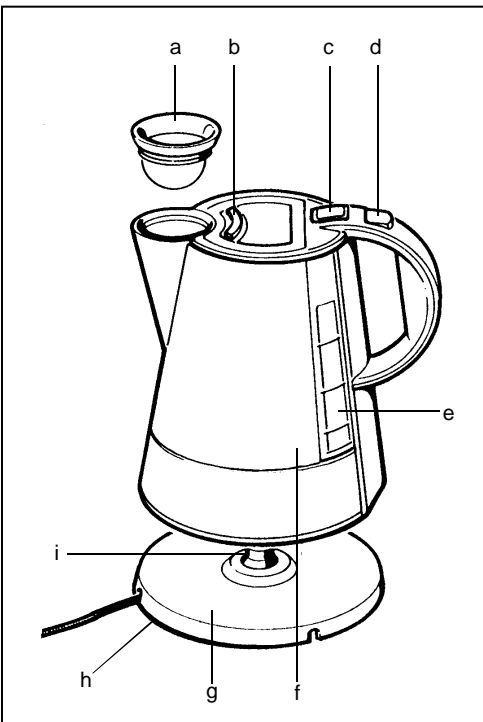
CAUTION: A short power supply cord is provided to reduce the risk of personal injury resulting from becoming entangled in or tripping over a longer cord. If a

longer cord is required, extension cords are available from local hardware stores and may be used if care is exercised in their use. If an extension cord is used, (1) the marked electrical rating of the extension cord should be at least 15A., 125 V., 1875 W., and (2) the longer cord should be arranged so that it will not drape over the counter top or tabletop where it can be pulled on by children or tripped over accidentally. The extension cord should be a grounding type 3-wire cord.

ELECTRIC POWER: If the electric circuit is overloaded with other appliances your appliance may not operate properly. It should be operated on a separate electrical circuit from other appliances.

Thank You for purchasing this Toastmaster appliance.

Featuring superior technology and craftsmanship, the Global Design Collection is an exceptional line of kitchen appliances. The kettle's state-of-the art design is matched only by its excellent performance. Enjoy!



- a. Removable filter
- b. Lid open button
- c. Stop button
- d. Start button
- e. Water level indicator
- f. Kettle
- g. Power base
- h. Cord storage
- i. Connector

Your new Electric Kettle is to be used for heating water only. Do not put any food or beverage into the kettle.

Liter(s)	Approximate Cup(s)
1.5	6 $\frac{1}{2}$
1.25	5 $\frac{1}{4}$
1.0	4 $\frac{1}{4}$
0.75	3 $\frac{1}{4}$
0.5	2 $\frac{1}{2}$
0.25	1

BEFORE USING YOUR ELECTRIC KETTLE

Fill out warranty information.

Thoroughly clean your kettle before using. Fill the kettle with the maximum 1.5 liters (6 $\frac{1}{2}$ cups) of water and boil. SEE BOILING INSTRUCTIONS. When unit shuts off, discard the water. Wait 10 minutes to allow heating elements to cool. Repeat the process two more times.

BOILING INSTRUCTIONS

1. Remove kettle from power base.
2. Place power base on a level counter. The base must be dry before placing kettle on base.
3. Press stop button on the kettle.
4. Open the lid by pressing the white open button. Fill the kettle with the desired amount of water using the water level indicator. Make sure that the 0.25 liter (1 cup) minimum and 1.5 liters (6 $\frac{1}{2}$ cups) maximum amounts are observed. Close the lid and wipe excess water off outside of kettle. The lid must be closed to avoid contact with hot steam when grasping the handle. The unit will shut off if lid is opened during operation.
NOTE: Open lid only when the kettle is cold.
5. Carefully place the kettle on the power base engaging the connector into the bottom of the kettle. Do not tip the kettle as you place it over the connector. The kettle should fit firmly onto the power base.
6. Plug power base into any 120 V ~ 60 Hz electrical outlet.
7. Press the start button; the stop button will be pushed out and the indicator light around the bottom of the kettle will come on.
NOTE: If the open button is pressed while the unit is on, the kettle will automatically shut off.
8. When the water comes to a boil, the kettle will turn off automatically. The indicator light will turn off and the start button will be pushed out. The kettle may now be removed for use. Carry the kettle very carefully and level to avoid spillage and possible injury. The kettle may be placed on the counter-top or table for serving. At anytime while the kettle is heating, you may press the stop button and remove the kettle.
NOTE: Always wait until the kettle has automatically shut off and the indicator light is off, or press the stop button, before removing from or placing the kettle onto the power base. If the stop button is not pressed, and the kettle is removed from the power base, the kettle will automatically turn off. If the kettle is dry and the start button is turned on to boil, it will shut off automatically after a few seconds but may result in damage to the unit.

9. Following use, the kettle may be returned to and stored on the power base. At any time when the kettle is on the power base, press the start button to reheat the water.
10. You may press the stop button at anytime during reheating . When the water boils again, the kettle will turn off automatically. The indicator light will go off.
11. Unplug the kettle when not in use. Allow to cool before refilling and plugging in again.

CLEANING YOUR ELECTRIC KETTLE

CAUTION: Do not immerse kettle or power base in water or any other liquid or put in a dishwasher to clean.

1. Wait until the kettle has automatically shut off and the indicator light is off or press the stop button and the indicator light will go off. Unplug the kettle from the outlet and allow to cool before cleaning.
2. Do not immerse the kettle or power base in water or any other liquid.
3. There may be deposits of minerals that form inside the kettle and flake off during use. Rinse out as needed.
4. Mineral deposits can form a coating inside the kettle and may cause an off flavor in the water or lengthen the boiling time. In a bowl, mix a diluted solution of one part vinegar to four parts water and pour into kettle. Remove the filter and place it inside the kettle so that it may be cleaned at the same time. Do not boil the solution in the kettle, as it may damage the kettle.
5. Allow to soak for 30 minutes and then clean with a soft, non-abrasive brush.
6. Remove filter and empty out solution. Fill with clean water and rinse thoroughly.
7. The exterior of the kettle may be cleaned with a sudsy cloth. Wipe with a damp cloth and dry thoroughly.
8. Do not use abrasive cleaners that can scratch the surface.

CORD STORAGE

1. Press stop button. Unplug from outlet and allow to cool thoroughly.
2. Remove kettle from power base and empty out water, dry thoroughly.
3. Turn power base upside down and wrap cord around inside of base.
4. Place kettle on base for storing.

SERVICE INFORMATION

Please refer to warranty statement to determine if in-warranty service applies.

This appliance must be serviced by Toastmaster authorized service center. Unauthorized service will void warranty. Consult your phone directory under "Appliances-Household-Small-Service and Repair," or call 1-800-947-3744 in the United States and Canada, 52-5-397-2848 in Mexico.

If an authorized service center is not available locally, your appliance may be returned postage prepaid to our National Service Center at the address shown on the back of this book.

Products must be adequately protected to avoid shipping damage. Surround your appliance with three inches of protective padding and include a note explaining the problem you have experienced. We recommend insuring your package. No CODs accepted.

ONE YEAR LIMITED WARRANTY

Toastmaster Inc. warrants this product, to original purchaser, for one year from purchase date to be free of defects in material and workmanship.

This warranty is the only written or express warranty given by Toastmaster Inc. This warranty gives you specific legal rights. You may have other rights which vary from state to state. ANY OTHER RIGHT WHICH YOU MAY HAVE, INCLUDING ANY IMPLIED WARRANTY OF MERCHANTABILITY OR FITNESS FOR A PARTICULAR PURPOSE IS LIMITED IN DURATION TO THE DURATION OF THIS WARRANTY.

Defective product may be brought or sent (freight prepaid) to an authorized service center listed in the phone book, or to Service Department, Toastmaster Inc., 708 South Missouri St., Macon, MO 63552, for free repair or replacement at our option.

Your remedy does not include: cost of inconvenience, damage due to product failure, transportation damages, misuse, abuse, accident or the like, or commercial use. IN NO EVENT SHALL TOASTMASTER INC. BE LIABLE FOR INCIDENTAL OR CONSEQUENTIAL DAMAGES.

Some states do not allow limitations on how long an implied warranty lasts, or allow the exclusion or limitation of incidental or consequential damages, so the above limitations or exclusions may not apply to you.

For information, write Consumer Claims Manager, at the Macon address. Send name, address, zip, telephone area code and daytime number, model, serial number, and purchase date.

KEEP DATED SALES RECEIPT FOR WARRANTY SERVICE.

Keep this booklet. Record the following for reference:

Date purchased _____

Model number _____

Date code (stamped on bottom) _____

Free Manuals Download Website

<http://myh66.com>

<http://usermanuals.us>

<http://www.somanuals.com>

<http://www.4manuals.cc>

<http://www.manual-lib.com>

<http://www.404manual.com>

<http://www.luxmanual.com>

<http://aubethermostatmanual.com>

Golf course search by state

<http://golfingnear.com>

Email search by domain

<http://emailbydomain.com>

Auto manuals search

<http://auto.somanuals.com>

TV manuals search

<http://tv.somanuals.com>