

Steam and Dry Iron

USE AND CARE GUIDE
MODELS 3302/3302CAN/3302MEX



toastmaster®

READ AND SAVE THESE INSTRUCTIONS

WARNING: A risk of fire and electrical shock exists in all electrical appliances and may cause personal injury or death. Please follow all safety instructions.

IMPORTANT SAFETY INSTRUCTIONS

When using electrical appliances, basic safety precautions should always, including the following:

- ◆ Read all instructions before using appliance.
- ◆ Close supervision is necessary when appliance is used near children.
- ◆ This appliance is not for use by children.
- ◆ Do not operate iron with a damaged cord or plug, or after the appliance malfunctions, or has been dropped or damaged in any manner. To avoid the risk of electric shock, do not disassemble the iron. Contact Consumer Service for return authorization, for examination and repair. Incorrect reassembly can cause a risk of electric shock when the iron is used.
- ◆ To protect against a risk of electric shock, do not immerse the iron in water or other liquid. See instructions for cleaning.
- ◆ Do not use outdoors or while standing in a damp area.
- ◆ Use iron only for its intended use.
- ◆ The iron should always be turned to OFF before plugging or unplugging from outlet. Never yank cord to disconnect from outlet; instead grasp plug and pull to disconnect.
- ◆ Do not allow cord to touch hot surfaces. Let iron cool completely before putting away. Loop cord loosely around iron when storing.
- ◆ Always disconnect iron from electrical outlet when filling with water or emptying and when not in use.
- ◆ Burns can occur from touching hot metal parts, hot water or steam. Use caution when you turn a steam iron upside down — there may be hot water in the reservoir.
- ◆ Do not leave iron unattended while hot or connected or on an ironing board.
- ◆ Position iron carefully on ironing board to avoid it from being knocked over.



SPECIAL INSTRUCTIONS

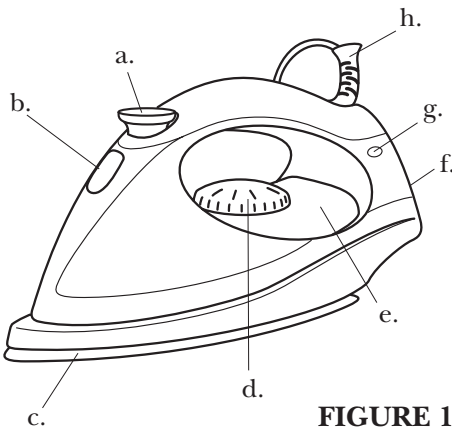
- ◆ This is a high wattage appliance. To avoid a circuit overload, do not operate another high wattage appliance on the same circuit.
- ◆ If an extension cord is absolutely necessary, a 13 ampere cord should be used. Cords rated for less amperage may overheat.
- ◆ Care should be taken to arrange the cord so that it cannot be pulled or tripped over.
- ◆ This appliance has a polarized plug (one blade is wider than the other). As a safety feature to reduce the risk of electrical shock, this plug is intended to fit in a polarized outlet only one way. If the plug does not fit fully in the outlet, reverse the plug. If it still does not fit, contact a qualified electrician. Do not attempt to defeat this safety feature.

SAVE THESE INSTRUCTIONS

This product is for household use only.

Operating Instructions

PRODUCT MAY VARY SLIGHTLY FROM ILLUSTRATION.



- a. Variable Steam Dial
- b. Easy-to-Fill Water Tank
- c. Polished Aluminum Soleplate
- d. Fabric/Temperature Dial
- e. Full-View Water Window
- f. Heel Rest
- g. Temperature Ready Light
- h. Pivot Cord

FIGURE 1

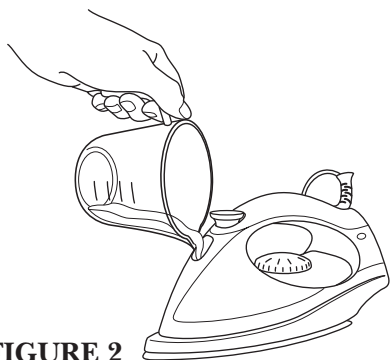


FIGURE 2

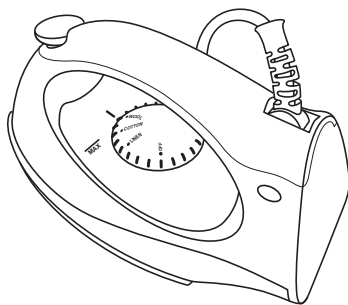


FIGURE 3

Using Your Iron

***Note:** Before you use your iron for the first time, you should flush the soleplate steam vents to ensure that no stain is transferred onto fabric from residue possibly left in the vents from the manufacturing process. To do this, see **FLUSHING**.*

For best results, check garment labels for the temperature and steam setting recommended by the fabric manufacturer, or consult the enclosed garment care tips pamphlet for additional information.

To prevent damaging garments from too hot of an iron, it is best to first iron garments that require low temperature. If you should need to switch from a high setting to a lower temperature, for example Linen to Nylon, allow the iron about 5 minutes to reach the lower temperature.

Tips: If you are unsure of a garment's fabric content, start on a low setting and test the iron on an area of the garment that does not show, such as a seam. Gradually increase the heat setting until wrinkles remove without damaging the fabric.

To freshen up garments made of velvet, felt, suede or velour, hold the steaming iron horizontally 2 inches above the fabric for a gentle steaming. Make sure the iron does not come in contact with the fabric.

To prevent shine, iron dark garments or those made of silk, acetate or rayon inside out.



Using As A Dry Iron

The iron can be used on the dry setting with or without water in the tank, however it is best to avoid having the tank too full of water while dry ironing.

1. Position temperature control dial to OFF.
2. Turn the variable steam dial to OFF.
3. Stand the iron on its heel in an upright position on an iron-safe surface and plug it in.
4. Turn the temperature control dial to the desired setting.
5. When the ready light turns off, the iron has reached the desired temperature.
6. When finished, turn temperature control dial to OFF and unplug. Allow the iron to cool before cleaning the exterior or storing.
Note: During ironing, the ready light may turn on again which indicates that the iron is heating up to maintain the proper temperature.

CAUTION: If the iron has been used for a long time and is hot, DO NOT fill it with water.

Using As A Steam Iron

1. Position temperature control dial to OFF.
2. Position the variable steam dial to OFF.
3. With the unit UNPLUGGED, fill the iron with water.
(See FILLING THE WATER TANK instructions.)
4. Stand the iron on its heel in an upright position on an iron-safe surface and plug in.

5. Turn the temperature control dial to desired setting.
6. Allow approximately 2 minutes for the iron to reach the desired temperature. (The ready light will turn off.)
7. Turn the variable steam dial clockwise to the desired amount of steam. As soon as the iron is held horizontally, steam will flow through the vents. If the iron does not steam, gently tap the soleplate on the ironing surface. Placing the iron on its heel in an upright position interrupts the flow of steam.
8. When finished, turn temperature control dial to OFF and variable steam dial to OFF, and unplug. Allow to cool before cleaning the exterior of the iron and storing.

CAUTION HOT SURFACES: Avoid coming in contact with escaping steam.

Filling The Water Tank

1. Unplug the iron before filling.
2. Turn the variable steam dial to OFF.
3. Hold the iron in the horizontal position (see Figure 2).
4. Using a measuring cup, slowly pour water into the water fill opening (see Figure 2).
5. Check see-through water tank to see if iron is filled to maximum fill line (see Figure 3). **Note:** *Your iron is designed to use tap water. DO NOT use water from home water softening systems because such water may contain minerals that may harm the iron.*



Emptying The Water Tank

The water tank should be emptied after each use. To do so:

1. Unplug the iron from the electrical outlet.
2. While the iron is still warm, hold the iron over a sink and allow the iron to drain by tipping the point of the iron down.
3. Gently shake the iron to loosen any water drops that may be trapped. The warmth of the iron should dry out any remaining water. **Note:** *If you empty the water tank after the iron has cooled, set the iron in an upright position on its heel, plug it in and set the temperature dial to maximum heat for 2 minutes. Turn temperature control dial to OFF and variable steam dial to OFF, and unplug. Let iron cool before storing it.*

Flushing

Flushing the iron is advised after every 5 usages to prevent harmful mineral build-up that can clog the iron and prevent it from heating and steaming properly. To flush the iron:

1. Position temperature control dial to OFF.
2. Turn variable steam dial to OFF.
3. Fill the iron's water tank to its maximum fill line.
4. Plug the iron in and set the temperature control dial to Linen. Let it heat for 2 minutes.
5. Turn the variable steam dial clockwise to the MAX setting.
6. Place a hand towel over the ironing surface.
7. Hold the iron horizontally 2 inches above the towel allowing steam to flow through the vents until the water tank is emptied.
8. Pass the iron over a damp cloth to clean the soleplate.
9. When finished, turn temperature control dial to OFF and variable steam dial to OFF and unplug. Allow iron to cool before cleaning the exterior of the iron or storing. Use a cloth to wipe off exterior of iron before storing.

Storing The Iron

Remove the cord from the outlet by grasping the plug rather than pulling the cord, and allow iron to cool. EMPTY the water tank after each use, then wrap the cord around the cooled iron. Allow the iron to COOL COMPLETELY before putting it away. To protect the soleplate, place the iron in an upright position on its heel.

User Maintenance Instructions

This appliance requires little maintenance. It contains no user serviceable parts. Do not try to repair it yourself. Refer it to a qualified appliance repair technician if servicing is needed.

Care And Cleaning

CAUTION: Unplug the iron from the electrical outlet before cleaning the exterior of the iron and storing. Never immerse an appliance in water.

To protect the soleplate from scratching, avoid ironing over snaps, zippers, metal buttons, etc. Also, do not place the iron on metal or rough surfaces. If starch or other residues cling to the soleplate, use hot iron cleaner according to directions. Hot Iron Cleaner is available at mass merchandise, discount or hardware stores.

A “home remedy” for cleaning starch or other material buildup on the soleplate is as follows:

1. Unplug the iron and allow to cool completely.
2. Mix together 4 tablespoons baking soda and 1 tablespoon water.
3. Apply mixture to the soleplate with a soft cloth.
4. Clean mixture off with a water dampened clean cloth, dry thoroughly. **Note:** *DO NOT put any chemical cleaning agents or solvents in the water tank.*

LIMITED ONE-YEAR WARRANTY

Warranty Coverage: This product is warranted to be free from defects in materials or workmanship for a period of one (1) year from the original purchase date. This product warranty is extended only to the original consumer purchaser of the product and is not transferable. For a period of one (1) year from the date of original purchase of the product, our Repair Center will, at its option, either (1) repair the product or (2) replace the product with a reconditioned comparable model. These remedies are the purchaser's exclusive remedies under this warranty.

Warranty Service: To obtain warranty service, you must call our warranty service number at 1-800-233-9054 for return instructions on how to deliver the product, in either the original packaging or packaging affording an equal degree of protection to the Repair Center specified below. You must enclose a copy of your sales receipt or other proof of purchase to demonstrate eligibility for warranty coverage.

To return the appliance, ship to:

ATTN: Repair Center
708 South Missouri Street
Macon, MO 63552 USA

To contact us, please write to, call, or email:

Consumer Relations Department
PO Box 7366
Columbia MO 65205-7366 USA
1-800-233-9054
E-mail:
consumer_relations@toastmaster.com

What Is Not Covered: This warranty does not cover damage resulting from misuse, accident, commercial use, improper service or any other damage caused by anything other than defects in material or workmanship during ordinary consumer use. This warranty is invalid if the serial number has been altered or removed from the product. This warranty is valid only in the United States and Canada.

LIMITATION ON DAMAGES: THERE SHALL BE NO LIABILITY FOR ANY INCIDENTAL OR CONSEQUENTIAL DAMAGES FOR BREACH OF ANY EXPRESS OR IMPLIED WARRANTY OR CONDITION ON THIS PRODUCT.

DURATION OF IMPLIED WARRANTIES: EXCEPT TO THE EXTENT PROHIBITED BY APPLICABLE LAW, ALL IMPLIED WARRANTIES AND CONDITIONS, INCLUDING, WITHOUT LIMITATION, IMPLIED WARRANTIES AND CONDITIONS OF MERCHANTABILITY AND FITNESS FOR A PARTICULAR PURPOSE OR USE ON THIS PRODUCT ARE LIMITED IN DURATION TO THE DURATION OF THIS WARRANTY.

Some jurisdictions do not allow the exclusion or limitation of incidental or consequential damages, or allow limitations on how long an implied warranty lasts, so the above limitations or exclusions may not apply to you. This warranty gives you specific legal rights and you may have other rights under the laws of your jurisdiction.

For more information on our products, visit our website: www.maxim-toastmaster.com.

© 2001 Toastmaster Inc.
All Rights Reserved

P/N 60866
Printed in China

Keep Dated Sales Receipts for Warranty Service.

Keep this booklet. Record the following for reference:

Date purchased _____

Model number _____

Date code (stamped on bottom) _____

**EVERYBODY EATS. It's a fact of life.
But sometimes preparing
meals can become a chore.
That's why TOASTMASTER has been invited
into millions of kitchens just like yours
so we can HELP YOU MASTER your
mixing, baking, grilling, toasting,
brewing, heating and serving
tasks WITH EASE AND STYLE.
The TOASTMASTER name stands for a
CELEBRATION of INNOVATION designed
to serve your life and keep you
COOKIN' IN STYLE.**



toastmaster®



toastmaster®

- Adjustable steam
- See-through water reservoir
- Temperature ready light
- Pivot cord
- Polished aluminum soleplate



Questions

Call toll free 1-800-947-3744

Monday–Friday, 8:00 a.m.-5:30 p.m. CST

www.toastmaster.com

3302/3302CAN/3302MEX

Download from Www.Somanuals.com. All Manuals Search And Download.

Free Manuals Download Website

<http://myh66.com>

<http://usermanuals.us>

<http://www.somanuals.com>

<http://www.4manuals.cc>

<http://www.manual-lib.com>

<http://www.404manual.com>

<http://www.luxmanual.com>

<http://aubethermostatmanual.com>

Golf course search by state

<http://golfingnear.com>

Email search by domain

<http://emailbydomain.com>

Auto manuals search

<http://auto.somanuals.com>

TV manuals search

<http://tv.somanuals.com>