

OWNER'S MANUAL

Model No. 3305MX

Toastmaster®

STEAM IRON



IMPORTANT SAFEGUARDS

When using electrical appliances, basic safety precautions should always be followed, including the following:

1. Read all instructions.
2. Use iron only for its intended use.
3. To protect against a risk of electric shock, do not immerse the iron in water or other liquids.
4. The iron should always be turned to the "MIN" setting before plugging or unplugging from outlet. Never yank cord to disconnect from outlet; instead, grasp plug and pull to disconnect.
5. Do not allow cord to touch hot surfaces. Let iron cool completely before putting away. Loop cord loosely around iron when storing.
6. Always disconnect iron from electrical outlet when filling with water or emptying and when not in use.
7. Do not operate iron with a damaged cord or if the iron has been dropped or damaged. To avoid the risk of electric shock, do not disassemble the iron. Incorrect reassembly can cause a risk of electric shock when the iron is used. Contact Consumer Service for examination and repair.
8. Close supervision is necessary for any appliance being used by or near children. Do not leave iron unattended while connected or on an ironing board.
9. Burns can occur from touching hot metal parts, hot water, or steam. Use caution when you turn a steam iron upside down---there may be hot water in the water tank.

SPECIAL INSTRUCTIONS

1. To avoid a circuit overload, do not operate another high wattage appliance on the same circuit.
2. If an extension cord is absolutely necessary, a 15-ampere cord should be used. Cords rated for less amperage may overheat. Care should be taken to arrange the cord so that it cannot be pulled or tripped over.

SAVE THESE INSTRUCTIONS

FOR HOUSEHOLD USE ONLY

ADDITIONAL IMPORTANT SAFEGUARDS

CAUTION HOT SURFACES: This appliance generates heat and escaping steam during use. Proper precautions must be taken to prevent the risk of burns, fires or other injury to persons or damage to property.

1. All users of this appliance must read and understand this Owner's Manual before operating or cleaning this appliance.
2. The cord to this appliance should be plugged into a 127V AC electrical outlet only.
3. If this appliance begins to malfunction during use, immediately unplug the cord. Do not use or attempt to repair the malfunctioning appliance.
4. Do not leave this appliance unattended during use.

POLARIZED PLUG

This appliance has a polarized plug (one blade is wider than the other). To reduce the risk of electric shock, this plug is intended to fit into a polarized outlet only one way. If the plug does not fit fully in the outlet, reverse the plug. If it still does not fit, contact a qualified electrician. Do not attempt to modify the plug in any way.

ELECTRIC POWER

If the electrical circuit is overloaded with other appliances, your appliance may not operate properly. It should be operated on a separate electrical circuit from other appliances.

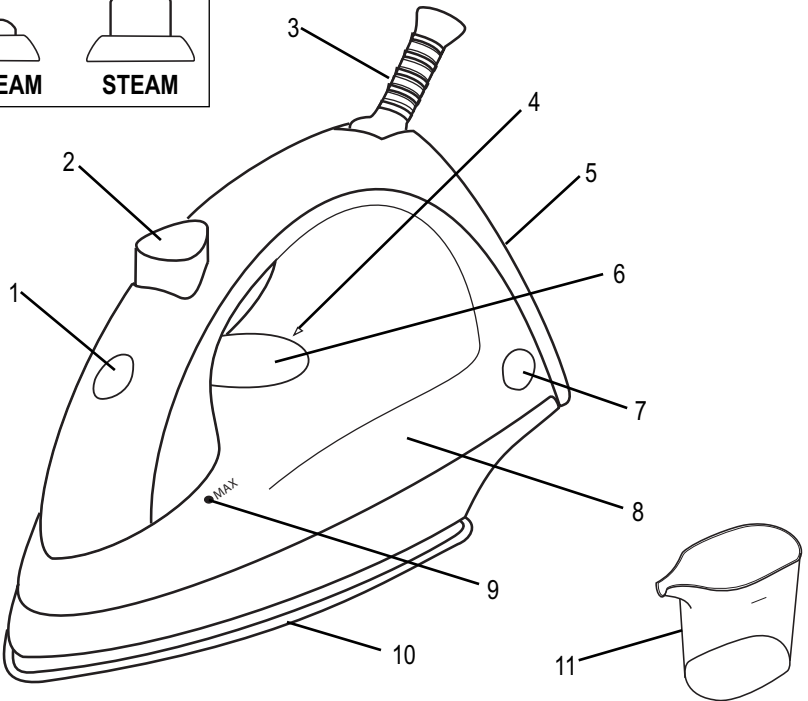
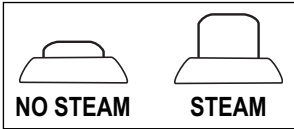
ELECTRICAL SPECIFICATIONS

127V ~ 60Hz 1300W

GETTING TO KNOW YOUR IRON

PRODUCT MAY VARY SLIGHTLY FROM ILLUSTRATIONS.

Steam Button Positions:



1. Water Fill Opening
2. Steam Button
3. Pivot Cord
4. Selection Arrow
5. Heel Rest
6. Temperature Control Dial
7. Thermostat Light
8. Water Tank
9. Maximum Water Level Line
10. Non-stick Soleplate
11. Filler Cup (P/N 50761)

BEFORE FIRST USE

1. Remove all packaging materials from the Soleplate and the body of the Iron. Unwind and straighten the power cord.
2. Flush the soleplate steam vents to ensure that no stain is transferred onto the fabric from residue possibly left in the vents from the manufacturing process. (See USER MAINTENANCE INSTRUCTIONS.)

NOTE: When the Iron is used for the first time, you may notice a slight amount of smoke; this is normal and will stop after a few minutes as the Iron continues to heat.

~ Ironing Tips ~

- For best results, check garment labels for the temperature and steam setting recommended by the fabric manufacturer.
- Always iron garments that require a low temperature first. This will prevent damage to garments by using an iron that is too hot.
- If you are unsure of a garment's fabric content, start on a low setting and test the iron on an area of the garment that does not show, such as a seam. Gradually increase the heat setting until wrinkles remove without damaging the fabric.
- To freshen up garments made of velvet, felt, suede or velour, hold the steaming iron horizontally 2 inches (5cm) above the fabric for a gentle steaming. Make sure the iron does not come in contact with the fabric.
- To prevent shine, iron dark garments or those made of silk, acetate or rayon inside out.

OPERATING INSTRUCTIONS

USING AS A DRY IRON

The Iron can be used on the dry setting with or without water in the Water Tank. However, it is best to avoid having water in the Water Tank while dry ironing.

1. Turn the Temperature Control Dial to the “MIN” setting and make sure that the Steam Button is in the NO STEAM position.
2. Stand the Iron in the vertical position (on its Heel Rest) on a heat resistant surface and plug into a 127V outlet.
3. Turn the Temperature Control Dial to the desired setting. The red Thermostat Light will illuminate, indicating that the Iron is heating.

NOTE: For best results, check garment labels for the temperature setting recommended by the fabric manufacturer.

4. Once the Iron has reached the set temperature, the red Thermostat Light will go off, indicating that the Iron is ready for use.

NOTE: The red Thermostat Light will continue to cycle off and on during use as the Iron maintains the desired temperature.

5. When changing from a higher temperature setting to a lower temperature setting, wait until the red Thermostat Light cycles on and then off again before ironing.
6. When finished ironing, turn the Temperature Control Dial to the “MIN” position and unplug the Iron. Stand the Iron back in the vertical position (on its Heel Rest) and allow it to cool completely before cleaning or storing.

WARNING: Never fill the Water Tank while the Iron is still hot.

USING AS A STEAM IRON

The Temperature Control Dial must remain at the “MAX” setting while steam ironing.

1. Turn the Temperature Control Dial to the “MIN” setting and make sure that the Steam Button is in the NO STEAM position.
2. Make sure that the Iron is unplugged and has cooled completely before filling.

CAUTION: IF THE IRON IS HOT, DO NOT FILL WITH WATER.

3. **Filling the Water Tank:** Place the Iron in the horizontal position (on its Soleplate). Using the Filler Cup provided, slowly pour water through the Water Fill Opening until the Water Tank is filled to the Maximum Water Level Line; DO NOT OVERFILL.

IMPORTANT: Use tap water or distilled water only. Do not use chemically descaled water or any other liquids.

4. With the Water Tank full, stand the Iron in the vertical position (on its Heel Rest) on a heat resistant surface and plug into a 127V outlet.
5. Turn the Temperature Control Dial to the “MAX” setting. The red Thermostat Light will illuminate, indicating that the Iron is heating.

NOTE: For best results, check garment labels for the temperature and steam settings recommended by the fabric manufacturer.

6. Once the Iron has reached the set temperature, the red Thermostat Light will go off, indicating that the Iron is ready for use.

NOTE: The red Thermostat Light will continue to cycle off and on during use as the Iron maintains the desired temperature.

7. Press the Steam Button into the STEAM position. Steam will be released continuously once the Iron is held in the horizontal position.

NOTE: Steam can be stopped by holding the Iron in the vertical position, or by pressing the Steam Button back into the NO STEAM position.

CAUTION: AVOID COMING IN CONTACT WITH ESCAPING STEAM.

8. When finished ironing, press the Steam Button into the NO STEAM position, turn the Temperature Control Dial to the "MIN" setting, and unplug the Iron. If necessary, empty the Water Tank (see "Emptying the Water Tank"). Stand the Iron back in the vertical position (on its Heel Rest) and allow it to cool completely before cleaning or storing.

NOTE: The Water Tank should be emptied after each use.

EMPTYING THE WATER TANK

The Water Tank should be emptied after each use.

1. After use, press the Steam Button into the NO STEAM position, turn the Temperature Control Dial to the "MIN" setting, and unplug the Iron.
2. While the Iron is still warm, hold the Iron over a sink and turn the Iron upside down, allowing water to drain from the Water Fill Opening.
3. Stand the Iron back in the vertical position (on its Heel Rest). The warmth of the Iron should dry out any remaining water.

CAUTION: AVOID COMING IN CONTACT WITH WATER OR ESCAPING STEAM.

USER MAINTENANCE INSTRUCTIONS

This appliance requires little maintenance. It contains no user serviceable parts. Do not try to repair it yourself. Any servicing requiring disassembly must be preformed by a qualified appliance repair technician.

CARE AND CLEANING

CAUTION: Unplug the Iron from the electrical outlet and allow it to cool completely before cleaning and storing. Never immerse the Iron in water or any other liquid.

NOTE: Do not put any chemical cleaning agents or solvents in the Water Tank, or on any part of the Iron.

1. Moisten a soft cloth with a dab of vinegar to remove spots from the Soleplate. Take care not to scratch the non-stick coating.

CAUTION: Never use scouring pads or abrasive cleaners on the Soleplate, as this may scratch the surface.

2. Wipe the outside surfaces of the Iron with a damp cloth. If necessary, use a small amount of mild detergent to clean.
3. Before using again, preheat and move the iron over an old cloth several times to remove any residue from the Soleplate.

FLUSHING

Flushing the iron is advised after every 5 uses or more regularly to prevent harmful mineral build-up that can clog the iron and prevent it from heating and steaming properly.

1. With the Iron unplugged, turn the Temperature Control Dial to the "MIN" setting and press the Steam Button into the NO STEAM position. Make sure that the Iron has cooled completely.

CAUTION: IF THE IRON IS HOT, DO NOT FILL WITH WATER.

2. **Filling the Water Tank:** Place the Iron in the horizontal position (on its Soleplate). Using the Filler Cup provided, slowly pour water through the Water Fill Opening until the Water Tank is filled to the Maximum Water Level Line; DO NOT OVERFILL.

IMPORTANT: Use tap water or distilled water only. DO NOT use chemically descaled water or any other liquids. DO NOT put any chemical cleaning agents or solvents into the Water Tank.

3. With the Water Tank full, stand the Iron in the vertical position (on its Heel Rest) on a heat resistant surface and plug into a 127V outlet.
4. Turn the Temperature Control Dial to the "MAX" setting. The red Thermostat Light will illuminate, indicating that the Iron is heating. Once the Iron has reached the set temperature, the red Thermostat Light will go off, indicating that the Iron is ready for use.
5. Hold the Iron horizontally over a basin or bowl and press the Steam Button into the STEAM position -- steam will begin to flow through the Soleplate. Continue to hold the Iron in this position until the Water Tank is empty. Water and steam will flush the scale and dust through the Soleplate and into the basin.

CAUTION: AVOID COMING IN CONTACT WITH ESCAPING STEAM.

6. When the Water Tank is empty, press the Steam Button into the NO STEAM position, turn the Temperature Control Dial to the "MIN" setting, and unplug the Iron. Stand the Iron back in the vertical position (on its Heel Rest) and allow it to cool completely before storing.

STORING THE IRON

Remove the cord from the outlet by grasping the plug -- **never pull on the cord**. Empty the Water Tank after each use (see "Emptying the Water Tank"). **Allow the Iron to cool completely before storing**. To protect the Soleplate, stand the Iron in an upright position on its Heel Rest; wrap the cord loosely around the base of the Iron.

LIMITED ONE-YEAR WARRANTY

Office and Service Center: Toastmaster de México, S.A. de C.V.
Centeotl #223-A
Col. Industrial San Antonio,
Delegación Azcapotzalco, México. D.F. C.P. 02760
Ph: 01800-201-3373 or 3375
Fax: 52(55) 5353-7207 EXT. 115

Warranty: This product is warranted against defects in materials or workmanship for a period of (1) year from the original purchase date.

Warranty Coverage: This warranty is void if the product has been damaged by accident in shipment, unreasonable use, misuse, neglect, improper service, commercial use, repairs by unauthorized personnel, normal wear, improper assembly, installation or maintenance abuse or other causes not arising out of defects in materials or workmanship. This warranty is effective only if the product is purchased and operated in MEXICO, and does not extend to any units which have been used in violation of written instructions furnished with the product or to units which have been altered or modified or to damage to products or parts thereof which have had the serial number removed, altered, defaced or rendered illegible.

Implied Warranties: ANY IMPLIED WARRANTIES WHICH THE PURCHASER MAY HAVE ARE LIMITED IN DURATION TO ONE (1) YEAR FROM THE DATE OF PURCHASE. Some States do not allow limitations on how long an implied warranty lasts, so the above limitation may not apply to you.

Warranty Performance: During the above one-year warranty period, a product with a defect will be either repaired or replaced with a similar model, as long as you notified to the following number: 01800-201-3373. The repaired or replacement product will be in warranty for the balance of the one-year warranty period and an additional one-month period. No charge will be made for such repair or replacement.

Important Notice: If there are missing parts or are defective, return this product to the place you bought it. You should call the CONSUMER SERVICE, stating that you are a consumer with a problem at the phone number: 01800-201-3373 or 3375.

Limitation of Remedies: No representative or person is authorized to assume for us, any other liability in connection with the sale of our products. There shall be no claims for defects or failure of performance or product failure under any theory of damages, contract or commercial law including, but not limited to negligence, gross negligence, strict liability, breach of warranty and breach of contract. Repair, replacement or refund shall be the sole remedy of the purchaser under this warranty. Some states do not allow the exclusion or limitation of incidental or consequential damages, so the above limitation or exclusion may not apply to you.

For more information on our products, visit our website: www.maxim-toastmaster.com.

Free Manuals Download Website

<http://myh66.com>

<http://usermanuals.us>

<http://www.somanuals.com>

<http://www.4manuals.cc>

<http://www.manual-lib.com>

<http://www.404manual.com>

<http://www.luxmanual.com>

<http://aubethermostatmanual.com>

Golf course search by state

<http://golfingnear.com>

Email search by domain

<http://emailbydomain.com>

Auto manuals search

<http://auto.somanuals.com>

TV manuals search

<http://tv.somanuals.com>