

READ AND SAVE THESE INSTRUCTIONS

WARNING: A risk of fire and electrical shock exists in all electrical appliances and may cause personal injury or death. Please follow all safety instructions.



toastmaster®



6-Speed Hand Mixer

Use and Care Guide

Models 1776, 1776B, 1776CAN, 1776MEX,
1776BMEX and 1776IB

- 6-SPEED HEAVY DUTY MOTOR
- HEAVY DUTY CHROME PLATED BEATERS
- COMFORT-GRIP HANDLE
- BEATER EJECTION BUTTON

IMPORTANT SAFEGUARDS

When using electrical appliances, basic safety precautions should always be followed to reduce the risk of fire, electric shock and injury to persons, including the following:

- Read all instructions before using mixer.
- Close supervision is necessary when mixer is used near children.
- This mixer is not for use by children.
- Do not use mixer unattended.
- Unplug from outlet when not in use, before putting on or taking off parts and before cleaning.
- Do not contact moving parts. Keep hands, hair, clothing, as well as spatulas and other utensils away from beaters during operation.
- Do not operate a damaged mixer. Do not operate with a damaged cord or plug or after the mixer malfunctions, or has been dropped or damaged in any manner. Return mixer to the nearest authorized service center for examination, repair or electrical or mechanical adjustment.
- Do not immerse body of mixer, cord or plug in water or other liquid. See instructions for cleaning.
- Use attachments only if recommended by Toastmaster Inc.
- Do not use outdoors or while standing in a damp area.
- Do not let cord hang over edge of table or counter or touch hot surfaces.
- Remove beaters from mixer before washing them.
- Do not place mixer on or near a hot gas or electric burner, or in a heated oven.
- Use mixer only as indicated in these instructions.

SAVE THESE INSTRUCTIONS

CAUTION: A short power supply cord is provided to reduce the risk of personal injury resulting from becoming entangled in or tripping over a longer cord. Extension cords are available from local hardware stores and may be used if care is exercised in their use. If an extension cord is required, special care and caution is necessary. Also the cord must be: (1) marked with an electrical rating of 125 V and at least 10A., 1250 W., and (2) the cord must be arranged so that it will not drape over the countertop or tabletop where it can be pulled on by children or tripped over accidentally.

POLARIZED PLUG: This appliance has a polarized plug, (one blade is wider than the other). As a safety feature to reduce the risk of electrical shock, this plug is intended to fit in a polarized outlet only one way. If the plug does not fit fully in the outlet, reverse the plug. If it still does not fit, contact a qualified electrician. Do not attempt to defeat this safety feature.

This product is for household use only.

OPERATING INSTRUCTIONS

PRODUCT MAY VARY SLIGHTLY FROM ILLUSTRATION

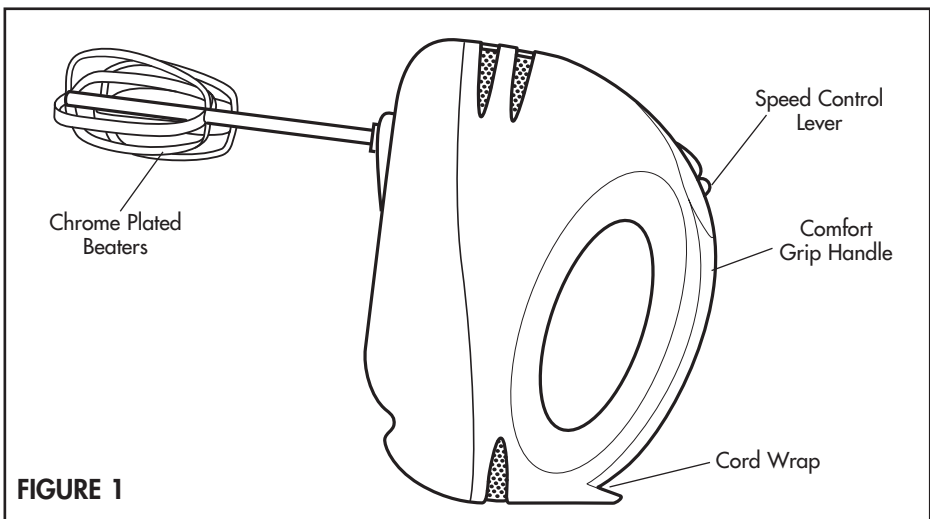


FIGURE 1

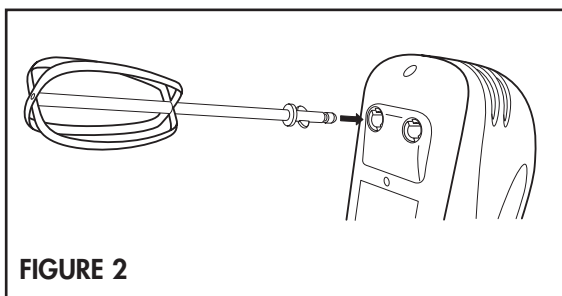


FIGURE 2

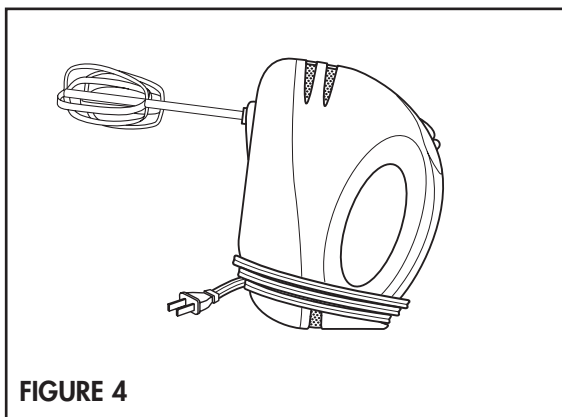


FIGURE 4

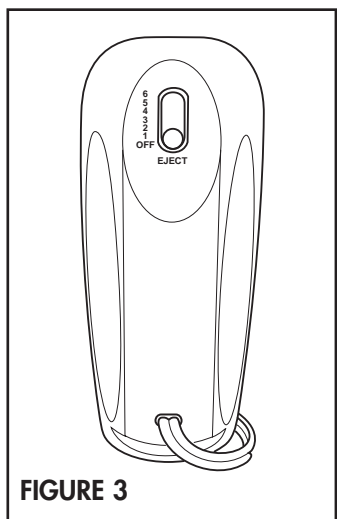


FIGURE 3

MIXING GUIDE

Use the chart to help you determine the proper speed control setting for mixing (see Figure 3).

Speed Control	Procedure
1	Best for mixing dry ingredients and folding in liquid ingredients, egg whites and whipped cream.
2	Ideal for creaming, stirring, making sauces, gravies, puddings and quick breads.
3	All purpose mixing. Preparing packaged cake mixes, creaming sugar & butter together.
4	Great for smooth batters.
5-6	Best for whipping cream, beating egg whites or mashing potatoes.

CAUTION: UNPLUG APPLIANCE FROM ELECTRICAL OUTLET BEFORE ASSEMBLING, REMOVING PARTS OR CLEANING. NEVER PLACE MOTOR OR CORD IN WATER OR OTHER LIQUIDS.

OPERATING INSTRUCTIONS

Please fill out information that follows warranty.

Before using the mixer for the first time, wash beaters in warm, soapy water. Rinse and dry thoroughly, see **CLEANING MIXER**.

1. Remove all packing materials before using.
2. Position speed control lever to Off.
3. Unplug from outlet.
4. Align notches on beater with the slots inside hole (see Figure 2). Press beater into the opening. Push until it clicks into position. Insert the other beater.
5. Plug into 120 V ~ 60 Hz outlet.
6. Slide the speed control lever to the desired speed.
7. When finished, turn speed control lever to Off and unplug from outlet. Grasp stems of beaters and press down firmly on the speed control lever (see Figure 2). Clean after each use (see **CLEANING MIXER**).

CLEANING MIXER

CAUTION: UNPLUG APPLIANCE BEFORE CLEANING. NEVER PLACE ANY PART OF APPLIANCE OR CORD IN WATER OR OTHER LIQUIDS.

1. Position speed control lever to Off.
2. Unplug from outlet.
3. Grasp stems of beaters and press down on speed control lever.
4. Wash, rinse and dry beaters by hand after each use.

5. Wipe body of mixer with a soft, damp cloth. Do not use harsh detergents or abrasive cleaners to clean any part.
6. Wrap cord around handle using cord wrap feature (see Figure 4).

Any servicing requiring disassembly other than the above cleaning must be performed by an authorized service center.

SERVICE INFORMATION

Please refer to warranty statement to determine if in-warranty service applies. This appliance must be serviced by a Toastmaster authorized service center. Unauthorized service will void warranty. Consult your phone directory under "Appliances-Household-Small-Service and Repair," or call 1-800-947-3744 in the U.S. and Canada, 52-5-397-2848 in Mexico.

If an authorized service center is not available locally, your appliance may be returned postage prepaid to our National Service Center at the address shown on the back of this book.

Products must be adequately protected to avoid shipping damage. Surround your appliance with three inches of protective padding and include a copy of your dated sales receipt and a note explaining the problem you have experienced. We recommend insuring your package. No CODs accepted.

LIMITED ONE-YEAR WARRANTY

Warranty Coverage: This product is warranted to be free from defects in materials or workmanship for a period of one (1) year from the original purchase date. This product warranty is extended only to the original consumer purchaser of the product and is not transferable. For a period of one (1) year from the date of original purchase of the product, our Repair Center will, at its option, either (1) repair the product or (2) replace the product with a reconditioned comparable model. These remedies are the purchaser's exclusive remedies under this warranty.

Warranty Service: To obtain warranty service, you must call our warranty service number at 1-800-233-9054 for return instructions on how to deliver the product, in either the original packaging or packaging affording an equal degree of protection to the Repair Center specified below. You must enclose a copy of your sales receipt or other proof of purchase to demonstrate eligibility for warranty coverage.

To return the appliance, ship to:

ATTN: Repair Center
708 South Missouri Street
Macon, MO 63552 USA

To contact us, please write to, call, or email:

Consumer Relations Department
PO Box 7366
Columbia MO 65205-7366 USA
1-800-233-9054
E-mail:
consumer_relations@toastmaster.com

What Is Not Covered: This warranty does not cover damage resulting from misuse, accident, commercial use, improper service or any other damage caused by anything other than defects in material or workmanship during ordinary consumer use. This warranty is invalid if the serial number has been altered or removed from the product. This warranty is valid only in the United States and Canada.

LIMITATION ON DAMAGES: THERE SHALL BE NO LIABILITY FOR ANY INCIDENTAL OR CONSEQUENTIAL DAMAGES FOR BREACH OF ANY EXPRESS OR IMPLIED WARRANTY OR CONDITION ON THIS PRODUCT.

DURATION OF IMPLIED WARRANTIES: EXCEPT TO THE EXTENT PROHIBITED BY APPLICABLE LAW, ALL IMPLIED WARRANTIES AND CONDITIONS, INCLUDING, WITHOUT LIMITATION, IMPLIED WARRANTIES AND CONDITIONS OF MERCHANTABILITY AND FITNESS FOR A PARTICULAR PURPOSE OR USE ON THIS PRODUCT ARE LIMITED IN DURATION TO THE DURATION OF THIS WARRANTY.

Some jurisdictions do not allow the exclusion or limitation of incidental or consequential damages, or allow limitations on how long an implied warranty lasts, so the above limitations or exclusions may not apply to you. This warranty gives you specific legal rights and you may have other rights under the laws of your jurisdiction.

For more information on our products, visit our website: www.maxim-toastmaster.com.

Toastmaster Inc.

IMPORTADOR:

Toastmaster de Mexico, S.A. de C.V.
Cerrada de Recursos Hidráulicos No. 6
La Loma Industrial,
Tlalnepantla, Edo. Mex. C.P. 54060
Tel. 5 397 28 28 Y 5 397 28 48

INSTRUCTIVO Y MANUAL DE OPERACION INDICACIONES TECNICAS

BATIDORA DE MANO	MODELOS 1776MEX Y 1776BMEX
TENSION DE ALIMENTACION	
TENSION NOMINAL (VOLTS)	127 V ~
FRECUENCIA DE OPERACION	
FRECUENCIA NOMINAL (HERTZ)	60 HZ
POTENCIA NOMINAL (WATTS)	224 W

PART NO. 33939P02

Free Manuals Download Website

<http://myh66.com>

<http://usermanuals.us>

<http://www.somanuals.com>

<http://www.4manuals.cc>

<http://www.manual-lib.com>

<http://www.404manual.com>

<http://www.luxmanual.com>

<http://aubethermostatmanual.com>

Golf course search by state

<http://golfingnear.com>

Email search by domain

<http://emailbydomain.com>

Auto manuals search

<http://auto.somanuals.com>

TV manuals search

<http://tv.somanuals.com>