

Toaster-Oven Broiler

USE AND CARE GUIDE
MODELS 354 AND 354CAN



READ AND SAVE THESE INSTRUCTIONS

WARNING: A risk of fire and electrical shock exists in all electrical appliances and may cause personal injury or death. Please follow all safety instructions.

IMPORTANT SAFEGUARDS

When using electrical appliances, basic safety precautions should always be followed, including the following:

- ◆ Read all instructions before using appliance.
- ◆ Do not touch hot surfaces. Use handles or knobs and oven mitts.
- ◆ To protect against electrical shock, do not immerse cord, plug, or appliance in water or other liquid. See instructions for cleaning.
- ◆ This appliance is not for use by children.
- ◆ Close supervision is necessary when any appliance is used near children.
- ◆ Unplug from outlet when not in use and before cleaning. Allow to cool before putting on or taking off parts and before cleaning.
- ◆ Do not operate any damaged appliance. Do not operate with a damaged cord or plug or after the appliance malfunctions, or has been dropped or damaged in any manner. Contact Consumer Service for return authorization, examination, repair or adjustment.
- ◆ The use of accessory attachments not recommended by the appliance manufacturer may cause injuries.
- ◆ Do not use outdoors or while standing in a damp area.
- ◆ Do not let cord hang over edge of table or counter, or touch hot surfaces.
- ◆ Do not place on or near a hot gas or electric burner or in a heated oven.
- ◆ Extreme caution must be used when moving an appliance containing hot oil or other hot liquids.
- ◆ To disconnect, turn Timer to Off, then remove plug from wall outlet.
- ◆ Use extreme caution when removing broiling pan or disposing of hot grease.



- ◆ Do not clean with metal scouring pads. Pieces can break off the pad and touch electrical parts, creating a risk of electric shock.
- ◆ Oversized foods or utensils must not be inserted into the oven as they may create a fire or risk of electric shock.
- ◆ When using this appliance, provide at least four inches of space above, behind and on both sides for air circulation. Do not store any item on top of the appliance. Do not use on surfaces where heat may cause a problem.
- ◆ A fire may occur if the oven is covered or touching flammable material, including curtains, draperies, walls, etc., when in operation.
- ◆ Extreme caution should be exercised when using containers constructed of material other than metal.
- ◆ Do not store any materials, other than manufacturer's recommended accessories, in this oven when not in use.
- ◆ Do not place any flammable material such as paper, cardboard, plastic, etc. in the oven.
- ◆ Do not cover any part of the oven with metal foil. This will cause overheating of the oven.
- ◆ When broiling, the bake/broil pan and broil insert rack must be used.
- ◆ Caution: Never leave toaster-oven-broiler unattended when broiling or toasting.
- ◆ The toaster-oven-broiler is off when the Timer is in the off position.
- ◆ Caution: Hot surfaces.
- ◆ Do not use appliance for other than intended use.

SAVE THESE INSTRUCTIONS

CAUTION: A short power supply cord is provided to reduce the risk of personal injury resulting from becoming entangled in or tripping over a longer cord. Extension cords are available from local hardware stores and may be used if care is exercised in their use. If an extension cord is required, special care and caution is necessary. Also the cord must be: (1) marked with an electrical rating of 125 V and at least 13A., 1625 W., and (2) the cord must be arranged so that it will not drape over the countertop or tabletop where it can be pulled on by children or tripped over accidentally.

POLARIZED PLUG: This appliance has a polarized plug, (one blade is wider than the other). As a safety feature to reduce the risk of electrical shock, this plug is intended to fit in a polarized outlet only one way.

If the plug does not fit fully in the outlet, reverse the plug. If it still does not fit, contact a qualified electrician. Do not attempt to defeat this safety feature.

ELECTRIC POWER: If the electric circuit is overloaded with other appliances, your appliance may not operate properly. It should be operated on a separate electrical circuit from other appliances.

This product is for household use only.

Getting to Know Your Toaster-Oven-Broiler

Your new Toastmaster toaster-oven-broiler has the versatility to bake, broil, defrost, toast, top brown and keep foods warm. The adjustable thermostat allows you to prepare recipes according to package or recipe directions. The Power Light will be on any time the unit is operating. Both upper and lower heating elements will be on when toasting, baking, defrosting, top browning and keeping foods warm. Only the upper elements will be on when broiling.

CAUTION: APPLIANCE SURFACES ARE HOT DURING AND AFTER USE.

CAUTION: ALWAYS WEAR PROTECTIVE, INSULATED OVEN MITTS ON HANDS WHEN TOUCHING HOT OVEN OR HOT DISHES AND FOOD OR WHEN INSERTING OR REMOVING RACK, PAN OR BAKING DISH.

Ovenware manufacturers do not recommend using see-through glass baking containers or lids in this oven. Glass-ceramic baking containers may be used. Do not use oven roasting bags in this oven, as they may come in contact with the heating elements. If you have any questions regarding the use of either of these items, please contact the manufacturer.

Bake/Broil Pan, Rack and Broil Insert

For best results use bake/broil pan to bake, defrost, top brown, keep warm and to minimize clean-up due to spills.



For toasting, place bread directly on rack.

When broiling, both the bake/broil pan and the broil insert rack must be used.

Timer

The TIMER control dial also acts as the oven's on and off switch. Turn the timer clockwise to select the appropriate cooking time up to 15 minutes. When cooking time is complete, a signal will sound and the unit will turn off automatically.

If you are cooking for more than 15 minutes, or do not wish to use the timer feature, simply turn the dial counter-clockwise to Stay On to turn the oven on and check on food visually. Return to OFF position when cooking is complete.

Wire Rack

The wire rack must be used for all cooking functions. It may be inserted in either the upper or lower shelf position as shown in Figure 1.

The wire rack may also be inverted for two additional positions. Each section of instructions suggests a shelf specific position, however the rack may be adjusted to accommodate different thickness of foods.

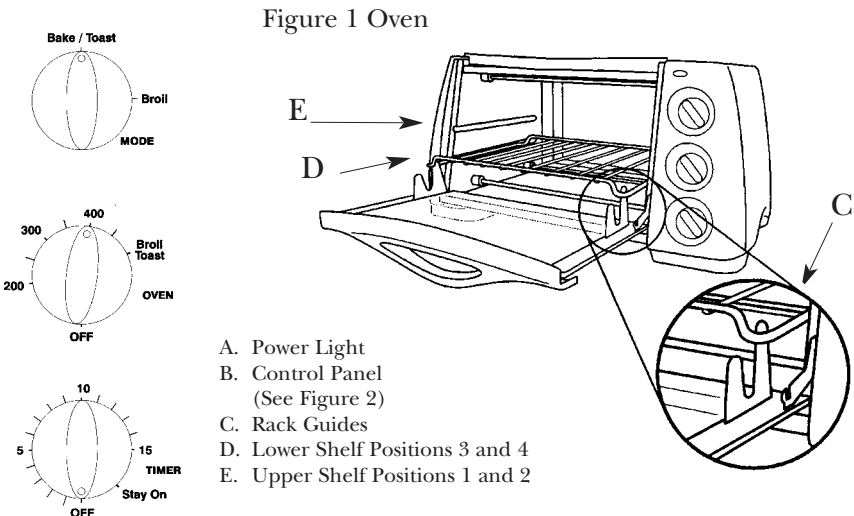


Figure 2 Control Panel

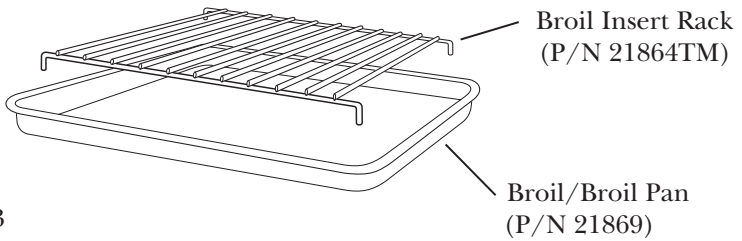


Figure 3

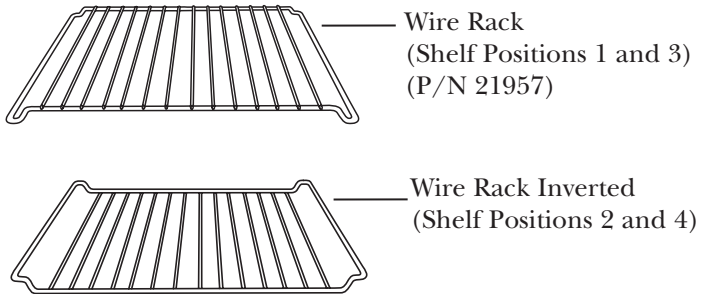


Figure 4

Instructions For Toast

1. Remove bake/broil pan and rack.
2. Plug into 120 V ~ 60 Hz outlet.
3. Place MODE knob in Bake/Toast position and oven temperature knob in Broil/Toast position.
4. Center food on rack and place rack in shelf position 3 of oven. Push the rack into the oven until it is between the rack guides and close door.
5. Set the TIMER to the desired toast shade. This will start the toast cycle. The power light will come on. Medium colored toast takes approximately 5-6 minutes.



6. The unit shuts off automatically when the cycle is complete. The power light will go off. **NOTE:** *Watch toast until desired color is achieved and shut off manually by turning the timer to the OFF position. The power light will go off.*
7. Unplug and allow to cool completely before cleaning.

Hints For Toast

- ◆ Follow toaster food directions.
- ◆ Frozen and heavy bread require a darker setting (e.g. bagels and English muffins.)
- ◆ One slice requires a lighter setting than several slices.

Instructions For Top Brown

1. Remove bake/broil pan and rack.
2. Plug into 120 V ~ 60 Hz outlet.
3. Place MODE knob in Bake/Toast position and oven temperature knob in Broil/Toast position.
4. Center food on rack or use a bake pan and place rack in shelf position 2 or 3 of oven. Push the rack into the oven until it is between the rack guides and close door.
5. Set the TIMER to the desired toast shade. This will start the toast cycle. The power light will come on.
6. The unit shuts off automatically when the cycle is complete. The power light will go off. Check on food to avoid over-browning. To stop cycle manually, turn Timer to OFF.
7. Unplug and allow to cool completely before cleaning.

Hints For Top Brown

- ◆ For darker results, set the TIMER for additional time to restart the cycle. Watch until desired color is achieved and turn TIMER off manually.
- ◆ Top Brown may be used to top brown bagels, English muffins or melt cheese on sandwiches or casseroles.

Instructions For Keep Warm

1. Remove bake/broil pan and rack.
2. Plug into 120 V ~ 60 Hz outlet.
3. Place rack in shelf position 2 or 3 of oven. Push the rack into the oven until it is between the rack guides.
4. Center a baking container or food on the rack, or use bake pan and close door.
5. Turn MODE knob to Bake/Toast position. Place OVEN temperature knob on 200°F. Turn TIMER to the desired time. The power light will come on.
6. When finished turn OVEN temperature knob to OFF and TIMER to OFF. The power light will go off.
7. Unplug and allow to cool completely before cleaning.

Hints For Keep Warm

- ◆ Use for short periods of time after food is cooked.
- ◆ To heat frozen or cold foods, see instructions for defrost.



Instructions For Bake

1. Remove bake/broil pan and rack.
2. Plug into 120 V ~ 60 Hz outlet.
3. Place rack in shelf position 2, 3, or 4 of oven. Push the rack into the oven until it is between the rack guides.
4. Turn MODE knob to Bake/Toast position and OVEN temperature knob to desired setting. Preheat if necessary. Turn TIMER to desired time. The power light will come on.
5. Center a baking container or food directly on rack or use bake pan and close door. Bake according to package or recipe directions.
6. When finished, turn OVEN temperature knob to OFF and TIMER to OFF. The power light will go off.
7. Unplug and allow to cool completely before cleaning.

Hints For Bake

- ◆ To prevent heat loss, avoid opening door excessively.
- ◆ Foil may be used to cover baking container if ends are tucked closely against edge of pan.

Instructions For Defrost

1. Remove bake/broil pan and rack.
2. Plug into 120 V ~ 60 hz outlet.
3. Place rack in shelf position 2 or 3 of oven. Push the rack into the oven until it is between the rack guides.
4. Center a baking container or food on the rack, or use bake pan and close door. *NOTE: Defrost will take approximately 1/3 of the time recommended on the package for defrosting at room temperature.*

5. Turn MODE knob to Bake/Toast position. Place OVEN temperature knob at 200°F. Turn Timer to the desired time. The power light will come on.
6. When finished turn Oven temperature knob to off and Timer to Off. The power light will go off.
7. Unplug and allow to cool completely before cleaning.

Hints For Defrost

- ◆ Do not use this method for meat, poultry or fish.
- ◆ Do not cover food.
- ◆ Brush frozen dough with vegetable oil to prevent drying out and remove food to preheat oven before baking.

Instructions For Broil

1. Remove bake/broil pan and rack.
2. Plug into 120 V ~ 60 Hz outlet.
3. Place rack in shelf position 2 or 3 of oven leaving approximately 2 inches between the food and the upper Heating Element. Push the rack into the oven until it is between the rack guides.
4. Place broil insert in bake/broil pan.
5. Position food on broil insert, place in oven and close door.
6. Turn MODE knob to Broil position and OVEN temperature knob to the Broil/Toast position. Turn TIMER to the desired time. The power light will come on.
7. Broil according to package or recipe directions. Turn food over halfway through the cooking time.
8. When finished turn OVEN temperature knob to OFF and the TIMER to OFF. The power light will go off. Use care when removing bake/broil pan and disposing of grease.
9. Unplug and allow to cool completely before cleaning.



Hints For Broil

- ◆ Always use bake/broil pan with the broil insert; this allows juices and fat to drip into the pan and decreases spattering while broiling.
- ◆ Do not place aluminum foil on top of broil pan assembly; this traps grease and can cause a fire.
- ◆ Trim excess fat from meat and score edges to reduce curling and smoke.
- ◆ Always thaw meats before broiling.
- ◆ Remove grease from bake/broil pan and wash after each use.

Clean-Up Of Interior

1. Always unplug and allow to cool completely before cleaning or moving.
2. Remove the bake/broil pan, broil insert and rack. Wash with a non-abrasive cleaner, rinse and dry thoroughly or clean in a dishwasher.
3. Clean interior with a mild or non-abrasive cleaner and plastic scouring pad after each use to avoid buildup. Do not rub too hard as surface can be scratched.
4. Rinse and dry thoroughly before closing oven door.

Clean-Up Of Oven Door And Exterior

1. Always unplug and allow to cool completely before cleaning or moving.
2. Clean with glass cleaner or mild detergent and damp cloth or plastic scouring pad. Do not use an abrasive cleaner or pad as they might scratch the finish.
3. Rinse and dry thoroughly with a clean cloth. Allow to dry before closing door.

User Maintenance Instructions

This appliance requires little maintenance. It contains no user serviceable parts. Do not try to repair it yourself. Refer it to a qualified appliance repair technician if servicing is needed.

LIMITED ONE YEAR WARRANTY

Warranty: This Toastmaster® product is warranted to be free from defects in materials or workmanship for a period of (1) year from the original purchase date. This product warranty covers only the original consumer purchaser of the product.

Warranty Coverage: This warranty is void if the product has been damaged by accident in shipment, unreasonable use, misuse, neglect, improper service, commercial use, repairs by unauthorized personnel, normal wear and tear, improper assembly, installation or maintenance abuse or other causes not arising out of defects in materials or workmanship. This warranty is effective only if the product is purchased and operated in the USA, and does not extend to any units which have been used in violation of written instructions furnished with the product or to units which have been altered or modified or to damage to products or parts thereof which have had the serial number removed, altered, defaced or rendered illegible.

Implied Warranties: ANY IMPLIED WARRANTIES WHICH THE PURCHASER MAY HAVE ARE LIMITED IN DURATION TO ONE (1) YEAR FROM THE DATE OF PURCHASE. Some states do not allow limitations on how long an implied warranty lasts, so the above limitation may not apply to you.

Warranty Performance: During the above one-year warranty period, a product with a defect will be either repaired or replaced with a reconditioned comparable model (at our option) when the product is returned to the Repair Center, or the purchase price refunded. The repaired or replacement product will be in warranty for the balance of the one-year warranty period and an additional one-month period. No charge will be made for such repair or replacement.

Service and Repair: Should the appliance malfunction, you should first call toll-free 1 (800) 947-3744 between the hours of 9:00 am and 5:00 pm Central Standard Time and ask for CONSUMER SERVICE stating that you are a consumer with a problem. Please refer to model number 354 when you call.

In-Warranty Service (USA): For an appliance covered under the warranty period, no charge is made for service or postage. Call for return authorization (1 800 947-3744).

Out-of Warranty Service: A flat rate charge by model is made for out-of-warranty service. Include \$ 7.50 (U.S.) for return shipping and handling. We will notify you by mail of the amount of the charge for service and require you to pay in advance for the repair or replacement.

For Products Purchased in the USA, but Used in Canada: You may return the product insured, packaged with sufficient protection, and postage and insurance prepaid to the USA address listed below. Please note that all customs duty / brokerage fees, if any, must be paid by you and we will require you to pay the cost of customs duty / brokerage fees to us in advance of our performing any service.

Risk During Shipment: We cannot assume responsibility for loss or damage during incoming shipment. For your protection, carefully package the product for shipment and insure it with the carrier. Be sure to enclose the following items with your appliance: any accessories related to your problem, your full return address and daytime phone number, a note describing the problem you experienced, a copy of your sales receipt or other proof of purchase to determine warranty status. C.O.D. shipments cannot be accepted.

To return the appliance, ship to:

Attn: Repair Center
Salton Inc.
708 South Missouri Street
Macon, MO 63552
Email: salton@saltonusa.com

To contact us, please write to or call:

Salton Inc.
P.O. Box 6916
Columbia, MO 65205-6916
1 (800) 233-9054

Limitation of Remedies: No representative or person is authorized to assume for us any other liability in connection with the sale of our products. There shall be no claims for defects or failure of performance or product failure under any theory of tort, contract or commercial law including, but not limited to negligence, gross negligence, strict liability, breach of warranty and breach of contract. Repair, replacement or refund shall be the sole remedy of the purchaser under this warranty, and in no event shall we be liable for any incidental or consequential damages, losses or expenses. Some states do not allow the exclusion or limitation of incidental or consequential damages, so the above limitation or exclusion may not apply to you.

Legal Rights: This warranty gives you specific legal rights, and you may also have other rights which vary from state to state.

© 2001 Toastmaster Inc.
All Rights Reserved

P/N 60865
Printed in China



toastmaster®

11.

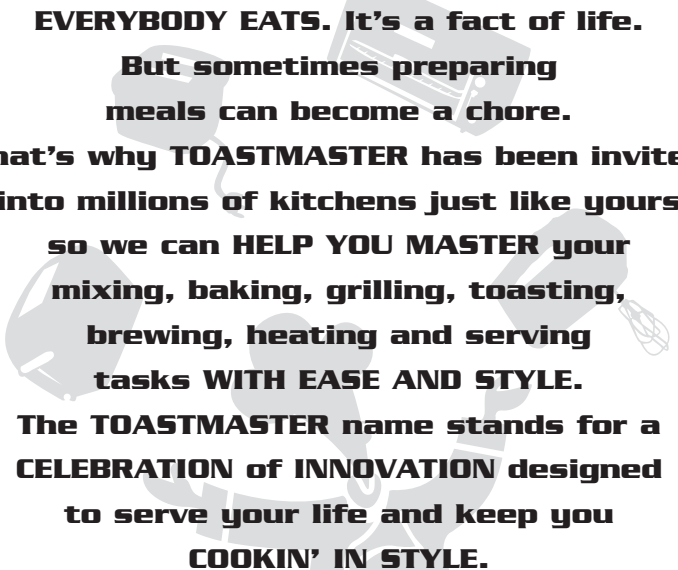
Keep Dated Sales Receipts for Warranty Service.

Keep this booklet. Record the following for reference:

Date purchased _____

Model number _____

Date code (stamped on bottom) _____



**EVERYBODY EATS. It's a fact of life.
But sometimes preparing
meals can become a chore.
That's why TOASTMASTER has been invited
into millions of kitchens just like yours
so we can HELP YOU MASTER your
mixing, baking, grilling, toasting,
brewing, heating and serving
tasks WITH EASE AND STYLE.
The TOASTMASTER name stands for a
CELEBRATION of INNOVATION designed
to serve your life and keep you
COOKIN' IN STYLE.**



toastmaster®

- Non-stick easy clean interior
- Large capacity handles 4-slices of toast, 4 lb. chicken. 9" pies
- Electronic toast control, 15 minute timer
- Chrome-plated broil rack, bake pan
- Rack advances when door is opened
- Fully adjustable thermostat, LED power indicator



Questions

Call toll free 1-800-947-3744

Monday–Friday, 8:00 a.m.-5:30 p.m. CST

www.toastmaster.com

354 AND 354CAN

Free Manuals Download Website

<http://myh66.com>

<http://usermanuals.us>

<http://www.somanuals.com>

<http://www.4manuals.cc>

<http://www.manual-lib.com>

<http://www.404manual.com>

<http://www.luxmanual.com>

<http://aubethermostatmanual.com>

Golf course search by state

<http://golfingnear.com>

Email search by domain

<http://emailbydomain.com>

Auto manuals search

<http://auto.somanuals.com>

TV manuals search

<http://tv.somanuals.com>