

FARBERWARE® MILLENNIUM®



USE & CARE INSTRUCTIONS TOASTER OVEN BROILER FTO320SS

IMPORTANT SAFEGUARDS

When using electrical appliances, basic safety precautions should always be followed including the following:

1. Read all instructions.
2. Do not touch hot surfaces. Use handles or knobs.
3. To protect against electrical shock do not immerse cord, plugs, or appliance in water or other liquid.
4. Close supervision is necessary when any appliance is used by or near children.
5. Unplug from outlet when not in use and before cleaning. Allow to cool before putting on or taking off parts.
6. Do not operate any appliance with a damaged cord or plug or after the appliance malfunctions or has been damaged in any manner. Contact Consumer Service for examination, repair or adjustment.
7. The use of accessory attachments not recommended by the appliance manufacturer may cause injuries.
8. Do not use outdoors.
9. Do not let cord hang over edge of table or counter, or touch hot surfaces.
10. Do not place on or near a hot gas or electric burner, or in a heated oven.
11. Extreme caution must be used when moving an appliance containing hot oil or other hot liquids.
12. To disconnect, turn Timer Control and Temperature/Function Control to OFF, then remove plug from wall outlet.
13. Oversize foods or metal utensils must not be inserted in a Toaster Oven as they may create a fire or risk of electric shock.
14. A fire may occur if the Toaster Oven is covered or touching flammable material, including curtains, draperies, walls, and the like, when in operation. Do not store any item on top of the appliance when in operation.
15. Do not clean with metal scouring pads. Pieces can break off the pad and touch electrical parts, involving a risk of electric shock.
16. Extreme caution should be exercised when using containers constructed of other than metal or glass.
17. Do not store any materials, other than manufacturers recommended accessories, in this Toaster Oven when not in use.

IMPORTANT SAFEGUARDS *(CONTINUED)*

18. Do not place any of the following materials in the Toaster Oven: paper, cardboard, plastic, and the like.
19. Do not cover Crumb Tray or any part of the Toaster Oven with metal foil. This will cause overheating of the Toaster Oven.
20. Use extreme caution when removing tray or disposing of hot grease.
21. To turn Toaster Oven off, turn Timer Control and Temperature/Function Control to OFF.
22. Do not use appliance for other than intended use.

SAVE THESE INSTRUCTIONS

THIS PRODUCT IS FOR HOUSEHOLD USE ONLY

ADDITIONAL IMPORTANT SAFEGUARDS

CAUTION: HOT SURFACES: This appliance generates heat and escaping steam during use. Proper precautions must be taken to prevent the risk of burns, fires, or other injury to persons or damage to property.

1. A person who has not read and understood all operating and safety instructions is not qualified to operate this appliance. All users of this appliance must read and understand this Owner's Manual before operating or cleaning this appliance.
2. If this appliance falls or accidentally becomes immersed in water, unplug it from the wall outlet immediately. **Do not reach into the water!**
3. When using this appliance, provide adequate air space above and on all sides for air circulation. Do not operate this appliance while it is touching or near curtains, wall coverings, clothing, dishtowels or other flammable materials.
4. To reduce the risk of fire, do not leave this appliance unattended during use.
5. If this appliance begins to malfunction during use, immediately unplug the cord. Do not use or attempt to repair a malfunctioning appliance!
6. The cord to this appliance should only be plugged into a 120V AC electrical wall outlet.
7. Do not use this appliance in an unstable position.

POLARIZED PLUG

This appliance has a polarized plug (one blade is wider than the other). To reduce the risk of electric shock, this plug is intended to fit into a polarized outlet only one way. If the plug does not fit fully in the outlet, reverse the plug. If it still does not fit, contact a qualified electrician. Do not attempt to modify the plug in any way.

SHORT CORD INSTRUCTIONS

A short power-supply cord is provided to reduce the risk resulting from becoming entangled in or tripping over a longer cord.

Do not use an extension cord with this product.

ELECTRIC POWER

If the electrical circuit is overloaded with other appliances, your appliance may not operate properly. It should be operated on a separate electrical circuit from other appliances.

PLASTICIZER WARNING

CAUTION: To prevent Plasticizers from migrating from the finish of the counter top or table top or other furniture, place **NON-PLASTIC** coasters or place mats between the appliance and the finish of the counter top or table top.

Failure to do so may cause the finish to darken. Permanent blemishes may occur or stains can appear.

GETTING TO KNOW YOUR **FARBERWARE**[®] TOASTER OVEN BROILER

PRODUCT MAY VARY SLIGHTLY FROM ILLUSTRATIONS

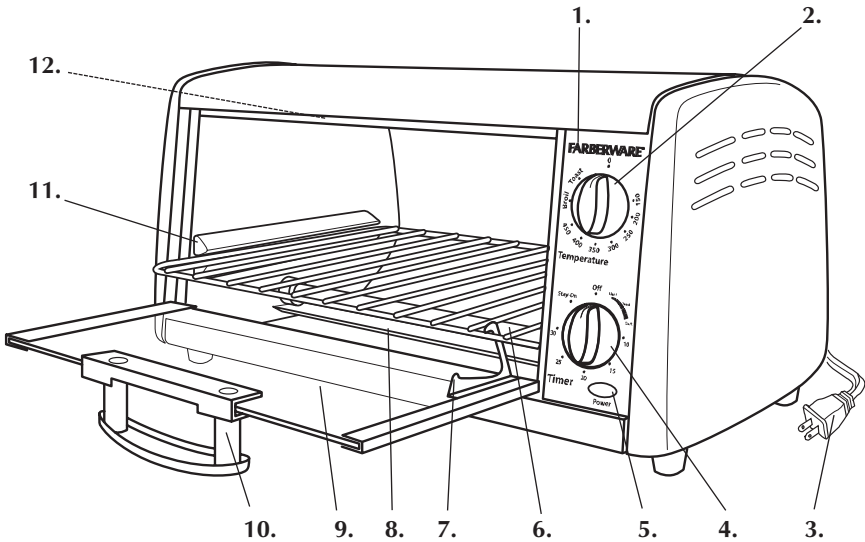


FIGURE 1

- | | |
|---|---------------------------|
| 1. Control Panel | 6. Lower Heating Element |
| 2. Temperature/Function Control | 7. Rack Advance Hook |
| 3. Cord with Polarized Plug | 8. Drop Down Crumb Tray |
| 4. Timer Control
with 30-Minute Timer,
OFF and STAY-ON feature and
TOAST Light/Dark settings | 9. Glass Door |
| 5. Power Indicator Light | 10. Handle |
| | 11. Wire Rack Shelf Guide |
| | 12. Upper Heating Element |

CONTROL PANEL

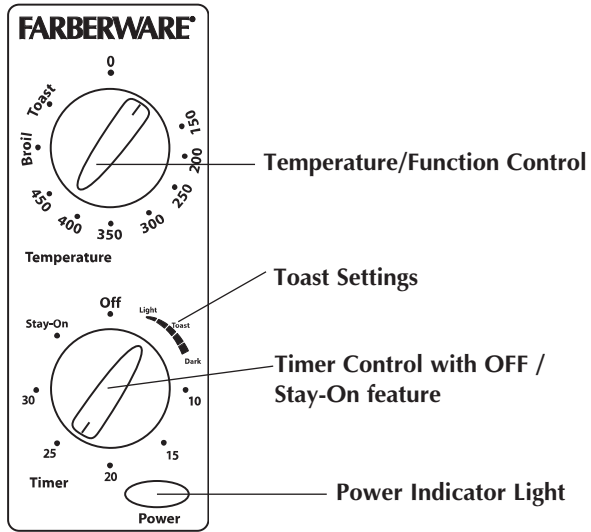


FIGURE 2

ACCESSORIES

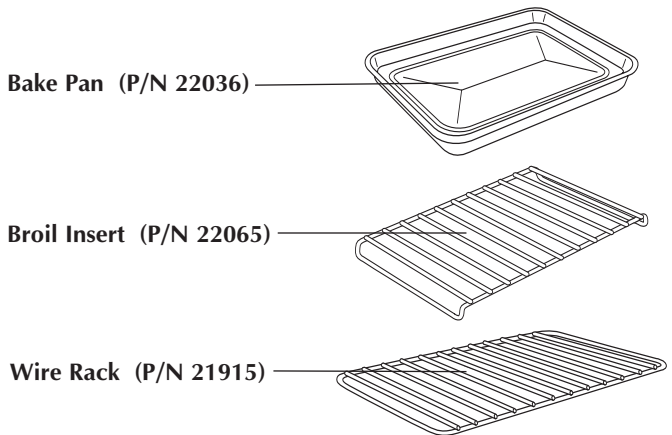


FIGURE 3

OPERATING INSTRUCTIONS

BEFORE FIRST USE

1. Carefully unpack your Toaster Oven Broiler and remove all packaging materials.
2. Place your Toaster Oven Broiler on a level surface such as a countertop or table. Be sure the sides, back, and top of the Toaster Oven Broiler are at least 4 inches away from any walls, cabinets, or objects on the countertop or table.
3. Remove all stickers from the Toaster Oven Broiler except the rating label.
4. Remove Broil Insert, Bake Pan, and Wire Rack and wash in warm, soapy water. Rinse and dry thoroughly before placing in the Toaster Oven Broiler.
5. Remove any dust that may have accumulated during packaging. Simply wipe the Toaster Oven Broiler exterior and interior with a clean, damp cloth. **DO NOT** use abrasive cleansers.

NOTE: Do not put the Toaster Oven Broiler, cord or plug in water.

6. Make sure the Crumb Tray is firmly closed in the bottom of the Toaster Oven Broiler.
7. Slide the Wire Rack into the Shelf Guide until it hits the Rack Advance Hook. Close the Glass Door. When the Glass Door is re-opened, the Wire Rack will automatically advance partially out of the Toaster Oven.

NOTE: The Wire Rack must be used for all cooking functions.

8. Plug into a 120V AC outlet. Close the Glass Door.
9. To eliminate any protective substance or oil that may have been used for packing and shipping, turn the Temperature/Function Control to TOAST and set the Timer Control for 15 minutes. The Power Light will illuminate. A small amount of smoke and odor may be detected. This is normal.
10. To avoid scratching, marring, or discoloration, do not store anything on top of the Toaster Oven Broiler during operation.

CAUTION: Appliance surfaces are hot during and after use.

CAUTION: Always wear protective, insulated oven mitts on hands when touching hot Toaster Oven Broiler or hot dishes and food or when inserting or removing Wire Rack, baking dish and food.

COOKING CONTAINERS

- The Bake Pan included with the Toaster Oven Broiler is suitable for items such as cookies, rolls, biscuits, and pork chops.
- Choose bakeware made of metal, or glass/ceramic without lids.
- Dark or dull pans absorb heat faster; foods will bake more rapidly and crust will brown more easily than in shiny bake pans.
- Check package directions and/or with the ovenware manufacturer to determine if the container is suitable for use in a Toaster Oven Broiler.
- Do not use oven roasting bags in this Toaster Oven Broiler, as they may come in contact with the Heating Elements.

CAUTION: Allow at least 1" air space between the top of the container and the Upper Heating Element. Never use glass lids on glass or metal bakeware. If a lid is necessary, cover tightly with heavy-duty aluminum foil.

INSTRUCTIONS FOR TOAST

1. Make sure the Crumb Tray is firmly closed in the bottom of the Toaster Oven Broiler.
2. Plug into a 120V AC outlet.
3. Remove all protective wrappings from food before placing in Toaster Oven Broiler. Follow toaster food directions.
4. Open the Glass Door. Center food on the Wire Rack. Close the Glass Door.
5. Turn the Temperature/Function Control to TOAST.
6. Turn the Timer Control to 10 then back to the desired Light/Dark setting. Do not set Timer Control past time indicated on Toast Graphics. The Power Light will illuminate.

NOTE: To set the Timer Control for less than 10 minutes, turn to 10 and then turn back to the appropriate amount of time.

NOTE: Do not set the Timer Control to the STAY-ON position when using the Toast function.

As soon as the Timer Control is engaged, the Toaster Oven Broiler will turn ON. Both the top and the bottom Heating Elements may cycle ON and OFF to maintain temperature for the entire TOAST cycle time.

CAUTION: As soon as the Timer Control is engaged, both Heating Elements will become hot immediately. Use care not to place anything on top of the Toaster Oven Broiler. Do not touch the Toaster Oven Broiler or any part of the unit without wearing oven mitts.

INSTRUCTIONS FOR TOAST *(CONTINUED)*

7. With the Timer Control set, the Toaster Oven Broiler will shut OFF automatically when the TOAST cycle is complete. When time set has passed, a signal will sound, and the Timer Control will finish in the OFF position. The Power Light will turn off.

NOTE: Watch toast until desired color is achieved.

If toasting is completed before the Timer Control shuts the Toaster Oven Broiler OFF, you may shut the Toaster Oven Broiler OFF manually by turning the Timer Control to the OFF position. The Power Light will turn off.

8. Open the Glass Door. Wear protective oven mitts to remove toast from Toaster Oven Broiler. Be careful when removing toast from the back of the Wire Rack. The inside of the Toaster Oven Broiler is very hot. Close Glass Door.
9. Unplug unit and allow to cool before cleaning.

DO NOT LEAVE TOASTER OVEN BROILER UNATTENDED DURING TOASTING.

See USER MAINTENANCE INSTRUCTIONS. Unplug when not in use.

HINTS FOR TOAST

- Frozen and heavy breads require a longer time setting (e.g. bagels and English muffins).

NOTE: Use extra caution when using this Toaster Oven Broiler for toasting pastry items with runny-type frosting or open fillings.

- When toasting more than one slice of bread, use slices of similar size, thickness and freshness.
- One slice of bread requires a lighter setting than several slices of bread.
- Stale bread, thin bread or sweet bread products, such as tea cakes and fruit loaf, brown much more quickly than ordinary bread, so they should be toasted for less time.
- Different breads require different Toast times. Turn Timer Control to the OFF position and open the Glass Door to check toast color. Close Glass Door and reset Timer Control if more TOAST cycle time is needed.
- For best results, clean the Crumb Tray frequently.

INSTRUCTIONS FOR BAKE

1. Make sure the Crumb Tray is firmly closed in the bottom of the Toaster Oven Broiler.
2. Plug into a 120V AC outlet. Close the Glass Door.
3. Turn the Temperature/Function Control to the desired temperature.
4. Turn the Timer Control to 10 minutes and preheat the Toaster Oven Broiler. After 10 minutes, a signal will sound and the Toaster Oven Broiler will automatically shut OFF.
5. Remove all protective wrappings from food before placing in Toaster Oven Broiler.
6. Open the Glass Door. Use the Baking Tray or an appropriate baking container and center it on the Wire Rack. Close the Glass Door. Bake according to package or recipe time.
7. Turn the Timer Control to the desired time or to the STAY-ON position. The Power Light will illuminate.

NOTE: To set the Timer Control for less than 10 minutes, turn to 10 and then turn back to the appropriate amount of time.

As soon as the Timer Control is engaged, the Toaster Oven Broiler will turn ON. Both the top and the bottom Heating Elements will cycle ON and OFF to maintain temperature for the entire Bake time.

CAUTION: As soon as the Timer Control is engaged both Heating Elements will become hot immediately. Use care not to place anything on top of the Toaster Oven Broiler. Do not touch the Toaster Oven Broiler or any part of the unit without wearing oven mitts.

8. With the Timer Control set, the Toaster Oven Broiler will shut OFF automatically when the Bake cycle is complete. When the Bake time is complete, a signal will sound, and the Timer Control will finish in the OFF position. The Power Light will turn off. If cooking is completed before the Timer Control shuts the Toaster Oven Broiler OFF, you may shut the Toaster Oven Broiler OFF manually by turning the Timer Control to the OFF position. The Power Light will turn off.

NOTE: If the STAY-ON position has been selected, the Toaster Oven Broiler must be shut off manually by turning the Timer Control to the OFF position. The Power Light will turn off.

9. Open the Glass Door. Wear protective oven mitts to remove food from Toaster Oven Broiler. The inside of the Toaster Oven is very hot. Close the Glass Door.
10. Unplug the unit and allow to cool completely before cleaning.

NOTE: Do not use glass covers on baking pans. If using a glass/ceramic baking container, make sure it is at least 1 inch away from the Top Heating Element.

DO NOT LEAVE TOASTER OVEN BROILER UNATTENDED DURING BAKING.

See USER MAINTENANCE INSTRUCTIONS. Unplug when not in use.

HINTS FOR BAKE

- For best results, use Bake Pan to minimize clean-up due to spills.
- Heavy-duty aluminum foil may be used to cover top of baking container to reduce over browning. Tuck ends of foil closely against edge of pan.
- Place food toward the back of the Toaster Oven Broiler for better browning.
- Food may cook faster than package or recipe time. Check for doneness prior to end of cook time.
- Rotate and turn food over halfway through the cooking process for more even browning .
- To prevent heat loss, avoid opening the Glass Door excessively.

INSTRUCTIONS FOR BROIL

1. Make sure the Crumb Tray is firmly closed in the bottom of the Toaster Oven Broiler.
2. Plug into a 120V AC outlet.
3. Remove all protective wrappings from food before placing in Toaster Oven Broiler.
4. Place the Broil Insert on top of the Bake Pan. Place food directly onto the Broil Pan Assembly. **When broiling, both the Bake Pan and the Broil Insert must be used.** Brush food with sauces or oil as desired. Broil according to recipe or package instructions.
5. Open the Glass Door. Place the Broil Pan Assembly with food onto the Wire Rack and close the Glass Door. The Bake Pan will catch any juices that drip during broiling. Never cover the Broil Insert with aluminum foil as this prevents juices and fat from dripping into the Bake Pan.
6. Turn the Temperature/Function Control to BROIL.
7. Turn the Timer Control to the desired time. The Power Light will illuminate.

NOTE: To set the Timer Control for less than 10 minutes, turn to 10 and then turn back to the appropriate amount of time.

NOTE: Do not set the Timer Control to the STAY-ON position when using the Broil function.

As soon as the Timer Control is engaged, the Toaster Oven Broiler will turn ON. Only the Top Heating Element will heat when the Broil function is used.

CAUTION: As soon as the Timer Control is engaged the Top Heating Element will become hot immediately. Use care not to place anything on top of the Toaster Oven Broiler. Do not touch the Toaster Oven Broiler or any part of the unit without wearing oven mitts.

INSTRUCTIONS FOR BROIL *(CONTINUED)*

8. With the Timer Control set, the Toaster Oven Broiler will shut OFF automatically when the BROIL cycle is complete. When the BROIL time set has passed, a signal will sound, and the Timer Control will finish in the OFF position. The Power Light will turn off.

NOTE: Watch food until desired doneness is achieved.

If broiling is completed before the Timer Control shuts the Toaster Oven Broiler OFF, you may shut the Toaster Oven Broiler OFF manually by turning the Timer Control to the OFF position. The Power Light will turn off.

9. When broiling food that needs to be cooked on two sides, set the Timer Control for half the recipe time (the cooking time necessary for one side). Broil the top side as instructed, watching carefully as the food cooks. When the first BROIL time set has passed, a signal will sound, and the Timer Control will finish in the OFF position. The Power Light will turn off.

Wear protective oven mitts to carefully pull the Broil Pan Assembly about halfway out of the Toaster Oven Broiler. Turn food over, slide the Broil Pan Assembly back into the Toaster Oven Broiler and close the Toaster Oven Broiler Glass Door. Turn the Timer Control for the balance of BROIL time and continue to cook until done.

10. Open the Glass Door. Wear protective oven mitts to remove food from Toaster Oven Broiler. Be careful when removing food. The inside of the Toaster Oven Broiler is very hot. Close the Glass Door.
11. Unplug unit and allow to cool completely before cleaning.

DO NOT LEAVE TOASTER OVEN BROILER UNATTENDED DURING BROILING.

See USER MAINTENANCE INSTRUCTIONS. Unplug when not in use.

INSTRUCTIONS FOR TOP BROWN

To Top Brown foods, follow the INSTRUCTIONS FOR BROIL but place the food on the Bake Pan on the Wire Rack.

DO NOT LEAVE TOASTER OVEN BROILER UNATTENDED DURING TOP BROWNING.

See USER MAINTENANCE INSTRUCTIONS. Unplug when not in use.

HINTS FOR TOP BROWN

- Top Brown may be used to top brown bagels (cut side up), English muffins or to melt cheese on sandwiches or casseroles.
- For best results use Bake Pan to minimize clean-up due to spills.
- Watch food to avoid over-browning.

INSTRUCTIONS FOR KEEP WARM

1. Make sure the Crumb Tray is firmly closed in the bottom of the Toaster Oven Broiler.
2. Plug into a 120V AC outlet.
3. Remove all protective wrappings from food before placing in Toaster Oven Broiler.
4. Open the Glass Door. Center a baking container or food on the Wire Rack or the Bake Pan and close the Glass Door.
5. Turn the Temperature/Function Control to 200°F.
6. Turn the Timer Control to the desired time or to the STAY-ON position. The Power Light will illuminate.

NOTE: To set the Timer Control for less than 10 minutes, turn to 10 and then turn back to the appropriate amount of time.

As soon as the Timer Control is engaged, the Toaster Oven Broiler will turn ON. Both the top and the bottom Heating Elements will cycle ON and OFF to maintain temperature for the entire Keep Warm time.

CAUTION: As soon as the Timer Control is engaged, both Heating Elements will become hot immediately. Use care not to place anything on top of the Toaster Oven Broiler. Do not touch the Toaster Oven Broiler or any part of the unit without wearing oven mitts.

7. With the Timer Control set, the Toaster Oven Broiler will shut OFF automatically when Keep Warm is complete. When the Keep Warm time is complete, a signal will sound, and the Timer Control will finish in the OFF position. The Power Light will turn off. If Keep Warm is completed before the Timer Control shuts the Toaster Oven Broiler OFF, you may shut the Toaster Oven Broiler OFF manually by turning the Timer Control to the OFF position. The Power Light will turn off.

NOTE: If the STAY-ON position has been selected, the Toaster Oven Broiler must be shut off manually by turning the Timer Control to the OFF position. The Power Light will turn off.

8. Open the Glass Door. Wear protective oven mitts to remove food from Toaster Oven Broiler. Be careful when removing food. The inside of the Toaster Oven Broiler is very hot. Close the Glass Door.
9. Unplug unit and allow to cool completely before cleaning.

DO NOT LEAVE TOASTER OVEN BROILER UNATTENDED DURING KEEP WARM.

See USER MAINTENANCE INSTRUCTIONS. Unplug when not in use.

HINTS FOR KEEP WARM

- For best results use Bake Pan to minimize clean-up due to spills.
- Use for short periods of time after food is cooked.
- To heat frozen or cold foods, see INSTRUCTIONS FOR DEFROST.

INSTRUCTIONS FOR DEFROST

1. Make sure the Crumb Tray is firmly closed in the bottom of the Toaster Oven Broiler.
2. Plug into a 120V AC outlet.
3. Remove all protective wrappings from food before placing in Toaster Oven Broiler.
4. Open the Glass Door. Center a baking container or food on the Wire Rack or the Bake Pan and close the Glass Door.
5. Turn the Temperature/Function Control to 200°F.
6. Turn the Timer Control to the package or recipe defrost time or to the STAY-ON position. The Power Light will illuminate.

NOTE: To set the Timer Control for less than 10 minutes, turn to 10 and then turn back to the appropriate amount of time.

As soon as the Timer Control is engaged, the Toaster Oven Broiler will turn ON. Both the top and the bottom Heating Elements will cycle ON and OFF to maintain temperature for the entire Defrost time.

CAUTION: As soon as the Timer Control is engaged, both Heating Elements will become hot immediately. Use care not to place anything on top of the Toaster Oven Broiler. Do not touch the Toaster Oven Broiler or any part of the unit without wearing oven mitts.

7. With the Timer Control set, the Toaster Oven Broiler will shut OFF automatically when Defrost is complete. When the Defrost time is complete, a signal will sound, and the Timer Control will finish in the OFF position. The Power Light will turn off. If Defrost is completed before the Timer Control shuts the Toaster Oven Broiler OFF, you may shut the Toaster Oven Broiler OFF manually by turning the Timer Control to the OFF position. The Power Light will turn off.

NOTE: If the STAY-ON position has been selected, watch food until the desired temperature is reached. The Toaster Oven Broiler must be shut off manually by turning the Timer Control to the OFF position. The Power Light will turn off.

8. Open the Glass Door. Wear protective oven mitts to remove food from Toaster Oven Broiler. Be careful when removing food. The inside of the Toaster Oven Broiler is very hot. Close the Glass Door.
9. Unplug unit and allow to cool completely before cleaning.

DO NOT LEAVE TOASTER OVEN BROILER UNATTENDED DURING DEFROST.

See USER MAINTENANCE INSTRUCTIONS. Unplug when not in use.

HINTS FOR DEFROST

- Brush frozen dough with vegetable oil to prevent drying out and remove the dough to preheat Toaster Oven Broiler before baking.
- For best results use Bake Pan to minimize clean-up due to spills.
- Do not use this method for meat, poultry or fish.
- Do not cover food.

USER MAINTENANCE INSTRUCTIONS

This appliance requires little maintenance. It contains no user serviceable parts. Do not try to repair it yourself. Any servicing requiring disassembly other than cleaning, must be performed by a qualified appliance repair technician.

GENERAL CARE AND CLEANING

CAUTION: DO NOT use spray-on or other oven cleaners. Using these types of cleaners may cause electrical damage.

1. Make sure the Timer Control is in the OFF position and unplug the Toaster Oven Broiler before cleaning.
2. Allow Toaster Oven Broiler and accessories to cool completely before cleaning.
3. Clean the outside of the Toaster Oven Broiler with a damp cloth and dry thoroughly. A non-abrasive liquid cleaner may be used for stubborn stains. Rinse and dry thoroughly. **DO NOT** use metal scouring pads or abrasive cleaners that will scratch the surface.
4. Clean the Glass Door with a cloth or sponge dampened with warm, sudsy water. Dry thoroughly.
5. Remove Broil Insert, Bake Pan and Wire Rack. Wash in soapy water and dry thoroughly. **DO NOT** use abrasive cleaners or metal scouring pads to clean Broil Insert, Bake Pan or Wire Rack. For stubborn stains, clean with a nylon or polyester mesh pad and a mild, non-abrasive cleaner. Rinse and dry thoroughly.
6. For best results, clean the Crumb Tray frequently. Tilt Toaster Oven Broiler back and pull knob located on the bottom of the Toaster Oven Broiler to open Crumb Tray. (See FIGURE 4.) Wipe with a damp cloth to remove crumbs and spills. Always dry the Crumb Tray thoroughly before closing.

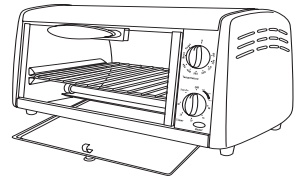


FIGURE 4.
Drop Down Crumb Tray

INTERIOR CLEANING

1. Always unplug unit and allow to cool completely before cleaning or moving.
2. Remove Broil Insert, Bake Pan and Wire Rack.
3. Clean interior with a mild or non-abrasive cleaner and plastic scouring pad after each use to avoid build-up. Do not rub too hard as surface can be scratched.
4. Wipe with a clean, damp cloth. Dry thoroughly before closing the Glass Door.

TO STORE

Unplug unit and allow to cool. Always clean before storing. Store in its box in a clean, dry place. Never store Toaster Oven Broiler while it is hot or still plugged in. Never wrap cord tightly around the appliance. Do not put any stress on the cord where it enters the unit, as it could cause the cord to fray and break.

FARBERWARE®

LIMITED ONE-YEAR WARRANTY

Warranty Coverage: This product is warranted to be free from defects in materials or workmanship for a period of one (1) year from the original purchase date. This product warranty is extended only to the original consumer purchaser of the product and is not transferable. For a period of one (1) year from the date of original purchase of the product, our Repair Center will, at its option, either (1) repair the product or (2) replace the product with a reconditioned comparable model. These remedies are the purchaser's exclusive remedies under this warranty.

Warranty Service: To obtain warranty service, you must call our warranty service number at 1-800-233-9054 for return instructions on how to deliver the product, in either the original packaging or packaging affording an equal degree of protection to the Repair Center specified below. You must enclose a copy of your sales receipt or other proof of purchase to demonstrate eligibility for warranty coverage.

To return the appliance, ship to:

ATTN: Repair Center
708 South Missouri Street
Macon, MO 63552 USA

To contact us, please write to, call, or email:

Consumer Relations Department
PO Box 7366
Columbia MO 65205-7366 USA
1-800-233-9054
E-mail:consumer_relations@toastmaster.com

What Is Not Covered: This warranty does not cover damage resulting from misuse, accident, commercial use, improper service or any other damage caused by anything other than defects in material or workmanship during ordinary consumer use. This warranty is invalid if the serial number has been altered or removed from the product. This warranty is valid only in the United States and Canada.

LIMITATION ON DAMAGES: THERE SHALL BE NO LIABILITY FOR ANY INCIDENTAL OR CONSEQUENTIAL DAMAGES FOR BREACH OF ANY EXPRESS OR IMPLIED WARRANTY OR CONDITION ON THIS PRODUCT.

DURATION OF IMPLIED WARRANTIES: EXCEPT TO THE EXTENT PROHIBITED BY APPLICABLE LAW, ALL IMPLIED WARRANTIES AND CONDITIONS, INCLUDING, WITHOUT LIMITATION, IMPLIED WARRANTIES AND CONDITIONS OF MERCHANTABILITY AND FITNESS FOR A PARTICULAR PURPOSE OR USE ON THIS PRODUCT ARE LIMITED IN DURATION TO THE DURATION OF THIS WARRANTY.

Some jurisdictions do not allow the exclusion or limitation of incidental or consequential damages, or allow limitations on how long an implied warranty lasts, so the above limitations or exclusions may not apply to you. This warranty gives you specific legal rights and you may have other rights under the laws of your jurisdiction.

FARBERWARE® and Millennium® are registered trademarks of Farberware Inc.®
Manufactured and sold pursuant to a license from Farberware Inc.®

For more information on our products, visit our website:
www.esalton.com.

©2005 All rights reserved.
Made in China

P/N 61829
12/05

Free Manuals Download Website

<http://myh66.com>

<http://usermanuals.us>

<http://www.somanuals.com>

<http://www.4manuals.cc>

<http://www.manual-lib.com>

<http://www.404manual.com>

<http://www.luxmanual.com>

<http://aubethermostatmanual.com>

Golf course search by state

<http://golfingnear.com>

Email search by domain

<http://emailbydomain.com>

Auto manuals search

<http://auto.somanuals.com>

TV manuals search

<http://tv.somanuals.com>