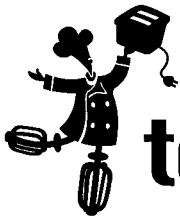


READ AND SAVE THESE INSTRUCTIONS

WARNING: A risk of fire and electrical shock exists in all electrical appliances and may cause personal injury or death. Please follow all safety instructions.



toastmaster®
cookin' in style



4-Slice Toaster-Oven-Broiler

Use and Care Guide

Model TTOB4

- NON-STICK INTERIOR
- LARGE CAPACITY HANDLES 4 SLICES OF TOAST
- 30 MINUTE TIMER
- INCLUDES WIRE RACK AND BAKE/BROIL PAN
- ADJUSTABLE THERMOSTAT

IMPORTANT SAFEGUARDS

When using electrical appliances, basic safety precautions should always be followed to reduce the risk of fire, electric shock and injury to persons, including the following:

- Read all instructions before using appliance.
- Close supervision is necessary when any appliance is used near children.
- This appliance is not for use by children.
- Do not touch hot surfaces. Use handles or knobs and oven mitts.
- Do not operate any damaged appliance. Do not operate with a damaged cord or plug, or after the appliance malfunctions or has been dropped or damaged in any manner. Return appliance to the nearest authorized service center for examination, repair, or adjustment.
- Before using this appliance, move it four to six inches from the wall or any object on the countertop. Do not store any item on top of the appliance. Do not use on surfaces where heat may cause a problem.
- A fire may occur if this appliance touches or is covered by flammable material, including curtains, draperies, walls, etc., when in operation.
- Do not store any materials, other than manufacturer's recommended accessories, in this oven when not in use.
- Do not cover crumb tray or any part of the oven with metal foil. This will cause overheating of the oven.
- Extreme caution should be exercised when using containers constructed of other than metal.
- Do not place any flammable material such as paper, cardboard, plastic, etc. in the oven.
- When broiling, the bake/broil pan must be used.
- Oversized foods or utensils must not be inserted into the toaster-oven-broiler as they may create a fire or risk of electric shock.
- To protect against electric shock do not immerse cord, plug or appliance in water or other liquid. See instructions for cleaning.
- Do not use outdoors or while standing in damp area.
- Do not clean with metal scouring pads. Pieces of the pad may break off and touch electrical parts, creating a risk of electric shock.
- Unplug from outlet when not in use and before cleaning. Always turn temperature control and timer to Off position before unplugging. Allow to cool before attaching or removing parts and before cleaning the appliance.
- **CAUTION:** Never leave toaster-oven-broiler unattended when broiling or toasting.
- Do not let cord hang over edge of table or counter, or touch hot surfaces.
- The toaster-oven-broiler is off when the temperature control and the timer are in the off position.
- Extreme caution must be used when moving an appliance containing hot oil or other hot liquids.

- Use extreme caution when removing bake/broil pan or disposing of hot grease.
- Do not place on or near a hot gas or electric burner or in a heated oven.
- The use of accessory attachments not recommended by Toastmaster Inc. may cause injuries.
- Do not use appliance for other than intended use.

SAVE THESE INSTRUCTIONS

CAUTION: A short power supply cord is provided to reduce the risk of personal injury resulting from becoming entangled in or tripping over a longer cord. Extension cords are available from local hardware stores and may be used if care is exercised in their use. If an extension cord is required, special care and caution is necessary. Also the cord must be: (1) marked with an electrical rating of 125 V and at least 13A., 1625 W., and (2) the cord must be arranged so that it will not drape over the countertop or tabletop where it can be pulled on by children or tripped over accidentally.

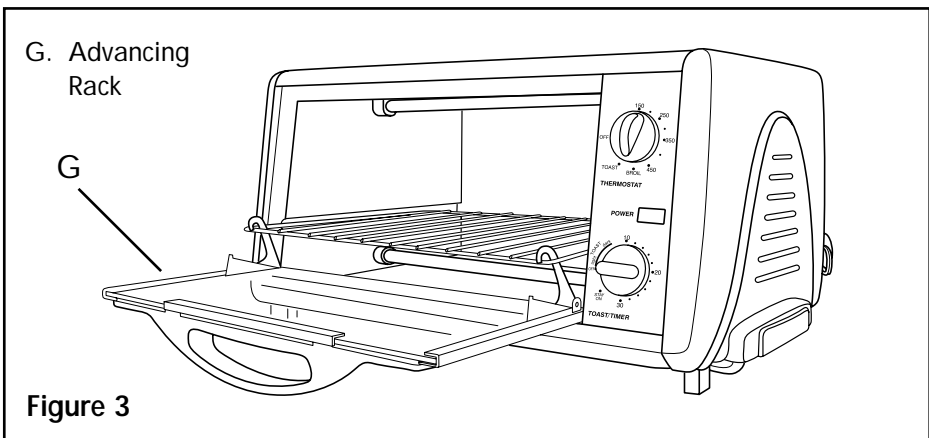
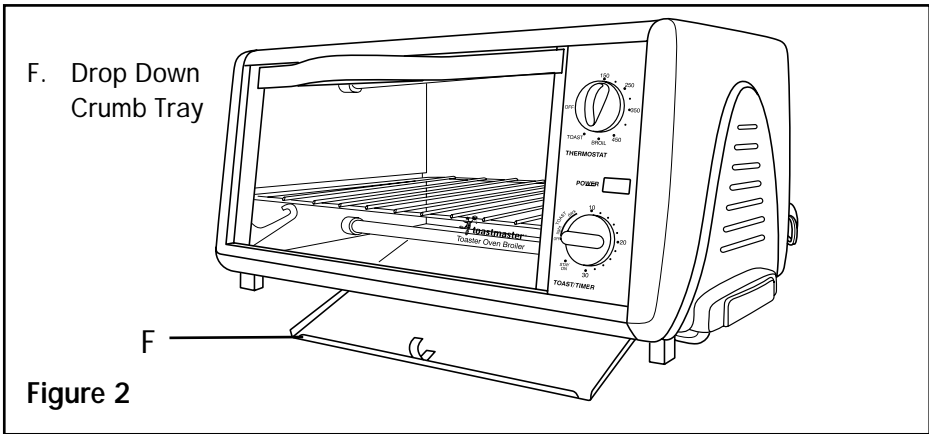
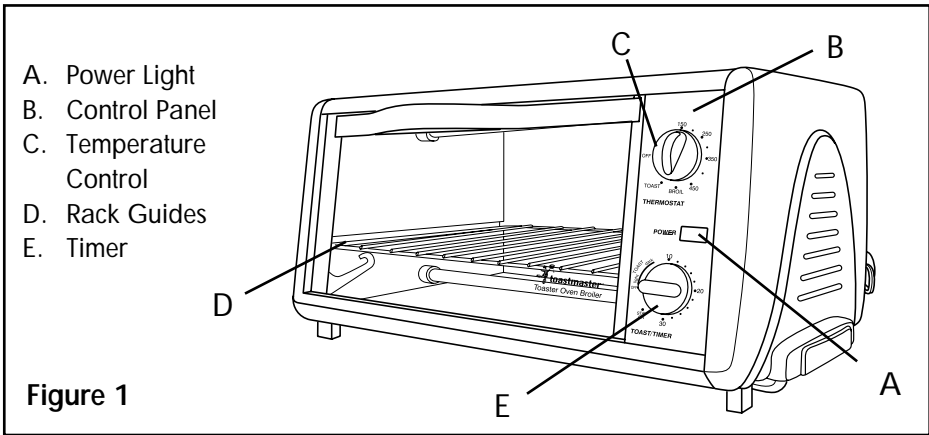
POLARIZED PLUG: This appliance has a polarized plug, (one blade is wider than the other). As a safety feature to reduce the risk of electrical shock, this plug is intended to fit in a polarized outlet only one way. If the plug does not fit fully in the outlet, reverse the plug. If it still does not fit, contact a qualified electrician. Do not attempt to defeat this safety feature.

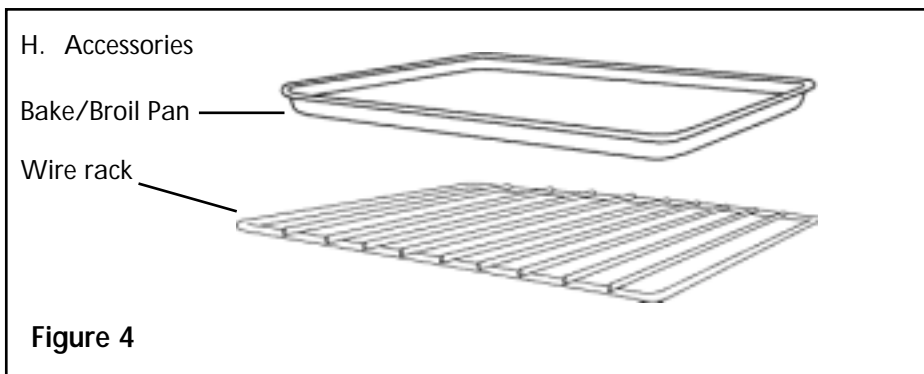
ELECTRIC POWER: If the electric circuit is overloaded with other appliances, your appliance may not operate properly. It should be operated on a separate electrical circuit from other appliances.

This product is for household use only.

Remove all packaging materials including the piece of paper that has been placed between the top of the oven door and oven for protection during shipping. Also remove the piece of cardboard that has also been placed between the bottom of the oven door and the oven.

Your product may vary slightly from illustration.





GETTING TO KNOW YOUR TOASTER-OVEN-BROILER

Your new Toastmaster toaster-oven-broiler has the versatility to bake, broil, defrost, toast, top brown and keep foods warm. The adjustable thermostat allows you to prepare recipes according to package or recipe directions. The Power Light will be on any time the unit is operating. Both upper and lower heating elements will be on when toasting, baking, defrosting, and top browning and keeping foods warm. Only the upper elements will be on when broiling.

CAUTION: APPLIANCE SURFACES ARE HOT DURING AND AFTER USE.

CAUTION: ALWAYS WEAR PROTECTIVE, INSULATED OVEN MITTS ON HANDS WHEN TOUCHING HOT OVEN OR HOT DISHES AND FOOD OR WHEN INSERTING OR REMOVING RACK, PAN OR BAKING DISH.

Ovenware manufacturers do not recommend using see through glass baking containers or lids in this oven. Glass-ceramic baking containers may be used. Do not use oven roasting bags in this oven, as they may come in contact with the heating elements.

BAKE/BROIL PAN AND WIRE RACK

For best results use pan to bake, defrost, top brown, keep warm and to minimize clean-up due to spills. For toasting, place bread directly on rack. When broiling, the pan must be placed on the rack.

TIMER

The timer control dial also acts as the oven's on and off switch. Turn the timer clockwise to select the appropriate cooking time. If cooking less than 30 minutes, turn timer to 30 minutes and then back to desired cooking time. When cooking time is complete, a signal will sound and the unit will turn off automatically.

If you are cooking for more than 30 minutes, or do not wish to use the timer feature, simply turn the dial counter-clockwise to Stay On to turn the oven on. Return to OFF position when cooking is complete.

WIRE RACK

The wire rack must be used for all cooking functions.

INSTRUCTIONS FOR TOAST

1. Place rack in oven.
2. Plug into 120 V ~ 60 Hz outlet.
3. Turn the temperature control clockwise until the dial clicks past the Broil position and into the Toast position. The dial will click twice to reach the toast setting.
4. Center food on rack and set the timer to the desired toast shade. This will start the toast cycle. The power light will come on.
5. The unit shuts off automatically when the cycle is complete. The power light will go off.

NOTE: Watch toast until desired color is achieved and shut off unit manually by turning the timer to the off position. The power light will go off.

HINTS FOR TOAST

- Follow toaster food directions.
- Frozen and heavy bread require a darker setting (e.g. bagels and English muffins.)
- One slice requires a lighter setting than several slices.
- When toasting more than one batch, a lighter setting must be used to obtain the same toast color.

INSTRUCTIONS FOR TOP BROWN

1. Place rack in oven.
2. Plug into 120 V ~ 60 Hz outlet.
3. Turn temperature control to Broil position.
4. Center food on rack or use a bake pan and turn the timer to the desired time. The power light will come on.
5. The unit shuts off automatically when the cycle is complete. The power light will go off. Watch food to avoid over-browning.
6. Unplug and allow to cool before cleaning.

HINTS FOR TOP BROWN

- For a darker color set the timer for additional time to restart the cycle. Watch until desired color is achieved and turn timer off manually.
- Top Brown may be used to top brown bagels, English muffins or melt cheese on sandwiches or casseroles.

INSTRUCTIONS FOR KEEP WARM

1. Place rack in oven.
2. Plug into 120 V ~ 60 Hz outlet.
3. Center a baking container or food on the rack, or use bake pan. Place in oven and close door.
4. Turn temperature control to 150°F. Turn timer to the desired time. The power light will come on.

5. When finished turn temperature and timer controls to the off position. The power light will go off.
6. Unplug and allow to cool completely before cleaning.

HINTS FOR KEEP WARM

- Use for short periods of time after food is cooked.
- To heat frozen or cold foods, see instructions for defrost.

INSTRUCTIONS FOR BAKE

1. Place rack in oven.
2. Plug into 120 V ~ 50-60 Hz outlet. Turn temperature control to desired setting. Preheat if necessary approximately 7 minutes. Turn timer to desired time or to Stay On. The power light will come on.
3. Center a baking container or food directly on rack or use bake pan. Place in rack position of oven and close door.
4. Bake according to package or recipe directions.
5. When finished turn timer control to the off position and the thermostat to its lowest position. The power light will go off.
6. Unplug and allow to cool before cleaning.

HINTS FOR BAKE

- To prevent heat loss, avoid opening door excessively.

INSTRUCTIONS FOR DEFROST

1. Place rack in oven.
2. Plug into 120 V ~ 60 Hz outlet.
3. Turn the temperature control to 150°F and timer to desired time or to Stay on. The power light will come on.
4. Center a baking container or food on rack or use bake pan.
NOTE: Defrost will take approximately 1/3 of the time recommended on the package for defrosting at room temperature.
5. When finished turn the temperature and timer controls to the off position. The power light will go off.
6. Unplug and allow to cool completely before cleaning.

HINTS FOR DEFROST

- Do not use this method for meat, poultry or fish.
- Do not cover food.
- Brush frozen dough with vegetable oil to prevent drying out and remove food to preheat oven before baking.

INSTRUCTIONS FOR BROIL

1. Place rack in oven.
2. Position food on bake/broil pan, place in oven and close door.
3. Plug into 120 V ~ 60 Hz outlet.
4. Turn temperature control clockwise until the dial clicks in the Broil position. Set the timer to the desired time or to Stay on. The power light will come on. Preheating is not necessary.
5. When finished turn temperature and timer controls to the off position. The power light will go off.
6. Broil according to package or recipe directions.
7. Unplug and allow to cool completely before cleaning.

HINTS FOR BROIL

- Always use bake/broil pan; this allows juices and fat to drip into pan and decreases spattering while broiling.
- Trim excess fat from meat and score edges to reduce curling and smoke.
- Always thaw meats before broiling.
- Remove grease from tray and wash after each use.

CLEAN-UP OF INTERIOR

Your toaster-oven-broiler features a drop-down crumb tray.

1. Always unplug and allow to cool completely before cleaning or moving.
2. Remove pan and rack. Wash with a non-abrasive cleaner, rinse and dry thoroughly or clean in a dishwasher.
3. Tilt oven back. Gently pull on crumb tray control to open. See Figure 2.
4. Using a pastry brush sweep crumbs from tray. Bring back to original position, and push tray to lock in place.
5. Slide rack back into the oven and close oven door.

CLEAN-UP OF OVEN DOOR AND EXTERIOR

1. Always unplug and allow to cool completely before cleaning or moving.
2. Clean with glass cleaner or mild detergent and damp cloth or plastic scouring pad. Do not use an abrasive cleaner or pad as they might scratch the finish.
3. Rinse and dry thoroughly with a clean cloth. Allow to dry before closing door.

Any servicing requiring disassembly other than the above cleaning must be performed by an authorized service center.

SERVICE INFORMATION

Please refer to warranty statement to determine if in-warranty service applies. This appliance must be serviced by a Toastmaster authorized service center. Unauthorized service will void warranty. Consult your phone directory under "Appliances-Household-Small-Service and Repair," or call 1-800-947-3744 in the U.S. and Canada, 52-5-397-2848 in Mexico.

If an authorized service center is not available locally, your appliance may be returned postage prepaid to our National Service Center at the address shown on the back of this book.

Products must be adequately protected to avoid shipping damage. Surround your appliance with three inches of protective padding and include a copy of your dated sales receipt and a note explaining the problem you have experienced. We recommend insuring your package. No CODs accepted.

KEEP DATED SALES RECEIPT FOR WARRANTY SERVICE.

Keep this booklet. Record the following for reference:

Date purchased _____

Model number _____

Date code (stamped on bottom) _____

LIMITED ONE-YEAR GUARANTEE

Toastmaster Inc. warrants this product, to original purchaser, for one year from purchase date to be free of defects in material and workmanship.

This warranty is the only written or express warranty given by Toastmaster Inc. This warranty gives you specific legal rights. You may have other rights which vary from state to state. ANY OTHER RIGHT WHICH YOU MAY HAVE, INCLUDING ANY IMPLIED WARRANTY OF MERCHANTABILITY OR FITNESS FOR A PARTICULAR PURPOSE IS LIMITED IN DURATION TO THE DURATION OF THIS WARRANTY.

Defective product may be brought or sent (freight prepaid) to an authorized service center listed in the phone book, or to Service Department, Toastmaster Inc., 708 South Missouri St., Macon, MO 63552, for free repair or replacement at our option.

Your remedy does not include: cost of inconvenience, damage due to product failure, transportation damages, misuse, abuse, accident or the like, or commercial use. IN NO EVENT SHALL TOASTMASTER INC. BE LIABLE FOR INCIDENTAL OR CONSEQUENTIAL DAMAGES.

Some states do not allow limitations on how long an implied warranty lasts, or allow the exclusion or limitation of incidental or consequential damages, so the above limitations or exclusions may not apply to you.

For information, write Consumer Claims Manager, at the Macon address. Send name, address, zip, telephone area code and daytime number, model, serial number, and purchase date.

EVERYBODY EATS. It's a fact of life.

But sometimes preparing
meals can become a chore.

That's why TOASTMASTER has been invited
into millions of kitchens just like yours
so we can HELP YOU MASTER your
mixing, baking, grilling, toasting,
brewing, heating and serving
tasks WITH EASE AND STYLE.

The TOASTMASTER name stands for a
CELEBRATION of INNOVATION designed
to serve your life and keep you
COOKIN' IN STYLE.

Free Manuals Download Website

<http://myh66.com>

<http://usermanuals.us>

<http://www.somanuals.com>

<http://www.4manuals.cc>

<http://www.manual-lib.com>

<http://www.404manual.com>

<http://www.luxmanual.com>

<http://aubethermostatmanual.com>

Golf course search by state

<http://golfingnear.com>

Email search by domain

<http://emailbydomain.com>

Auto manuals search

<http://auto.somanuals.com>

TV manuals search

<http://tv.somanuals.com>