

# Automatic Rice Cooker

USE AND CARE GUIDE  
MODEL TRC7





- ◆ To disconnect, raise Selector Lever to ON/WARM, then remove the plug from wall outlet.
- ◆ Do not operate any appliance with a damaged cord or plug, or after the appliance malfunctions, or has been dropped or damaged in any manner. Contact Consumer Service.

This product is for household use only.

# SAVE THESE INSTRUCTIONS

## Additional Important Safeguards

1. **CAUTION: This appliance generates heat and escaping steam during use. Proper precautions must be taken to prevent the risk of burns, fires or other damage to persons or property.**
2. All users of this appliance must read and understand this Owner's Manual before operating or cleaning this appliance.
3. The cord to this appliance should be plugged into a 120V AC electrical outlet only.
4. Do not leave this appliance unattended during use.
5. If this appliance begins to malfunction during use, immediately unplug the cord. Do not use or attempt to repair the malfunctioning appliance! Do not use the Inner Pot or Glass Lid if cracked or damaged.
6. Do not use the **WARM** Mode to reheat cold rice or other foods.
7. Use the Automatic Rice Cooker on a hard, flat surface. Don't place it near a flame or heat or on a soft surface (such as carpet). Avoid placing it where it may tip over during use. Dropping the Rice Cooker could cause it to malfunction.
8. Avoid electric shock by unplugging the Rice Cooker before washing or adding water.

9. To avoid burns, stay clear of the Steam Vent during cooking. Also, wait for the Rice Cooker to cool down completely before touching or cleaning the Main Housing and Glass Lid.
10. Never use the Inner Pot on a gas or electric cooktop or on an open flame.
11. Do not leave the plastic Rice Paddle or Rice Measuring Cup in the Inner Pot while on and in use.
12. Lift off Lid carefully to avoid scalding, and allow water to drip into Rice Cooker.
13. To reduce the risk of electric shock, cook only in the removable container (Inner Pot). Do not pour liquid directly into the Main Housing.
14. THIS APPLIANCE IS FOR HOUSEHOLD USE ONLY.

## Polarized Plug

This appliance has a polarized plug (one blade is wider than the other). To reduce the risk of electric shock, this plug is intended to fit into a polarized outlet only one way. If the plug does not fit fully in the outlet, reverse the plug. If it still does not fit, contact a qualified electrician. Do not attempt to modify the plug in any way.

## Short Cord Instructions

A short power-supply cord is provided to reduce the risk resulting from becoming entangled in or tripping over a longer cord.

Longer extension cords are available and may be used if care is exercised in their use.

If a longer extension cord is used, (1) the marked electrical rating of the extension cord should be at least as great as the electrical rating of the appliance, and (2) the longer cord should be arranged so that it will not drape over the counter top or table top where it can be pulled on by children or tripped over unintentionally.



# Before Using For The First Time

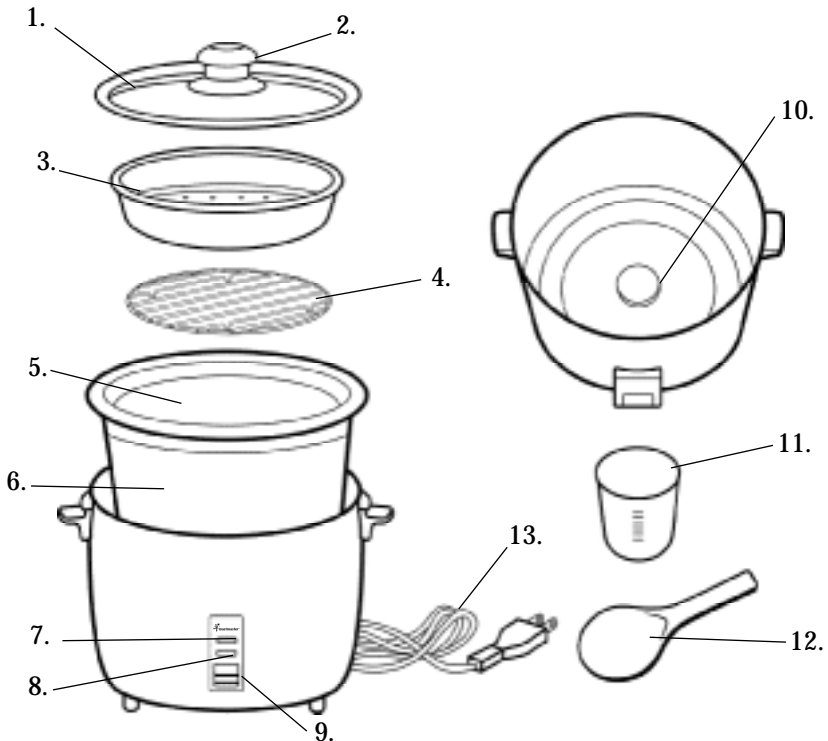
Clean the Glass Lid, Inner Pot, Rice Paddle and Measuring Cup following the Cleaning Instructions on page 13.

**DO NOT IMMERSE THE HEATING BODY OF THE RICE COOKER IN WATER OR ANY OTHER LIQUID!**

## Getting To Know Your TRC7 7 Cup Automatic Rice Cooker with Steaming Tray

Before using your Automatic Rice Cooker for the first time, you must become familiar with all of the parts. Read all instructions and safeguards carefully.

Product May Vary Slightly From Illustrations.



- |                                      |                               |                                       |
|--------------------------------------|-------------------------------|---------------------------------------|
| 1. Glass Lid Assembly<br>(P/N 20138) | 5. Inner Pot<br>(P/N 20136)   | 11. Rice Measuring Cup<br>(P/N 20111) |
| 2. Lid Handle<br>(P/N ) 20652        | 6. Main Housing               | 12. Ladle<br>(P/N 20112)              |
| 3. Steaming Tray<br>(P/N 20134)      | 7. <b>WARM</b> Light          | 13. Power Supply Cord                 |
| 4. Wire Cooking Rack<br>(P/N 20137)  | 8. <b>COOK</b> Light          |                                       |
|                                      | 9. Rice Cooking Switch Button |                                       |
|                                      | 10. Heating Plate             |                                       |

## Important Information

READ BEFORE USING YOUR AUTOMATIC RICE COOKER FOR THE FIRST TIME.

- ◆ Read all instructions.
- ◆ Wash Inner Pot, Wire Cooking Rack, Glass Lid, Rice Measuring Cup and Rice Paddle in warm, soapy water. Rinse and dry well.
- ◆ Never immerse Main Housing in water.
- ◆ Never place liquid in the Main Housing. Place it only in the Inner Pot.
- ◆ Never try to force the Selector Lever to stay in the COOK Mode after it has moved up to the ON/WARM Mode.
- ◆ Never plug in the Cooker without first placing the Inner Pot inside the Main Housing.
- ◆ Always be sure Inner Pot contains liquid, or be ready to add oil, butter or margarine immediately to the Inner Pot when you plug in the Cooker.
- ◆ **Remember that the Rice Measuring Cup is not a standard measuring cup. When filled, it measures 3/4 cup.**
- ◆ Never wash any removable parts of the Cooker in the dishwasher.
- ◆ Save these instructions and refer to them often.
- ◆ If the outside of the Inner Pot is wet when placed into the Cooker, this may cause a cracking noise while the unit heats up. Also, this may cause damage to the inner working of the appliance, so always wipe the outside of the Inner Pot completely dry before use.



# Instructions For Use

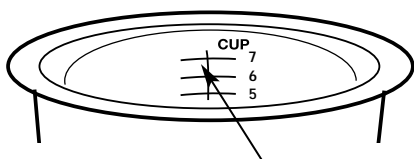
## Cooking Rice

Many varieties of rice can be used, including basmati, wild, black rice, arborio, risotto, saffron rice, brown, and long grain. We do not recommend using instant rice with this Rice Cooker.

1. Measure the amount of rice that you would like to cook. A 180 ml (3/4 cup) Rice Measuring Cup is included with your Rice Cooker. Filling the cup with rice makes approximately 2 - 1/4 cups of cooked rice.

**NOTE: Make sure that the rice is leveled when the cup is filled. The 7 Cup Automatic Rice Cooker has the capacity for 7 Rice Measuring Cups of dry rice.**

2. For Best Results: Pour desired amount of rice into a separate container. Wash and rinse the rice until the rinse water is clear.\*
3. Take the Inner Pot out of the Rice Cooker. Place the washed rice into the Inner Pot and add appropriate amount of water. (If you are making 7 cups of dry rice, add water to the "7" mark in the inside of the Inner Pot.)



Add water up to the 7-cup line

Use Rice Measuring Cup provided to measure 7 level Rice Measuring Cups of rice. Rinse, if desired.

Add rice to the Cooking Pot

4. Replace the Inner Pot back into the Automatic Rice Cooker's Main Housing. Rotate it slightly to make sure that it is well seated on the Heating Plate.

**NOTE: Make sure to always wipe down the outer surface of the Inner Pot. If the Inner Pot is wet when placed into the Cooker, this may cause a cracking noise while the unit heats up. Keep the outer surface dry to prevent damage to the inner workings of the appliance.**

- \* For information regarding rinsing rice, please refer to General Information on page 10.

5. Replace the Glass Lid.

**CAUTION: Do not operate the Automatic Rice Cooker without replacing the Lid. Burns or other serious injury may occur.**

6. Plug the Automatic Rice Cooker into a 120V AC electrical outlet. Press the Rice Cooking Selector Lever down and the COOK Light will illuminate. The cooking process begins as soon as the Light illuminates.
7. When the Automatic Rice Cooker is done cooking, the WARM Light will illuminate. For best results, let the cooked rice sit for 15 minutes before stirring or removing. This allows the steam to finish the cooking process.
8. Mix the rice. After rice has steamed for 15 minutes, carefully open the Lid as steam will escape. Use the Rice Paddle provided or any other non-metal long-handle utensil to scoop and mix the rice well. Allow all steam to escape.
9. Keep Warm. When the cooking is completed, the Automatic Rice Cooker will automatically go into the WARM Mode. At this time, the WARM Light will illuminate.

NOTE: Do not warm rice for more than 12 hours. It is recommended to consume the rice within a 12 hour period.

If the WARM Mode is not desired, simply unplug the Automatic Rice Cooker from the wall. Do not touch the Main Housing or Inner Pot until they have cooled completely.

10. Allow the Automatic Rice Cooker to cool completely before cleaning.
11. When the Automatic Rice Cooker is not being used, please keep it unplugged.





# Steaming Food

## General Information

Keep the Glass Lid on while cooking or steaming food, unless the recipe or chart specifically calls for removing it. By removing the Glass Lid unnecessarily, you lose steam and valuable time. If you must remove it to stir or to add an ingredient, have the Rice Paddle or ingredient ready, add it, stir quickly and just as quickly replace the Glass Lid.

## Using the Steaming Tray and Cooking Rack

The Steaming Tray is specifically designed to steam vegetables. When steaming large vegetables, the Cooking Rack is a convenient addition.

1. Clean and prepare your vegetables. Cut vegetables into bite-sized pieces.
2. Place the Inner Pot into the Rice Cooker Body. Be sure the Inner Pot is seated properly. Measure appropriate amount of water and add to Inner Pot (see water measurements/time following).
3. When steaming smaller vegetables or chunks, place vegetables directly into the Steaming Tray. (If you are cooking combinations of vegetables, be sure they require the same cooking time and also cut pieces uniformly to assure all vegetables will be finished steaming at the same time.)
4. Then place the Steaming Tray onto the rim of the Inner Pot and cover with Glass Lid.
5. If you are cooking large food, place the Cooking Rack directly into the Inner Pot. Place food onto the Rack and cover with the Glass Lid. Or, you may place food to be steamed into a heat resistant container such as a bowl, and place the container on the Wire Cooking Rack. Periodically check water level so Pot does not boil dry.
6. Plug the cord into a 120V AC electrical outlet. Move the Rice Cooking Switch to the **COOK** position. Make sure the **COOK** Light is on. Steaming will start shortly.
7. Allow vegetables to steam to desired doneness. See "Vegetable Steaming Chart." Move Switch to **WARM** and unplug after use.

## Fresh Vegetable Steaming Chart

Vegetable	Amount	Water	Cook Time
Artichoke, Whole	2 medium	2-1/2 cups	44-46 min.
Asparagus	3/4 lb. (15 spears)	1-1/2 cups	12-14 min.
Broccoli	1/2 lb. (2" florets, 1" stems)	1-1/2 cups	13-16 min.
Brussels Sprouts	12 oz.	2-1/2 cups	17-19 min.
Cabbage	2 lb. (quartered)	2-1/2 cups	29-31 min.
Carrots	3 medium (1/2" slices)	1-1/2 cups	14-16 min.
Cauliflower	3/4 lb. (3" florets)	1-1/2 cups	17-19 min.
Corn-On-The-Cob	3 small ears	1-1/2 cups	15-17 min.
Green Beans, Whole	1/2 lb. (tips removed)	1-1/2 cups	13-15 min.
Potatoes: All-Purpose	4 (5 to 6 oz. each)	2-1/2 cups	40-42 min.
New	6 (4 oz.)	3 cups	33-36 min.
Sweet Potato	4 (6 oz. each)	2-1/2 cups	36-38 min.
Spinach	1/2 lb. leaves & stems	1-1/2 cups	10-12 min.

## Frozen Vegetable Steaming Chart

Vegetable	Amount	Water	Cook Time
Broccoli (Spears)	1 package (10 oz.)	3/4 cup	12-14 min.
Brussels Sprouts	1 package (10 oz.)	3/4 cup	14-16 min.
Cauliflower	1 package (10 oz.)	3/4 cup	13-14 min.



# Cooking Rice

## General Information

Rice is grown on marshy land that floods easily. It does not need to be milled or ground; only the outer husks must be removed, leaving behind what is known as brown or whole rice, the most nutritious of rices.

Information has recently been published about more healthful ways to eat, by consuming less fat, less protein and more complex carbohydrates in our diets. Because brown rice is about 8% protein, 87% carbohydrates and almost no fat, it is a perfect ingredient in a healthful diet.

Because rice is a valuable source of carbohydrates, it is starchy by nature. To obtain fluffier, less starchy rice, you can rinse the rice before cooking. But by rinsing or soaking the rice, you lose some of the vitamins, which are water soluble. Therefore, rinsing or soaking rice is not recommended because of the nutrient loss.

## Types of Rice

**Brown Rice** - Contains more vitamin B complex, iron and calcium and takes longer to cook (about 50 minutes) than white rice. Its flavor is nutty and its texture is chewy. (See Cooking Chart on page 11.)

**White Rice** - Includes several kinds of white rice, most of which can be prepared in your Automatic Rice Cooker. (See Cooking Chart on page 11.)

**Long-Grain Rice** - Less starchy than short-grain rice, so it separates into individual grains more than short-grain rice.

**Short-Grain Rice** - More moist and tender than long-grain rice. It has a softer texture and starchier flavor.

White rice will take about 20-25 minutes to cook, (brown rice approximately 50 minutes). When rice is done, the Automatic Rice Cooker will automatically go into the **WARM** Mode and the **AMBER ON/WARM** Light will go on. Allow rice to stand on **WARM** for 10 to 15 minutes to ensure fluffy rice. You can keep cooked rice on the **WARM** setting for several hours without the taste of the rice being affected. Do not remove Cover until ready to serve. **The Inner Pot remains very hot after cooking or keeping warm. Use a pot holder when handling.**

## Long Grain Brown Rice Cooking Chart

Allow about 50 minutes to cook brown rice. The Automatic Rice Cooker automatically switches from COOK Mode (RED Light) to WARM Mode (AMBER Light) when all the liquid evaporates from the Inner Pot. However, for fluffy rice, allow rice to stand for approximately 10 minutes, covered, on WARM before serving.

NOTE: Always place rice in Inner Pot before adding water.

Amount of Raw Rice	Water Level	Approx. Number of 1/2 cup servings
2 Rice Measuring Cups	to 4-cup line	8
3 Rice Measuring Cups	to 5-cup line	12
4 Rice Measuring Cups	to 6-cup line	16
5 Rice Measuring Cups	to 7-cup line	20

## Long Grain White Rice Cooking Chart

Allow about 25 minutes to cook white rice. The Automatic Rice Cooker automatically switches from COOK Mode (RED Light) to WARM Mode (AMBER Light) when all the liquid evaporates from the Inner Pot. However, for fluffy rice, allow rice to stand for approximately 15 minutes, covered, on WARM before serving.

Amount of Raw Rice	Water Level	Approx. Number of 1/2 cup servings
2 Rice Measuring Cups	to 2-cup line	8
4 Rice Measuring Cups	to 4-cup line	16
6 Rice Measuring Cups	to 6-cup line	28



# Cooking Legumes & Grains

## General Information

High-protein, high-fiber meatless dishes of legumes and grains can be very satisfying and very delicious.

## Cooking Instructions

Measure legumes or grain with the Automatic Rice Cooker Measuring Cup, and pour into the Inner Pot. Fill Inner Pot with water to desired cup line. Cover. Plug Power Cord into a 120V AC electrical outlet. The AMBER ON/WARM Light will go on. Push Lever down to begin COOK Mode. The RED COOK Light will illuminate. Legumes and grains tend to foam while cooking. To help minimize foaming, stir after cooking one hour. If any liquid remains at the end of the recommended cooking time, switch to WARM Mode and let stand until liquid is absorbed. For added flavor, substitute broth for water. Do not allow the Automatic Rice Cooker to boil dry.

## Legumes & Grains Cooking Chart

Legume/Grain	Amount	Water Level	Cook Time
Barley	1 Rice Measuring Cup	to 6-cup line	50-60 min.
Great Northern	1 Rice Measuring Cup	to 7-cup line	1 hr. 50 min.- 2 hrs.
Kasha	1 Rice Measuring Cup	to 2-cup line	10-12 min.
Lentils	1 Rice Measuring Cup	to 5-cup line	50-60 min.
Split Peas	1 Rice Measuring Cup	to 5-cup line	50-60 min.

## User Maintenance Instructions

This appliance contains no user serviceable parts. Do not try to repair it yourself. Any servicing requiring disassembly other than cleaning must be performed by a qualified appliance repair technician.

Always remember to unplug the unit from the wall outlet when not in use and before cleaning.

## Cleaning Instructions

- ◆ **PLEASE NOTE:** It is normal to have a brown 'rice crust' coating the bottom layer of the Inner Pot when the rice has finished cooking and steaming.
- ◆ This appliance should be cleaned after every use. Unplug the unit from the wall outlet. NEVER immerse Main Housing or Power Cord in water. Allow the unit to cool before cleaning.
- ◆ Let the Rice Cooker cool. Fill Inner Pot with warm water and allow to sit for a while. Wash in warm, soapy water with a sponge and dry thoroughly with a cloth.
- ◆ The Wire Cooking Rack, Glass Lid, Rice Measuring Cup and Rice Paddle may also be washed in warm, soapy water.  
**CAUTION: Handle the Glass Lid with extreme care, as it may become slippery when wet.**
- ◆ Do not wash Inner Pot or Wire Cooking Rack in dishwasher.
- ◆ The Main Housing can be wiped clean with a soft, slightly damp cloth or sponge.
- ◆ **NEVER POUR LIQUID INTO THE MAIN HOUSING OR IMMERSE IT IN WATER.**

## Other Suggestions For Use and Care

- ◆ Be careful not to dent the Inner Pot, especially the bottom of it. To work properly and produce the best cooking results, the Inner Pot must fit snugly on top of the thermostat.
- ◆ DO NOT let loose grains of rice or other food particles fall into the bottom of the Main Housing because they might prevent the thermostat from fitting tightly against the bottom of the Inner Pot and cause inadequate cooking.
- ◆ Use the plastic Rice Paddle or a wooden spoon to stir and remove food from the Inner Pot. NEVER use any metal utensils.
- ◆ Never use abrasive cleansers or scouring pads because they can damage the finish of both the Inner Pot and Main Housing.

## Storing Instructions

Unplug the unit from the wall outlet and clean all parts. Be sure all parts are dry before storing. Store appliance in its box or in a clean, dry place. Never store it while it is hot, wet or still plugged in. Never wrap Power Cord around the appliance. To avoid damage to the Inner Pot or Glass Lid, wrap a soft cloth around the Lid and store it upside down over the Inner Pot.



# Why Rice & Whole Grains?

Grains (including rice) are finally getting the attention they deserve as they move into the nutritional spotlight. The new USDA dietary recommendations highlight grains and legumes as an essential part of a healthy, whole foods diet. With their impressive fiber, complex carbohydrates and protein profiles, they are, without a doubt, some of Mother Nature's most perfect foods.

Grains are the edible portion of cereal plants. The grain or kernel is technically a complete fruit and houses most of its nutritional value. In addition to their high fiber content, grains are an excellent source of B vitamins and many minerals, including magnesium, iron, zinc, potassium and selenium. The germ oils found in the germ layers of whole grains contain vitamin E, an important antioxidant.

Whole grains that are best served alone or as complements to main dishes include: wheat, rice, rye, quinoa, barley and oats just to name a few. Breads, crackers, pastas and cereals are products made from grains that have been ground into flours. Only flours labeled as whole grain contain the bran and germ portion of the grain. If the label just lists flour even if the flour is labeled as enriched or wheat flour, the nutrient-rich bran and germ portion of the grain have usually been removed.

# Grain Glossary

**Rice** is a staple food in many countries. Although long-grain rice is consumed more than any other rice around the world, it is inferior to brown rice in both taste and nutrition. Brown rice is not only more complete nutritionally, it has a wonderful nutty aroma and flavor.

**Polished rice (white)** has been bleached, cleaned, pearled (polished with talc), then often oiled and coated. This refining process causes the loss of its hull, bran and germ, which are removed from the grain (along with most of its nutrients) leaving only the starchy endosperm. As white rice is rather bland when eaten by itself, it is usually served under steamed or sauteed vegetables and topped with a flavorful sauce, such as curry or peanut.

**Long grain brown rice** contains fiber and the nutrient-rich bran and germ, as well as the starchy endosperm. In addition to being more flavorful, brown rice digests more slowly, which provides energy over a longer period of time. Brown rice is a satisfying meal companion and can even serve as the main focus for a meal. While not as high in protein as wheat and some other grains (10%), the high quality protein in brown rice is easily utilized by the body. Brown rice is also a good source of the B vitamins and several minerals, including magnesium, potassium, zinc, iron, and selenium.

**Wheat berries** are simply the wheat kernel with the hull removed. They can be prepared as you would brown rice, though soaking overnight will speed up cooking time. Their mild and pleasant flavor lends itself well to warm dishes as well as cold salads.

**Barley** has a chewy, hearty texture and is delicious combined with long or short grain brown rice. A versatile grain with a pasta-like consistency, barley is frequently used in soups. Barley contains 10 to 15% protein, is a good source of many B vitamins and contains healthy amounts of magnesium, calcium, iron and potassium.

**Oats**, in the old-fashioned rolled style, make a stick-to-your-ribs meal any time of the day. Add cinnamon and apple pieces or dried fruit before cooking for ready-to-eat convenience. Oats are about 10 to 15% protein and provide cholesterol-lowering fiber along with B vitamins. Because quick oats have been partially processed, resulting in a loss of nutrients, try to use old-fashioned rolled or steel-cut oats whenever possible.





**Quinoa**, one of the ancient “super grains,” is petite in size and delicate in texture. Quinoa has one of the highest protein contents of any grain, and is also high in iron and calcium. Quinoa is a great companion grain in combination dishes and its quick cooking time makes it a convenient substitute for rice in your meals.

**Millet** is a grain that complements a group of grains used together. Its flavor is light, the color is sunny yellow. Millet contains 15% protein, is high in fiber, iron, magnesium and potassium. For those with gluten sensitivity, millet is considered to be one of the most digestible grains.

# Trouble Shooting

<b>Symptom</b>	<b>Possible Solutions</b>
<b>No Indicator Lights are illuminated.</b>	<p>Make sure the Automatic Rice Cooker is plugged in.</p> <p>Check between the Inner Pot and Heating Plate for any foreign substances. Be sure the area is clean.</p> <p>Make sure the Inner Pot is in the Main Housing.</p>
<b>Water overflows during cooking</b>	<p>Before cooking, make sure you don't fill above top water level.</p> <p>Make sure Lid is closed before cooking.</p>
<b>Cooked rice, other grains are too dry or not completely cooked.</b>	<p>Before cooking, make sure you put enough water in for the total amount of rice/grain included.</p> <p>After cooking, add 1/4 cup water and set on WARM cooking cycle for 10 minutes. Stir.</p> <p>Check between the Inner Pot and Heating Plate for any foreign substances. Be sure the area is clean.</p> <p>Be sure to stir the cooked rice/grain as soon as cooking is done. Otherwise, they will clump and become hard on top.</p>
<b>Cooked rice and other grains are too watery.</b>	<p>Before cooking, make sure you don't add too much water for the amount of rice/grain included.</p> <p>Check between the Inner Pot and Heating Plate for any foreign substances. Be sure the area is clean.</p> <p>Make sure the cooking cycle is not interrupted. If the Power Cord is unplugged, the unit will not operate and the rice will not cook.</p>
<b>Rice or other grains are scorched.</b>	<p>Check between the Inner Pot and Heating Plate for any foreign substances. Be sure the area is clean.</p> <p>Be sure to wash the Inner Pot after each use.</p> <p>Be careful not to add easily-scorched ingredients such as sugar to the recipe before cooking.</p>



# Trouble Shooting (Continued)

Symptom	Possible Solutions
---------	--------------------

---

**Steam escapes between Glass Lid and Inner Pot during cooking.**

Check between the Glass Lid and Inner Pot for foreign substances, including rice or grain kernels that may prevent the Glass Lid from closing all the way. Be sure the area is clean.

---

**Warmed rice or grain smells bad or discolored.**

For best results, don't use the WARM option with brown rice or other unrefined grains. The bran in unrefined grains can "break down" when kept at low heat for extended periods of time, causing an unpleasant smell and taste.

Don't warm rice for more than 12 hours.

Make sure the Glass Lid is properly centered in position over Inner Pot when using the WARM option.

Be sure to wash the Inner Pot after each use.

Make sure you don't leave the Serving Rice Paddle or other plastics in the Automatic Rice Cooker while it is cooking or warming.

---

If none of these Trouble Shooting solutions are successful, contact our Consumer Service Dept. at 800-947-3744 for further advice.

## LIMITED ONE YEAR WARRANTY

**Warranty:** This Toastmaster® product is warranted to be free from defects in materials or workmanship for a period of (1) year from the original purchase date. This product warranty covers only the original consumer purchaser of the product.

**Warranty Coverage:** This warranty is void if the product has been damaged by accident in shipment, unreasonable use, misuse, neglect, improper service, commercial use, repairs by unauthorized personnel, normal wear and tear, improper assembly, installation or maintenance abuse or other causes not arising out of defects in materials or workmanship. This warranty is effective only if the product is purchased and operated in the USA, and does not extend to any units which have been used in violation of written instructions furnished with the product or to units which have been altered or modified or to damage to products or parts thereof which have had the serial number removed, altered, defaced or rendered illegible.

**Implied Warranties:** ANY IMPLIED WARRANTIES WHICH THE PURCHASER MAY HAVE ARE LIMITED IN DURATION TO ONE (1) YEAR FROM THE DATE OF PURCHASE. Some states do not allow limitations on how long an implied warranty lasts, so the above limitation may not apply to you.

**Warranty Performance:** During the above one-year warranty period, a product with a defect will be either repaired or replaced with a reconditioned comparable model (at our option) when the product is returned to the Repair Center, or the purchase price refunded. The repaired or replacement product will be in warranty for the balance of the one-year warranty period and an additional one-month period. No charge will be made for such repair or replacement.

**Service and Repair:** Should the appliance malfunction, you should first call toll-free 1 (800) 947-3744 between the hours of 9:00 am and 5:00 pm Central Standard Time and ask for CONSUMER SERVICE stating that you are a consumer with a problem. Please refer to model number TRC7 when you call.

**In-Warranty Service (USA):** For an appliance covered under the warranty period, no charge is made for service or postage. Call for return authorization (1 800 947-3744).

**Out-of Warranty Service:** A flat rate charge by model is made for out-of-warranty service. Include \$ 8.00 (U.S.) for return shipping and handling. We will notify you by mail of the amount of the charge for service and require you to pay in advance for the repair or replacement.

**For Products Purchased in the USA, but Used in Canada:** You may return the product insured, packaged with sufficient protection, and postage and insurance prepaid to the USA address listed below. Please note that all customs duty / brokerage fees, if any, must be paid by you and we will require you to pay the cost of customs duty / brokerage fees to us in advance of our performing any service.

**Risk During Shipment:** We cannot assume responsibility for loss or damage during incoming shipment. For your protection, carefully package the product for shipment and insure it with the carrier. Be sure to enclose the following items with your appliance: any accessories related to your problem, your full return address and daytime phone number, a note describing the problem you experienced, a copy of your sales receipt or other proof of purchase to determine warranty status. C.O.D. shipments cannot be accepted.

### To return the appliance, ship to:

Attn: Repair Center  
Toastmaster Inc.  
708 South Missouri Street  
Macon, MO 63552  
Email: [consumer\\_relations@toastmaster.com](mailto:consumer_relations@toastmaster.com)  
[www.toastmaster.com](http://www.toastmaster.com)

### To contact us, please write to or call:

Toastmaster Inc.  
P.O. Box 6916  
Columbia, MO 65205-6916  
1 (800) 947-3744

**Limitation of Remedies:** No representative or person is authorized to assume for us any other liability in connection with the sale of our products. There shall be no claims for defects or failure of performance or product failure under any theory of tort, contract or commercial law including, but not limited to negligence, gross negligence, strict liability, breach of warranty and breach of contract. Repair, replacement or refund shall be the sole remedy of the purchaser under this warranty, and in no event shall we be liable for any incidental or consequential damages, losses or expenses. Some states do not allow the exclusion or limitation of incidental or consequential damages, so the above limitation or exclusion may not apply to you.

**Legal Rights:** This warranty gives you specific legal rights, and you may also have other rights which vary from state to state.

© 2001 Toastmaster Inc.  
All Rights Reserved

P/N 60914  
Printed in China



toastmaster®

## Keep Dated Sales Receipts for Warranty Service.

Keep this booklet. Record the following for reference:

Date purchased \_\_\_\_\_

Model number \_\_\_\_\_

Date code (stamped on bottom) \_\_\_\_\_

EVERYBODY EATS. It's a fact of life.

But sometimes preparing  
meals can become a chore.

That's why TOASTMASTER has been invited  
into millions of kitchens just like yours  
so we can HELP YOU MASTER your  
mixing, baking, grilling, toasting,  
brewing, heating and serving  
tasks WITH EASE AND STYLE.

The TOASTMASTER name stands for a  
CELEBRATION of INNOVATION designed  
to serve your life and keep you  
COOKIN' IN STYLE.

# Contact Information

## Coordonnées :

## Contacte a:

### **Toastmaster Inc.**

National Service Center  
708 South Missouri Street  
Macon, Mo 63552

In USA and Canada call:

**Consumer Service: 1-800-947-3744**

**Consumer Parts: 1-800-947-3745**

**consumer\_relations@toastmaster.com**

**Hours: 8:00 A.M. - 5:30 P.M. CST**

Aux USA et au Canada, appeler les numéros suivants :

**Service Consommateurs : 1-800-947-3744**

**Pièces Consommateurs : 1-800-947-3745**

**consumer\_relations@toastmaster.com**

**Horaires : De 8h00 à 17h30, heure GMT - 6**

En México:

Toastmaster de México, S.A. de C.V.

Cerrada de Recursos

Hidráulicos Número 6

La Loma Industrial

Tlalnepantla de Baz, C.P. 54060

Estado de México

**52-5-397-2848**

**Horario: 8:00 a.m. hasta 5:30 p.m., hora del Centro**

## CONTACT US/APPELEZ



**1-800-947-3744**



**www.toastmaster.com**



**consumer\_relations@toastmaster.com**

© 2001 Toastmaster Inc.

A Subsidiary of Salton, Inc.

Subsidiare de Salton, Inc.

A una Subsidiaria de Salton, Inc.



**toastmaster®**

**21.**





**toastmaster®**

- Enjoy perfect rice every time
- 7-cup capacity with steaming tray
- Cooks fluffy rice and keeps it warm for up to 12 hours without sticking or burning
- See-through glass lid
- Extra steaming tray for vegetables
- Separate indicator lights identify cooking modes
- Measuring cup and rice paddle included



## **Questions**

Call toll free 1-800-947-3744

Monday – Friday, 8:00 a.m. - 5:30 p.m. CST

[www.toastmaster.com](http://www.toastmaster.com)



## Free Manuals Download Website

<http://myh66.com>

<http://usermanuals.us>

<http://www.somanuals.com>

<http://www.4manuals.cc>

<http://www.manual-lib.com>

<http://www.404manual.com>

<http://www.luxmanual.com>

<http://aubethermostatmanual.com>

Golf course search by state

<http://golfingnear.com>

Email search by domain

<http://emailbydomain.com>

Auto manuals search

<http://auto.somanuals.com>

TV manuals search

<http://tv.somanuals.com>