

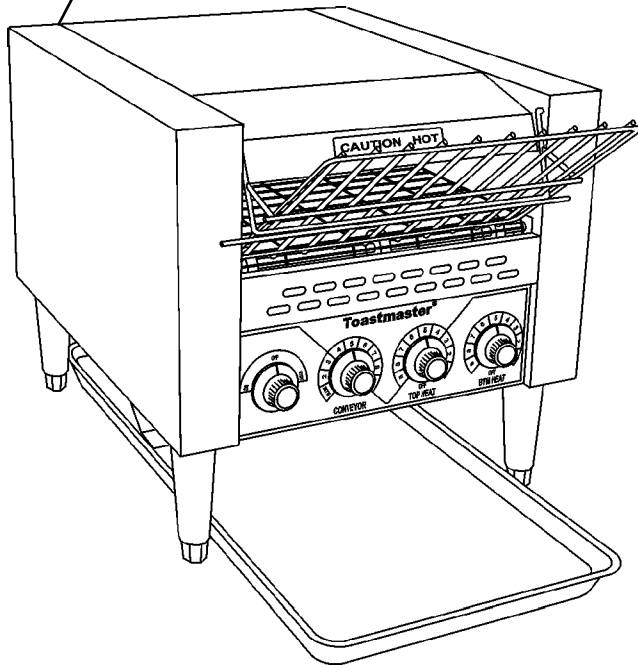
TC17D, TC21D Conveyor Toasters

SPL102505-PF-BD

October 25, 2005



Serial Tag Location
on Left Rear



Serial # Code

First 4 digits - order of production

Fifth digit - model specific

Sixth and Seventh digit - month of production

Eighth and Ninth digit - year of production

Starting Serial # TC17D – 000010104 &
after, TC21D – 000010204 & after

•TC17D 3674-120V

•TC17D 3663-208V

•TC17D 3666-240V

•TC21D 3663-208V

•TC21D 3666-240V

Units with Front Extended Conveyor

•TC17D3 FEC 674-120V

•TC17D3 FEC 663-208V

•TC17D3 FEC 666-240V

•TC21D3 FEC 663-208V

•TC21D3 FEC 666-240V

Parts Manual

with Wiring Diagrams

*for domestic and standard
export toasters*

Table of Contents: Page 2



www.toastmastercorp.com

email: techsupport@middleby.com

1-847-741-3300 fax 1-847-741-4406 (Parts Department)

© 2005 Toastmaster, A Middleby Company



is a registered trademark of Toastmaster, A Middleby Company. All rights reserved.
Middleby Cooking Systems • 1400 Toastmaster Drive • Elgin, IL 60120

Table of Contents

| | |
|---|----|
| Spec Sheet TC17D Series..... | 3 |
| Spec Sheet TC21D Series..... | 5 |
| Key Parts | 7 |
| View of Internal Parts | 8 |
| Parts List for Internal Parts..... | 9 |
| View of External Parts | 10 |
| Parts List for External Parts | 11 |
| Wiring Diagrams (electrical schematics) | |
| 120V TC17 D 52285C | 12 |
| 208/240V TC17 D & 21 D 52287C..... | 13 |
| Notes | 14 |

Conveyor Toaster

Model TC17D3 & TC17D3-FEC (Front Extended Conveyor)



Application

TC17D3 Series Conveyor Toasters are designed to uniformly toast breads, buns, bagels, and muffins in large quantities, using continuous feed methods.

General Information

Product Height:

- Extra-Tall 3" (76 mm) high opening.

Conveyor Type:

- TC17D3 - Conveyor extends to the end of the toasting chamber.
- TC17D3-FEC - Conveyor extends 7" (178 mm) beyond the end of the toasting chamber. Available in front only.

Product Loading:

- TC17D3 is equipped with a loading rack that is angled to feed the product into the toaster continuously.
- TC17D3-FEC has a front

extended conveyor for easier loading of larger bakery products.

Product Delivery:

- Both models are capable of rear-exit pass through operation. They are shipped as front-return models, but can easily be converted to rear-exit operation by following the supplied instructions.

Safety

Unique air flow design keeps case, top, and sides cool. The unit is equipped with an auto cool down feature which allows the fan to cool the outer skin when the unit is turned off.

Construction

Steel construction with a stainless steel finish is used for durability. A stainless steel full-length, slide out crumb tray for easy clean-up. A fiberglass return tray is included.

Electrical

Available in 120V, 208V or 240V, A/C, 1-phase only. Total rated input is 1.97 kW at 120V; 2.62 kW at 208V and 240V; and 2.41 kW for 230V CE toasters. A factory installed 6 ft (1.8 m) cord is included.

Heating

When control is set to "ON", top and bottom tubular elements will turn on to toast both sides of bread. Lightness and darkness of the product is achieved by adjusting the top and bottom heat controls. Standby position allows for energy savings during non-peak periods.

Controls

Rotary 3-position dial selects ON/OFF/STANDBY positions. A conveyor speed dial controls the belt speed. Heat dials control the upper and lower heating elements.

Accessories

Fiberglass return tray.
Angled loading rack (supplied with TC17D3)
Horizontal loading rack (optional)
Stainless steel tray (optional) fits both models as an exit tray. May also be used as a loading tray for TC17D3-FEC.

Warranty

Warranty includes one year parts and labor, on-site service. (U.S.A. only).

Ordering Information

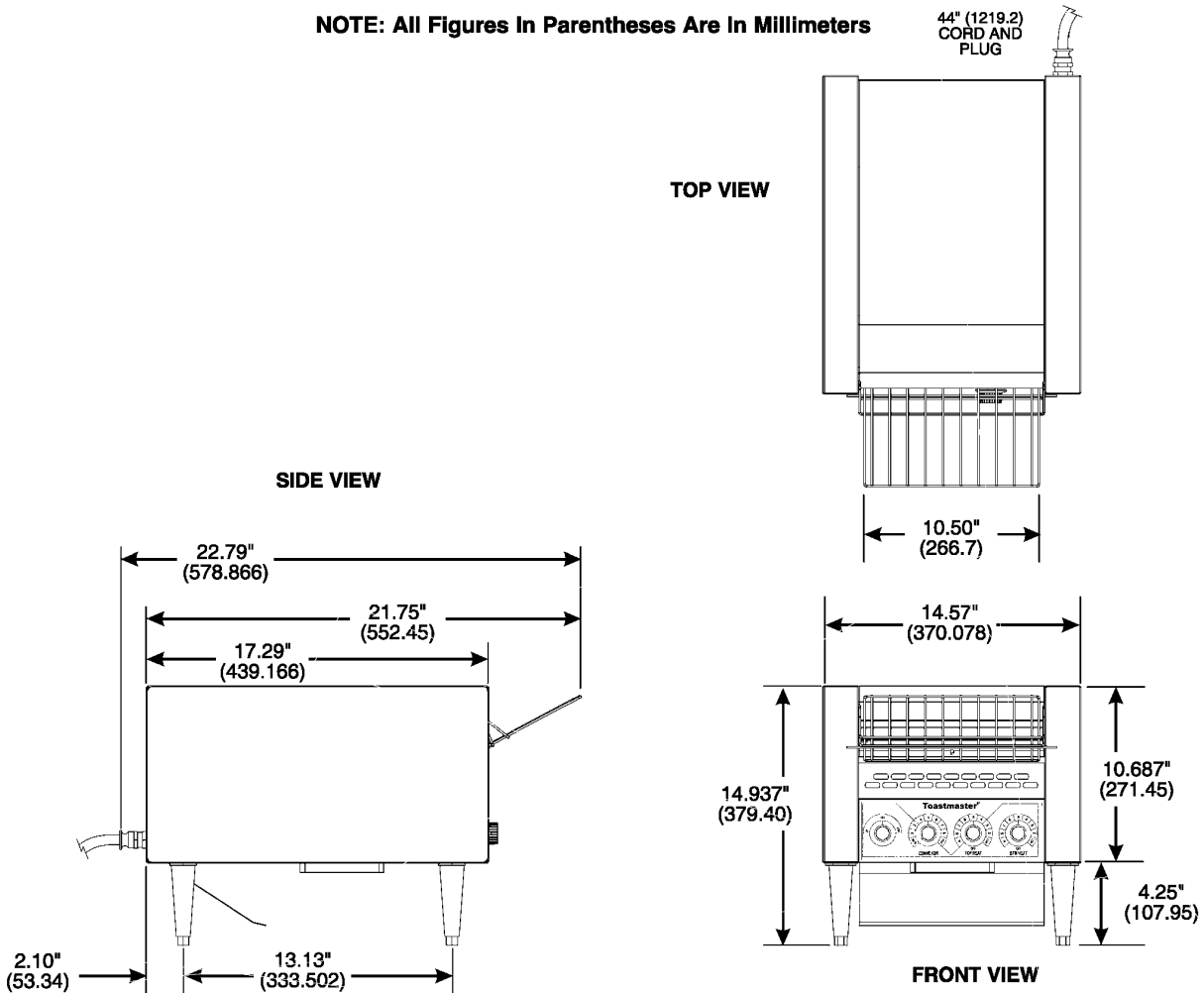
ETL versions 120V, 208V or 240V, 1-phase, 50/60 Hz.
CE versions 230V, 1-phase, 50/60 Hz.



Conveyor Toaster

Models TC17D3 & TC17D3-FEC (Front Extended Conveyor)

NOTE: All Figures In Parentheses Are In Millimeters



GENERAL INFORMATION

| Model | Width | Height | Depth | Net Weight | Ship Weight |
|-------|----------------|-------------------|-------------------|--------------------|-------------------|
| TC17D | 14.57 (370) | 14.937 (379.4) | 17.29" (439.2) | 41 lbs. 18.6 kg | 47 lbs 21.3 kg |

ELECTRICAL INFORMATION

| Model# | Voltage | Phase | Hz | kW | Amps | Plug Type |
|--------------------|---------|-------|-------|------|------|---|
| TC17D | 120 | 1 | 50/60 | 1.97 | 16.4 | NEMA 5-20P (USA) NEMA 5-20P (Canada) |
| TC17D | 208 | 1 | 50/60 | 2.62 | 12.6 | NEMA 6-20P (USA) NEMA 6-20P (Canada) |
| TC17D | 240 | 1 | 50/60 | 2.62 | 11.0 | NEMA 6-20P (USA) NEMA 6-20P (Canada) |
| TC17D (CE Only) | 230 | 1 | 50/60 | 2.41 | 11.0 | Kabelmetal-type HO7RN-F cord; 3x1.5 mm conductors with molded on plug rated 250VAC, 16A. |

INTENDED FOR COMMERCIAL USE ONLY. NOT FOR HOUSEHOLD USE.

Toastmaster, in line with its policy to continually improve its product, reserves the right to change materials or specifications without notice. Such revisions do not entitle the buyer to corresponding changes, improvements, additions, or replacements for previously purchased equipment.

Conveyor Toaster

Model TC21D3 & TC21D3-FEC (Front Extended Conveyor)



Electrical

Available in 208V or 240V, A/C, 1-phase only. Total rated input is 2.9 kW; and 2.7 kW for 230V CE toasters. A factory installed 6 ft (1.8 m) cord is included.

Heating

When control is set to "ON", top and bottom tubular elements will turn on to toast both sides of bread. Lightness and darkness of the product is achieved by adjusting the top and bottom heat controls. Standby position allows for energy savings during non-peak periods.

Controls

Rotary 3-position dial selects ON/ OFF/ STANDBY positions. A conveyor speed dial controls the belt speed. Heat dials control the upper and lower heating elements.

Accessories

Fiberglass return tray.
Angled loading rack (supplied with TC17D3)
Horizontal loading rack (optional)
Stainless steel tray (optional) fits both models as an exit tray. May also be used as a loading tray for TC17D3-FEC.

Warranty

Warranty includes one year parts and labor, on-site service. (U.S.A. only).

Ordering Information

ETL versions 208V or 240V, 1-phase, 50/60 Hz.
CE versions 230V, 1-phase, 50/60 Hz.

Application

TC21D3 Series Conveyor Toasters are designed to uniformly toast breads, buns, bagels, and muffins in large quantities, using continuous feed methods.

General Information

Product Height:

- Extra-Tall 3" (76 mm) high opening.

Conveyor Type:

- TC21D3 - Conveyor extends to the end of the toasting chamber.
- TC21D3-FEC - Conveyor extends 7" (178 mm) beyond the end of the toasting chamber. Available in front only.

Product Loading:

- TC21D3 is equipped with a loading rack that is angled to feed the product into the toaster continuously.
- TC21D3-FEC has a front

extended conveyor for easier loading of larger bakery products.

Product Delivery:

- Both models are capable of rear-exit pass through operation. They are shipped as front-return models, but can easily be converted to rear-exit operation by following the supplied instructions.

Safety

Unique air flow design keeps case, top, and sides cool. The unit is equipped with an auto cool down feature which allows the fan to cool the outer skin when the unit is turned off.

Construction

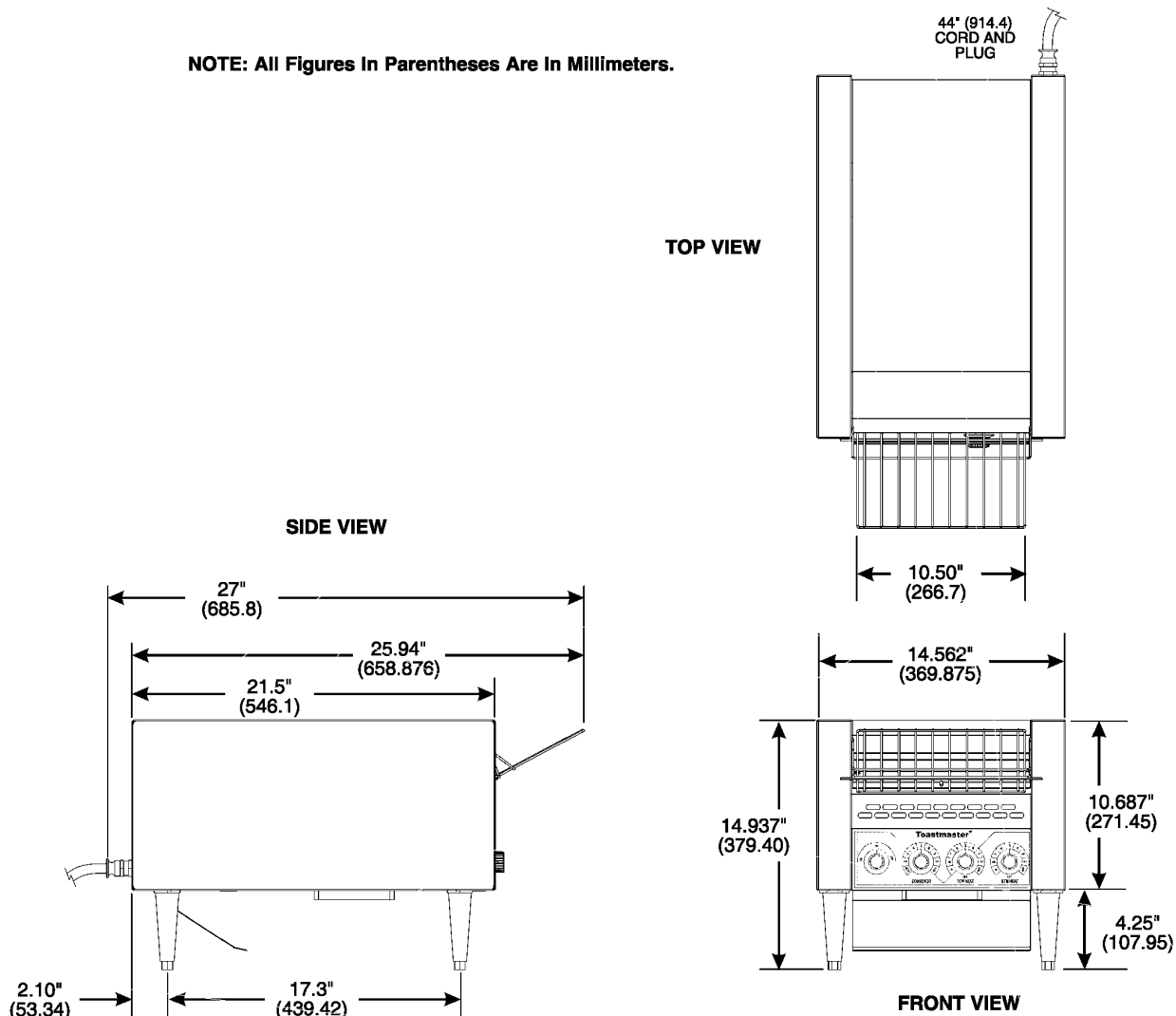
Steel construction with a stainless steel finish is used for durability. A stainless steel full-length, slide out crumb tray for easy clean-up. A fiberglass return tray is included.



Conveyor Toaster

Models TC21D3 & TC21D3-FEC (Front Extended Conveyor)

NOTE: All Figures In Parentheses Are In Millimeters.



GENERAL INFORMATION

| Model | Width | Height | Depth | Net Weight | Ship Weight |
|-------|----------------------|--------------------|----------------|--------------------|-------------------|
| TC21D | 14.562" (369.875) | 14.937" (379.4) | 21.5" (686) | 52 lbs. 23.6 kg | 58 lbs 26.3 kg |

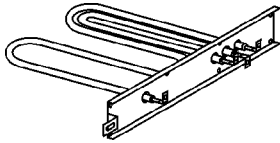
ELECTRICAL INFORMATION

| Model# | Voltage | Phase | Hz | kW | Amps | Plug Type |
|--------------------|---------|-------|-------|-----|------|--|
| TC21D | 208 | 1 | 50/60 | 2.9 | 13.9 | NEMA 6-20P |
| TC21D | 240 | 1 | 50/60 | 2.9 | 12.1 | NEMA 6-20P |
| TC21D (CE Only) | 230 | 1 | 50/60 | 2.7 | 11.7 | Kabel/metal-type HO7RN-F cord; 3x1.5 mm conductors with molded on plug rated 250VAC, 16A. |

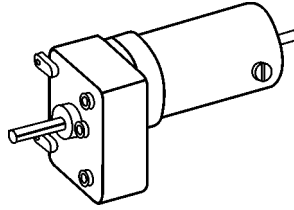
INTENDED FOR COMMERCIAL USE ONLY. NOT FOR HOUSEHOLD USE.

Toastmaster, in line with its policy to continually improve its product, reserves the right to change materials or specifications without notice. Such revisions do not entitle the buyer to corresponding changes, improvements, additions, or replacements for previously purchased equipment.

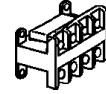
KEY PARTS



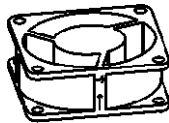
1A through 1F



2, 2A, 2B



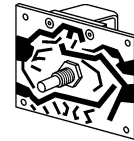
3



4, 4A



5



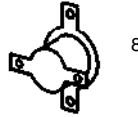
6



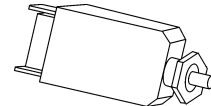
7



7A



8

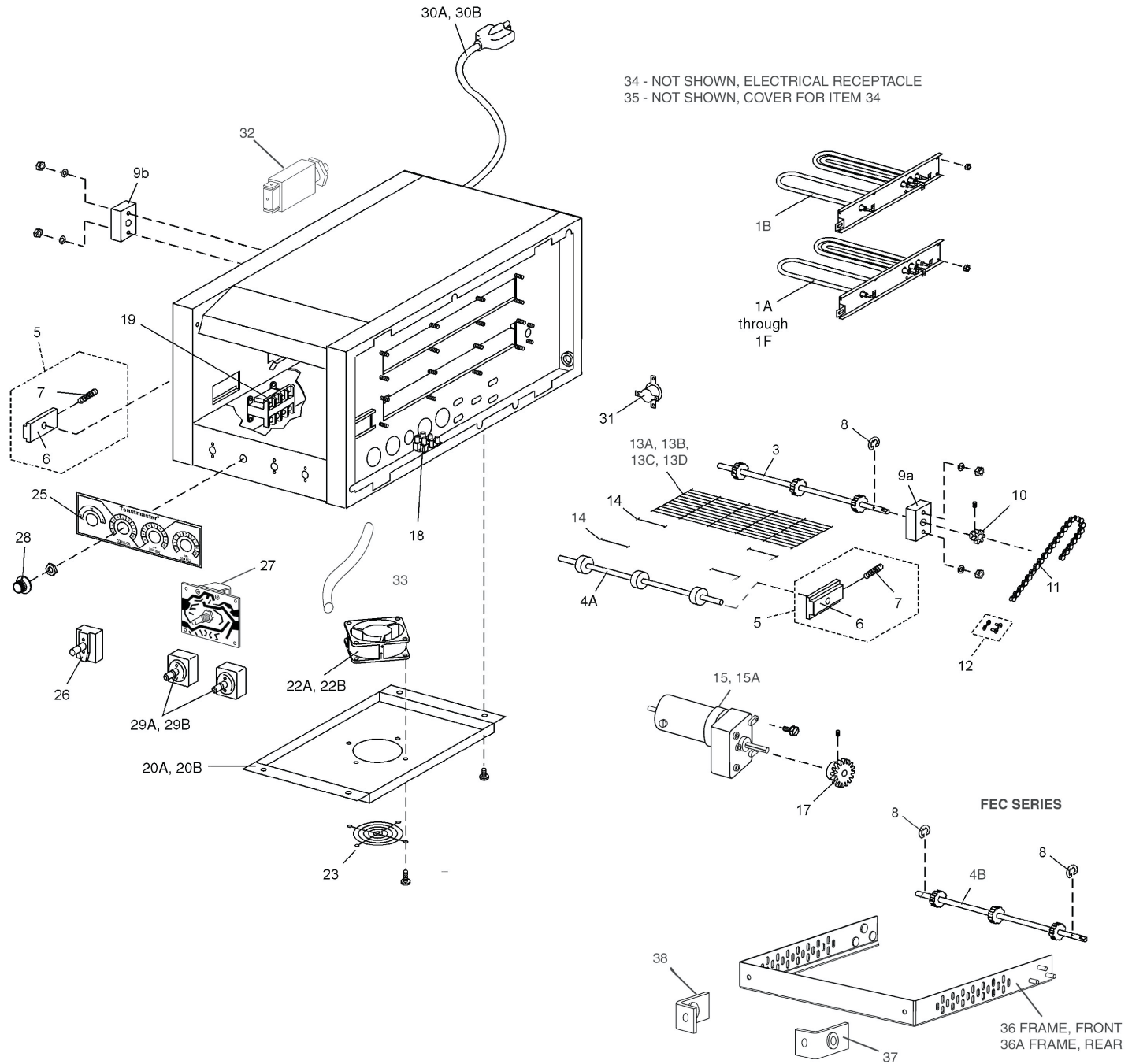


9

KEY PARTS

| ITEM | QTY. | P/N | DESCRIPTION |
|------|------|------------|--|
| 1A | 1 | 33404 | HEATING UNIT, TC17, 120V, 860W |
| 1B | 1 | 33405 | HEATING UNIT, TC17, 120V, 860W + 250W |
| 1C | 2 | 33423 | HEATING UNIT, TC17, 208V, 1060W + 250W |
| 1D | 2 | 33425 | HEATING UNIT, TC17, 240V, 1060W + 250W |
| 1E | 2 | 41796 | HEATING UNIT, TC21, 208V, 1200W + 250W |
| 1F | 2 | 41797 | HEATING UNIT, TC21, 240V, 1200W + 250W |
| 2 | 1 | 52223 | CONVEYOR DRIVE MOTOR, WITH SLEEVING AND MALE TERMINALS |
| 2A | 1 | 3002757 | CONVEYOR DRIVE MOTOR, CAN ALSO BE USED - WIRES ONLY |
| 2B | 1 | 58390 | CONVEYOR DRIVE MOTOR, CAN ALSO BE USED (UNIVERSAL KIT, W/MAGNET) |
| 3 | 1 | 30697 | TRANSFORMER, 230V/115V |
| 4 | 1 | 27392-0002 | COOLING FAN, 115V |
| 4A | 1 | 97525 | COOLING FAN, 208/230V |
| 5 | 1 | 33388 | SWITCH, 3-POSITION, ON/OFF/STANDBY |
| 6 | 1 | SEE PAGE 9 | SPEED CONTROLER (3002808A THRU 3002808E, ITEM 27) |
| 7 | 2 | 3006098 | SWITCH, TEMPERATURE, 120V |
| 7A | 2 | 3006099 | SWITCH, TEMPERATURE, 208/240V |
| 8 | 1 | 38079 | THERMOSTAT, COOLDOWN - SNAP DISC - NORMALLY OPEN |
| 9 | 1 | 48635 | CIRCUIT BREAKER, 0.3A |

View of INTERIOR PARTS

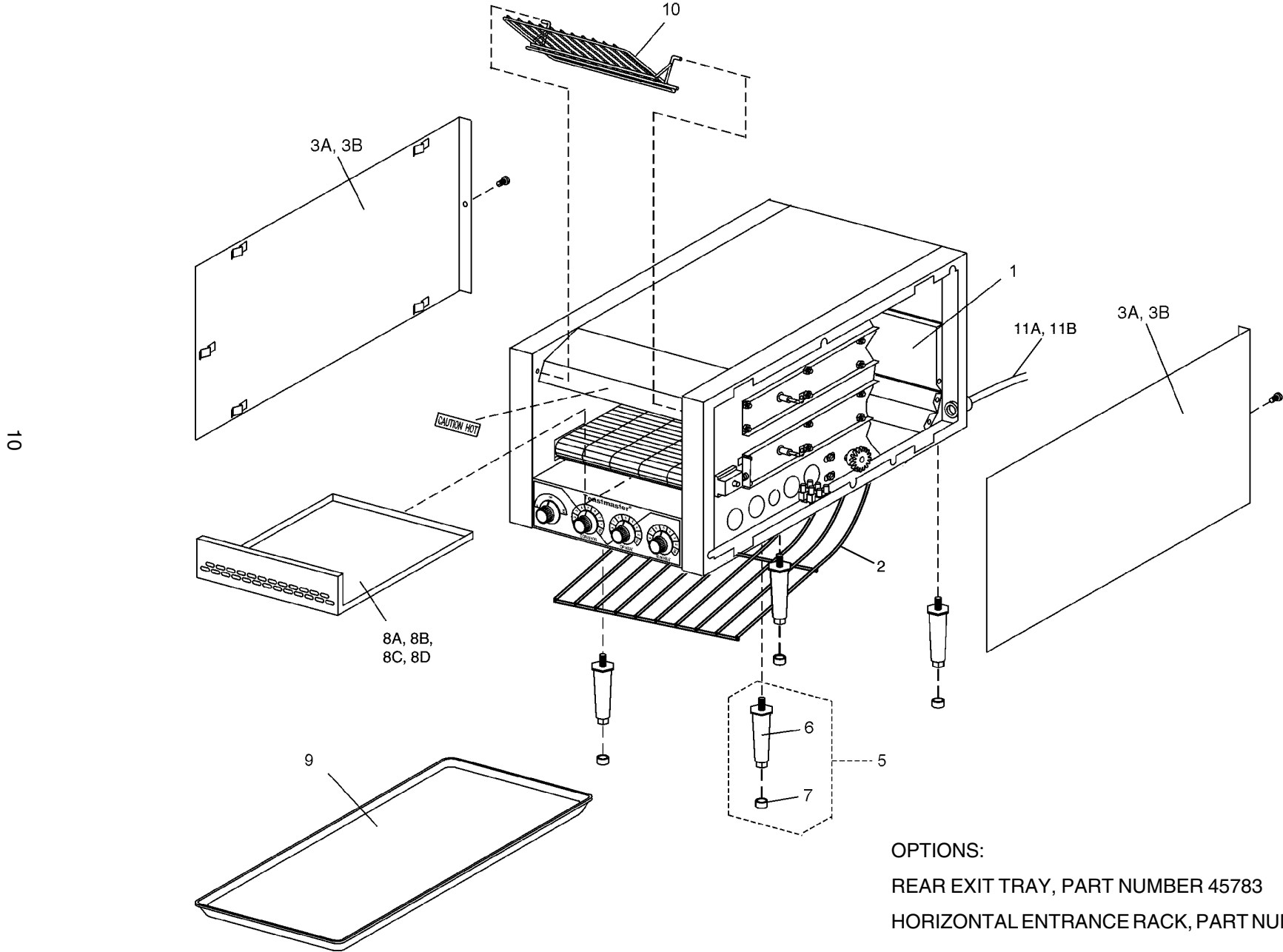


Parts List for INTERIOR PARTS

| ITEM | QTY. | P/N | DESCRIPTION |
|------|------|---------|---|
| 1A | 1 | 33404 | SINGLE BTM HEATER TC17/120V, 860W |
| 1B | 1 | 33405 | DUAL TOP HEATER TC17/120V, 860W+250W |
| 1C | 2 | 33423 | DUAL HEATER (TOP & BTM) TC17/208V, 1060W+250W |
| 1D | 2 | 33425 | DUAL HEATER (TOP & BTM) TC17/240V, 1060W+250W |
| 1E | 2 | 41796 | DUAL HEATER (TOP & BTM) TC21/208V, 1200W+250W |
| 1F | 2 | 41797 | DUAL HEATER (TOP & BTM) TC21/240V, 1200W+250W |
| 3 | 1 | 55563 | SHAFT ASSEMBLY, REAR, WITH SPROCKETS |
| 4A | 1 | 33396 | SHAFT ASSEMBLY, FRONT, WITH SMOOTH ROLLERS |
| 4B | 1 | 47392 | SHAFT ASSEMBLY, FRONT, WITH SPROCKET ROLLERS |
| 5 | 2 | 7610849 | KIT, FRONT BEARING ASSEMBLY <i>(inc. items 6-7)</i> |
| 6 | 2 | 7008178 | BEARING, FRONT |
| 7 | 2 | 3103262 | SPRING |
| 8 | 3 | 3102930 | RETAINER, E-RING, 5/16"/7.9mm (1 for NON FEC) |
| 9A | 1 | 7006964 | BEARING, REAR RIGHT, MOTOR |
| 9B | 1 | 7006963 | BEARING, REAR LEFT |
| 10 | 1 | 34129 | SPROCKET, DRIVE SHAFT, 12T |
| 11 | 1 | 32090 | DRIVE CHAIN, 16-1/4"/413mm WITH MASTERLINK |
| 12 | 1 | 3101212 | MASTERLINK, DRIVE CHAIN |
| 13A | 1 | 33392 | BELT, CONV, TC17D 10" x 25"/254 x 635mm, 85 LINKS |
| 13B | 1 | 39351 | BELT, CONV, TC21D 10" x 33"/254 x 838mm, 113 LINKS |
| 13C | 1 | 47636 | BLT, CONV, TC17D3 FEC, 42", 141 LINKS |
| 13D | A/R | 33393 | BELT, CONV, 12" SECTION |
| 14 | 2 | 33394 | MASTERLINK, CONVEYOR BELT |
| 15 | 1 | 52223 | MOTOR, DRIVE WITH SLEEVING AND MALE TERMINALS |
| 15A | 1 | 3002757 | MOTOR, DRIVE - WIRES ONLY (58390 UNIVERSAL KIT CAN ALSO BE USED) |
| 17 | 1 | 34128 | SPROCKET, MOTOR, 20T |
| 18 | 1 | 33406 | TERMINAL BLOCK, 3-POLE |
| 19 | 1 | 30697 | TRANSFORMER, 230Vp:115Vs |

| ITEM | QTY. | P/N | DESCRIPTION |
|------|------|------------------------------------|---|
| 20A | 1 | 42681 | BOTTOM PANEL, TC17D |
| 20b | 1 | 39260 | BOTTOM PANEL, TC21D |
| 22A | 1 | 27392-0002 | COOLING FAN, 115V, TC17D, 120V ONLY |
| 22B | 1 | 97525 | COOLING FAN, 230V, TC17D/TC21D, 208V/240V |
| 23 | 1 | 27470-0004 | GUARD, FAN |
| 25 | 1 | 45078 | DECAL, CONTROL PANEL |
| 26 | 1 | 33388 | SWITCH, 3-POSITION, ON/OFF/STBY |
| 27 | 1 | SELECT THE CORRECT KIT BELOW | KIT, SPEED CONTROLLER |
| | 1 | 3002808A | TC17D, 120V |
| | 1 | 3002808B | TC17D, 208V |
| | 1 | 3002808C | TC17D, 240V |
| | 1 | 3002808D | TC21D, 208V |
| | 1 | 3002808E | TC21D, 240V |
| 28 | 4 | 33402 | KNOB, CONTROLS |
| 29A | 2 | 3006098 | SWITCH, TOP/BTM TEMPERATURE ADJUSTMENT, 120V |
| 29B | 2 | 3006099 | SWITCH, TOP/BTM TEMPERATURE ADJUSTMENT, 208V/240V |
| 30A | 1 | 47672 | CORD & PLUG, NEMA 5-20P, TC17D 120V, 20A |
| 30B | 1 | 50578 | CORD & PLUG, NEMA 6-20P, 20A, TC17D/TC21D 208V/240V, 20A |
| 31 | 1 | 38079 | COOL DOWN THERMOSTAT NORMALLY OPEN (CLOSES AT 120 DEGREES F) |
| 32 | 1 | 48635 | CIRCUIT BREAKER, 0.3A |
| 33 | 1 | 45082 | CORDSET, COOLING FAN |
| 34 | 1 | 3002639 | RECEPTACLE, 5-20R |
| 35 | 1 | 3002640 | COVER, ELECTRICAL 120V |
| 36 | 1 | 47437 | FRAME, FRONT |
| 36A | 1 | 47457 | FRAME, REAR |
| 37 | 1 | 47394 | BRACKET, RIGHT WITH BUSHING |
| 38 | 1 | 47393 | BRACKET, LEFT WITH BUSHING |

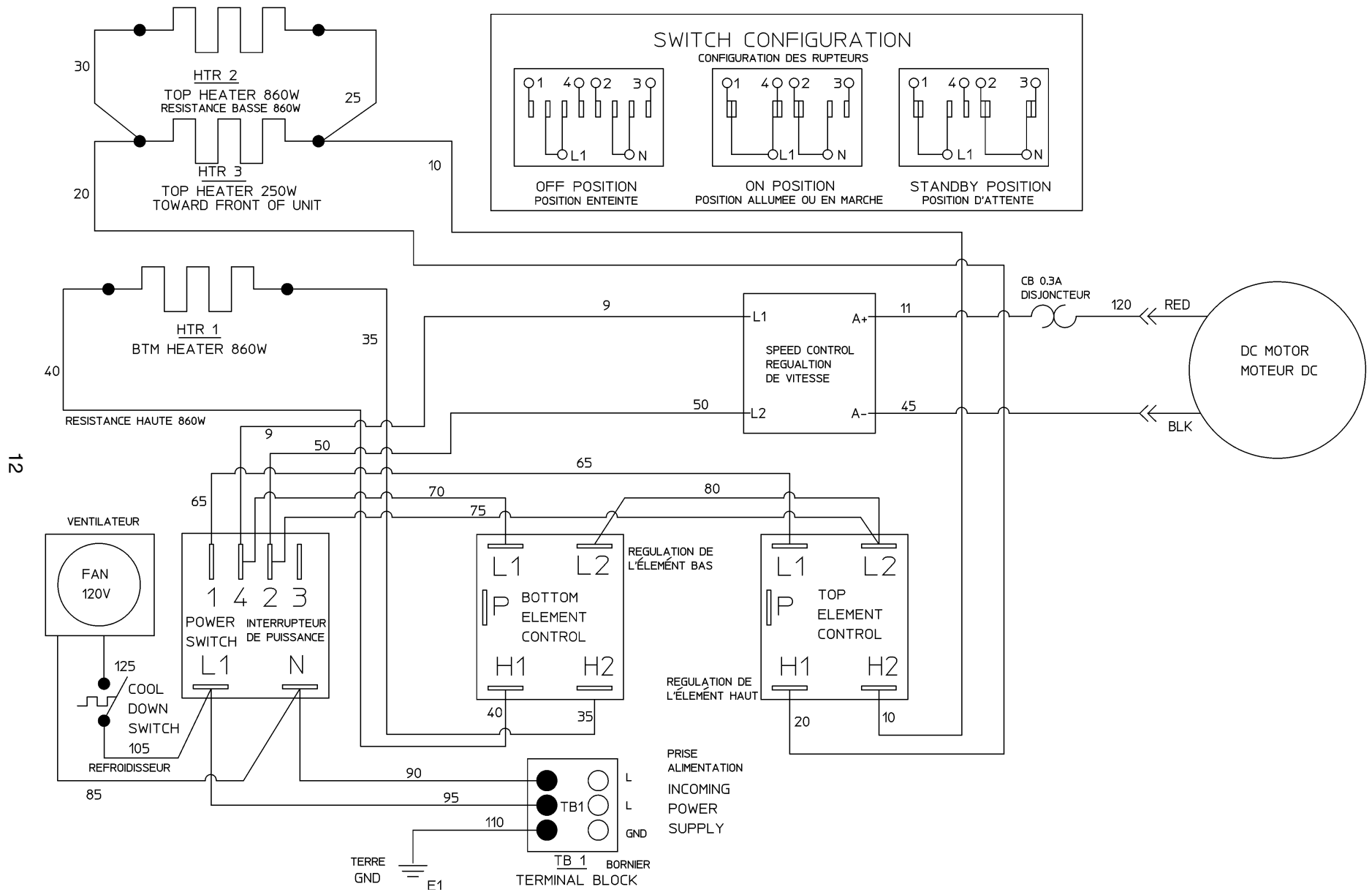
View of EXTERIOR PARTS



OPTIONS:
 REAR EXIT TRAY, PART NUMBER 45783
 HORIZONTAL ENTRANCE RACK, PART NUMBER 47203

Parts List for EXTERIOR PARTS

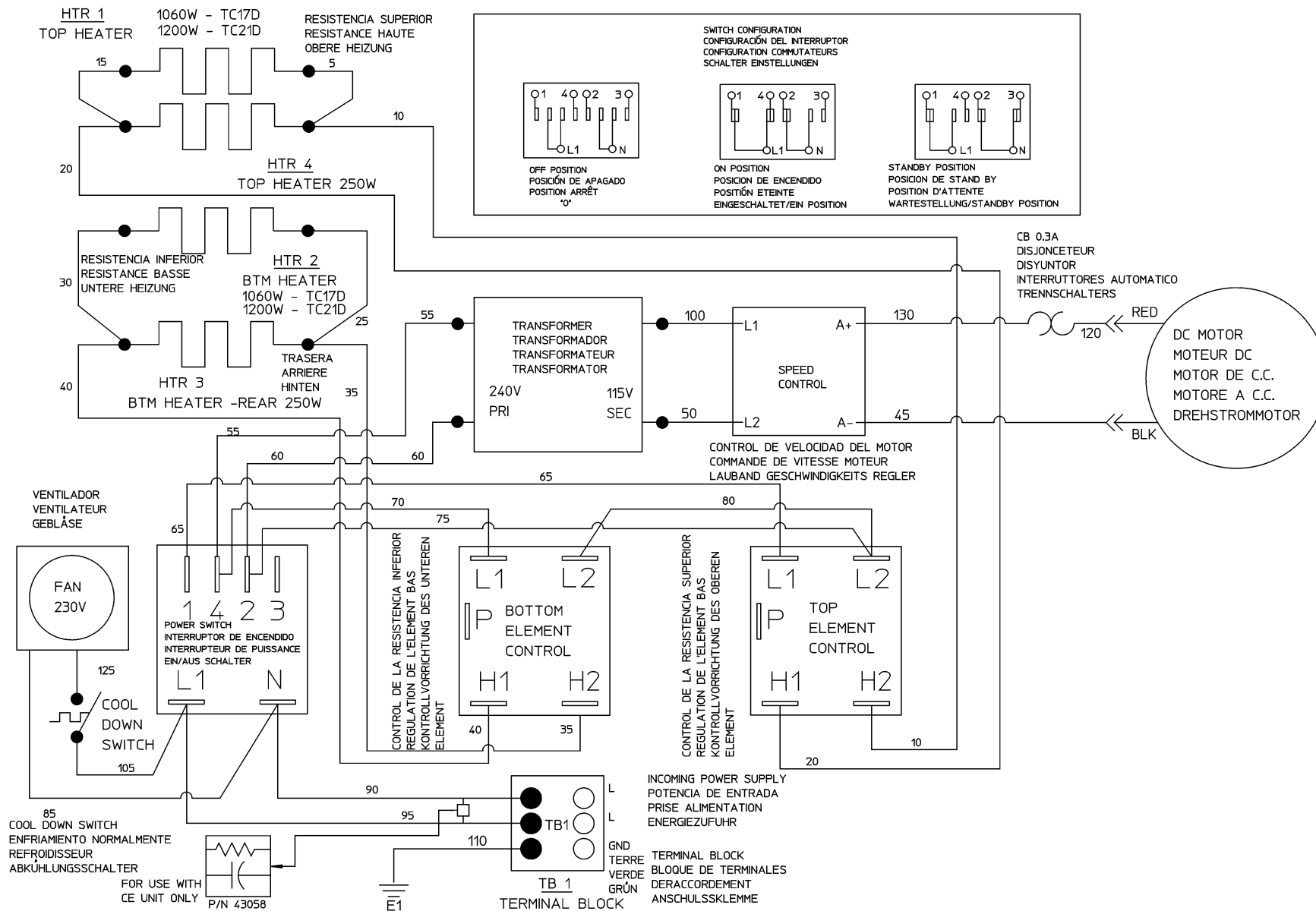
| ITEM | QTY. | P/N | DESCRIPTION |
|----------------|------|---------|---|
| 1 | 1 | 39541 | PANEL, REAREXIT |
| 2 | 1 | 50576 | EXIT CHUTE |
| 3A | 2 | 47387 | PANEL, SIDE, TC17D |
| 3B | 2 | 46683 | PANEL, SIDE, TC21D |
| 5 | 4 | 48775 | ASSY, LEG, 4" / 102mm <i>(inc. items 10-11)</i> |
| 6 | 4 | 3101908 | LEG, 4" / 102mm |
| 7 | 4 | 31254 | CAP, RUBBER |
| 8A | 1 | 33390 | CRUMB TRAY, SLIDE-IN, TC17D |
| 8B | 1 | 39259 | CRUMB TRAY, SLIDE-IN, TC21D |
| 8C | 1 | 47383 | CRUMB TRAY, SLIDE-IN, FEC-TC17 |
| 8D | 1 | 47572 | CRUMB TRAY, SLIDE-IN, FEC-TC21 |
| 9 | 1 | 33391 | RETURN TRAY |
| 10 | 1 | 33410 | ENTRANCE RACK |
| 11A | 1 | 47672 | CORD & PLUG, NEMA, 5-20P, TC17D, 120V |
| 11B | 1 | 50578 | CORD & PLUG, NEMA, 6-20P, TC17D/TC21D 208/240V |
| OPTIONS | | | |
| | 1 | 45783 | EXIT TRAY, REAR |
| | 1 | 47203 | ENTRANCE RACK, HORIZONTAL |



Wiring Diagrams (electrical schematics)

WIRING DIAGRAM, 120V TC17 D

52285C



WIRING DIAGRAM, 208/240V TC17 D & 21 D

52287C

NOTES

Free Manuals Download Website

<http://myh66.com>

<http://usermanuals.us>

<http://www.somanuals.com>

<http://www.4manuals.cc>

<http://www.manual-lib.com>

<http://www.404manual.com>

<http://www.luxmanual.com>

<http://aubethermostatmanual.com>

Golf course search by state

<http://golfingnear.com>

Email search by domain

<http://emailbydomain.com>

Auto manuals search

<http://auto.somanuals.com>

TV manuals search

<http://tv.somanuals.com>