

TC2000

TC2000 Conveyor Toaster Oven


Models:

- TC200030
- TC200038

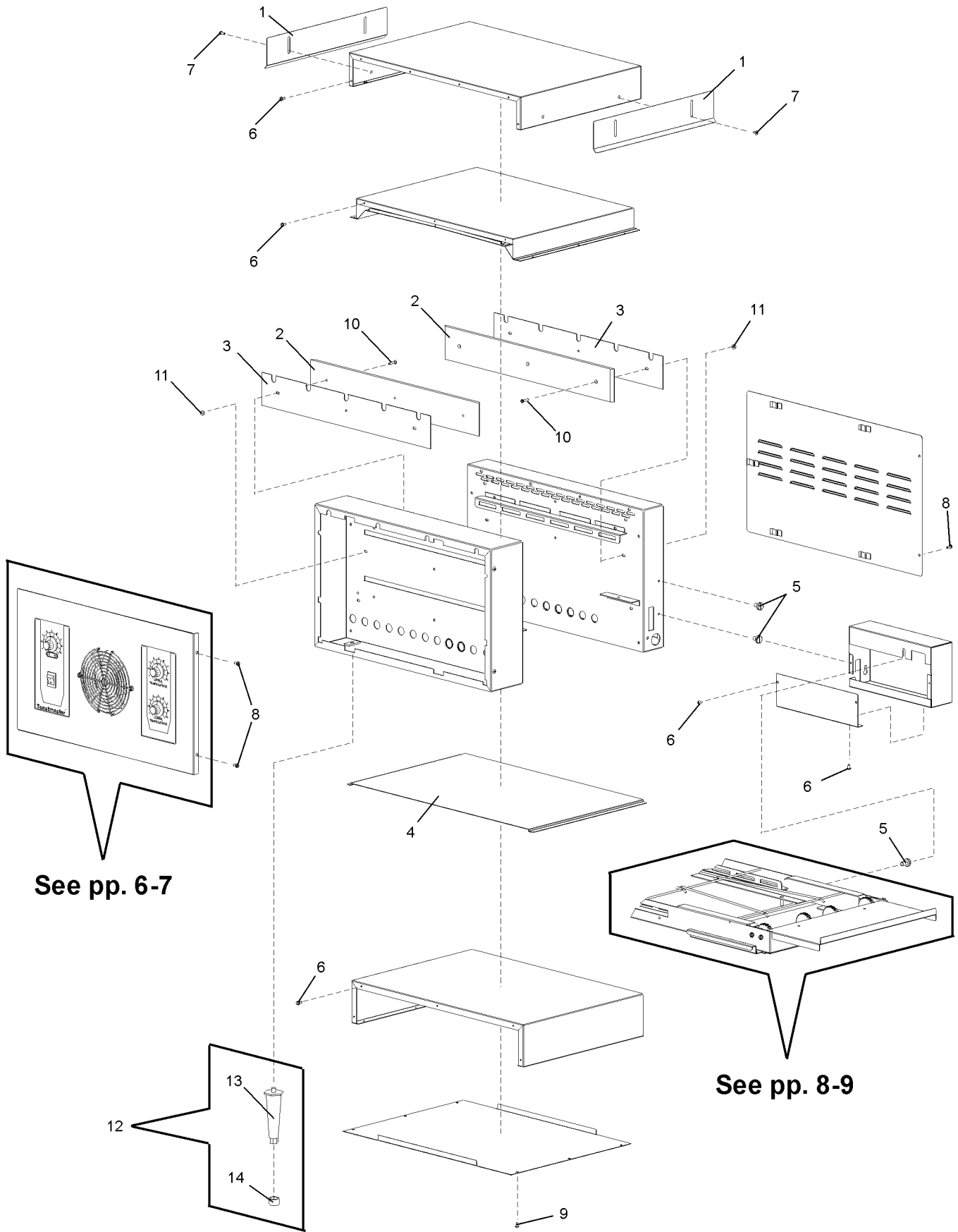
PARTS MANUAL

for domestic and standard export toaster ovens

© 2000 Toastmaster, A Middleby Company.

 is a registered trademark of Toastmaster, A Middleby Company. All rights reserved.

Middleby Cooking Systems Group • 1400 Toastmaster Drive • Elgin, IL 60120 • (847)741-3300 • FAX (847)741-4406



See pp. 6-7

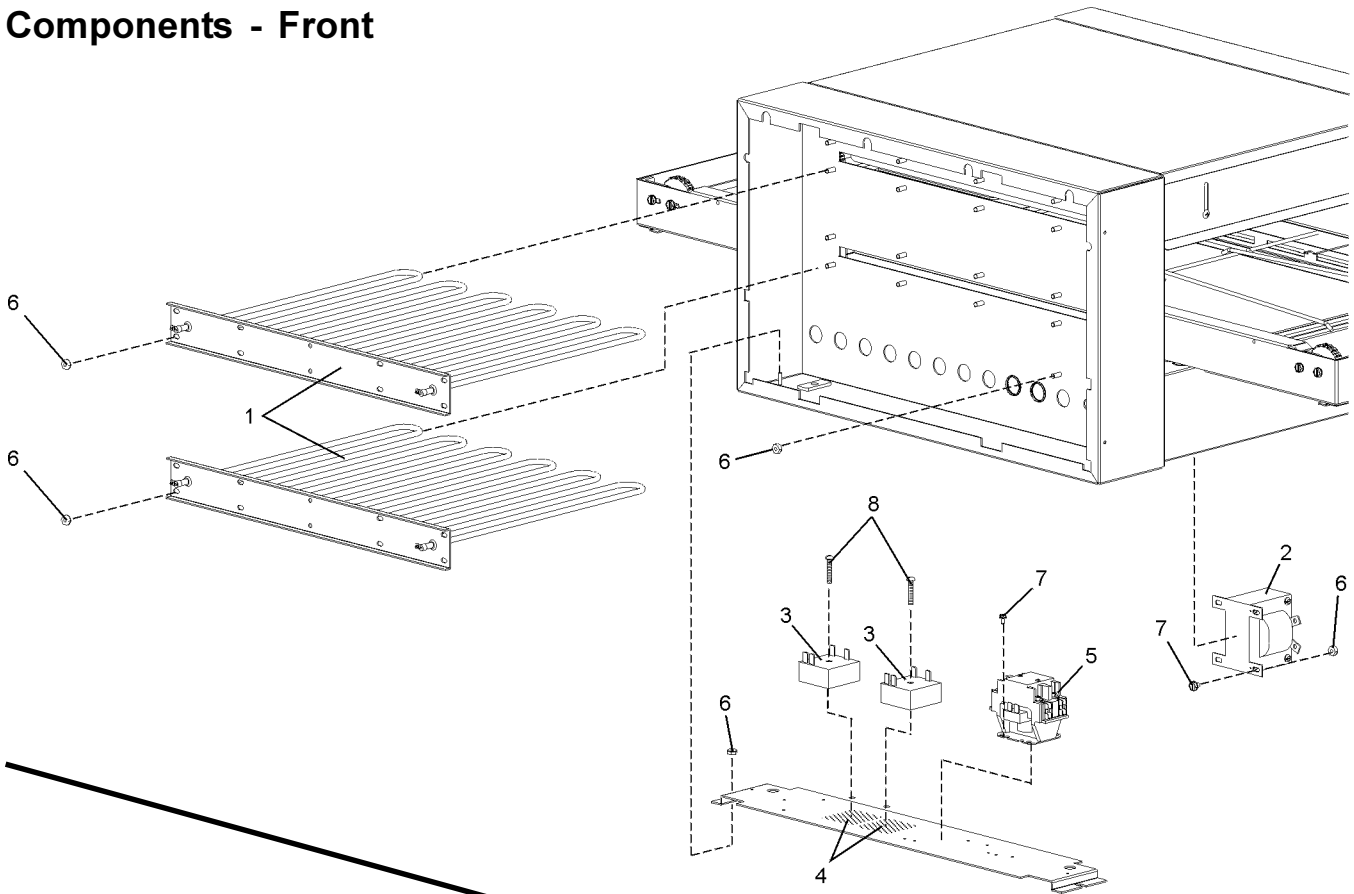
See pp. 8-9

Body Panels and Legs - Parts Listing

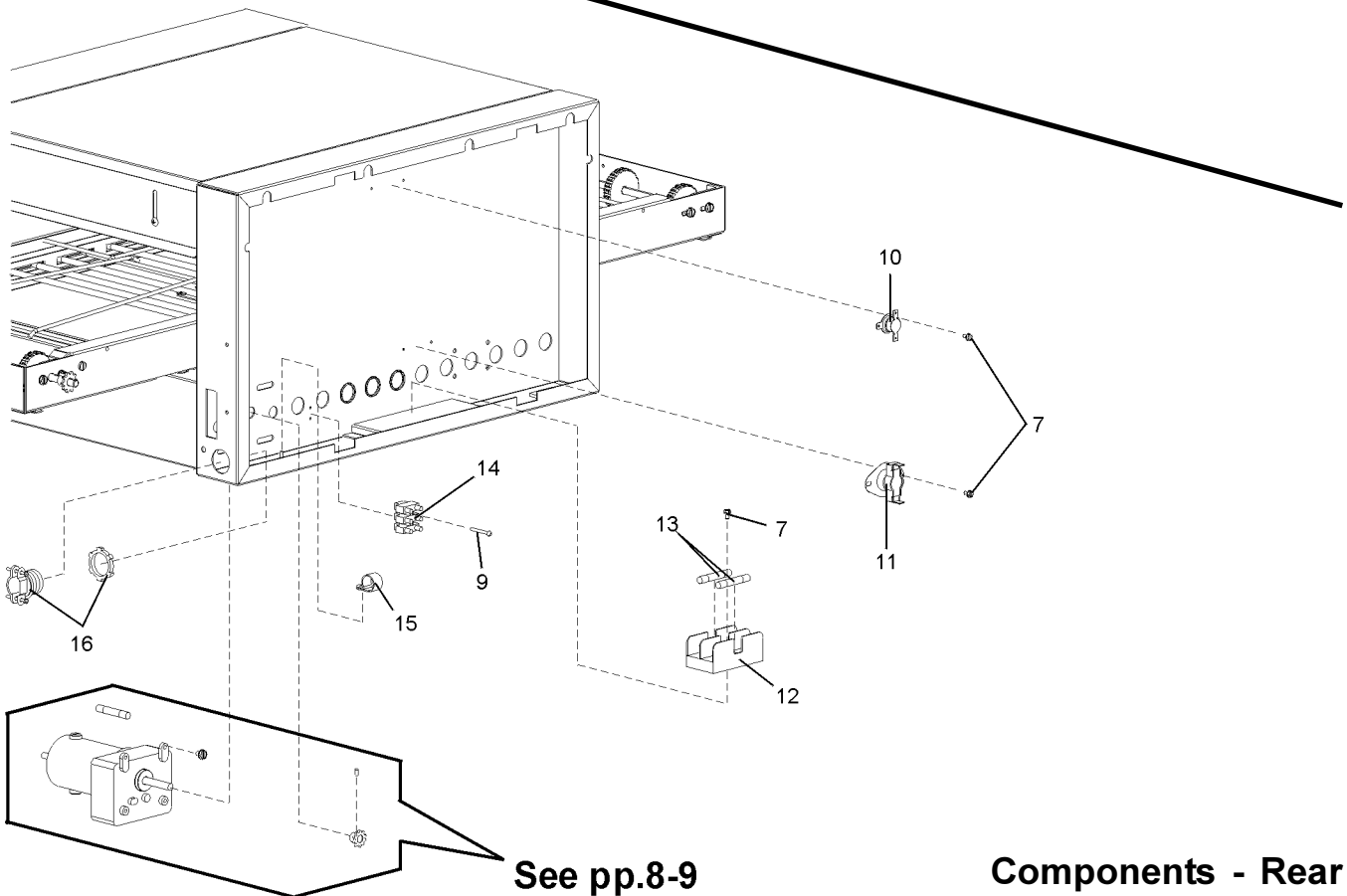
| <i>ITEM</i> | <i>P/N</i> | <i>QTY.</i> | <i>DESCRIPTION</i> |
|-------------|------------|-------------|--|
| 1 | 36695 | 2 | ADJUSTABLE HEAT CURTAIN |
| 2 | 38251 | 2 | EMITTER |
| 3 | 38252 | 2 | MICA INSULATION PANEL |
| 4 | 36687 | 1 | BOTTOM REFLECTOR PLATE (CENTER CRUMB TRAY) |
| 5 | 7007413 | 3 | SCREW, SHOULDER |
| 6 | 3B20A8801 | A/R | SCREW, "F" HEX WSHR HD 8-32 X 3/8" |
| 7 | 21256-0008 | 4 | SCREW, MS SLT TRS HD 10-32 X 3/8" |
| 8 | 2000096 | 4 | SCREW, MS SLT TRS HD 8-32 X 1/4" |
| 9 | B301A8803 | 6 | SCREW, "AB" PHIL TRS HD 8-32 X 1/4" |
| 10 | 2000144 | 6 | SCREW, MS PHIL PAN HD 8-32 X 3/4" |
| 11 | 2001347 | 6 | NUT, KEPS 8-32 |
| 12 | 32123 | 4 | ASSEMBLY, 4" (102mm) LEG |
| 13 | 1523B8301 | 1 | LEG, 4" (102mm) |
| 14 | 31254 | 1 | FOOT, RUBBER |

TC2000

Components - Front



TC2000



See pp.8-9

Components - Rear

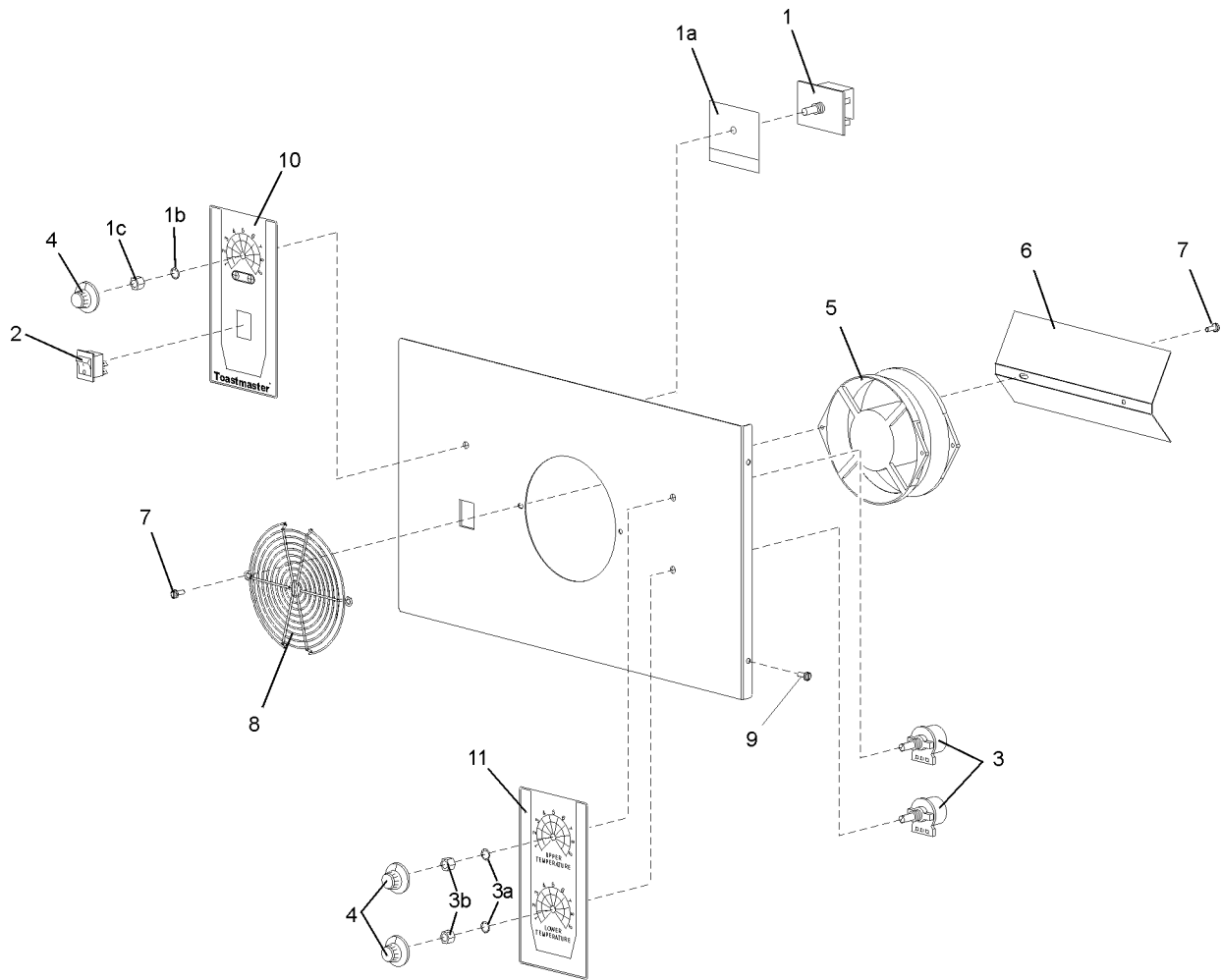
Components - Parts Listing

| ITEM | P/N | QUANTITY | | DESCRIPTION |
|------|------------|------------------------------------|------------------------------------|--|
| | | TC200030 208V 50/60 Hz, 1 Ph | TC200038 240V 50/60 Hz, 1 Ph | |
| 1 | 39403 | 2 | – | HEATER ASSEMBLY, 208V/2500W |
| 1 | 39459 | – | 2 | HEATER ASSEMBLY, 230V/2500W |
| 2 | 30697 | 1 | 1 | TRANSFORMER, 230V PRI/115V SEC |
| 3 | 39358 | 2 | 2 | TEMPERATURE CONTROLLER |
| 4 | 3103116 | A/R | A/R | NON-CONDUCTIVE SEALANT COMPOUND, 8 OZ. |
| 5 | 3000639 | 1 | 1 | CONTACTOR, 2-POLE 35A |
| 6 | 2001371 | A/R | A/R | NUT, KEPS 10-32 |
| 7 | 2000023 | A/R | A/R | SCREW, MS SLT HEX WSHR HD 6-32 X 1/4" |
| 8 | 4111A8813 | 2 | 2 | SCREW, SLT RND HD 10-32 X 1-1/4" |
| 9 | 39004 | 2 | 2 | SCREW, T/S SHLDR THB 10-32 X 3/8" |
| 10 | 38079 | 1 | 1 | TSTAT, SNAP DISC NO (CLOSE 120°F/49°C) |
| 11 | 30519 | 1 | 1 | TSTAT, SNAP DISC NC (OPEN 250°F/121°C) |
| 12 | 27021-0013 | 1 | 1 | FUSEBLOCK |
| 13 | 28154-0009 | 2 | 2 | FUSE, TYPE CC, 5A/600V |
| 14 | 33406 | 1 | 1 | TERMINAL BLOCK, 3-POLE |
| 15 | 27276-0002 | 1 | 1 | CABLE CLAMP, NYLON, 5/8" |
| 16 | 31791 | 1 | 1 | CABLE CLAMP, 3/4" |

Not Shown:

| | | | | |
|---|-------|---|---|----------------------------|
| – | 37350 | 1 | 1 | CORD AND PLUG (NEMA 6-30P) |
| – | 39405 | 1 | 1 | WIRESET, TC2000 |

TC2000

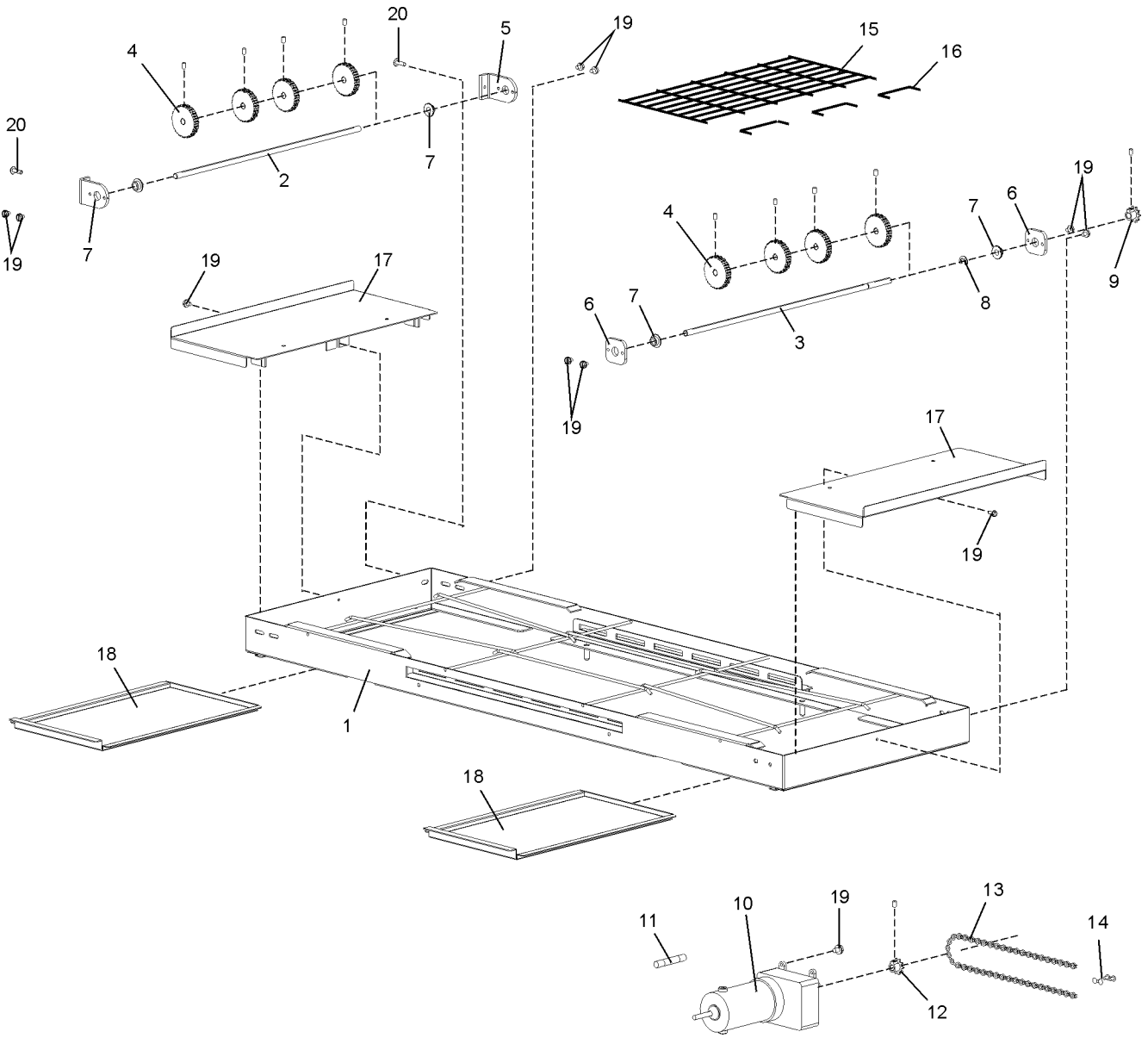


Front Panel and Control Components - Parts Listing

| <i>ITEM</i> | <i>P/N</i> | <i>QTY.</i> | <i>DESCRIPTION</i> |
|-------------|------------|-------------|---------------------------------------|
| 1 | 3002808 | 1 | CONVEYOR SPEED CONTROLLER |
| 1a | – | 1 | GASKET (INC. WITH ITEM 1) |
| 1b | – | 1 | WASHER (INC. WITH ITEM 1) |
| 1c | – | 1 | HEX NUT (INC. WITH ITEM 1) |
| 2 | 35824 | 1 | POWER ON/OFF (I/O) SWITCH, DPST |
| 3 | 39377 | 2 | POTENTIOMETER, TEMPERATURE CONTROLLER |
| 3a | – | 1 | WASHER (INC. WITH ITEM 3) |
| 3b | – | 1 | HEX NUT (INC. WITH ITEM 3) |
| 4 | A5704 | 3 | KNOB |
| 5 | 38471 | 1 | COOLING FAN |
| 6 | 38276 | 1 | COOLING FAN AIR DEFLECTOR |
| 7 | 220282 | 4 | SCREW, SLT TRS HD 10-32 X 1/2", BLACK |
| 8 | 37647 | 1 | COOLING FAN GRILL |
| 9 | 2000096 | 2 | SCREW, SLT TRS HD 10-32 X 3/8" |
| 10 | 39277 | 1 | DECAL, CONTROL PANEL LEFT |
| 11 | 39402 | 1 | DECAL, CONTROL PANEL RIGHT |

TC2000

TC2000



Conveyor System - Parts Listing

| <i>ITEM</i> | <i>P/N</i> | <i>QTY.</i> | <i>DESCRIPTION</i> |
|-------------|------------|-------------|--|
| 1 | 37309 | 1 | CONVEYOR FRAME |
| 2 | 36745 | 1 | IDLER SHAFT |
| 3 | 37314 | 1 | DRIVE SHAFT |
| 4 | 37950 | 8 | SPROCKET W/SET SCREW |
| 5 | 36729 | 2 | IDLER BEARING BLOCK/TENSIONER |
| 6 | 36733 | 2 | DRIVE BEARING BLOCK |
| 7 | 36742 | 4 | BUSHING |
| 8 | 3102930 | 1 | RETAINING CLIP, E-RING, 5/16" |
| 9 | 38216 | 1 | SPROCKET, DRIVE SHAFT, 10T W/SET SCREW |
| 10 | 3002757 | 1 | MOTOR, CONVEYOR DRIVE |
| 11 | 31053 | 1 | FUSE, 0.25A/125V |
| 12 | 34129 | 1 | SPROCKET, DRIVE MOTOR, 12T W/SET SCREW |
| 13 | 39003 | 1 | DRIVE CHAIN, #25, COMPLETE |
| 14 | 3101212 | 1 | MASTER LINK, #25 |
| 15 | 38247 | 1 | CONVEYOR BELT, COMPLETE (7 FT./2.13m) |
| 16 | 38246 | 3 | MASTER LINK, CONVEYOR BELT |
| 17 | 38257 | 2 | END TRAY |
| 18 | 36686 | 2 | CRUMB TRAY |
| 19 | 2000177 | A/R | SCREW, MS SLT HEX WSHR HD 10-32 X 1/4" |
| 20 | 35817 | 2 | SCREW, TRS HD 10-32 X 5/8" SS |

TC2000

WARNING

Improper installation, adjustment, alteration, service or maintenance can cause property damage, injury or death. Read the installation, operating and maintenance instructions thoroughly before installing or servicing this equipment.

NOTICE

During the warranty period, ALL parts replacement and servicing should be performed by your Toastmaster Authorized Service Agent. Service that is performed by parties other than your Toastmaster Authorized Service Agent may void your warranty.

NOTICE

Using any parts other than genuine Toastmaster factory manufactured parts relieves the manufacturer of all warranty and liability.

NOTICE

Toastmaster reserves the right to change specifications at any time.

TC2000

Middleby Cooking Systems Group • 1400 Toastmaster Drive • Elgin, IL 60120 • USA • (847)741-3300 • FAX (847)741-4406

24-Hour Service Hotline: 1-(800)-238-8444

www.middleby.com



Free Manuals Download Website

<http://myh66.com>

<http://usermanuals.us>

<http://www.somanuals.com>

<http://www.4manuals.cc>

<http://www.manual-lib.com>

<http://www.404manual.com>

<http://www.luxmanual.com>

<http://aubethermostatmanual.com>

Golf course search by state

<http://golfingnear.com>

Email search by domain

<http://emailbydomain.com>

Auto manuals search

<http://auto.somanuals.com>

TV manuals search

<http://tv.somanuals.com>