

4-Slice Toaster

USE AND CARE GUIDE
MODEL TMT4CAN



IMPORTANT SAFEGUARDS

When using electrical appliances, basic safety precautions should always be followed including the following:

1. Read all instructions.
2. Do not touch hot surfaces. Use handles or knobs.
3. To protect against electrical shock do not immerse cord, plugs, or appliance in water or other liquid.
4. Close supervision is necessary when any appliance is used by or near children.
5. Unplug from outlet when not in use and before cleaning. Allow to cool before putting on or taking off parts.
6. Do not operate any appliance with a damaged cord or plug or after the appliance malfunctions or has been damaged in any manner. Contact Consumer Service for examination, repair or adjustment.
7. The use of accessory attachments not recommended by the appliance manufacturer may cause injuries.
8. Do not use outdoors.
9. Do not let cord hang over edge of table or counter, or touch hot surfaces.
10. Do not place on or near a hot gas or electric burner, or in a heated oven.
11. To disconnect press the CANCEL button, then remove plug from wall outlet.
12. Do not use appliance for other than intended use.
13. Oversize foods, metal foil packages, or utensils must not be inserted in a toaster as they may involve a risk of fire or electric shock.
14. A fire may occur if toasters are covered or touching flammable material, including curtains, draperies, walls, and the like, when in operation.
15. Do not attempt to dislodge food when toaster is plugged in.

SAVE THESE INSTRUCTIONS

For Household Use Only



ADDITIONAL IMPORTANT SAFEGUARDS

CAUTION HOT SURFACES: This appliance generates heat and escaping steam during use. Proper precautions must be taken to prevent the risk of burns, fires, or other injury to persons or damage to property.

1. A person who has not read and understood all operating and safety instructions is not qualified to operate this appliance. All users of this appliance must read and understand these Use and Care Instructions before operating or cleaning this appliance.
2. If this appliance falls or accidentally becomes immersed in water, unplug it from the wall outlet immediately. **Do not reach into the water!**
3. When using this appliance, provide adequate air space above and on all sides for air circulation. Do not operate this appliance while it is touching or near curtains, wall coverings, clothing, dishtowels or other flammable materials.
4. To reduce the risk of fire, do not leave this appliance unattended during use.
5. If this appliance begins to malfunction during use, immediately press the CANCEL button and unplug the cord. Do not use or attempt to repair a malfunctioning appliance!
6. The cord to this appliance should only be plugged into a 120V AC electrical wall outlet.
7. Do not use this appliance in an unstable position.
8. Use the Toaster on a hard, flat surface. Do not place it near a flame or heat or on a soft surface (such as carpet). Avoid placing it where it may tip over during use. Dropping the Toaster could cause it to malfunction.

WARNING: ELECTRICAL SHOCK HAZARD. Never attempt to dislodge food inside the Toaster while the Toaster is plugged in. Doing so could cause an electrical shock hazard or a risk of fire.

CAUTION: This appliance is hot during operation and retains heat for some time after turning off. Always use oven mitts when handling hot materials and allow metal parts to cool before cleaning. Do not place anything on top of the Toaster while it is operating or while it is hot.

CAUTION:

- ◆ **DO NOT** toast pastries with runny fillings or frosting.
- ◆ **DO NOT** toast torn slices of bread.
- ◆ **DO NOT** place buttered bread or wrapped food into the Toaster.
- ◆ **DO NOT** toast small-size breads, mini-baguettes, breadsticks, etc.

Polarized Plug

This appliance has a polarized plug (one blade is wider than the other). To reduce the risk of electric shock, this plug is intended to fit into a polarized outlet only one way. If the plug does not fit fully in the outlet, reverse the plug. If it still does not fit, contact a qualified electrician. Do not attempt to modify the plug in any way.

Short Cord Instructions

A short power-supply cord is provided to reduce the risk resulting from becoming entangled in or tripping over a longer cord. Do not use an extension cord with this product.

Electric Power

If the electrical circuit is overloaded with other appliances, your appliance may not operate properly. It should be operated on a separate electrical circuit from other appliances.

Plasticizer Warning

CAUTION: To prevent Plasticizers from migrating from the finish of the counter top or table top or other furniture, place **NON-PLASTIC** coasters or place mats between the appliance and the finish of the counter top or table top.

Failure to do so may cause the finish to darken, permanent blemishes may occur or stains can appear.



toastmaster®

Getting to Know Your Toastmaster® 4-Slice Toaster

NOTE: Product may vary slightly from illustration.

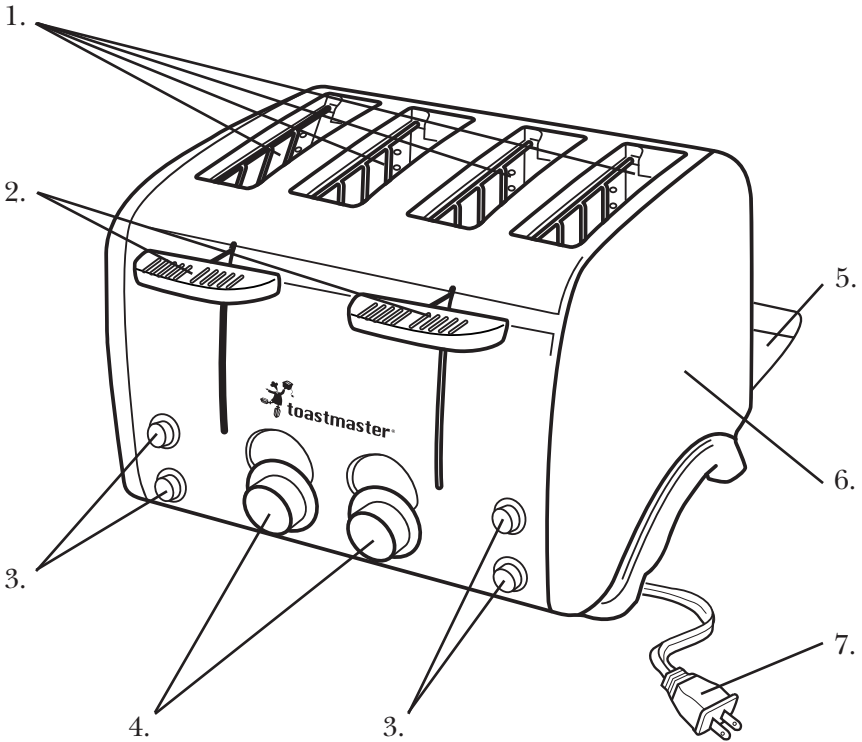


Figure 1

- | | |
|----------------------------|------------------------------|
| 1. Toasting Slots | 5. Crumb Tray(s) (P/N 22620) |
| 2. Toasting Levers | 6. Sleek Chrome Case |
| 3. BAGEL/CANCEL Buttons | 7. Polarized Plug |
| 4. Browning Selector Knobs | |

Operating Instructions

BEFORE FIRST USE

1. Carefully unpack your Toaster and remove all packaging materials.
2. To remove any dust that may have accumulated during packaging, simply wipe the Toaster exterior with a clean, damp cloth.
3. Do not use abrasive cleansers.
4. Do not put the Toaster, cord or plug in water.
5. Plug power cord into a 120V AC electrical outlet.
6. Before toasting for the first time, operate both pairs of Toasting Slots without bread and with both of the Browning Selector Knobs set at Dark (#7), the maximum setting. This will help to burn off any dust or manufacturing oils, etc. which may have accumulated on the elements. The new elements may give off an unpleasant smell but this is normal for a new Toaster. Make sure the room is well ventilated while doing this.

Selecting Toast Color

Both Browning Selector Knobs are located on the front of your Toaster. Adjust one or both of the Knobs to the desired toast color: Light (#1) is for warming and very light toasting; Dark (#7) for dark toasting (see Figure 2). The numbers are a guide to help you select your desired color (the higher the number, the darker the toast).

The first time you toast, it is best to use both pairs of Toasting Slots; position each Browning Selector Knob to the middle setting (#4); then adjust each subsequent toasting to your preference.

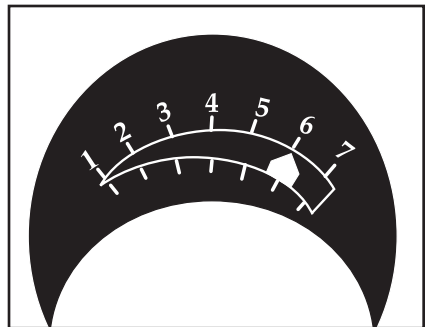


Figure 2



Cancel Button

There are 2 CANCEL Buttons, one for each pair of Slots. If you wish to stop the toasting cycle before it is complete, press the corresponding CANCEL Button. The elements will be turned off, and the toast or toaster food will pop up.

Bread Toasting Instructions

1. Place your Toaster on a flat, level surface.
2. Plug power cord into a 120V AC electrical outlet. The unit may emit an odor and/or smoke during the first few uses from oils used in manufacturing. This is normal for a new Toaster.
3. Set one or both of the Browning Selector Knobs to the desired toast color. Light (#1) is for warming and very light toasting; Dark (#7) is for dark toasting (see Figure 2).
4. Remove all protective wrappings from bread or toaster food before placing in Toasting Slots.
5. Avoid toasting torn slices of bread and broken pastries, which may get lodged in Toasting Slots.
6. Place bread or toaster food into one or both pairs of Toasting Slots and push down the corresponding Toasting Lever(s) to lower bread and begin toasting. Centering Guides will automatically center bread for even toasting. When toasting a single slice, the bread may be placed in any Toasting Slot, but may toast slightly darker on the inside of either pair of Toasting Slots than on the outside.

Note: The Toasting Lever(s) will not lock down unless the Toaster is plugged into an electrical outlet.

7. When the selected color is reached, the Toasting Lever(s) will pop up. The Toaster will shut off automatically.
8. Unplug cord from wall outlet when not in use.

Note: To prevent a fire hazard, never place bread over the opening of the Toaster, but always place it into the Toasting Slot(s).

Note: Do not operate the Toaster unless both Crumb Trays are in position and correctly fitted.

9. To interrupt toasting, press either one or both of the corresponding CANCEL Buttons.

Bagel and English Muffin Toasting Instructions

1. Place your Toaster on a flat, level surface.
2. Plug power cord into a 120V AC electrical outlet.
3. Set one or both of the Browning Selector Knobs to the color desired. For the first use, set the Browning Selector Knob(s) to the middle setting (#4).
4. Slice bagel or English muffin in half; place one half in each Toasting Slot with the cut sides facing the center of each pair of Toasting Slots.

Note: Use either Toasting Slot when toasting only half a bagel or English muffin. Use slices that fit freely into Toasting Slots. The Automatic Centering Guides hold food upright for uniform side-to-side toasting.

5. Push down to lower the corresponding Toasting Lever(s).
6. As soon as Toasting Lever is lowered and locked into position, press the corresponding BAGEL Button(s). This changes the Toaster to gently heat the outside of each bagel while toasting, to the desired color, the cut side of the bagel. The BAGEL setting works great for English muffins, too!
7. When the bagel or muffin is done, the Toasting Lever(s) will pop up. The Toaster will shut off automatically.
8. To interrupt toasting, press the CANCEL Button(s).

Convenience Foods Toasting

Extra wide Toasting Slots accommodate many varieties of packaged convenience food available today, both frozen and non-frozen (shelf pastry).

Since toaster foods and individual tastes vary, it is difficult to recommend exact Browning Selector settings. However, after a little experimentation you will discover the best setting for your needs. You may also wish to refer to the heating instructions on food packaging.

Pastry

For best results, follow the instructions printed on the pastry package. If the package does not have instructions, position one or both of the Browning Selector Knobs mid-way between Light and Dark settings (#4). Some pastries may require a second toasting cycle.

Note: Do not use this Toaster for toasting pastry items with runny-type frosting or open fillings.

Non-Frozen Shelf Pastry

Move one or both of the Browning Selector Knobs to a lighter setting. For thicker convenience foods, it may be necessary to turn the Browning Selector Knob(s) clockwise for a longer toasting cycle.

Note: Do not use this Toaster for toasting pastry items with runny-type frosting or open fillings.

Removing Lodged Toast or Toaster Food

If a piece of toast or toaster food becomes lodged in the Toaster, **unplug the Toaster and allow to cool.** Turn the Toaster upside down and shake the toast/toaster food loose.

IMPORTANT: Never use a fork or sharp-edged utensil to remove toast because that may damage the heating elements or cause injury.

Automatic Centering Guides

Lowering either one or both of the Toasting Levers closes the Centering Guides, and holds the bread or toaster food centrally in the Toasting Slots.

Note: The Toasting Lever(s) will not lock down unless the Toaster is plugged into an electrical outlet.

Important Points

- ◆ Remove all protective wrappings from bread or toaster food before placing in Toasting Slots.
- ◆ For best results, clean Crumb Trays frequently.
- ◆ Different breads require different color settings. Press either one or both of the CANCEL Buttons at any time to check toast color.
- ◆ Do not block Toasting Slots. Do not place any object over the Toasting Slots.
- ◆ Do not toast buttered bread or buttered pita bread. Melted butter will cause fire.
- ◆ Bread which has been toasted but not buttered may be reheated. Use a lighter setting and watch it carefully.

Important Points (Cont.)

- ◆ When toasting more than one slice of bread, use slices of similar size, thickness and freshness.
- ◆ Stale bread, thin bread or sweet bread products, such as tea cakes and fruit loaf, brown much more quickly than ordinary bread, so they should be toasted on the lighter settings.
- ◆ Never immerse Toaster in water.
- ◆ Never use a fork or sharp-edged utensil to remove toast or toaster foods because this may damage the heating elements or cause injury.

User Maintenance Instructions

This appliance requires little maintenance. It contains no user serviceable parts. Do not try to repair it yourself. Any servicing requiring disassembly must be performed by a qualified appliance repair technician.

Cleaning Instructions

CAUTION: Do not immerse in water or other liquid.

1. Unplug toaster and allow to cool.
2. Wipe outside with soft, damp cloth. Polish with soft, dry cloth. Do not use abrasive cleaners, as they may scratch the stainless steel surface.
3. The Crumb Trays are located at the bottom of the Toaster. For ease in cleaning, grasp the Crumb Tray Handle and pull all the way out. Brush crumbs from each Tray and, if necessary, wipe with a clean, damp cloth. Always dry each Tray thoroughly before replacing. When replacing either Tray, be sure to push firmly so that it is fully inserted in the bottom of the Toaster.

To Store

Unplug unit, allow to cool, and clean before storing. Store in its box in a clean, dry place. Never store it while it is hot or still plugged in. Never wrap cord tightly around the appliance. Do not put any stress on the cord where it enters the unit, as this could cause the cord to fray and break.



LIMITED ONE-YEAR WARRANTY

Warranty Coverage: This product is warranted to be free from defects in materials or workmanship for a period of one (1) year from the original purchase date. This product warranty is extended only to the original consumer purchaser of the product and is not transferable. For a period of one (1) year from the date of original purchase of the product, our Repair Center will, at its option, either (1) repair the product or (2) replace the product with a reconditioned comparable model. These remedies are the purchaser's exclusive remedies under this warranty.

Warranty Service: To obtain warranty service, you must call our warranty service number at 1-800-233-9054 for return instructions on how to deliver the product, in either the original packaging or packaging affording an equal degree of protection to the Repair Center specified below. You must enclose a copy of your sales receipt or other proof of purchase to demonstrate eligibility for warranty coverage.

To return the appliance, ship to:

ATTN: Repair Center
708 South Missouri Street
Macon, MO 63552 USA

To contact us, please write to, call, or email:

Consumer Relations Department
PO Box 7366
Columbia, MO 65205-7366 USA
1-800-233-9054
E-mail: consumer_relations@toastmaster.com

What is Not Covered: This warranty does not cover damage resulting from misuse, accident, commercial use, improper service or any other damage caused by anything other than defects in material or workmanship during ordinary consumer use. This warranty is invalid if the serial number has been altered or removed from the product. This warranty is valid only in the United States and Canada.

LIMITATION ON DAMAGES: THERE SHALL BE NO LIABILITY FOR ANY INCIDENTAL OR CONSEQUENTIAL DAMAGES FOR BREACH OF ANY EXPRESS OR IMPLIED WARRANTY OR CONDITION ON THIS PRODUCT.

DURATION OF IMPLIED WARRANTIES: EXCEPT TO THE EXTENT PROHIBITED BY APPLICABLE LAW, ALL IMPLIED WARRANTIES AND CONDITIONS, INCLUDING, WITHOUT LIMITATION, IMPLIED WARRANTIES AND CONDITIONS OF MERCHANTABILITY AND FITNESS FOR A PARTICULAR PURPOSE OR USE ON THIS PRODUCT ARE LIMITED IN DURATION TO THE DURATION OF THIS WARRANTY.

Some jurisdictions do not allow the exclusion or limitation of incidental or consequential damages, or allow limitations on how long an implied warranty lasts, so the above limitations or exclusions may not apply to you. This warranty gives you specific legal rights and you may have other rights under the laws of your jurisdiction.

For more information on our products, visit our website: www.maxim-toastmaster.com.

© 2006 Toastmaster Inc.
All Rights Reserved

P/N 61636CAN
Rev. 5/06
Printed in China

Keep Dated Sales Receipts for Warranty Service.

Keep this booklet. Record the following for reference:

Date purchased _____

Model number _____

Date code (stamped on bottom) _____

**EVERYBODY EATS. It's a fact of life.
But sometimes preparing
meals can become a chore.
That's why TOASTMASTER has been invited
into millions of kitchens just like yours
so we can HELP YOU MASTER your
mixing, baking, grilling, toasting,
brewing, heating and serving
tasks WITH EASE AND STYLE.
The TOASTMASTER name stands for a
CELEBRATION of INNOVATION designed
to serve your life and keep you
COOKIN' IN STYLE.**





toastmaster®

- *Sleek Chrome Case*
- *Patented auto safety shut-off*
- *Slide out crumb tray*



Questions

Call toll free 1-800-233-9054

Monday–Friday, 8:00 a.m. -5:30 p.m. CST

www.toastmaster.com

TMT4CAN

Free Manuals Download Website

<http://myh66.com>

<http://usermanuals.us>

<http://www.somanuals.com>

<http://www.4manuals.cc>

<http://www.manual-lib.com>

<http://www.404manual.com>

<http://www.luxmanual.com>

<http://aubethermostatmanual.com>

Golf course search by state

<http://golfingnear.com>

Email search by domain

<http://emailbydomain.com>

Auto manuals search

<http://auto.somanuals.com>

TV manuals search

<http://tv.somanuals.com>