

Toaster

USE AND CARE GUIDE

MODELS

TT2CTBW/TT2CTBB/TT2CTBBCAN



IMPORTANT SAFEGUARDS

When using electrical appliances, basic safety precautions should always be followed, including the following:

- ◆ Read all instructions.
- ◆ Do not touch hot surfaces. Use handles or knobs.
- ◆ To protect against electrical shock do not immerse cord, plug, or appliance in water or other liquid.
- ◆ Close supervision is necessary when this appliance is used by or near children.
- ◆ Unplug from outlet when not in use and before cleaning. Allow to cool before putting on or taking off parts.
- ◆ Do not operate any appliance with a damaged cord or plug or after the appliance malfunctions or has been damaged in any manner. Contact Consumer Service for examination, repair or adjustment.
- ◆ The use of accessory attachments not recommended by the appliance manufacturer may cause injuries.
- ◆ Do not use outdoors.
- ◆ Do not let cord hang over edge of table or counter, or touch hot surfaces.
- ◆ Do not place on or near a hot gas or electric burner, or in a heated oven.
- ◆ To disconnect press the “Cancel” Button and then remove plug from wall outlet.
- ◆ Do not use appliance for other than intended use.
- ◆ Oversize foods, metal foil packages, or utensils must not be inserted in Toaster as they may involve a risk of fire or electric shock.
- ◆ A fire may occur if Toaster is covered or touching flammable material, including curtains, draperies, walls, and the like, when in operation.
- ◆ Do not attempt to dislodge food when Toaster is plugged in.

SAVE THESE INSTRUCTIONS
For Household Use Only



ADDITIONAL IMPORTANT SAFEGUARDS

CAUTION HOT SURFACES: This appliance generates heat and escaping steam during use. Proper precautions must be taken to prevent the risk of burns, fires, or other injury to persons or damage to property.

- ◆ A person who has not read and understood all operating and safety instructions is not qualified to operate this appliance. All users of this appliance must read and understand this Use and Care Guide before operating or cleaning this appliance.
- ◆ **Unplug from outlet when not in use and before cleaning. To avoid electric shock, never immerse or rinse this appliance in water or any other liquid.**
- ◆ If this appliance falls or accidentally becomes immersed in water, unplug it from the wall outlet immediately. **Do not reach into the water!**
- ◆ When using this appliance, provide adequate air space above and on all sides for air circulation. Do not operate this appliance while it is touching or near curtains, wall coverings, clothing, dishtowels or other flammable materials.
- ◆ To reduce the risk of fire, do not leave this appliance unattended during use.
- ◆ If this appliance begins to malfunction during use, immediately unplug the cord. Do not use or attempt to repair a malfunctioning appliance!
- ◆ The cord to this appliance should only be plugged into a 120V AC electrical wall outlet.
- ◆ Do not use this appliance in an unstable position.
- ◆ Use the Toaster on a hard, flat surface. Do not place it near a flame or heat or on a soft surface (such as carpet). Avoid placing it where it may tip over during use. Dropping the Toaster could cause it to malfunction.
- ◆ If this appliance begins to malfunction during use, immediately press the Cancel button or lift Toast Lever manually and unplug the cord. Do not use or attempt to repair the malfunctioning appliance.

WARNING: ELECTRICAL SHOCK HAZARD. Never attempt to dislodge food inside the Toaster while the Toaster is plugged in. Doing so could cause an electrical shock hazard or a risk of fire.

ADDITIONAL IMPORTANT SAFEGUARDS (Cont.)

CAUTION: This appliance is hot during operation and retains heat for some time after turning off. Always use oven mitts when handling hot materials and allow metal parts to cool before cleaning. Do not place anything on top of the Toaster while it is operating or while it is hot.

CAUTION:

DO NOT toast pastries with runny fillings or frosting.

DO NOT toast torn slices of bread.

DO NOT place buttered bread or wrapped food into the Toaster.

DO NOT toast small-size breads, mini-baguettes, breadsticks, etc.

Polarized Plug

This appliance has a polarized plug, (one blade is wider than the other). This plug is intended to fit in a polarized outlet only one way. If the plug does not fit fully in the outlet, reverse the plug. If it still does not fit, contact a qualified electrician. Do not attempt to modify the plug in any way.

Short Cord Instructions

A short power-supply cord is provided to reduce the risk resulting from becoming entangled in or tripping over a longer cord.

Do not use an extension cord with this product.

Electric Power

If the electric circuit is overloaded with other appliances, your Toaster may not operate properly. It should be operated on a separate electrical circuit from other appliances.



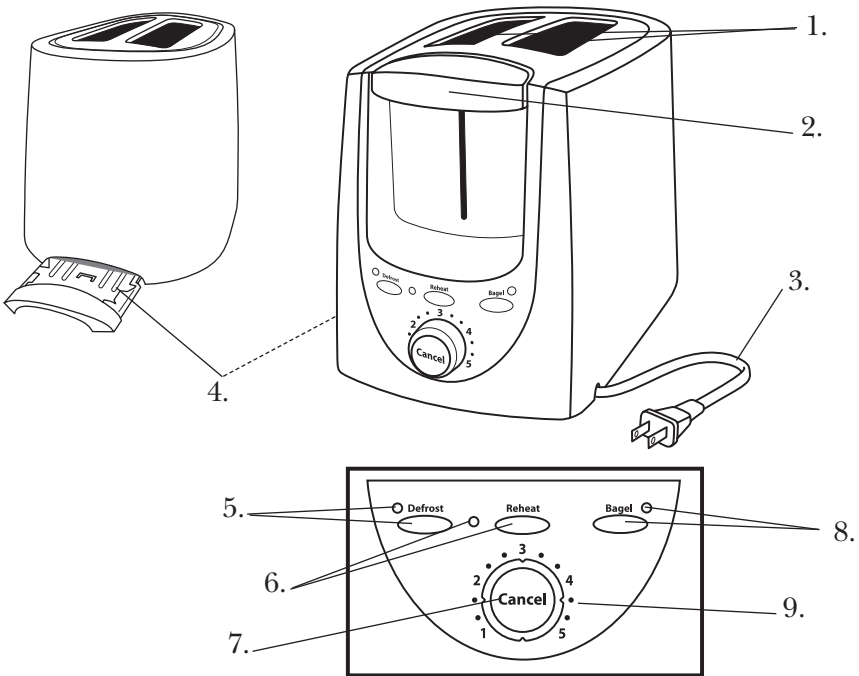
Plasticizer Warning

CAUTION: To prevent Plasticizers from migrating from the finish of the countertop or tabletop or other furniture, place **NON-PLASTIC** coasters or placemats between the appliance and the finish of the countertop or tabletop.

Failure to do so may cause the finish to darken, permanent blemishes may occur or stains can appear.

Getting to know your **Toaster** Toaster

Your product may vary slightly from illustration.



- | | |
|---|-----------------------------|
| 1. Self-Adjusting Toasting Slots | 5. Defrost Button and Light |
| 2. Toast Lever | 6. Reheat Button and Light |
| 3. Cord | 7. Cancel Button |
| 4. Slide-Out Crumb Tray
(P/N 22292B- Black Plastic Handle
P/N22292W- White Plastic Handle
P/N 22293- Metal Portion of
Crumb Tray) | 8. Bagel Button and Light |
| | 9. Color Control |

Operating Instructions

BEFORE FIRST USE

1. Carefully unpack your Toaster and remove all packaging materials.
2. To remove any dust that may have accumulated during packaging, simply wipe the Toaster exterior with a clean, damp cloth.
3. Do not use abrasive cleansers.
4. Do not put the Toaster, cord or plug in water.

SELECTING TOAST COLOR

The Color Control knob is located on the front of your Toaster. Simply turn the arrow on the knob to the desired toast color: LIGHT (#1) is for warming and very light toasting; DARK (#5) for dark toasting. Turn the Color Control to the left for LIGHT toast (#1) or to the right for DARK toast (#5). The numbers are a guide to help you select your desired color (the higher the number, the darker the toast). The first time you toast, it is best to position the Color Control at the middle of the range (#3); then adjust each subsequent toasting to your preference.

CANCEL BUTTON: At any time during the toasting process, you may press the Cancel Button to end the toasting function and cause the bread to pop up.

Toasting Instructions

1. Place Toaster on a flat, level surface.
2. Plug cord into a 120 V 60 Hz outlet. The unit may emit an odor and/or smoke during the first few uses from oils used in manufacturing. This is normal for a new appliance.
3. Adjust the Color Control to the desired lightness or darkness. For the first use, set the Color Control to medium (#3).
4. Remove all protective wrappings from food before placing in Toasting Slot(s). Avoid toasting torn slices of bread and broken pastries, which may get lodged in Toasting Slot(s).



Toasting Instructions (Cont.)

5. Place bread or toaster food into Toasting Slot(s) and push down on Toast Lever.

NOTE: when using only one Toasting slot to toast food, the bread or toaster food may be placed in either Toasting Slot. The self Adjusting Toasting Slots hold food upright for uniform side-to-side toasting.

6. Toast or toaster food will automatically pop up when the selected color is reached. The Toaster will shut off automatically.
7. To interrupt toasting, press the Cancel Button.
8. Unplug cord from wall outlet when not in use.

NOTE: To prevent fire hazard, never place food over the opening of the Toaster Slot(s), but always place food into Toasting Slot.

Bagel And English Muffin Toasting Instructions

1. Place Toaster on a flat, level surface
2. Plug cord into a 120 V 60Hz outlet. The unit may emit an odor and/or smoke during the first few uses from oils used in manufacturing. This is normal for a new appliance.
3. Adjust the Color Control to the desired lightness or darkness. For first use, set the Color Control to medium (#3).
4. Remove all protective wrappings from food before placing in Toaster Slot(s). Avoid toasting torn bagels or English muffins, which may get lodged in Toasting Slot(s).
5. Slice bagel or English muffin in half. Place bagel or English muffin in Toasting Slot(s). Turn cut side of bagel(s) or English muffin(s) towards the outside element(s). **PUSH DOWN ON THE TOAST LEVER FIRST AND THEN PRESS THE BAGEL BUTTON.** The Bagel Light will come on.

NOTE: When using only one Toasting Slot to toast food, the bread or toaster food may be placed in either Toasting Slot. The Self Adjusting Toasting Slot(s) hold food upright for uniform side-to-side toasting.

Bagel And English Muffin Toasting Instructions (Cont.)

6. Bagel or muffin will automatically pop up when the selected color is reached. The Toaster will shut off automatically. The automatic reset feature returns the Toaster to normal operation after each cycle.
7. To interrupt toasting, press the Cancel Button.
8. Unplug Cord from wall outlet when not in use.

NOTE: To prevent fire hazard, never place food over the opening of the Toaster Slot(s), but always place food into Toasting Slot.

Convenience Foods Toasting

Today there are many varieties of packaged convenience food available, both frozen and non-frozen (shelf pastry) that can be toasted in your Toaster.

Since toaster foods and individual tastes vary, it is difficult to recommend exact Toast Color Control Settings, however, after a little experimentation you will discover the best setting for your needs. You may also wish to refer to the heating instructions on food packaging.

Pastry

For best results, follow the instructions printed on the pastry package.

If the package does not have instructions, position the Color Control in the middle (#3). Some pastries may require a second toasting cycle.

NOTE: Do not use this Toaster for toasting pastry items with runny-type frosting or open fillings.

Non-Frozen Shelf Pastry

Move the Color Control to a lighter setting. For thicker convenience foods, it may be necessary to adjust the Color Control to a darker setting for a longer toasting cycle.



Defrost Instructions

1. Place Toaster on a flat, level surface.
2. Plug cord into any 120 V 60 Hz outlet. The unit may emit an odor and/or smoke during first few uses from oils used in manufacturing. This is normal for a new appliance.
3. Adjust the Color Control to the desired lightness or darkness. For first use, set the Color Control to medium (#3).
4. Remove all protective wrappings from food before placing in Toasting Slot(s). Avoid toasting torn slices of bread and broken pastries, which may get lodged in Toasting Slot(s).
5. Place frozen food in the Toaster Slot(s). **PUSH DOWN ON THE TOAST LEVER FIRST AND THEN PRESS THE DEFROST BUTTON.** The Defrost light will come on

NOTE: When using only one Toasting Slot to toast food, the bread or toaster food may be placed in either Toasting Slot. The Self Adjusting Toasting Slot(s) hold food upright for uniform side-to-side toasting. The defrost/toasting process will automatically toast for approximately 20 seconds longer to assure that the item will be defrosted as well as toasted.

6. Toast or toaster food will automatically pop up when the selected color is reached. The Toaster will shut off automatically. The automatic reset feature returns the Toaster to normal operation after each cycle.
7. To interrupt toasting, press the Cancel Button.
8. Unplug Cord from wall outlet when not in use.

NOTE: To prevent fire hazard, never place food over the opening of the Toaster Slot(s), but always place food into Toasting Slot.

Reheat Instructions

1. Place Toaster on a flat, level surface.
2. Plug cord into any 120 V 60 Hz outlet. The unit may emit an odor and/or smoke during first few uses from oils used in manufacturing. This is normal for a new appliance.
3. There is no need to adjust the Color Control. The Reheat toasting process will automatically toast for approximately 30 seconds on any Color Control setting.

Reheat Instructions (Cont.)

4. Remove all protective wrappings from food before placing in Toasting Slot(s). Avoid toasting torn slices of bread and broken pastries, which may get lodged in Toasting Slot(s).
5. Place the toaster food or bread in the Toasting Slot(s). **PUSH DOWN ON THE TOAST LEVER FIRST AND THEN PRESS THE REHEAT BUTTON.** The Reheat Light will come on.

NOTE: When using only one Toasting Slot to toast food, the bread or toaster food may be placed in either Toasting Slot. The Reheat toasting process will automatically toast for approximately 30 seconds. The Self-Adjusting Toasting Slot(s) hold food upright for uniform side-to-side toasting.

6. Toast or toaster food will automatically pop up when the selected color is reached. The Toaster will shut off automatically. The automatic reset feature returns the Toaster to normal operation after each cycle.
7. To interrupt toasting, press the Cancel Button.
8. Unplug Cord from wall outlet when not in use.

Removing Lodged Toast

If a piece of toast or food becomes lodged in the Toaster, unplug the Toaster and allow to cool. Press the Toasting Lever down. Turn the Toaster upside down, and shake the toast or food loose.

IMPORTANT: Never use a fork or sharp-edged utensil to remove toast or food, because that may damage the heating element or cause injury.

Special Features

SELF-ADJUSTING TOASTING SLOTS

Lowering the Toasting Lever closes the Bread Guides, holding the bread or food centrally in the Toasting Slots.

REHEAT BUTTON:

Your Toaster is equipped with a Reheat Button that allows you to reheat foods that have been previously toasted. The Reheat toasting process will automatically toast for approximately 30 seconds.

BAGEL BUTTON:

Your Toaster is equipped with a Bagel Button to toast bagels and English muffins by reducing the heat on the inside element to toast the heavier bread.



Important Points

- ◆ Remove all protective wrappings from food before placing in Toasting slots.
- ◆ For best results, clean Crumb Tray frequently.
- ◆ Different breads require different color settings. Press the CANCEL Button at any time to check toast color.
- ◆ Do not block top openings. Do not place any object over the top openings.
- ◆ Do not toast buttered bread or buttered pita bread. Melted butter will cause fire.
- ◆ Bread, which has been toasted but not buttered, may be reheated. Use the Reheat Button and watch it carefully.
- ◆ When toasting more than one slice of bread, use slices of similar size, thickness and freshness.
- ◆ Stale bread, thin bread or sweet bread products, such as teacakes and fruit loaf, brown much more quickly than ordinary bread, so they should be toasted on the lighter setting.
- ◆ Never immerse Toaster in water.
- ◆ **Never use a fork or sharp utensils to remove toast, because that may damage the heating element or cause injury.**

User Maintenance Instructions

This appliance requires little maintenance. It contains no user serviceable parts. Do not try to repair it yourself. Any servicing requiring disassembly other than cleaning must be performed by a qualified appliance repair technician.

To Clean

DO NOT IMMERSE IN WATER OR OTHER LIQUID.

Always unplug the Toaster and allow to cool fully before cleaning.

Crumb Tray: The Crumb Tray is located in the back of the Toaster. For ease in cleaning, grasp the Crumb Tray Handle and pull all the way out. Brush crumbs from the tray and, if necessary, wipe with a clean, damp cloth. Always dry the tray thoroughly before replacing. When replacing the tray, be sure to push firmly so that it is fully inserted in the back of the Toaster.

Exterior: Wipe surfaces with a clean, damp cloth. Do not use abrasive cleaners, as they may scratch the surface.

To Store

Unplug unit, allow to cool, and clean before storing. Store in its box in a clean, dry place. Never store it while it is hot or still plugged in. Never wrap cord tightly around the appliance. Do not put any stress on the cord where it enters the unit, as it could cause the cord to fray and break.



LIMITED ONE YEAR WARRANTY

Warranty: This Toastmaster® product is warranted to be free from defects in materials or workmanship for a period of (1) year from the original purchase date. This product warranty covers only the original consumer purchaser of the product.

Warranty Coverage: This warranty is void if the product has been damaged by accident in shipment, unreasonable use, misuse, neglect, improper service, commercial use, repairs by unauthorized personnel, normal wear and tear, improper assembly, installation or maintenance abuse or other causes not arising out of defects in materials or workmanship. This warranty is effective only if the product is purchased and operated in the USA, and does not extend to any units which have been used in violation of written instructions furnished with the product or to units which have been altered or modified or to damage to products or parts thereof which have had the serial number removed, altered, defaced or rendered illegible.

Implied Warranties: ANY IMPLIED WARRANTIES WHICH THE PURCHASER MAY HAVE ARE LIMITED IN DURATION TO ONE (1) YEAR FROM THE DATE OF PURCHASE. Some states do not allow limitations on how long an implied warranty lasts, so the above limitation may not apply to you.

Warranty Performance: During the above one-year warranty period, a product with a defect will be either repaired or replaced with a reconditioned comparable model (at our option) when the product is returned to the Repair Center, or the purchase price refunded. The repaired or replacement product will be in warranty for the balance of the one-year warranty period and an additional one-month period. No charge will be made for such repair or replacement.

Service and Repair: Should the appliance malfunction, you should first call toll-free 1 (800) 947-3744 between the hours of 9:00 am and 5:00 pm Central Standard Time and ask for CONSUMER SERVICE stating that you are a consumer with a problem. Please refer to model number TT2CTBW, TT2CTBB or TT2CTBBCAN when you call.

In-Warranty Service (USA): For an appliance covered under the warranty period, no charge is made for service or postage. Call for return authorization (1 800 947-3744).

Out-of Warranty Service: A flat rate charge by model is made for out-of-warranty service. Include \$ 8.00 (U.S.) for return shipping and handling. We will notify you by mail of the amount of the charge for service and require you to pay in advance for the repair or replacement.

For Products Purchased in the USA, but Used in Canada: You may return the product insured, packaged with sufficient protection, and postage and insurance prepaid to the USA address listed below. Please note that all customs duty / brokerage fees, if any, must be paid by you and we will require you to pay the cost of customs duty / brokerage fees to us in advance of our performing any service.

Risk During Shipment: We cannot assume responsibility for loss or damage during incoming shipment. For your protection, carefully package the product for shipment and insure it with the carrier. Be sure to enclose the following items with your appliance: any accessories related to your problem, your full return address and daytime phone number, a note describing the problem you experienced, a copy of your sales receipt or other proof of purchase to determine warranty status. C.O.D. shipments cannot be accepted.

To return the appliance, ship to:

Attn: Repair Center
Toastmaster Inc.
708 South Missouri Street
Macon, MO 63552
Email: consumer_relations@toastmaster.com
www.toastmaster.com

To contact us, please write to or call:

Toastmaster Inc.
P.O. Box 6916
Columbia, MO 65205-6916
1 (800) 947-3744

Limitation of Remedies: No representative or person is authorized to assume for us any other liability in connection with the sale of our products. There shall be no claims for defects or failure of performance or product failure under any theory of tort, contract or commercial law including, but not limited to negligence, gross negligence, strict liability, breach of warranty and breach of contract. Repair, replacement or refund shall be the sole remedy of the purchaser under this warranty, and in no event shall we be liable for any incidental or consequential damages, losses or expenses. Some states do not allow the exclusion or limitation of incidental or consequential damages, so the above limitation or exclusion may not apply to you.

Legal Rights: This warranty gives you specific legal rights, and you may also have other rights which vary from state to state.

© 2003 Toastmaster Inc.
All Rights Reserved

P/N 61326
Printed in China

Keep Dated Sales Receipts for Warranty Service.

Keep this booklet. Record the following for reference:

Date purchased _____

Model number _____

Date code (stamped on bottom) _____

**EVERYBODY EATS. It's a fact of life.
But sometimes preparing
meals can become a chore.
That's why TOASTMASTER has been invited
into millions of kitchens just like yours
so we can HELP YOU MASTER your
mixing, baking, grilling, toasting,
brewing, heating and serving
tasks WITH EASE AND STYLE.
The TOASTMASTER name stands for a
CELEBRATION of INNOVATION designed
to serve your life and keep you
COOKIN' IN STYLE.**





toastmaster®

- Extra-wide bagel-size slots
- Self-adjusting toasting slots
- Cancel, reheat, defrost and bagel buttons
- Electronic toast color control
- Slide-out Crumb Trays



Questions

Call toll free 1-800-947-3744

Monday–Friday, 8:00 a.m.-5:30 p.m. CST

www.toastmaster.com

TT2CTBW/TT2CTBB/TT2CTBBCAN

Download from Www.Somanuals.com. All Manuals Search And Download.

Free Manuals Download Website

<http://myh66.com>

<http://usermanuals.us>

<http://www.somanuals.com>

<http://www.4manuals.cc>

<http://www.manual-lib.com>

<http://www.404manual.com>

<http://www.luxmanual.com>

<http://aubethermostatmanual.com>

Golf course search by state

<http://golfingnear.com>

Email search by domain

<http://emailbydomain.com>

Auto manuals search

<http://auto.somanuals.com>

TV manuals search

<http://tv.somanuals.com>