

## MOTORIZED ZOOM LENS

### TM10Z0614GAIPN f = 6-60mm F1.4 VIDEO IRIS W/PRESET

#### SPECIFICATION

MODEL NUMBER		TM10Z0614GAIPN	
IMAGE FORMAT		1/3inch	
FOCAL LENGTH		6-60mm	
MAXIMUM APERTURE		F1:1.4	
APERTURE RATIO		F1:1.4-360	
BACK FOCAL LENGTH		11.25mm	
M.O.D.		1.5m	
ANGLE OF VIEW	DIAGONAL	W54.3°	T5.8°
	HORIZONTAL	W43.6°	T4.6°
	VERTICAL	W33.4°	T3.4°
FILTER SIZE		M46mm P=0.75	
DIMENSIONS		W65.0×H75.3×L102.5mm	
WEIGHT		500g	
OPERATING TEMPERATURE RANGE		-10°C~45°C	
OPERATING HUMIDITY RANGE		30%~70%	
MOUNT		CS	

#### ●AUTO IRIS

INPUT VOLTAGE	DC8V-16V
CURRENT CONSUMPTION	50mA OR LESS
INPUT SIGNAL	VS OR V SIGNAL
IRIS ACCURACY	±15% AT VIDEO SIGNAL LEVEL
SENSITIVITY	0.5~1.0Vp-p AT VIDEO SIGNAL LEVEL
RESPONSE SPEED	APPROX.2 SECONDS

#### ●FOCUS/ZOOM

INPUT VOLTAGE	DC6V-12V
CURRENT CONSUMPTION	50mA OR LESS
MOTORIZATION SPEED	APPROX.3 SECONDS

#### ●POTENTION METER-PRESET

CABLE COLOR	CONNECTION
PURPLE	POT.SUPPLY
GRAY	ZOOM POT.WIRE
ORANGE	POT.RETURN
BLUE	FOCUS POT.WIRE

#### ■CABLE CONNECTION

#### ●FOCUS

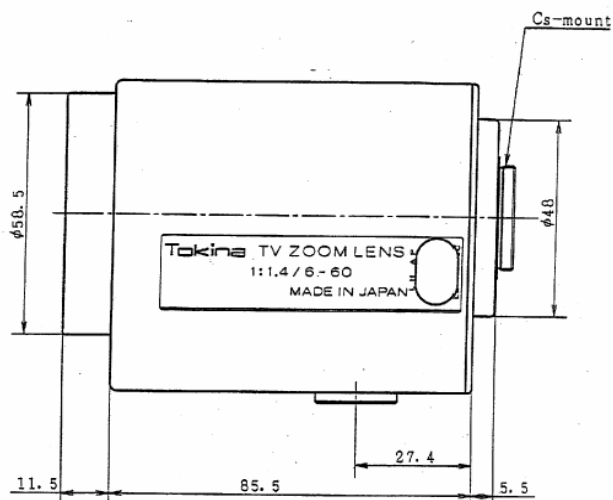
CABLE COLOR	POLARITY	DIRECTION
BLACK	+	INF.
GREEN	-	
BLACK	-	NEAR
GREEN	+	

#### ●ZOOM

CABLE COLOR	POLARITY	DIRECTION
RED	+	WIDE
YELLOW	-	
RED	-	TELE
YELLOW	+	

#### ●AUTO IRIS

CABLE COLOR	CONNECTION
RED	POWER (DC8V-16V)
WHITE	VS OR V SIGNAL
GREEN	REMOTE
BLACK	GND



## Free Manuals Download Website

<http://myh66.com>

<http://usermanuals.us>

<http://www.somanuals.com>

<http://www.4manuals.cc>

<http://www.manual-lib.com>

<http://www.404manual.com>

<http://www.luxmanual.com>

<http://aubethermostatmanual.com>

Golf course search by state

<http://golfingnear.com>

Email search by domain

<http://emailbydomain.com>

Auto manuals search

<http://auto.somanuals.com>

TV manuals search

<http://tv.somanuals.com>