

MODEL MC1246

McCULLOCH.

Portable Power Steam Cleaner



by Top Innovations, Inc.

**Please read all instructions before use.
Mail in your warranty registration card.**

Download from [Www.Somanuals.com](http://www.Somanuals.com). All Manuals Search And Download.

Dear Valued Customer,

Congratulations on purchasing your new **MC1246 Portable Power Steam Cleaner**. This powerful product combines the power of a full-size steam cleaner with the easy portability of a handheld steamer for the ultimate home cleaning and sanitizing solution.

Plug in your **Portable Power Steam Cleaner** and in minutes you are ready to eliminate dirt, grease, grime, stains and more from most anywhere in or around your home. In addition to removing dirt and grime, you will receive the many benefits that steam provides. Hot steam kills germs, bacteria, mold and mildew, sanitizing naturally without any need for harsh chemicals. It also helps refresh upholstery and reduces smoke and other unpleasant odors, making carpet and furniture seem like new again. Use the **Portable Power Steam Cleaner** in your living room, garage, bedrooms, automobiles, bathrooms and anywhere else that you need to clean, thanks to its convenient portable design. And when you're finished steaming, the **Portable Power Steam Cleaner** is easy to clean and store.

Top Innovations, Inc. would like to invite you to visit our Customer Support Web site at:

www.TopInnovations.com

On this Web site you will find additional information about many other exciting products that are available, helpful tips on ways in which you can utilize your **Portable Power Steam Cleaner**, and other useful information to assist you in maximizing the power of steam!

Enjoy your new **MC1246 Portable Power Steam Cleaner**!



Benny Lee
Chairman and CEO
Top Innovations, Inc.

PRODUCT SPECIFICATIONS:

VOLTAGE: 120V

WATTAGE: 1500W

AMPERAGE: 12A

WATER CAPACITY: 33 OZ. (976 ML.)

HEATING TIME: 6 MIN. (APPROXIMATE)

CONTINUOUS STEAM TIME: 30 MIN. (APPROXIMATE)

UNIT WEIGHT: 5.5 LBS. (2.5 KG.)

UNIT DIMENSIONS: 14.37" (L) x 7.08" (W) x 8.66" (H)

IMPORTANT SAFETY INSTRUCTIONS



WARNING: To reduce the risk of fire, electrical shock, or injury, the following basic safety precautions should always be followed when using an electrical appliance.

READ ALL INSTRUCTIONS BEFORE USING YOUR PORTABLE STEAM CLEANER

1. DO NOT leave your MC1246 *Portable Power Steam Cleaner* unattended when plugged in. Use only for intended purpose as indicated in this manual.
2. DO NOT operate unit with a damaged power cord or if the unit has been dropped or damaged. To avoid risk of electrical shock, DO NOT disassemble unit; take it to a qualified service repair person for examination and repair. Incorrect reassembly can cause a risk of electrical shock when unit is used.
3. To protect against risk of electrical shock, DO NOT immerse unit in water or other liquids. DO NOT allow electrical cord to touch hot surfaces or use cord or Steam Hose as a handle. DO NOT allow cord or Steam Hose to be closed in doors and crimped, or stretched around sharp corners or edges.
4. To reduce risk of fire, DO NOT use this unit with extension cords or electrical outlets that have inadequate current capacity. Only connect to a rated 120V/60Hz power supply.
5. To reduce risk of electrical shock, always disconnect unit from electrical outlet before cleaning or servicing, when filling with water or emptying and when not in use.
6. DO NOT overfill unit with water. Boiler is designed to hold a maximum of 33 oz. (976 ml.) of water. Overfilling may result in burns from spilling water, or possible electrical shock.
7. When filling the Boiler, only water should be used in unit. Other cleaning agents (chemicals, salts, etc.) will damage unit and can cause injuries.
8. To reduce risk of contact with hot water emitting from steam vents, check appliance before each use by holding Main Nozzle away from body and pressing Steam Trigger. Do not operate unit if steam vents are blocked.
9. Close supervision is required for any appliance being used near children, pets, and plants. Steam produced by unit is hot and pressurized; care must be taken to avoid burns or other injuries. Never point nozzle at people or pets.

SAVE THESE INSTRUCTIONS!
FOR HOUSEHOLD USE ONLY

Top Innovations, Inc.

Download from Www.Somanuals.com. All Manuals Search And Download.

IMPORTANT SAFETY INSTRUCTIONS



WARNING: To reduce the risk of electrical shock, this appliance has a three-pronged plug. This plug will fit in a polarized wall outlet only one way. If the plug does not fit fully in the outlet, contact a licensed electrician to install a proper outlet. DO NOT attempt to modify the plug or defeat this safety feature.

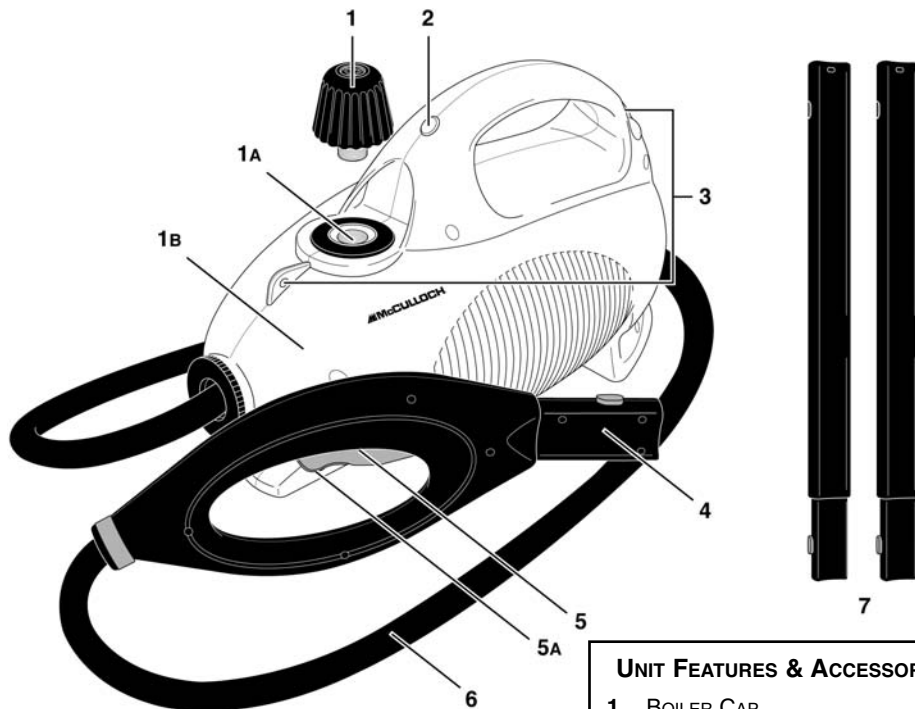
10. If Heating Indicator Light fails to illuminate when *Portable Power Steam Cleaner* is plugged in, unit is not operating normally. Immediately disconnect from power supply and have unit serviced by qualified service personnel.
11. DO NOT operate unit if steam opening is blocked. Should this occur, immediately cease use and unplug from electrical outlet.
12. To reduce risk of electrical shock, DO NOT use outdoors or on wet surfaces, or expose to rain.
13. Burns could occur from touching hot metal parts, hot water or steam. Use caution when turning a steam appliance upside down - there may be hot water in Boiler.
14. MC1246 is only meant to be used with recommended MC1246 accessories. Other types of attachments are not to be used with *Portable Power Steam Cleaner*. Doing so may cause injuries or damage to unit.
15. Main Nozzle and attachments become hot during use. To avoid injuries, DO NOT touch Main Nozzle while using this appliance. DO NOT attempt to change attachments while unit is emitting steam.
16. Steam Hose may become hot during use. Use caution when handling to avoid burns.
17. In order to unplug MC1246, grasp plug and pull smoothly and firmly from outlet. DO NOT attempt to unplug unit by pulling or tugging on electrical cord.
18. Allow unit to cool completely before putting away. Loop power cord loosely around unit when storing. Store your MC1246 *Portable Power Steam Cleaner* indoors in a cool, dry location.

SAVE THESE INSTRUCTIONS!
FOR HOUSEHOLD USE ONLY

PORTABLE POWER STEAM CLEANER PRODUCT INFORMATION

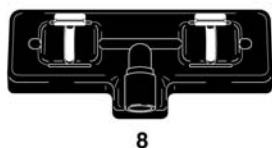
McCULLOCH

The following features and accessories are included with your *Portable Power Steam Cleaner*. Carefully inspect Styrofoam packaging material for all parts listed below. To obtain possible missing parts, refer to the **Customer Support** section on page 14 of this manual.



UNIT FEATURES & ACCESSORIES

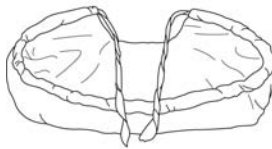
1. BOILER CAP
- 1A. BOILER FILL HOLE
- 1B. BOILER (INSIDE UNIT)
2. HEATING INDICATOR LIGHT
3. STRAP TABS
4. MAIN NOZZLE
5. STEAM TRIGGER
- 5A. STEAM LOCK SWITCH
6. STEAM HOSE
7. EXTENSION WANDS
8. UTILITY HEAD
9. CLOTH COVER
10. SHOULDER STRAP
11. STEAM JET NOZZLE
12. NYLON BRUSH
13. BRASS BRUSH
14. NOZZLE TIP
15. MEASURING CUP



8



11



9



12 13 14



10



15

- The *Boiler Cap* (1) securely covers the *Boiler Fill Hole*, preventing hot steam from escaping the *Boiler*. The *Boiler Cap* must be unscrewed and removed (only when the *Boiler* is completely cooled) in order to fill the *Boiler* with water.
- The *Boiler Fill Hole* (1A) is the inlet through which water is poured into the *Boiler*.
- The *Boiler* (1B) is the internal heating chamber where water is converted into steam. Some empty space inside the *Boiler* is required for this conversion process, so the recommended maximum water capacity should not be exceeded when filling with water.
- The *Heating Indicator Light* (2) illuminates to indicate that the unit is powered on and is heating, then deactivates when the unit is ready to begin steaming.
- The *Strap Tabs* (3) serve as the connection points for hooking the *Shoulder Strap* onto the unit.
- The *Main Nozzle* (4) releases a flow of hot, penetrating steam when the *Steam Trigger* is pressed. The *Steam Jet Nozzle* and *Extension Wands* connect directly to the *Main Nozzle*.
- The *Steam Trigger* (5) controls the flow of steam from the *Main Nozzle*. For a continuous flow of steam, the *Trigger* can either be held down manually or locked down with the *Steam Lock Switch*.

CAUTION: Do not direct steam towards surfaces that may be damaged by moisture or extreme heat.

- The *Steam Lock Switch* (5A) locks down the *Steam Trigger* for a continuous flow of steam.
- The *Steam Hose* (6) directs steam from the *Boiler* to the *Main Nozzle*, and is designed to remain flexible while safely containing the steam.
- The *Extension Wands* (7) connect to the *Main Nozzle*, allowing easy cleaning of floors, ceilings and other hard-to-reach places.
- The *Utility Head* (8) connects to the *Steam Jet Nozzle* and is designed for cleaning floors and other large surfaces. The *Utility Head* includes three modes of operation, including brush, squeegee, and neutral (flat). Refer to Page 8 for details.
- The *Cloth Cover* (9) attaches to the *Utility Head* for cleaning tile, hardwood and other hard surface floors while minimizing any potential heat and moisture damage.
- The *Shoulder Strap* (10) hooks onto the two *Strap Tabs*, allowing the unit to be conveniently toted hands-free while cleaning.
- The *Steam Jet Nozzle* (11) connects to either the *Main Nozzle* or the *Extension Wands*, and is designed to safely focus the flow of steam. The *Utility Head*, *Brushes* and *Nozzle Tip* all connect to the *Steam Jet Nozzle*.
- The *Nylon Brush* (12) connects to the *Steam Jet Nozzle* and is designed to work with steam to remove stubborn stains and grime. It is intended for use on tile, grout, carpet, upholstery, and any other surface that will not be scratched or damaged by the nylon bristles.
- The *Brass Brush* (13) connects to the *Steam Jet Nozzle* and is designed to work with steam to remove stubborn stains and grime. It is intended for use on BBQ grills, oven racks, automobile engines & wheels, shop tools and other hard metal surfaces

NOTE: Some delicate surfaces, such as stainless steel, may be scratched or damaged by the brass bristles. Use careful judgement when deciding what surface to clean with the Brass Brush. If you are unsure if a surface will be damaged, it is recommended that you test a small inconspicuous spot before proceeding.

- The *Nozzle Tip* (14) connects to the *Steam Jet Nozzle* and is designed to finely focus the flow of steam. It is recommended to always use the *Nozzle Tip* when not using either of the *Brushes* or the *Utility Head* with the *Steam Jet Nozzle*.
- The *Measuring Cup* (15) holds 16 oz. (500 ml.), and is provided to assist in easily and consistently filling the *Boiler* with the optimum amount of water (33 oz. / 976 ml.).

ASSEMBLING THE PORTABLE POWER STEAM CLEANER

McCULLOCH

CONNECTING THE STEAM JET NOZZLE

1. Align Steam Jet Nozzle with Main Nozzle as shown (FIGURE 1-A).
2. Press down on the yellow locking button located on Main Nozzle. While continuing to hold button down, slide Steam Jet Nozzle onto Main Nozzle. Push Steam Jet Nozzle over button, and continue to push it on until button snaps through hole on Steam Jet Nozzle (FIGURE 1-B).
3. To remove, press in on yellow locking button while simultaneously pulling Steam Jet Nozzle off of Main Nozzle.

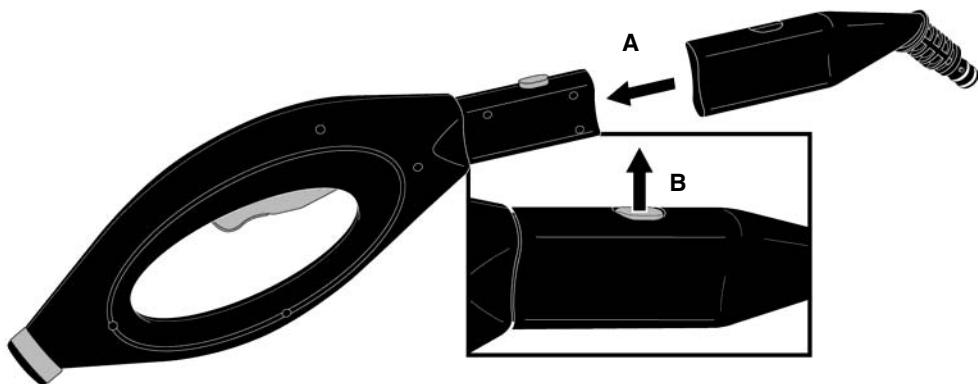


FIGURE 1

CONNECTING THE BRUSHES OR NOZZLE TIP

1. Align Brush or Nozzle Tip with Steam Jet Nozzle as shown (FIGURE 2-A). Make sure that two side pegs on tip of Steam Jet Nozzle align with grooves inside of Brush or Nozzle Tip.
2. Slide Brush or Nozzle Tip onto Steam Jet Nozzle, then rotate clockwise (when viewed from front) to lock in place (FIGURE 2-B). Side pegs on Steam Jet Nozzle will be visible through small holes in Brush or Nozzle Tip (FIGURE 2-C).

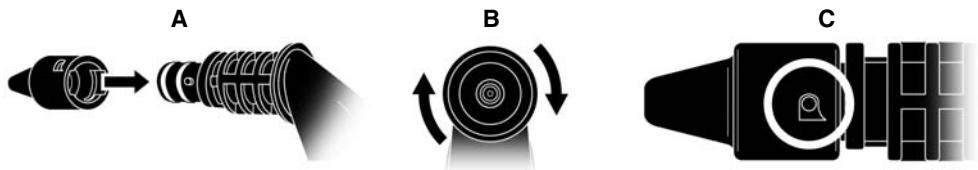


FIGURE 2

CONNECTING THE UTILITY HEAD

1. Align Steam Jet Nozzle and Utility Head as shown (FIGURE 3-A). Flat edge of Nozzle will align with peg inside of Head connection.
2. Slide Steam Jet Nozzle into Utility Head, pushing Nozzle in as far as it will go to make sure it is in proper position (FIGURE 3-B).
3. Rotate Steam Jet Nozzle one half turn (180°) to secure it to Utility Head (FIGURE 3-C).

NOTE: Steam Jet Nozzle will NOT lock into position, and can still be freely rotated. However, it will not disconnect from Utility Head unless turned back a full 180°.

4. Utility Head has three modes of operation, depending on position of levers:
 - Forward Position (FIGURE 3-D) - lowers brush bristles for use on carpeting or upholstery.
 - Neutral (Middle) Position (FIGURE 3-E) - for use on hardwood, linoleum or tile surfaces. **Make sure to attach Cloth Cover when mopping floors.**
 - Back Position (FIGURE 3-F) - lowers squeegee for use on smooth surfaces such as windows or mirrors.

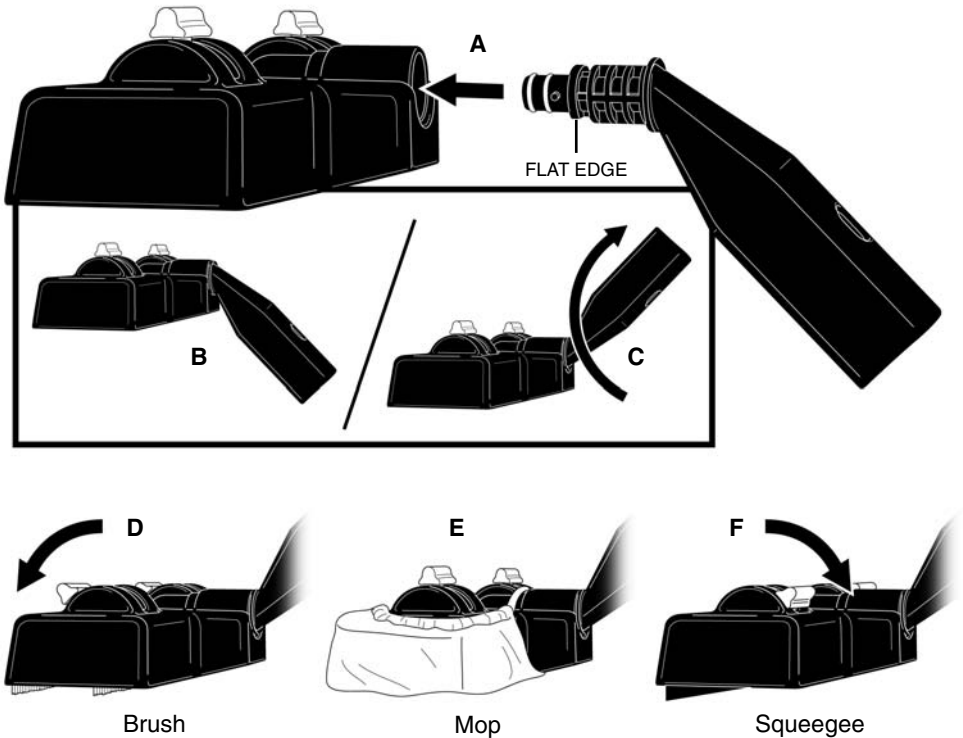


FIGURE 3

ASSEMBLING THE PORTABLE POWER STEAM CLEANER

McCULLOCH

CONNECTING THE EXTENSION WANDS

1. Select one of the Extension Wands, and align rear end of Wand with Main Nozzle as shown (FIGURE 4-A).
2. Press down on the yellow locking button located on Main Nozzle. While continuing to hold button down, slide Extension Wand onto Nozzle. Push Wand over button, and continue to push it on until button snaps through hole on Wand (FIGURE 4-B).
3. Now slide second Extension Wand onto end of the one you just connected as shown (FIGURE 4-C). Push on firmly until yellow locking button on first Wand snaps through hole on second Wand.
4. Slide Steam Jet Nozzle (with connected Utility Head) onto end of second Extension Wand as shown (FIGURE 4-D). Push on firmly until yellow locking button on second Wand snaps through hole on Steam Jet Nozzle.

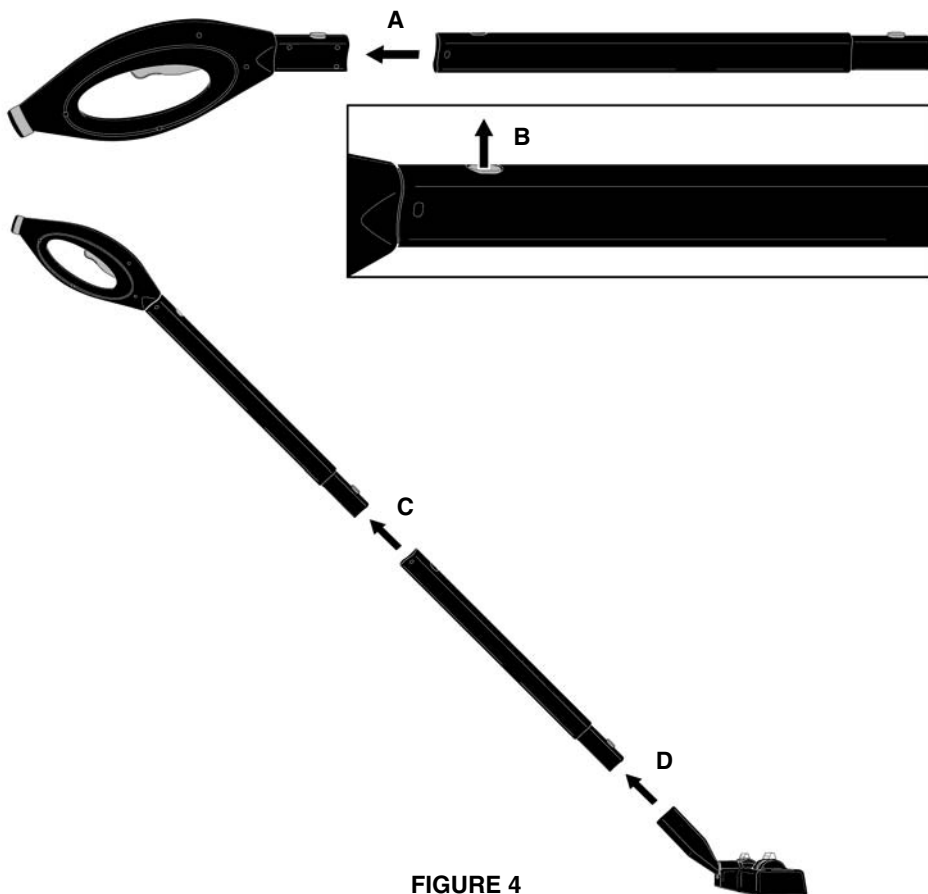


FIGURE 4

Top Innovations, Inc.

Download from [Www.Somanuals.com](http://www.Somanuals.com). All Manuals Search And Download.

ATTACHING THE CLOTH COVER

1. Wrap Cloth Cover around bottom of Utility Head, so that string-ties are positioned around rear connection of Head (FIGURE 5-A).
2. Tie string-ties together to secure Cloth to Head (FIGURE 5-B).

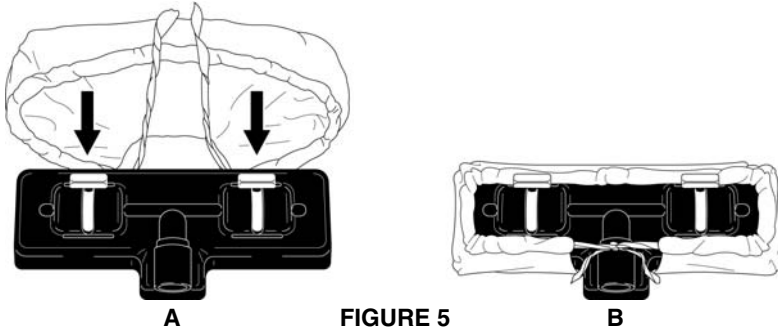


FIGURE 5

CONNECTING THE SHOULDER STRAP

1. Grasp hook on one end of Shoulder Strap. Press down and hold lock to open hook (FIGURE 6-A).
2. Slide hook through hole of front Strap Tab, then release lock to close hook (FIGURE 6-B).
3. Repeat **Steps 1 & 2**, this time connecting opposite hook of Shoulder Strap to rear Strap Tab.

Shoulder Strap should now be securely connected to the main unit.

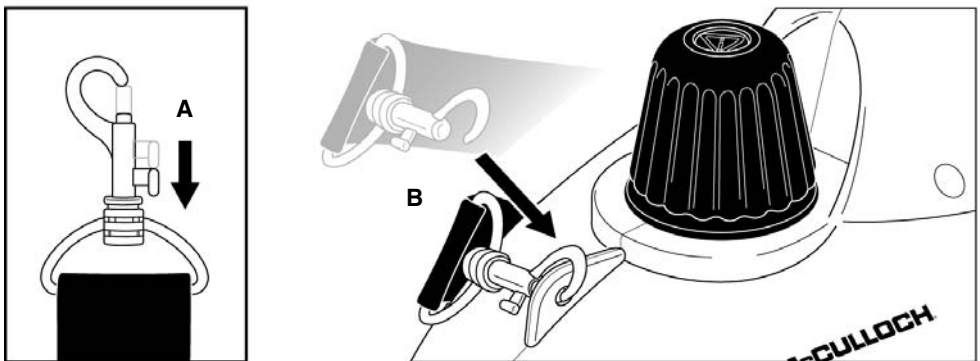


FIGURE 6

USING THE PORTABLE POWER STEAM CLEANER

McCULLOCH

FILLING BOILER WITH WATER

1. Place *Portable Power Steam Cleaner* on a flat, level surface.
2. Make sure electrical cord is unplugged from outlet.
3. If unit has been in use, press and hold Steam Trigger to ensure that any remaining steam has been released. Allow approximately 30 minutes for Boiler to cool.
4. Cautiously unscrew Boiler Cap by rotating it in a counter-clockwise direction, and remove (FIGURE 7-A).
5. Boiler should always be emptied after each use. If it was not emptied after the last use, empty it now. This will prevent over-filling.
6. Fill included Measuring Cup to 16 oz. (473 ml.) fill line with water.

NOTE: To prolong the lifetime of your Portable Power Steam Cleaner, it is highly recommended that distilled or de-mineralized water be used in unit.

7. Carefully pour water from Measuring Cup into Boiler through Fill Hole.

WARNING: Extreme caution should be used when pouring water into the Boiler. Do not look directly down into Fill Hole when filling. Keep your free hand and any children or pets at a safe distance.

8. If desired, refill Measuring Cup to 16 oz. (473 ml.) fill line with water, and pour into Boiler.

NOTE: Do not exceed the Boiler's maximum capacity of 33 oz. (976 ml.)

9. Replace Boiler Cap, rotating it in a clockwise direction and ensuring that it is screwed on tightly to prevent hot steam from escaping and causing injury (FIGURE 7-B).

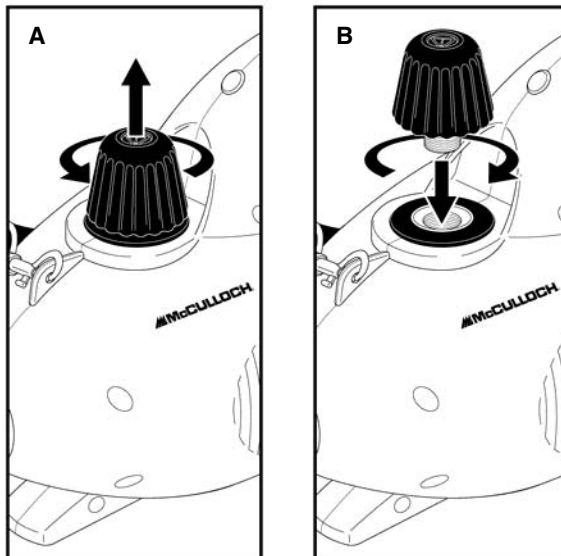


FIGURE 7

OPERATING THE *PORTABLE POWER STEAM CLEANER*

NOTE: Be sure that Boiler has already been filled and that all desired accessories are connected before following these steps.

1. Plug electrical cord into a convenient electrical outlet.

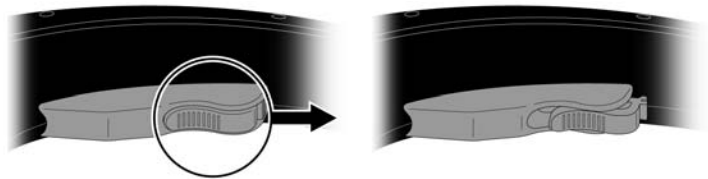
CAUTION: This unit uses a grounded (3-prong) electrical plug. Use only in properly installed 3-prong electrical outlets. Do not attempt to alter plug or circumvent this safety feature in any way.

2. Heating Indicator Light will immediately illuminate, indicating that unit is powered on and Boiler is heating.
3. After approximately 6 minutes, Heating Indicator Light will deactivate. This indicates that Boiler is heated and unit is ready to begin steaming.
4. Direct Main Nozzle (and connected accessories) towards surface you wish to steam, and press Steam Trigger. To sanitize surfaces, point Nozzle, press Trigger and hold approximately 1/2 inch from surface for at least 5 seconds. This will insure that you have killed germs and bacteria.

CAUTION: Always be sure that Main Nozzle and other accessories are pointed in a safe direction (away from yourself, other people, pets, and plants) before pressing Steam Trigger.

5. Keep Steam Trigger depressed for a continuous flow of steam. You may also slide the Steam Lock Switch backward while depressing the Trigger to lock it down (FIGURE 8). This will allow a continuous flow of steam without holding the Trigger manually.

FIGURE 8



6. Using a slight back-and-forth motion over the area you are steaming will further enhance the cleaning process. Wipe steamed areas with a clean cloth to remove loosened dirt and grime.

CAUTION: Wiping the area while it is still wet is recommended, but use care when wiping surfaces such as metal that may still be hot.

NOTE: During use, the Heating Indicator Light may illuminate, accompanied by a slight drop in steam pressure. This is normal.

7. Once steaming tasks are complete, immediately unplug electrical cord from outlet. Follow steps under **Proper Storage** section on page 13 of this manual.

PROPER STORAGE

Preparing your *Portable Power Steam Cleaner* for storage is quick and simple. When you have finished your steaming tasks, follow the steps listed below.

1. Unplug electrical cord from outlet.
2. Allow unit to cool completely (at least 30 minutes).
3. Remove all connected accessories from unit.
4. Remove Boiler Cap and drain any water remaining in Boiler into sink or tub. Replace Boiler Cap.
5. Store *Portable Power Steam Cleaner* and all accessories in a cool, dry place.

REMOVING MINERAL BUILD-UP

A common problem with steam appliances is mineral build-up caused by high mineral content in many municipal water supplies, which may reduce the life of your *Portable Power Steam Cleaner*. **The best way to minimize mineral build-up is to use distilled or de-mineralized water.** If you are unable to use distilled water, the following procedure is recommended once every 2-3 uses.

1. Unplug electrical cord from outlet and allow unit to completely cool.
2. Remove all connected accessories from unit.
3. Remove Boiler Cap and drain any water remaining in Boiler into a sink or tub.
4. Using Measuring Cup, make a mixture of 8 oz. (237 ml.) vinegar and 8 oz. (237 ml.) water.
5. Slowly pour water-vinegar solution into Boiler, then replace Boiler Cap.
6. Allow water-vinegar solution to sit in Boiler for for 40-60 minutes. Afterwards, shake unit vigorously to further loosen mineral deposits.
7. Remove Boiler Cap and drain water-vinegar solution into a sink or tub.
8. Rinse out Boiler with fresh water until vinegar odor dissipates.
9. Replace Boiler Cap.

If distilled water is used, it is still a good idea to clean out Boiler after 15-20 hours of use. **Do not exceed 20 hours of use without cleaning unit.**

PROBLEM	POSSIBLE CAUSE	SOLUTION
Unit fails to steam. Heating Indicator Light does not illuminate.	Unit is not plugged in.	Plug electrical cord into outlet.
	Household Circuit Breaker / Ground Fault Interrupter has tripped or blown a fuse.	Reset Circuit Breaker / Ground Fault Interrupter, or replace fuse. If you need assistance, contact a licensed electrician.
Heating Indicator Light does illuminate, but unit fails to steam.	Mineral build-up in unit.	Follow Removing Mineral Build-Up procedure on page 13 of this manual.
	Unit may be suffering from internal mechanical problems.	Unplug unit and contact Customer Support Department for repair / replacement assistance.
Steam output is weak or intermittent.	Mineral build-up in unit.	It is normal for unit to periodically stop steaming for a few seconds. If steam stays off for longer periods, follow Removing Mineral Build-Up procedure on page 13 of this manual.
Excessive gurgling in Steam Hose and Main Nozzle / water drips from Nozzle.	Water condensation in Steam Hose.	Some gurgling is a natural effect of steaming process. For excessive gurgling or dripping water, point Main Nozzle towards ground and shake to remove excess water droplets.
	Boiler has been over-filled.	Empty some water out of Boiler, so that it contains no more than 33 oz. of water.

CUSTOMER SUPPORT

For problems with your *Portable Power Steam Cleaner*, please refer to the troubleshooting solutions located above. Additional inquiries should be directed to our Customer Support services through our Web site, www.TopInnovations.com, on the Service Request Web page.

If you do not have internet access, you may also contact our Customer Support Department by telephone, at (800) 711-6617 or (816) 584-9700.

NOTE: In order for our customer service representatives to help you as quickly and efficiently as possible, please have the following information ready before calling:

- Purchase information (where and when you purchased this product)
- Product Serial Number

You must call Top Innovations Warranty Service at (800) 711-6617 and obtain a Return Authorization Number before returning any product for any reason.

30-DAY MONEY BACK POLICY

If this item does not meet your expectations, it may be returned within 30 days of the date of purchase for either a replacement or full refund of the purchase price less any shipping charges. In some circumstances, an additional restocking fee will apply.

ONE YEAR LIMITED WARRANTY

(If outside USA, additional shipping charges may apply)

Top Innovations, Inc., warrants this product to be free from defects in material and workmanship for a period of (1) one year from the date of purchase. This warranty does not cover damage caused by misuse, negligence, use by improper current or voltage, commercial use, use contrary to operating instructions or disassembly, repair or alteration by any person other than Top Innovations, Inc. Warranty Service Department.

Top Innovations, Inc., will repair or replace at its option. This warranty gives you specific legal rights and may have other rights, which may vary from state to state.

Should there be any missing or defective parts or accessories, please contact Customer Support. In most cases, it is not necessary to return the entire unit. We can ship most replacement parts directly to your home.

Upon expiration of your 1 year limited warranty, you will be advised of the cost of repair before any servicing is done. **You must have a Return Authorization Number.** For non-warranty service, please enclose a check for the amount required. Or, you may pay by money order, Visa, MasterCard, AmEx or Discover credit card.

If you need to request warranty service, or have any questions about coverage under this warranty, please visit the Warranty Service Request page on our Web site, www.TopInnovations.com. You may also email customerservice@topinnovations.com, or phone (800) 711-6617, ext 130 or 131.

Please have your product serial number ready before contacting Warranty Service Department. The serial number is located on the back or bottom of your unit.

Performance of any obligation of this Warranty, or 30-Day Money Back Policy, may be obtained by:

1. Call (800) 711-6617 for a Return Authorization Number before returning your unit. Failure to obtain a Return Authorization Number will cause a delay in service.
2. Include a copy of purchase receipt.
3. Box the item securely, in its original packaging if available. Include original packing materials and accessories unless advised otherwise by a Customer Service agent.
4. Include your name, address, telephone number, and Return Authorization Number on returned package.

Send unit postage/freight-prepaid (Top Innovations does not accept "collect" or COD returns) to:

**Top Innovations, Inc.
Warranty Service Department
6655 Troost Ave.
Kansas City, MO 64131**

Call Top Innovations, Inc., Customer Service at (800) 711-6617, or (816) 584-9700 if you have any questions about the procedures described above.



Top Innovations, Inc.

6655 Troost Ave.

Kansas City, MO 64131

Tel: (800) 711-6617

(816) 584-9700

www.topinnovations.com

customerservice@topinnovations.com



Printed in China

PRODUCT SERIAL NUMBER

For your convenience, space has been provided below for you to record the serial number of your unit (located on the back or bottom of the unit) for easy reference when contacting our Customer Service Department.

_____ - _____

Free Manuals Download Website

<http://myh66.com>

<http://usermanuals.us>

<http://www.somanuals.com>

<http://www.4manuals.cc>

<http://www.manual-lib.com>

<http://www.404manual.com>

<http://www.luxmanual.com>

<http://aubethermostatmanual.com>

Golf course search by state

<http://golfingnear.com>

Email search by domain

<http://emailbydomain.com>

Auto manuals search

<http://auto.somanuals.com>

TV manuals search

<http://tv.somanuals.com>