

MODEL SF-680

SteamFast

Digital Fabric Steam Press



by Top Innovations, Inc.

**Please read all instructions before use.
Mail in your warranty registration card.**

Dear Valued Customer,

Congratulations on purchasing your new **Digital Fabric Steam Press**. This powerful new product is designed to give your garments a clean, wrinkle-free, ironed look without the hassle of using a conventional iron.


Turn your **Digital Fabric Steam Press** on, and in minutes, you are ready to delicately remove wrinkles from garments, and restore crisp, long-lasting creases. With a pressing surface that is up to ten times larger than most hand-held irons, the **Digital Fabric Steam Press** can reduce your ironing time by up to 50%, giving you more free time to do the things that really matter to you. When you combine this with features like multiple dry and steam settings, a powerful steam burst function, variable temperature control, and an automatic shut-off safety system, you will find that the **Digital Fabric Steam Press** is capable of doing everything you need, and much, much more.

Top Innovations, Inc. would like to invite you to take advantage of our Customer Support web site at:

www.topinnovations.com

On this website you will find additional information about many other exciting products that are available, helpful tips on ways in which you can utilize your **Digital Fabric Steam Press**, and other useful information to assist you in maximizing the power of steam!

Enjoy your new **Digital Fabric Steam Press**!




Benny Lee
Chairman and CEO
Top Innovations, Inc.



WARNING: To reduce the risk of fire, electrical shock, or injury, the following basic safety precautions should always be followed when using an electrical appliance.

READ ALL INSTRUCTIONS BEFORE USING YOUR STEAM PRESS

1. DO NOT leave your SF-680 Digital Fabric Steam Press unattended when plugged in or not in use.
2.  **This unit is not a toy. Close supervision is required when using unit near children, pets, and plants. Unit produces steam that is hot and pressurized. Care must be taken to avoid burns or other injuries.**
3. Always unplug electrical cord when unit is not in use. DO NOT use this unit if electrical cord or outlet is damaged. DO NOT use unit if it is not working properly or has been dropped, damaged, or left outdoors. If such damage occurs, return unit to a licensed service technician for repairs.
4. This unit is an electrical appliance. DO NOT submerge it in water. DO NOT use electrical cord as a handle. DO NOT allow cord to be crimped by closing it in doors. DO NOT pull or stretch cord around sharp corners or edges. Be sure to keep electrical cord away from all heated surfaces.
5. DO NOT use this unit with extension cords or electrical outlets that have inadequate current capacity. A three-prong outlet or a properly grounded adapter is necessary when using SF-680 Digital Fabric Steam Press.
6. In order to unplug SF-680 Digital Fabric Steam Press, grasp plug and pull smoothly and firmly from outlet. DO NOT attempt to unplug unit by pulling or tugging on cord.
7. Use caution when operating unit, as burns can occur from touching hot metal parts, or from close proximity to steam.

SAVE THESE INSTRUCTIONS!
FOR HOUSEHOLD USE ONLY



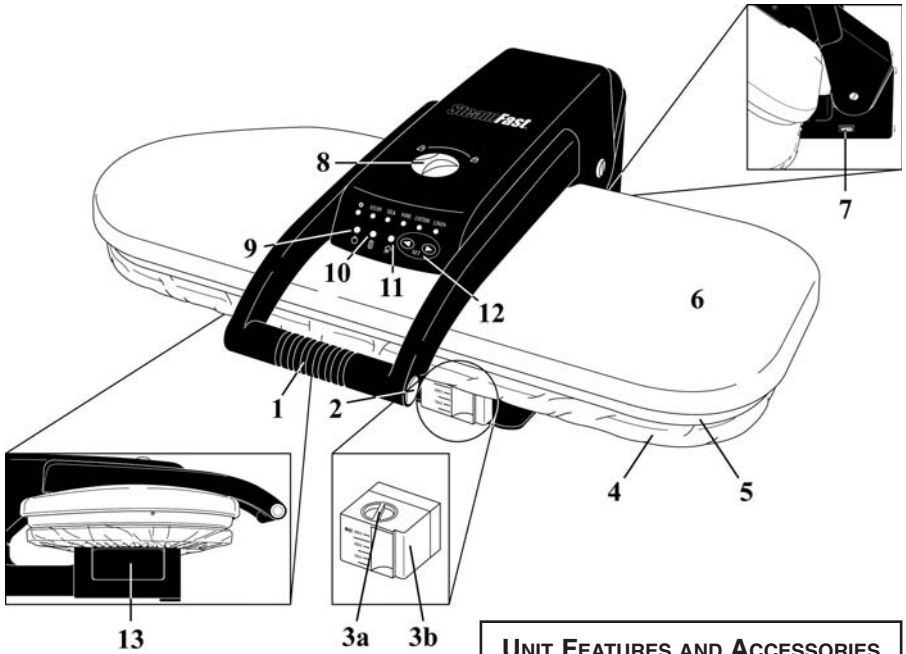
WARNING: To reduce the risk of electric shock, this appliance has a three-pronged plug. This plug will fit in a polarized wall outlet only one way. If the plug does not fit fully in the outlet, contact a licensed electrician to install a proper outlet. **DO NOT** attempt to modify the plug or defeat this safety feature.

8. **DO NOT** handle or use this unit while hands are wet or when not wearing shoes. To avoid falls and other injuries, be sure to dry any wet areas on floors and to stand away from damp surfaces while using steam press.
9. SF-680 Digital Fabric Steam Press is only meant to be used with recommended SF-680 accessories. Other types of accessories are not to be used with Digital Fabric Steam Press. Doing so may cause injuries or damage to unit.
10. Surfaces become hot during use. To avoid injuries, **DO NOT** touch Pressing Plate or any other surface while using this appliance. **DO NOT** place arms or hands between Pressing Plate and Ironing Board while unit is in operation.
11. When filling your Digital Fabric Steam Press with distilled water, **DO NOT** fill Water Reservoir past MAX (300 ml) line.
12. Before filling unit with water, always take the following steps:
 - (1) Turn appliance off
 - (2) Unplug electrical cordFailure to follow these steps may result in electric shock and injury.
13. Only water should be used in unit. Other cleaning agents will damage unit and can cause injuries.
14. **DO NOT** operate unit if steam openings are blocked. Should this occur, shut unit off and unplug.
15. Store your SF-680 Digital Fabric Steam Press in a cool, dry place. Always allow unit to cool completely before storing.

SAVE THESE INSTRUCTIONS!
FOR HOUSEHOLD USE ONLY

DIGITAL FABRIC STEAM PRESS PRODUCT INFORMATION

The following features and accessories are included with your steam press. Carefully inspect packaging material as some parts are shipped inside Styrofoam packaging. To obtain possible missing parts, refer to the **Customer Support** section on page 10 of this manual.



- UNIT FEATURES AND ACCESSORIES**
- 1. Handle
 - 2. Steam Burst Buttons
 - 3a. Water Reservoir Cap
 - 3b. Water Reservoir
 - 4. Ironing Board
 - 5. Pressing Plate
 - 6. Pressing Plate Cover
 - 7. On/Off Switch
 - 8. Locking Knob
 - 9. Power Indicator Light (Red)
 - 10. Pressing Indicator Light (Green)
 - 11. Steam Burst Ready Indicator Light (Yellow)
 - 12. Temperature Control Buttons
 - 13. Cord Storage Compartment
 - 14. Measuring Cup
 - 15. Spray Bottle
 - 16. Pressing Cushion

- The *Handle* (1) is used to safely lift up and lower the *Pressing Plate*, and carry the unit.
- The *Steam Burst Buttons* (2) are located on either side of the *Handle*, and produce a powerful burst of steam when pressed.
- The *Water Reservoir Cap* (3a) covers the *Water Reservoir* fill hole and must be removed in order to fill the *Water Reservoir* with distilled water.
- The *Water Reservoir* (3b) is the tank in which distilled water is stored for use by the unit. There must be water in the *Water Reservoir* in order for the units steam burst function to work correctly.
- The *Ironing Board* (4) is the padded surface onto which fabric is placed during pressing. The fabric cover is removable and can be washed.
- The *Pressing Plate* (5) is the temperature-controlled teflon surface that heats and presses fabric.
- The *Pressing Plate Cover* (6) is the stainless-steel cover that protects the *Pressing Plate*.
- The *On/Off Switch* (7) activates and deactivates the unit.
- The *Locking Knob* (8) locks the *Pressing Plate* and *Ironing Board* together. This allows for carrying and storage of the unit.
- The *Power Indicator Light (Red)* (9) illuminates when the *On/Off Switch* is set to the "On" position, providing you with a clear visual indication that the unit is powered on.
- The *Pressing Indicator Light (Green)* (10) illuminates while the unit is heating to the selected temperature. When deactivated, this indicates that you are ready to press.
- The *Steam Burst Ready Indicator Light (Yellow)* (11) illuminates once the unit is ready to produce bursts of steam, providing you with a clear visual indication that you can begin using the *Steam Burst Buttons*.
- The *Temperature Control Buttons* (12) are pushed to select a desired temperature. Press the right arrow button to cycle right through the list of fabric choices above the buttons, and press the left arrow button to cycle left through the list of fabric choices above the buttons.
- The *Cord Storage Compartment* (13) provides a convenient and easily accessible place to store the power cord.
- The *Measuring Cup* (14) is designed to assist you in easily filling the *Water Reservoir* with distilled water.
- The *Spray Bottle* (15) allows you to moisten fabrics before pressing, which helps to make the pressing process easier and more effective in certain instances.
- The *Pressing Cushion* (16) is a fabric-covered pad used for pressing gathered or contoured areas such as sleeves, darts, or yokes.

FILLING WATER RESERVOIR

1. Place Digital Fabric Steam Press on a flat, level surface.
2. Turn Locking Knob to “Unlock” position to unlock Pressing Plate.
3. Lift up Pressing Plate using Handle. It will automatically stay in lifted position.
4. Pull Water Reservoir out. Note that Water Reservoir cannot be completely removed from unit; do not attempt to force it free.
5. Remove Water Reservoir Cap to expose Water Reservoir fill hole.
6. Using Measuring Cup (included), fill Water Reservoir up to the MAX (300 ml) line with distilled water.
7. Replace Water Reservoir Cap and push filled Water Reservoir back into main unit.

OPERATING DIGITAL FABRIC STEAM PRESS

1. Plug power cord into electrical outlet, and set On/Off Switch to “On” position (FIGURE 1).
2. Identify type of fabric you are going to press, and select corresponding temperature setting using Temperature Control Buttons. Note that it is best to start with the most delicate fabrics first, as higher levels of heat will cause damage to Nylon and Silk.
3. Lay fabric flat on Ironing Board.
4. Digital Fabric Steam Press is ready for use when Pressing Indicator Light deactivates. If pressing wool, you may choose to spray with a burst of steam. This function is available once Steam Burst Ready Indicator Light illuminates.

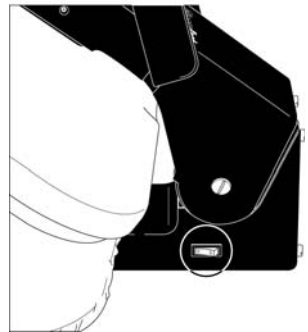


FIGURE 1

NOTE: Do not activate burst of steam with unit completely closed, as this may damage unit. Best results are obtained if Pressing Plate is held open approximately 75 mm above Ironing Board before pressing Steam Burst Button. For safety reasons, do not hold Pressing Plate open more than 75 mm when using steam burst function.

5. To press, lower Pressing Plate gently onto fabric and Ironing Board. Hold there for 8-10 seconds, then lift up Pressing Plate. Repeat until you have achieved desired crease and smoothness.
6. Once pressing tasks are complete, immediately set On/Off Switch to “Off” position. Refer to page 9 of this manual for further information about cleaning and storage of Digital Fabric Steam Press.

STEAM BURST

1. Hold Pressing Plate approximately 3” above Ironing Board.
2. Press Steam Burst Button to release a burst of steam onto fabric.
3. Lower Pressing Plate onto fabric, then raise once again.
4. Repeat steps 1-3 above until fabric is smooth and wrinkle-free.

PRESSING AND STEAMING TIPS

Pressing Shirts and Blouses

1. Place shoulder yoke on Ironing Board first and press.
2. Next, place sleeves onto Ironing Board with fold parallel to long seam and press.
3. Place cuffs onto end of Ironing Board and press.
4. Place bottom of shirt behind Ironing Board. Begin by pressing the side with pocket. Pull shirt towards you as you press each section.
5. Finish by pressing collar of shirt.

Pressing Pants

1. Place Pressing Cushion under waistband and press, repositioning waistband until completely pressed.
2. To press inseam, place Pressing Cushion under area to be pressed.
3. Place pleated area on Ironing Board. Carefully fold pleats and press.
4. Embroidery should be placed face down on Ironing Board to reduce wear and prevent damage to delicate areas.

Other Techniques

- Placing Pressing Cushion between fabric and Pressing Plate may help with delicate fabrics.
- Buttons and zippers. If you have older types of buttons or zippers, you may need to take special care to avoid melting. In order to do so, place garment face-down and cover with Pressing Cushion before pressing.
- Spray Bottle may be used to spray fabrics lightly. This will further help to remove exceptionally stubborn wrinkles.
- Place a damp cloth over fabric before pressing, which will help with stubborn wrinkles or heavy gauge fabrics.
- To press large pieces of fabric, place entire piece behind Ironing Board. Pull fabric towards you, over Ironing Board, and lower Pressing Plate. Press fabric in sections until completed.

AUTO SHUT-OFF

The Auto Shut-Off feature of the Digital Fabric Steam Press includes both an Auto Shut-Off and an Auto Wake-Up. These multiple function safety features deactivate electrical power to the heater when the Pressing Plate has been left in closed position against the Ironing Board for more than 10 seconds. Heater deactivation is signaled by a beeping sound. Heater functionality is restored when the Pressing Plate is lifted back up.

Power to the heater will also be cut if the Pressing Plate is left in the lifted position without use for approximately 15 minutes (signaled by a beeping sound for approximately 22 seconds). After the beeping sound has stopped, the heating ability of the unit can only be restored in by pressing the Temperature Control Buttons.

IMPORTANT: Auto Shut-Off does not mean that power to the unit is totally cut off. Power is always on, and the Power Indicator Light will remain illuminated until On/Off Switch is set to “Off” position.

CLEANING THE DIGITAL FABRIC STEAM PRESS

1. Place Pressing Cushion in the middle of Ironing Board.
2. Place a clean towel over Pressing Cushion and Ironing Board.
3. Set Temperature Control Buttons to the highest setting (LINEN).
4. When Steam Burst Ready Indicator Light illuminates, lower Pressing Plate onto Pressing Cushion.
5. Press Steam Burst Button six times.
6. Allow Pressing Plate to cool.
7. Clean Pressing Plate with damp cloth. Do not use abrasive materials, as this may damage Pressing Plate.
8. Ironing Board fabric cover is removable for cleaning. Hand wash only with mild detergent.

PROPER STORAGE

1. Once pressing is complete, immediately turn unit off and unplug power cord from electrical outlet.
2. Allow unit to cool completely (at least 30 minutes).
3. Lower Pressing Plate down, and turn Locking Knob to “Lock” position.
4. Wrap up power cord and place in Cord Storage Compartment.
5. Store all accessories safely away, preferably near Digital Fabric Steam Press.
6. Store Digital Fabric Steam Press in a cool, dry place.

PROBLEM	POSSIBLE CAUSE	SOLUTION
Unit fails to steam. Power Indicator Light does not illuminate.	Unit is not plugged in.	Plug into electrical outlet.
	Household Circuit Breaker / Ground Fault Interrupter has tripped or blown a fuse.	Reset Circuit Breaker / Ground Fault Interrupter, or replace fuse. If you need assistance, contact a licensed electrician.
Unit fails to steam. Power Indicator Light does illuminate.	Auto Shut-Off has engaged.	Refer to Auto Shut-Off section on page 9 of this manual for proper procedure.
	Water Reservoir is empty.	Refill Water Reservoir using procedures on page 7 of this manual.
	Unit is damaged or malfunctioning.	Please contact our customer support department.
Steam Burst output is weak or intermittent.	Pressing Plate needs to be cleaned.	Refer to Cleaning the Digital Fabric Steam Press section on page 9 of this manual for proper procedure.

CUSTOMER SUPPORT

For problems with your steamer, please refer to the Troubleshooting Guide located above. Additional inquiries should be directed to our Customer Support services at (800) 711-6617 or (816) 584-9700 ext. 102 or 130, or e-mailed to:

customerservice@topinnovations.com

ONE YEAR LIMITED WARRANTY

(If outside USA, additional shipping charges may apply)

Top Innovations, Inc. warrants this product to be free from defects in material and workmanship for a period of one (1) year from the date of purchase. This warranty does not cover damage caused by misuse, negligence, use by improper current or voltage, use contrary to operating instructions or disassembly, repair or alteration by any person other than Top Innovations, Inc. Warranty Service Department.

Top Innovations, Inc. will repair or replace, at its option. This warranty gives you specific legal rights and may have other rights, which may vary from state to state.

Performance of any obligation under this warranty may be obtained by:

1. Call (800) 711-6617 or (816) 584-9700 for Return Authorization Number before returning for repair. Failure to obtain a Return Authorization Number will cause a delay in warranty and out-of-warranty service requests.
2. Include copy of purchase receipt.
3. Include your name, address, telephone number, and Return Authorization Number on returned package.

Please send product postage-prepaid to:

**TOP INNOVATIONS, INC.
WARRANTY SERVICE DEPARTMENT
400 N.W. PLATTE VALLEY DR.
RIVERSIDE, MO 64150**

Should there be any missing or defective parts or accessories, please contact Customer Support. In most cases, it is not necessary to return the entire unit. We can ship most parts directly to your door.

Upon expiration of 1 year limited warranty, you will be advised of the repair cost before any services are performed. However, you may enclose a note indicating that you would like us to proceed with repairs without first notifying you.

If you have any questions about coverage under this warranty, you may contact the Warranty Service Department by telephone at (800) 711-6617 or (816) 584-9700 ext. 102 or 130, or e-mail customerservice@topinnovations.com.

SteamFast[®]

Top Innovations, Inc.

400 N.W. Platte Valley Dr.

Riverside, MO 64150

Tel: (800) 711-6617

(816) 584-9700

www.topinnovations.com

customerservice@topinnovations.com



Printed in China

Free Manuals Download Website

<http://myh66.com>

<http://usermanuals.us>

<http://www.somanuals.com>

<http://www.4manuals.cc>

<http://www.manual-lib.com>

<http://www.404manual.com>

<http://www.luxmanual.com>

<http://aubethermostatmanual.com>

Golf course search by state

<http://golfingnear.com>

Email search by domain

<http://emailbydomain.com>

Auto manuals search

<http://auto.somanuals.com>

TV manuals search

<http://tv.somanuals.com>