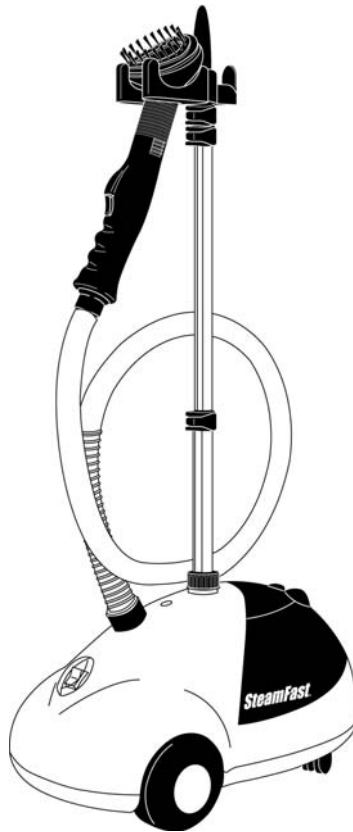


SteamFast

MODEL SF-475

Fabric Steamer



by Top Innovations, Inc.

**Please read all instructions before use.
Mail in your warranty registration card.**

Dear Valued Customer,

Congratulations on purchasing your new **SF-475 Fabric Steamer**. This powerful product is designed to effectively smooth wrinkles and reduce odors with a minimum of time and effort.

Turn your **Fabric Steamer** on, and in minutes you are ready to delicately remove wrinkles from garments, draperies and upholstery. With 1500 Watts of power and a 48 oz. (1420 ml.) maximum water capacity, this **Fabric Steamer** is capable of handling everything from big steaming jobs to quick touch-ups. Steam everything from clothing hung conveniently on the attached Clothes Hanger Hook, to drapes that are still hanging, without the hassle of taking them down! The all-natural, chemical-free wrinkle-removing power of steam, combined with its ability to reduce smoke, pet and other unpleasant odors, means that the **Fabric Steamer** will let you care for your precious fabrics and garments the way you've always wanted to.

Top Innovations, Inc. would like to invite you to visit our Customer Support Web site at:

www.steamfast.com

On this Web site you will find additional information about many other exciting products that are available, helpful tips on ways in which you can utilize your **Fabric Steamer**, and other useful information to assist you in maximizing the power of steam!

Enjoy your new **SF-475 Fabric Steamer**!




Benny Lee
Chairman and CEO
Top Innovations, Inc.



WARNING: To reduce the risk of fire, electrical shock, or injury, the following basic safety precautions should always be followed when using an electrical appliance.

READ ALL INSTRUCTIONS BEFORE USING YOUR FABRIC STEAMER

1. Unit Water Reservoir is designed to hold a maximum of 48 oz. (1420 ml.) of water. Use caution when filling, to avoid burns from spilling water, or possible electrical shock.
2. DO NOT leave your SF-475 Fabric Steamer unattended when plugged in or not in use. Use only for its intended purpose as indicated in this manual.
3.  **This unit is not a toy. Close supervision is required when using unit near children, pets, and plants. Steam produced by unit is hot and pressurized. Care must be taken to avoid burns or other injuries. Never point nozzle at people or pets.**
4. To reduce the risk of contact with hot water emitting from steam vents, hold appliance away from body and check for signs of condensation or leakage.
5. DO NOT use this unit if electrical cord or outlet is damaged. DO NOT use unit if it is not working properly or has been dropped, damaged or left outdoors. If such damage occurs, DO NOT disassemble or attempt repairs, take unit to a qualified service person for examination and repair. Incorrect reassembly or repair could cause a risk of fire, electrical shock, or injury to persons when steamer is used.
6. To reduce risk of electrical shock, DO NOT immerse in water or other liquids. DO NOT use electrical cord or Hose as a handle. DO NOT allow cord or Hose to be crimped by closing it in doors. DO NOT pull or stretch cord or Hose around sharp corners or edges.
7. Before filling unit with water, always unplug power cord from electrical outlet. Failure to do so may result in electrical shock and injury.
8. Do not allow electrical cord to touch hot surfaces. Let appliance cool completely before putting away. Loop cord loosely around appliance when storing.
9. DO NOT use this unit with extension cords or electrical outlets that have inadequate current capacity. A three-prong outlet or a properly grounded adapter is necessary when using SF-475 Fabric Steamer.

SAVE THESE INSTRUCTIONS!
FOR HOUSEHOLD USE ONLY

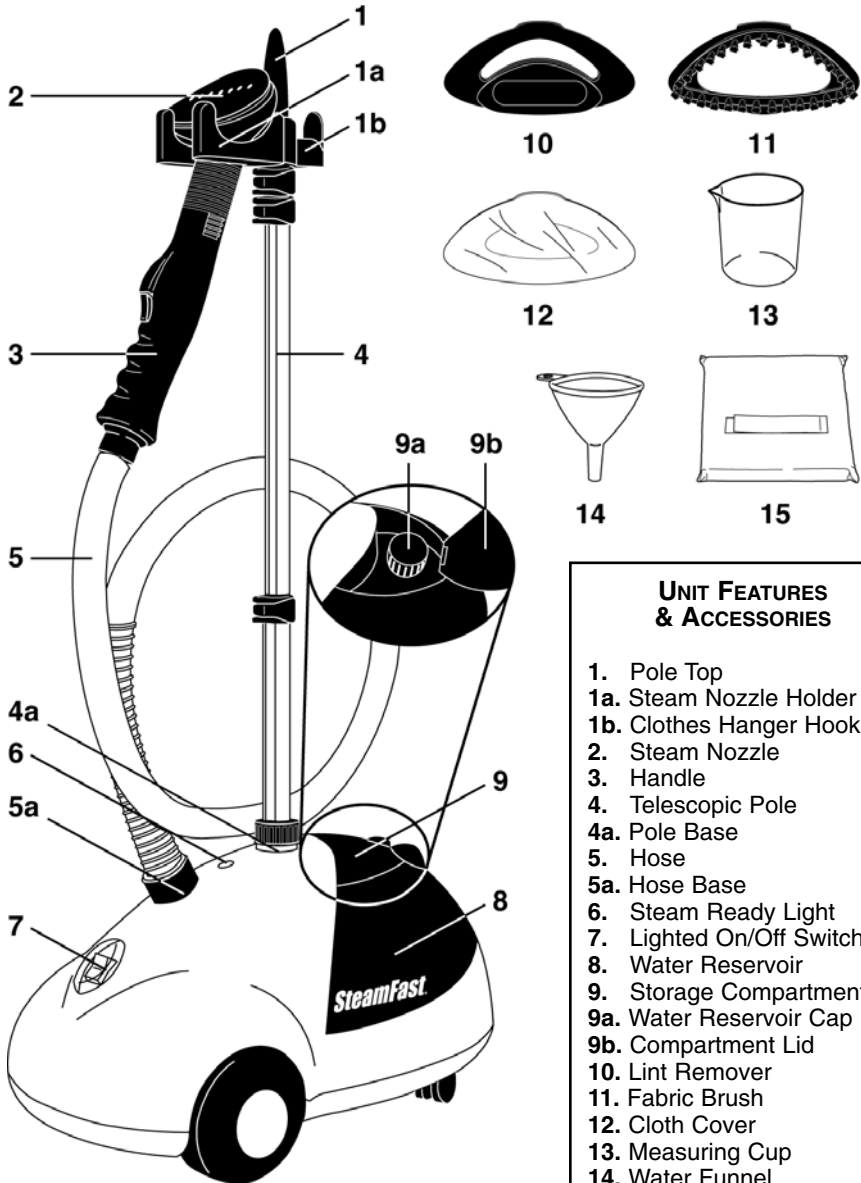


WARNING: To reduce the risk of electrical shock, this appliance has a three-pronged plug. This plug will fit in a polarized wall outlet only one way. If the plug does not fit fully in the outlet, contact a licensed electrician to install a proper outlet. **DO NOT** attempt to modify the plug or defeat this safety feature.

10. In order to unplug SF-475 Fabric Steamer, grasp plug and pull smoothly and firmly from outlet. **DO NOT** attempt to unplug unit by pulling or tugging on cord.
11. Always keep Steam Nozzle elevated above Water Reservoir. **DO NOT** lay Hose on floor.
12. Use caution, as burns could occur from touching hot metal parts, hot water or steam.
13. SF-475 Fabric Steamer is only meant to be used with recommended SF-475 accessories. Other types of attachments are not to be used with Fabric Steamer. Doing so may cause injuries or damage to unit.
14. Nozzle and attachments become hot during use. To avoid injuries, **DO NOT** touch nozzle while using this appliance. **DO NOT** attempt to change attachments while unit is emitting steam.
15. When filling your Fabric Steamer, only water should be used in unit. Other cleaning agents will damage unit and can cause injuries.
16. **DO NOT** operate unit if steam opening is blocked. Should this occur, immediately cease usage and unplug from electrical outlet.
17. Store your SF-475 Fabric Steamer in a cool, dry place.

SAVE THESE INSTRUCTIONS!
FOR HOUSEHOLD USE ONLY

The following features and accessories are included with your Steam Cleaner. Carefully inspect packaging material as some parts are shipped inside Styrofoam packaging. To obtain possible missing parts, refer to the **Customer Support** section on page 13 of this manual.



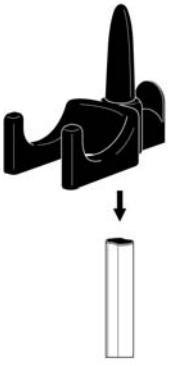
UNIT FEATURES & ACCESSORIES

1. Pole Top
- 1a. Steam Nozzle Holder
- 1b. Clothes Hanger Hook
2. Steam Nozzle
3. Handle
4. Telescopic Pole
- 4a. Pole Base
5. Hose
- 5a. Hose Base
6. Steam Ready Light
7. Lighted On/Off Switch
8. Water Reservoir
9. Storage Compartment
- 9a. Water Reservoir Cap
- 9b. Compartment Lid
10. Lint Remover
11. Fabric Brush
12. Cloth Cover
13. Measuring Cup
14. Water Funnel
15. Press Pad

- The *Pole Top* (1) is comprised of the *Steam Nozzle Holder* (1a) and the *Clothes Hanger Hook* (1b). The *Steam Nozzle Holder* provides a safe and convenient place to hang the *Steam Nozzle*. The *Clothes Hanger Hook* allows you to steam garments that are hanging from a clean, rust-free hanger.
- The *Steam Nozzle* (2) is designed to spread hot, penetrating steam over a wide area.
- The *Handle* (3) is designed to stay relatively cool while providing the optimum amount of safety and user comfort.
- The *Telescopic Pole* (4) connects the *Pole Top* to the steamer and collapses to allow quick, compact storage of the unit. The *Pole Base* (4a) is the mount where the *Telescopic Pole* connects to the main unit body.
- The *Hose* (5) safely channels steam from the boiler to the *Steam Nozzle*. The *Hose Base* (5a) is the mount where the *Hose* connects to the main unit body.
- The *Steam Ready Light* (6) indicates when the unit is ready to steam, by lighting up during heating and turning off when the steam is ready.
- The *Lighted On/Off Switch* (7) turns the unit on and off, and provides a clear visual indication when the steamer is turned on.
- The *Water Reservoir* (8) is where water is stored for use by the unit. There must be a sufficient amount of water (16-48 oz.) in the *Water Reservoir* in order for the unit to properly function.
- The *Storage Compartment* (9) provides a convenient place to store small accessories. The *Water Reservoir Cap* (9a) is located inside the *Storage Compartment*, and must be removed in order to expose the fill hole and fill the *Water Reservoir* with water. The *Compartment Lid* (9b) is a hinged lid that covers the *Storage Compartment* and *Water Reservoir Cap*.
- The *Lint Remover* (10) connects to the *Steam Nozzle* and is designed to assist in removing lint, loose threads and other small particles from fabric.
- The *Fabric Brush* (11) connects to the *Steam Nozzle* and is designed to assist in smoothing out exceptionally stubborn wrinkles.
- The *Cloth Cover* (12) is connects to the *Steam Nozzle*, and is useful for preventing large water droplets from dripping on delicate materials.
- The *Measuring Cup* (13) and *Water Funnel* (14) are provided to assist you in easily and consistently filling the *Water Reservoir* with the optimum amount of water (16-48 oz. / 473-1420 ml.).
- The *Press Pad* (15) fits on your hand, allowing you to support the fabric for a more thorough steaming. The *Press Pad* also protects your hand from being burned by hot steam.

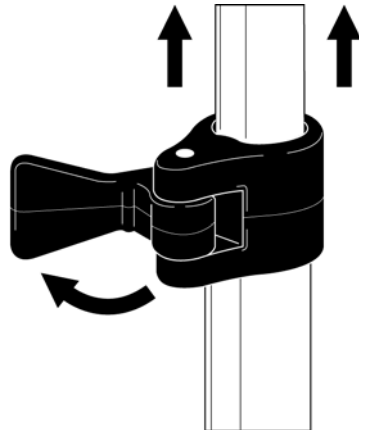
ATTACHING THE TELESCOPIC POLE

1. Attach Pole Top by sliding it onto top of Telescopic Pole as shown (FIGURE 1).
Note that Pole Top must align correctly in two grooves that run the length of pole.
2. Line up grooves of Telescopic Pole with two tabs inside Pole Base hole, and insert bottom section of Pole into Base (FIGURE 2).
3. Tighten knob by turning it in a clockwise direction until it is tight, and Telescopic Pole sits firmly in place in the Pole Base (FIGURE 3).

**FIGURE 1****FIGURE 2****FIGURE 3****EXTENDING TELESCOPIC POLE**

1. Locate bottom extension lock, and swing hinge outward as shown (FIGURE 4).
Extend middle section of Telescopic Pole as far upward as it will go, then close hinge to relock bottom extension lock.
2. Repeat Step 1 for remaining two extension locks, until Telescopic Pole is extended to it's full height.

NOTE: It is recommended to extend Telescopic Pole to it's full height during steamer operation. This ensures full extension of Steam Hose for maximum flow of steam.

**FIGURE 4**

CONNECTING HOSE

1. Slide Hose fitting onto threaded Hose Base (FIGURE 5)
2. Turn Hose fitting clockwise to secure it to Hose Base (FIGURE 6).

NOTE: Hand-tighten Hose fitting only. Do not over-tighten.

3. Hang Steam Nozzle on specially designed Steam Nozzle Holder as shown (FIGURE 7).

CAUTION: To prevent steam from causing bodily injury or damage to surfaces, always hang Steam Nozzle on Steam Nozzle Holder when not in use. Do not lay Hose on floor as condensation may build up inside, causing unwanted water droplets in steam.

CAUTION: Pulling on Hose with excessive force may damage it, resulting in a steam leak.



FIGURE 5



FIGURE 6

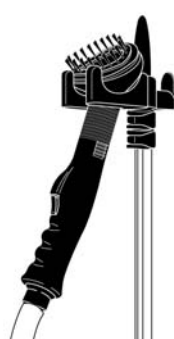


FIGURE 7

ATTACHING LINT REMOVER / FABRIC BRUSH / CLOTH COVER

1. Make sure Lighted On/Off Switch is set to “Off” position, and that unit is not emitting any steam. Do not try to connect Lint Remover, Fabric Brush or Cloth Cover while unit is emitting steam, as this can cause burns and injury.
2. Align two pegs on back of accessory with corresponding holes on face of Steam Nozzle. Use care to properly align attachment as shown (FIGURE 8), so as not to cover up steam holes on nozzle face.
3. Press accessory firmly onto Steam Nozzle, until it fits securely in place.



FIGURE 8

FILLING WATER RESERVOIR WITH WATER

1. Place Fabric Steamer on a flat, level surface.
2. Make sure Lighted On/Off Switch is set to “Off” position and grounded power cord is unplugged from electrical outlet.
3. Flip up Compartment Lid. Cautiously unscrew and remove Water Reservoir Cap.
4. Water Reservoir should always be emptied after each use. If it was not emptied after the last use, empty it now. This will prevent over-filling.
5. Fill Measuring Cup to maximum fill line (16 oz. / 473 ml.) with water.

NOTE: To prolong the life of your Fabric Steamer, we recommend using distilled or de-mineralized water.

6. Using Water Funnel, carefully pour water from Measuring Cup into Water Reservoir through fill hole.

WARNING: Extreme caution should be used when pouring water into the Water Reservoir. Do not look directly down into fill hole when filling. Keep your free hand and any children or pets at a safe distance.

7. Depending on how long you intend to steam, you may repeat steps 5 & 6 up to two more times, to a maximum of 48 oz. (1420 ml.) of water. See chart below for a comparison of the amount of water vs. approximate steam time.

Amount of Water	Duration of Steam
16 oz. (473 ml.)	Approximately 15 min.
32 oz. (946 ml.)	Approximately 30 min.
48 oz. (1420 ml.)	Approximately 45 min.

8. Replace Water Reservoir cap, ensuring that it is screwed on tightly to prevent hot steam from escaping and causing injury.
9. Lower Compartment Lid back down.

IMPORTANT: When steamer is first activated, it is natural for it to spray small amounts of water. This is due to condensation forming in the Hose, and will dissipate within 30 seconds of use. To help clear condensation out of Hose more quickly, try the following:

- **Point Steam Nozzle towards ground, sink or tub and shake it to force water out of Hose.**
- **Extend Hose vertically as far as possible to allow water to drain back into Water Reservoir.**

OPERATING THE FABRIC STEAMER

NOTE: Be sure that any desired attachments are connected and Water Reservoir is filled before following these steps.

1. Plug grounded power cord into a convenient 3-prong electrical outlet.
2. Switch Lighted On/Off Switch to "On" position.
3. Steam Ready Light will illuminate while boiler is heating. When Steam Ready Light deactivates (2-8 minutes, depending on amount of water in Water Reservoir) unit will automatically begin emitting steam.
4. Place garment on a clean, rust-free clothes hanger.
5. Place hanger (with garment) on Clothes Hanger Hook (FIGURE 10).

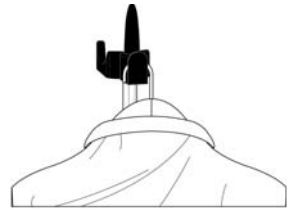


FIGURE 10

CAUTION: Use care when handling garments on the Clothes Hanger Hook. Pulling on the garment with too much force may cause the unit to tip over.

6. Direct Steam Nozzle towards bottom of garment. Steam will rise along inside and outside of fabric, removing wrinkles. Slowly slide Steam Nozzle vertically, from bottom to top of garment (FIGURE 11).



FIGURE 11

NOTE: Do not allow kinks to form in hose at any time during use.

7. Direct Steam Nozzle away from garment and smooth fabric with your free hand.
8. Repeat steps 6 & 7 as necessary until fabric is smooth and wrinkle free.

OTHER STEAMING TIPS

- Curtains and draperies may be steamed while still hanging.
 - To remove wrinkles from towels, handkerchiefs and napkins, drape them over a rod or towel rack and gently steam them.
 - Heavier fabrics may require repeated steaming to effectively remove wrinkles.
 - To remove exceptionally stubborn wrinkles steam both sides of fabric.
 - For additional assistance in removing tough wrinkles, or to remove lint and other particles, attach Fabric Brush or Lint Remover to Steam Nozzle (see **Attaching Lint Remover and Fabric Brush** section on page 8 of this manual).
 - Use Press Pad in order to steam difficult spots and edges and to create creases in fabric. Slide your hand through the velcro strap on back of Press Pad to secure it to your hand. This will protect your hand from the flow of hot steam. Then steam fabric while pressing it firmly but gently against the Press Pad.
9. When you have completed your steaming tasks, immediately switch Lighted On/Off Switch to "Off" position and unplug power cord from electrical outlet. Refer to **Proper Storage** section on page 11 of this manual for information on proper cleaning and storage of Fabric Steamer.

PROPER STORAGE

Preparing your Fabric Steamer for storage is quick and simple. When you have finished your steaming tasks, follow the steps listed below.

1. Unplug grounded power cord from electrical outlet.
2. Allow unit to cool completely (at least 30 minutes).
3. Remove all attachments from unit.
4. Drain any remaining water in Water Reservoir into a sink or tub to prevent over-filling during your next use.
5. Unhook three extension locks on Telescopic Pole, and press down on Pole Top to collapse Pole into compact storage position. Re-lock extension locks.
6. Wrap Hose loosely around Telescopic Pole one time, and hang Steam Nozzle from Steam Nozzle Holder.
7. Store all attachments safely away, preferably inside Storage Compartment or near Fabric Steamer.
8. Store Fabric Steamer in a cool, dry location.

REMOVING MINERAL BUILD-UP

A common problem with steam appliances is mineral build-up caused by high mineral content in many municipal water supplies. **The best way to avoid this is to use de-mineralized or distilled water in unit.** If you are unable to use de-mineralized or distilled water, we recommend you use this procedure monthly to help avoid mineral build-up:

1. Switch Lighted On/Off Switch to “Off” position and unplug grounded power cord from electrical outlet. Allow unit to completely cool.
2. Remove all accessories from unit.
3. Flip up Compartment Lid and remove Water Reservoir Cap.
4. Drain water from Water Reservoir into sink or tub.
5. Using Measuring Cup, make a mixture of 8 oz. (236 ml.) vinegar and 8 oz. (236 ml.) water.
6. Slowly pour water-vinegar solution into Water Reservoir.
7. Allow to stand for 40 minutes.
8. Drain water-vinegar solution from Water Reservoir.
9. Rinse Water Reservoir with fresh water, drain and repeat until vinegar odor dissipates.
10. Replace Water Reservoir Cap and lower Compartment Lid back down.

PROBLEM	POSSIBLE CAUSE	SOLUTION
Unit fails to steam. Lighted On/Off Switch does not illuminate.	Unit is not plugged in.	Plug into electrical outlet.
	Household Circuit Breaker / Ground Fault Interrupter has tripped or blown a fuse.	Reset Circuit Breaker / Ground Fault Interrupter, or replace fuse. If you need assistance, contact a licensed electrician.
Unit fails to steam. Lighted On/Off Switch does illuminate.	Water Reservoir is empty.	Refill Water Reservoir using procedures on page 9 of this manual.
	Mineral build-up in unit.	Follow Removing Mineral Build-Up procedure on page 11 of this manual.
Steam output is intermittent.	Mineral build-up in unit.	It is normal for unit to periodically stop steaming for a few seconds. If steam stays off for longer periods, follow Removing Mineral Build-Up procedure on page 11 of this manual.
Unit is emitting excess water.	Water condensation in Steam Hose.	Point Steam Nozzle towards sink, tub or ground and shake. Continue until excess water is released.
	Water Reservoir has been over-filled.	Empty some water out of Water Reservoir.
	Unit has not reached operating temperature.	Wait until Steam Ready Light deactivates to steam.
Excessive gurgling in Hose and Steam Nozzle / water drips from Steam Nozzle.	Condensation in Steam Hose.	Some gurgling is a natural effect of steaming process. For excessive gurgling or dripping water, extend Hose vertically to allow water to drain back into Water Reservoir.

PROBLEM	POSSIBLE CAUSE	SOLUTION
Water spills out from Water Reservoir fill hole when adding water.	Water Reservoir is already full.	Do not try to add any more water.
	Water Reservoir is too hot to be refilled.	Allow more cooling time before refilling. Fill Water Reservoir more slowly. Be sure to utilize the provided Measuring Cup and Water Funnel to refill the unit.
Accessories do not stay firmly attached to Steam Nozzle.	Accessories are not being properly installed.	Review steps for proper installation of accessories on page 7 of this manual. Check to ensure that accessories are installed correctly.
	Accessories or Steam Nozzle is damaged or otherwise incorrect.	Contact our Customer Service Department for assistance.

CUSTOMER SUPPORT

For problems with your Fabric Steamer, please refer to the troubleshooting solutions located on pages 12 & 13 of this manual. Additional inquiries should be directed to our Customer Support services through our Web site, www.steamfast.com, on the Service Request Web page.

If you do not have internet access, you may also contact our Customer Support Department by telephone, at (800) 711-6617 or (816) 584-9700.

NOTE: In order for our customer service representatives to help you as quickly and efficiently as possible, please have the following information ready before calling:

- Purchase information (where and when you purchased this product)
- Product Serial Number

ACCESSORY ORDER FORM

PART	PART DESCRIPTION	PRICE	QTY.	TOTAL
A420-001	Fabric Brush	\$6.99		
A420-002	Lint Remover	\$6.99		
A420-003	Extension Wand	\$6.99		
A275-003	Measuring Cup	\$2.99		
A275-004	Water Funnel	\$4.99		
A400-010	Press Pad	\$4.99		
A475-K1	SF-475 Accessory Kit - A special value of only \$49.99 (+ \$7.99 S&H) Transforms the SF-475 from a garment steamer into a powerful steam cleaner Includes: • 1 72" Steam Cleaning Hose • 1 Steam Jet Nozzle • 5 Assorted Utility Brushes • 1 Floor Brush • 1 Brass Utility Brush • 1 Cloth Towel • 2 Extension Wands • 1 Scrub Pad • 1 Triangle Brush • 1 Squeegee			
			SUBTOTAL	
			+ SHIPPING AND HANDLING	\$3.99 (\$7.99 for A475-K1)
			TOTAL USD	

Note that \$3.99 S&H applies to the A420-001, A420-002, A420-003, A275-003, A275-004 and A400-010. \$7.99 S&H applies only to A475-K1. These charges apply to shipping in the continental United States only.

METHOD OF PAYMENT (no C.O.D. orders)

Check or Money Order (payable to Top Innovations)

Charge to my: VISA MASTERCARD

--	--	--	--	--	--	--	--	--	--	--

ACCOUNT NUMBER

--	--	--	--

EXPIRATION DATE

TO ORDER:

ONLINE
Visit www.steamfast.com

BY MAIL
Fill out this form and return to:
Top Innovations, Inc.
6655 Troost Ave.
Kansas City, MO 64131

BY PHONE
(800) 711-6617 or
(816) 584-9700

BY FAX
(816) 584-9066

NAME (PRINTED): _____

MAILING ADDRESS: _____

TELEPHONE: _____

SIGNATURE: _____

(Full Name as Shown on Account)

PRODUCT SERIAL NUMBER: _____ - _____

(Serial Number is Required to Process Order)

ONE YEAR LIMITED WARRANTY

(If outside USA, additional shipping charges may apply)

Top Innovations, Inc. warrants this product to be free from defects in material and workmanship for a period of one (1) year from the date of purchase. This warranty does not cover damage caused by misuse, negligence, use by improper current or voltage, commercial use, use contrary to operating instructions or disassembly, repair or alteration by any person other than Top Innovations, Inc. Warranty Service Department.

Top Innovations, Inc. will repair or replace, at its option. This warranty gives you specific legal rights and may have other rights, which may vary from state to state.

Performance of any obligation under this warranty may be obtained by:

1. Call (800) 711-6617 for Return Authorization Number before returning for repair. Failure to obtain a Return Authorization Number will cause a delay in warranty and out-of-warranty service requests.
2. Include copy of purchase receipt.
3. Include your name, address, telephone number, and Return Authorization Number on returned package.

Please send product postage-prepaid to:

**TOP INNOVATIONS, INC.
WARRANTY SERVICE DEPARTMENT
6655 TROOST AVE.
KANSAS CITY, MO 64131**

Should there be any missing or defective parts or accessories, please contact Customer Support. In most cases, it is not necessary to return the entire unit. We can ship most parts directly to your door.

Upon expiration of 1 year limited warranty, you will be advised of the cost of repair before any servicing is done, unless you enclose a note indicating that you would like us to proceed with repairs.

If you need to request warranty service, or have any questions about coverage under this warranty, please visit the Warranty Service Request page on our Web site www.steamfast.com. You may also contact the Warranty Service Department by telephone at (800) 711-6617 or (816) 584-9700, or e-mail customerservice@topinnovations.com.

Please have your product serial number ready before contacting Warranty Service Department. The serial number is located on the back or bottom of your unit.

SteamFast[®]

Top Innovations, Inc.

6655 Troost Ave.

Kansas City, MO 64131

Tel: (800) 711-6617

(816) 584-9700

www.steamfast.com

customerservice@topinnovations.com



Printed in China

PRODUCT SERIAL NUMBER

For your convenience, space has been provided below for you to record the serial number of your unit (located on the back or bottom of the unit) for easy reference when contacting our Customer Service Department.

_____ - _____

Free Manuals Download Website

<http://myh66.com>

<http://usermanuals.us>

<http://www.somanuals.com>

<http://www.4manuals.cc>

<http://www.manual-lib.com>

<http://www.404manual.com>

<http://www.luxmanual.com>

<http://aubethermostatmanual.com>

Golf course search by state

<http://golfingnear.com>

Email search by domain

<http://emailbydomain.com>

Auto manuals search

<http://auto.somanuals.com>

TV manuals search

<http://tv.somanuals.com>