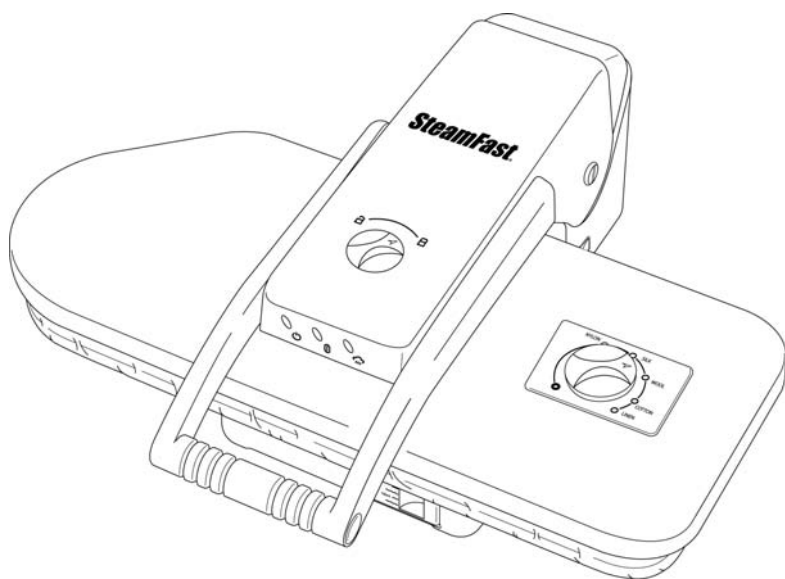


**SteamFast**

MODEL SP-660

## Fabric Steam Press



by Top Innovations, Inc.

**Please read all instructions before use.  
Mail in your warranty registration card.**

**Dear Valued Customer,**

Congratulations on purchasing your new **SP-660 Fabric Steam Press**. This powerful product is designed to give your garments a professional, wrinkle-free, pressed look without the hassle of using a conventional iron.

Turn on your **Fabric Steam Press** and in minutes you are ready to delicately remove wrinkles from garments, and restore crisp, long-lasting creases. With a pressing surface that is up to seven times larger than most hand-held irons, the **Fabric Steam Press** can reduce your ironing time by up to 50%, giving you more free time to do the things that really matter to you. When you combine this with features like multiple dry and steam settings, a powerful steam burst function, variable temperature control, and an automatic shut-off safety system, you will find that the **Fabric Steam Press** is capable of doing everything you need, and much, much more.

Top Innovations, Inc. would like to invite you to take advantage of our Customer Support Web site at:

**[www.steamfast.com](http://www.steamfast.com)**

On this Web site you will find additional information about many other exciting products that are available, helpful tips on ways in which you can utilize your **Fabric Steam Press**, and other useful information to assist you in maximizing the power of steam!

Enjoy your new **SP-660 Fabric Steam Press!**




Benny Lee  
Chairman and CEO  
Top Innovations, Inc.



**WARNING:** To reduce the risk of fire, electrical shock, or injury, the following basic safety precautions should always be followed when using an electrical appliance.

### **READ ALL INSTRUCTIONS BEFORE USING YOUR STEAM PRESS**

1. DO NOT leave your SP-660 Fabric Steam Press unattended when plugged in or not in use.
2.  **This unit is not a toy. Close supervision is required when using unit near children, pets, and plants. Unit produces steam that is hot and pressurized. Care must be taken to avoid burns or other injuries.**
3. Always unplug electrical cord when unit is not in use. DO NOT use this unit if electrical cord or outlet is damaged. DO NOT use unit if it is not working properly or has been dropped, damaged, or left outdoors. If such damage occurs, return unit to a licensed service technician for repairs.
4. This unit is an electrical appliance. DO NOT submerge it in water. DO NOT use electrical cord as a handle. DO NOT allow cord to be crimped by closing it in doors. DO NOT pull or stretch cord around sharp corners or edges. Be sure to keep electrical cord away from all heated surfaces.
5. DO NOT use this unit with extension cords or electrical outlets that have inadequate current capacity. A three-prong outlet or a properly grounded adapter is necessary when using SP-660 Fabric Steam Press.
6. In order to unplug SP-660 Fabric Steam Press, grasp plug and pull smoothly and firmly from outlet. DO NOT attempt to unplug unit by pulling or tugging on cord.
7. Use caution when operating unit, as burns can occur from touching hot metal parts, or from close proximity to steam.

**SAVE THESE INSTRUCTIONS!**  
**FOR HOUSEHOLD USE ONLY**



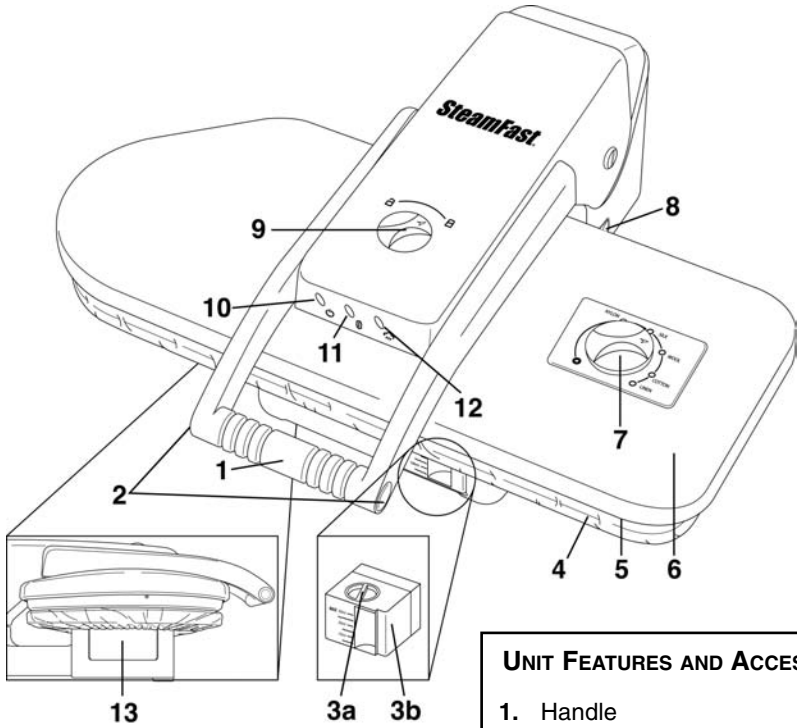
**WARNING:** To reduce the risk of electrical shock, this appliance has a three-pronged plug. This plug will fit in a polarized wall outlet only one way. If the plug does not fit fully in the outlet, contact a licensed electrician to install a proper outlet. **DO NOT** attempt to modify the plug or defeat this safety feature.

8. **DO NOT** handle or use this unit while hands are wet or when not wearing shoes. To avoid falls and other injuries, be sure to dry any wet areas on floors and to stand away from damp surfaces while using steam press.
9. SP-660 Fabric Steam Press is only meant to be used with recommended SP-660 accessories. Other types of accessories are not to be used with Fabric Steam Press. Doing so may cause injuries or damage to unit.
10. Surfaces become hot during use. To avoid injuries, **DO NOT** touch Pressing Plate or any other surface while using this appliance. **DO NOT** place arms or hands between Pressing Plate and Ironing Board while unit is in operation.
11. When filling your Fabric Steam Press with distilled water, **DO NOT** fill Water Reservoir past MAX (300 ml.) line.
12. Before filling unit with water, always take the following steps:
  - (1) Turn appliance off
  - (2) Unplug electrical cordFailure to follow these steps may result in electrical shock and injury.
13. Only water should be used in unit. Other chemical agents will damage unit and can cause injuries.
14. **DO NOT** operate units steam burst function if steam openings are blocked. Should this occur, shut unit off and unplug.
15. Store your SP-660 Fabric Steam Press in a cool, dry place. Always allow unit to cool completely before storing.

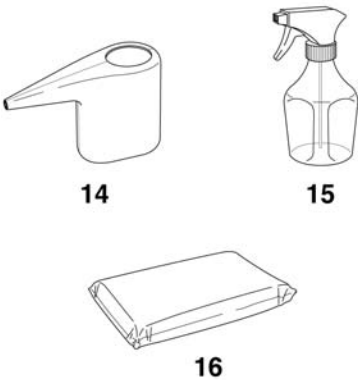
**SAVE THESE INSTRUCTIONS!**  
**FOR HOUSEHOLD USE ONLY**

## FABRIC STEAM PRESS PRODUCT INFORMATION

The following features and accessories are included with your steam press. Carefully inspect packaging material as some parts are shipped inside Styrofoam packaging. To obtain possible missing parts, refer to the **Customer Support** section on page 10 of this manual.



- UNIT FEATURES AND ACCESSORIES**
1. Handle
  2. Steam Burst Buttons
  - 3a. Water Reservoir Cap
  - 3b. Water Reservoir
  4. Ironing Board
  5. Pressing Plate
  6. Pressing Plate Cover
  7. Temperature Control Dial
  8. On/Off Switch
  9. Locking Knob
  10. Power Indicator Light (Red)
  11. Pressing Indicator Light (Green)
  12. Steam Burst Ready Indicator Light (Yellow)
  13. Cord Storage Compartment



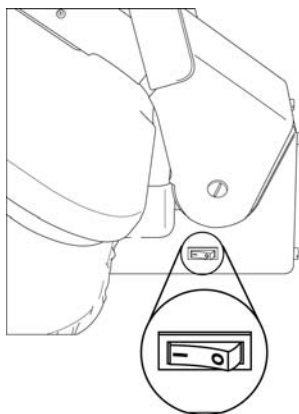
- The *Handle* (1) is used to safely lift up and lower the *Pressing Plate*, and carry the unit.
- The *Steam Burst Buttons* (2) are located on either side of the *Handle*, and produce a powerful burst of steam when pressed.
- The *Water Reservoir Cap* (3a) covers the *Water Reservoir* fill hole and must be removed in order to fill the *Water Reservoir* with distilled water.
- The *Water Reservoir* (3b) is the tank in which distilled water is stored for use by the unit. There must be water in the *Water Reservoir* in order for the units steam burst function to work correctly.
- The *Ironing Board* (4) is the padded surface onto which fabric is placed during pressing. The fabric cover is removable and can be washed.
- The *Pressing Plate* (5) is the large temperature-controlled surface that heats and presses fabric.
- The *Pressing Plate Cover* (6) is the durable cover that protects the *Pressing Plate*.
- The *Temperature Control Dial* (7) is used to select a desired temperature, by turning it to the fabric setting that matches the material that you are pressing.
- The *On/Off Switch* (8) activates and deactivates the unit.
- The *Locking Knob* (9) locks the *Pressing Plate* and *Ironing Board* together. This allows for carrying and storage of the unit.
- The *Power Indicator Light (Red)* (10) illuminates when the *On/Off Switch* is set to the “On” position, providing you with a clear visual indication that the unit is powered on.
- The *Pressing Indicator Light (Green)* (11) illuminates while the unit is heating to the selected temperature. When deactivated, this indicates that you are ready to press.
- The *Steam Burst Ready Indicator Light (Yellow)* (12) illuminates once the unit is ready to produce bursts of steam, providing you with a clear visual indication that you can begin using the *Steam Burst Buttons*.
- The *Cord Storage Compartment* (13) provides a convenient and easily accessible place to store the power cord.
- The *Measuring Cup* (14) is designed to assist you in easily filling the *Water Reservoir* with distilled water.
- The *Spray Bottle* (15) allows you to moisten fabrics before pressing, which helps to make the pressing process easier and more effective in certain instances.
- The *Pressing Cushion* (16) is a fabric-covered pad used for pressing gathered or contoured areas such as sleeves, darts, or yokes.

## FILLING WATER RESERVOIR

1. Place Fabric Steam Press on a flat, level surface.
2. Turn Locking Knob to “Unlock” position to unlock Pressing Plate.
3. Lift up Pressing Plate using Handle. It will automatically stay in lifted position.
4. Pull Water Reservoir out. Note that Water Reservoir cannot be completely removed from unit; do not attempt to force it free.
5. Remove Water Reservoir Cap to expose Water Reservoir fill hole.
6. Using Measuring Cup (included), fill Water Reservoir up to the MAX (300 ml.) line with distilled water.
7. Replace Water Reservoir Cap and push filled Water Reservoir back into main unit.

## OPERATING FABRIC STEAM PRESS

1. With Pressing Plate in lifted position, plug power cord into electrical outlet, and set On/Off Switch to “On” (I) position (FIGURE 1).
2. Identify type of fabric you are going to press, and select corresponding temperature setting using Temperature Control Dial. Note that it is best to start with the most delicate fabrics first, as higher levels of heat will cause damage to Nylon and Silk. Pressing Indicator Light will illuminate.
3. A few minutes of heating time will be required to reach selected temperature. Once Pressing Plate is heated, Pressing Indicator Light will deactivate. You are now ready to begin pressing.
4. Lay fabric flat on Ironing Board.
5. If pressing wool, you may choose to spray with a burst of steam. This function is available once Steam Burst Ready Indicator Light illuminates.



**FIGURE 1**

**NOTE: Do not activate burst of steam with unit completely closed, as this may damage unit. Best results are obtained if Pressing Plate is held open approximately 75 mm. above Ironing Board before pressing Steam Burst Button. For safety reasons, do not hold Pressing Plate open more than 75 mm. when using steam burst function.**

6. To press, lower Pressing Plate gently onto fabric and Ironing Board. Hold there for 8-10 seconds, then lift up Pressing Plate. Repeat until you have achieved desired crease and smoothness. See page 8 of this manual for more specific pressing tips.
7. Once pressing tasks are complete, immediately set On/Off Switch to “Off” (O) position and unplug grounded power cord from electrical outlet. Refer to page 9 of this manual for further information about cleaning and storage of Fabric Steam Press.

## **STEAM BURST**

1. Hold Pressing Plate approximately 75 mm. above Ironing Board.
2. Press Steam Burst Button to release a burst of steam onto fabric.
3. Lower Pressing Plate onto fabric, then raise once again.
4. Repeat steps 1-3 above until fabric is smooth and wrinkle-free.

## **PRESSING AND STEAMING TIPS**

### **Pressing Shirts and Blouses**

1. Place shoulder yoke on Ironing Board first and press.
2. Next, place sleeves onto Ironing Board with fold parallel to long seam and press.
3. Place cuffs onto end of Ironing Board and press.
4. Place bottom of shirt behind Ironing Board. Begin by pressing the side with pocket. Pull shirt towards you as you press each section.
5. Finish by pressing collar of shirt.

### **Pressing Pants**

1. Place Pressing Cushion under waistband and press, repositioning waistband until completely pressed.
2. To press inseam, place Pressing Cushion under area to be pressed.
3. Place pleated area on Ironing Board. Carefully fold pleats and press.
4. Embroidery should be placed face down on Ironing Board to reduce wear and prevent damage to delicate areas.

### **Other Techniques**

- Placing Pressing Cushion between fabric and Pressing Plate may help with delicate fabrics.
- Buttons and zippers: if you have older types of buttons or zippers, you may need to take special care to avoid melting. In order to do so, place garment face-down and cover with Pressing Cushion before pressing.
- Spray Bottle may be used to spray fabrics lightly. This will further help to remove exceptionally stubborn wrinkles.
- Place a damp cloth over fabric before pressing, which will help with stubborn wrinkles or heavy gauge fabrics.
- To press large pieces of fabric, place entire piece behind Ironing Board. Pull fabric towards you, over Ironing Board, and lower Pressing Plate. Press fabric in sections until completed.



## **AUTO SHUT-OFF**

The Auto Shut-Off feature of the Fabric Steam Press includes both an Auto Shut-Off and an Auto Wake-Up. These multiple function safety features deactivate electrical power to the heater when the Pressing Plate has been left in closed position against the Ironing Board for more than 10 seconds. Heater deactivation is signaled by a beeping sound. Heater functionality is restored when the Pressing Plate is lifted back up.

Power to the heater will also be cut if the Pressing Plate is left in the lifted position without use for approximately 15 minutes (signaled by a continuous beeping sound). The heating ability of the unit can be restored either by resetting the On/Off Switch, or by lowering and then raising the Pressing Plate.

**IMPORTANT: Auto Shut-Off does not mean that power to the unit is totally cut off. Power is always on, and the Power Indicator Light will remain illuminated until On/Off Switch is set to “Off” (O) position (FIGURE 1, page 7).**

## **CLEANING THE FABRIC STEAM PRESS**

1. Fill Water Reservoir with water using procedure on page 7 of this manual.
2. Place Pressing Cushion in the middle of Ironing Board.
3. Place a clean towel over Pressing Cushion and Ironing Board.
4. Set Temperature Control Dial to the highest setting (LINEN).
5. When Steam Burst Ready Indicator Light illuminates, lower Pressing Plate onto Pressing Cushion.
6. Press Steam Burst Button six times.
7. Allow Pressing Plate to cool.
8. Clean Pressing Plate with damp cloth. Do not use abrasive materials, as this may damage Pressing Plate.
9. Ironing Board fabric cover is removable for cleaning. Hand wash only with mild detergent.

## **PROPER STORAGE**

1. Once pressing is complete, immediately turn unit off and unplug power cord from electrical outlet.
2. Allow unit to cool completely (at least 30 minutes).
3. Lower Pressing Plate down, and turn Locking Knob to “Lock” position.
4. Wrap up power cord and place in Cord Storage Compartment.
5. Store all accessories safely away, preferably near Fabric Steam Press.
6. Store Fabric Steam Press in a cool, dry place.

PROBLEM	POSSIBLE CAUSE	SOLUTION
Unit fails to heat up and steam. Power Indicator Light <b>does not</b> illuminate.	Unit is not plugged in.	Plug into electrical outlet.
	Household Circuit Breaker / Ground Fault Interrupter has tripped or blown a fuse.	Reset Circuit Breaker / Ground Fault Interrupter, or replace fuse. If you need assistance, contact a licensed electrician.
Unit fails to heat up and steam. Power Indicator Light <b>does</b> illuminate.	Auto Shut-Off has engaged.	Refer to <b>Auto Shut-Off</b> section on page 9 of this manual for proper procedure.
	Water Reservoir is empty.	Refill Water Reservoir using procedures on page 7 of this manual.
	Unit is damaged or malfunctioning.	Immediately cease usage and contact our Customer Support department.
Steam Burst output is weak or intermittent.	Pressing Plate needs to be cleaned.	Refer to <b>Cleaning the Fabric Steam Press</b> section on page 9 of this manual for proper procedure.

### CUSTOMER SUPPORT

For problems with your Steame Press, please refer to the troubleshooting solutions located above. Additional inquiries should be directed to our Customer Support services through our Web site, [www.steamfast.com](http://www.steamfast.com), on the Service Request Web page.

If you do not have internet access, you may also contact our Customer Support Department by telephone, at (800) 711-6617 or (816) 584-9700.

**NOTE: In order for our customer service representatives to help you as quickly and efficiently as possible, please have the following information ready before calling:**

- Purchase information (where and when you purchased this product)
- Product Serial Number

**ONE YEAR LIMITED WARRANTY**

(If outside USA, additional shipping charges may apply)

Top Innovations, Inc. warrants this product to be free from defects in material and workmanship for a period of one (1) year from the date of purchase. This warranty does not cover damage caused by misuse, negligence, use by improper current or voltage, commercial use, use contrary to operating instructions or disassembly, repair or alteration by any person other than Top Innovations, Inc. Warranty Service Department.

Top Innovations, Inc. will repair or replace, at its option. This warranty gives you specific legal rights and may have other rights, which may vary from state to state.

Performance of any obligation under this warranty may be obtained by:

1. Call (800) 711-6617 for Return Authorization Number before returning for repair. Failure to obtain a Return Authorization Number will cause a delay in warranty and out-of-warranty service requests.
2. Include copy of purchase receipt.
3. Include your name, address, telephone number, and Return Authorization Number on returned package.

Please send product postage-prepaid to:

**TOP INNOVATIONS, INC.  
WARRANTY SERVICE DEPARTMENT  
6655 TROOST AVE.  
KANSAS CITY, MO 64131**

Should there be any missing or defective parts or accessories, please contact Customer Support. In most cases, it is not necessary to return the entire unit. We can ship most parts directly to your door.

Upon expiration of 1 year limited warranty, you will be advised of the cost of repair before any servicing is done, unless you enclose a note indicating that you would like us to proceed with repairs.

If you need to request warranty service, or have any questions about coverage under this warranty, please visit the Warranty Service Request page on our Web site [www.steamfast.com](http://www.steamfast.com). You may also contact the Warranty Service Department by telephone at (800) 711-6617 or (816) 584-9700, or e-mail [customerservice@topinnovations.com](mailto:customerservice@topinnovations.com).

**Please have your product serial number ready before contacting Warranty Service Department. The serial number is located on the back or bottom of your unit.**

# ***SteamFast***<sup>®</sup>

## **Top Innovations, Inc.**

6655 Troost Ave.

Kansas City, MO 64131

Tel: (800) 711-6617

(816) 584-9700

**www.steamfast.com**

customerservice@topinnovations.com



Printed in China

### **PRODUCT SERIAL NUMBER**

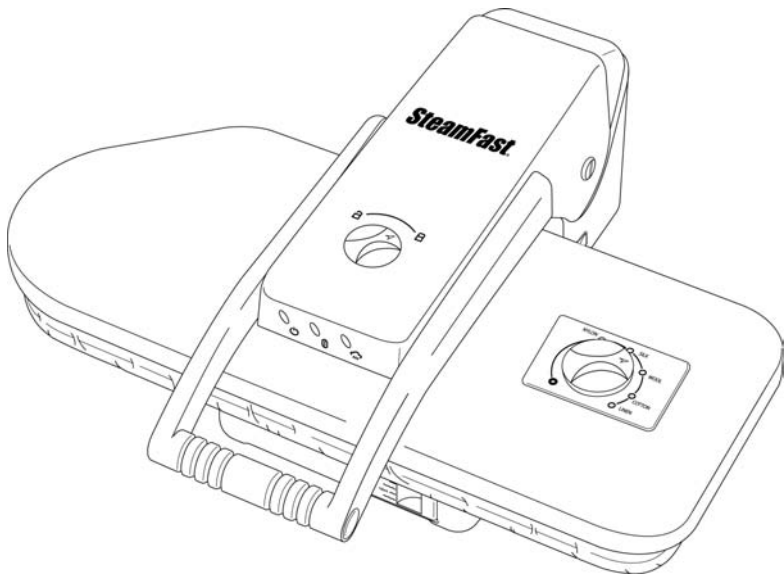
For your convenience, space has been provided below for you to record the serial number of your unit (located on the back or bottom of the unit) for easy reference when contacting our Customer Service Department.

\_\_\_\_\_ - \_\_\_\_\_

MODELO SP-660

**SteamFast**

## Plancha a Vapor para Telas



por Top Innovations, Inc.

**Por favor lea todas las instrucciones antes de usarse.  
Envíe por correo su tarjeta de registraci3n de garantía.**

**Estimado Valioso Cliente,**

Felicitaciones por adquirir su nueva **Plancha a Vapor para Tela SP-660**. Este poderoso producto está diseñado para darle a sus prendas una apariencia profesional, libre de arrugas y planchada, sin los inconvenientes de usar una plancha convencional.

Encienda su **Plancha a vapor para Tela** y en minutos estará listo para delicadamente retirar arrugas de las prendas y reestablecer los perfectos y duraderos pliegues. Con una superficie de planchado que es hasta siete veces más grande que la de muchas planchas manuales, la **Plancha a Vapor para Tela** podrá reducir su tiempo de planchado hasta en un 50% dándole más tiempo libre para hacer las cosas que realmente le interesan. Cuando usted combina esto con características como configuraciones múltiples de secado y vapor, una función de potente vapor a chorro, control de temperatura variable y un sistema de seguridad de auto apagado, hallará que la **Plancha a Vapor para Tela** es capaz de hacer todo lo que usted necesita, y mucho más.

Top Innovations, Inc., quiere invitarle a aprovechar nuestro sitio Web de Atención al cliente en:

**[www.steamfast.com](http://www.steamfast.com)**

¡En este sitio Web encontrará información adicional acerca de muchos otros emocionantes productos que tenemos disponibles, consejos útiles sobre cómo utilizar su **Plancha a Vapor para Tela**, y otra información útil para ayudarlo a maximizar la potencia del vapor!

¡Disfrute de su nueva **Plancha a Vapor para Tela SP-660!**




Benny Lee  
Presidente y CEO  
Top Innovations, Inc..



**AVISO:** Para reducir el riesgo de fuego, choques eléctricos o daños, debe de siempre seguir las siguientes precauciones básicas de seguridad cuando esté usando un aparato eléctrico.

**LEA TODAS LAS INSTRUCCIONES ANTES DE USAR SU  
PLANCHA A VAPOR**

1. NO deje su Plancha a Vapor para Tela SP-660 desatendida cuando esté enchufada y no en uso.
2.  **Esta unidad no es un juguete. Se requiere constante supervisión cuando use la unidad cerca de niños, mascotas y plantas. La unidad produce vapor que está caliente y presurizado. Tenga cuidado para evitar quemaduras u otras heridas.**
3. Siempre desconecte el cable eléctrico cuando la unidad no esté en uso. NO use esta unidad si el cable eléctrico o el tomacorriente están dañados. NO use la unidad si no está funcionando adecuadamente o se ha caído, dañado o dejado a la intemperie. Si dicho daño ocurre, devuelva la unidad a un técnico de servicio licenciado para ser reparada.
4. Esta unidad es un aparato eléctrico. NO la sumerja en agua. NO use el cable eléctrico como asa. NO permita que el cable se doble atrapándolo con las puertas. NO hale o estire el cable en las esquinas o bordes con filo. Asegúrese de mantener el cable eléctrico lejos de las superficies calientes.
5. NO use esta unidad con extensiones o en tomacorrientes que no tienen la capacidad de corriente adecuada. Se necesita un tomacorriente de tres puntas o un adaptador con conexión a tierra cuando use la Plancha de Vapor para Tela SP-660.
6. Para desconectar la Plancha de Vapor para Tela SP-660, agarre el enchufe y hálelo firmemente hasta que salga del tomacorriente. NO intente desconectar la unidad halando o tirando del cable.
7. Tenga cuidado cuando opere la unidad, ya que pueden ocurrir quemaduras si toca las partes metálicas o por cercanía al vapor.

**¡GUARDE ESTAS INSTRUCCIONES!**  
**PARA USO DOMÉSTICO SOLAMENTE**



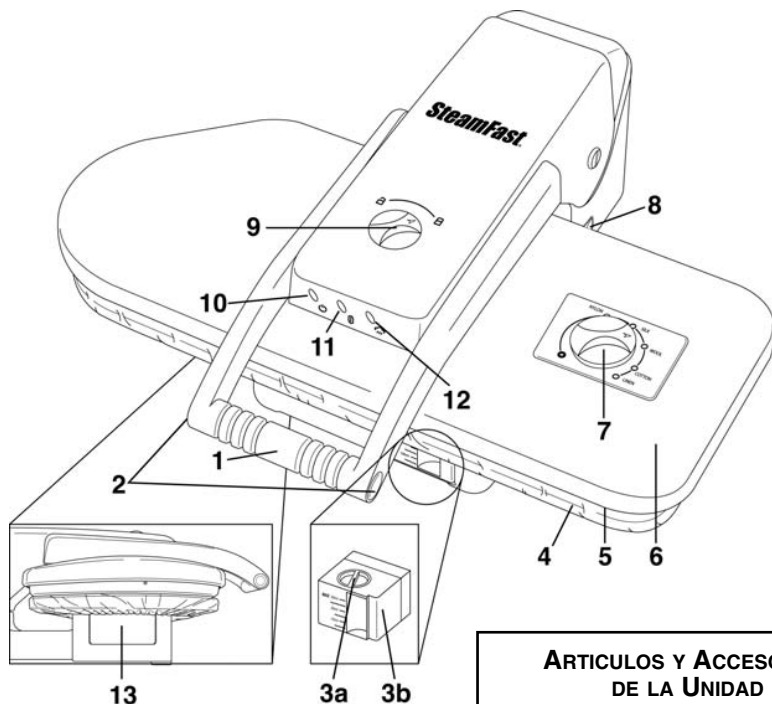
**AVISO:** Para reducir el riesgo de un choque eléctrico, éste aparato tiene un enchufe de tres puntas. Este enchufe cabrá en un receptáculo de pared polarizado de una sola manera. Si el enchufe no entra completamente en el receptáculo, contacte a un electricista licenciado para que instale un receptáculo apropiado. **NO TRATE** de modificar el enchufe o derrostrar.

8. NO maneje o use esta unidad con las manos mojadas o sin zapatos. Para evitar caídas y otras heridas, asegúrese de secar cualquier área mojada en el suelo y de estar lejos de superficies húmedas cuando use la plancha de vapor.
9. La Plancha a Vapor para Tela SP-660 sólo debe ser usada con los accesorios recomendados para la SP-660. Otros tipos de accesorios no deben usarse con la Plancha a Vapor para Tela. Si lo hace puede causar heridas o dañar la unidad.
10. Las superficies se calientan durante el uso. Para evitar heridas, NO toque el Plato de Planchado ni cualquier otra superficie mientras use el aparato. NO ponga sus brazos o manos entre el plato de planchado y la tabla de planchado mientras la unidad esté en uso.
11. Cuando recargue su Plancha a Vapor para Tela con agua destilada, NO llene el Tanque de Agua más allá de la línea MAX (300 ml.).
12. Antes de que llene la unidad con agua, siempre siga los siguientes pasos:
  - (1) Apague el aparato
  - (2) Desconecte el cordón eléctrico del receptáculo eléctricoEl no seguir estos pasos podría resultar en un choque eléctrico y lesiones
13. Sólo debe usar agua en la unidad. Otros agentes químicos dañarán la unidad y pueden causar heridas.
14. NO utilice la función de chorro de vapor de la unidad si las salidas de vapor están bloqueadas. Si esto ocurre, apague la unidad y desenchúfela.
15. Guarde su Plancha a Vapor para Tela en un sitio fresco y seco. Permita que la unidad se enfríe totalmente antes de guardarla.

**¡GUARDE ESTAS INSTRUCCIONES!**  
**PARA USO DOMÉSTICO SOLAMENTE**



Los siguientes artículos y accesorios están incluidos con su plancha a vapor. Inspeccione cuidadosamente el material de embalaje ya que algunas piezas son enviadas dentro del embalaje de espuma de estireno. Para obtener piezas que posiblemente estén perdidas, refiérase a la sección de **Apoyo a Cliente** en la página 10 de éste manual.



### ARTÍCULOS Y ACCESORIOS DE LA UNIDAD

1. Manija
2. Botones de Chorro de Vapor
- 3a. Tapa del Tanque de Agua
- 3b. Tanque de Agua
4. Tabla de Planchado
5. Plato de Planchado
6. Cubierta del Plato de Planchado
7. Selector de Control de Temperatura
8. Interruptor Encendido/Apagado
9. Manija de Cierre
10. Luz Indicadora de Potencia (Roja)
11. Luz Indicadora de Planchado (Verde)
12. Luz Indicadora de que el Chorro de Vapor está Listo (Amarilla)
13. Compartimiento de Almacenaje del Cable
14. Taza de Medidas
15. Botella para Rociar
16. Cojín de Planchado

- La *Manija* (1) se usa para levantar y bajar en forma segura el *Plato de Planchado*, y cargar la unidad.
- Los *Botones de Chorro de Vapor* (2) están ubicados a cada lado de la *Manija* y producen un potente chorro de vapor cuando se presionan.
- La *Tapa del Tanque de Agua* (3a) cubre el agujero de llenado del tanque de agua y debe ser retirada a fin de llenar el *Tanque de Agua* con agua destilada.
- El *Tanque de Agua* (3b) es el tanque que guarda el agua destilada que usa la unidad. Debe haber agua en el *Tanque de Agua* para que funcione adecuadamente la función de chorro de vapor de la unidad.
- La *Tabla de Planchado* (4) es la superficie abullonada en que se coloca la tela durante el planchado. La cubierta de tela es removible y lavable.
- El *Plato de Planchado* (5) es la superficie grande de temperatura graduable que calienta y plancha la tela
- La *Cubierta del Plato de Planchado* (6) es la cubierta duradera que protege el *Plato de Planchado*.
- El *Selector de Control de Temperatura* (7) se usa para seleccionar una temperatura deseada, ubicándolo en la tela que corresponde al material que está planchando.
- El *Interruptor Encendido/Apagado* (8) activa y desactiva la unidad.
- La *Manija de Cierre* (9) cierra el *Plato de Planchado* y la *Tabla de Planchado*. Esto permite cargar y almacenar la unidad.
- La *Luz Indicadora de Potencia (Roja)* (10) se ilumina cuando el *Interruptor Encendido/Apagado* se pone en la posición “Encendido” dándole una indicación visual clara que la unidad está encendida.
- La *Luz Indicadora de Planchado (Verde)* (11) se ilumina mientras la unidad está calentando a la temperatura seleccionada. Cuando se desactiva significa que está listo para planchar.
- La *Luz Indicadora de que el Chorro de Vapor está Listo (Amarilla)* (12) se ilumina una vez que la unidad está lista para producir chorros de vapor, dándole una indicación visual clara que puede iniciar a usar los *Botones de Chorro de Vapor*.
- El *Compartimiento de Almacenaje del Cable* (13) ofrece un lugar cómodo y fácilmente asequible para guardar el cable de potencia.
- La *Taza de Medidas* (14) está diseñada para ayudarle a llenar fácilmente el *Tanque de Agua* con agua destilada.
- La *Botella de Rociado* (15) le permite humedecer las telas antes de plancharlas, esto ayuda a que el proceso de planchado sea más fácil y más eficiente en ciertos casos.
- El *Cojín de Planchado* (16) es un cojín cubierto con tela que se usa para planchar áreas recogidas o contorneadas, como mangas, pinzas o canesú.

### LLENADO DEL TANQUE DE AGUA

1. Coloque la Plancha a Vapor para Tela en una superficie plana y nivelada
2. Gire la Manija de Cerrado a “Unlock” para abrir el Plato de Planchado
3. Levante el Plato de Planchado usando la Manija. Automáticamente se mantendrá en posición alzada.
4. Saque el Tanque de Agua. Note el Tanque de Agua no puede ser retirado totalmente de la unidad; no intente liberarlo a la fuerza.
5. Retire la Tapa del Tanque de Agua para abrir el hoyo de llenado del mismo.
6. Use la Taza de Medidas (incluida), llene el Tanque de Agua hasta la Línea MAX (300 ml.) con agua destilada.
7. Ponga nuevamente la Tapa del Tanque de Agua y empuje el Tanque de Agua lleno nuevamente hacia la unidad principal.

### OPERACIÓN DE LA PLANCHA A VAPOR DE TELA

1. Con el Plato de Planchado alzado, enchufe el cable en el tomacorriente, y ponga el Interruptor Encendido/Apagado en la posición “Encendido” (I) (FIGURA 1).
2. Identifique el tipo de tela que desea planchar, y seleccione la temperatura correspondiente en el Selector de Control de Temperatura. Note que es mejor empezar con las telas más delicadas, ya que niveles elevados de calor dañarán el Nylon y la Seda. La Luz Indicadora de Planchado se iluminará.
3. Se requieren unos minutos de calentamiento para alcanzar la temperatura deseadas. Una vez que el Plato de Planchado esté caliente, la Luz Indicadora de Planchado se desactivará. Ahora está listo para empezar a planchar.
4. Ponga la tela lisa sobre la Tabla de Planchado.
5. Si está planchando paño (lana), es mejor que rocíe un chorro de vapor. Esta función está disponible una vez que se ilumine la Luz Indicadora de que el chorro de vapor está listo.

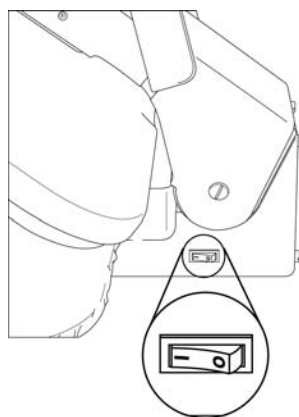


FIGURA 1

**NOTA: No active el chorro de vapor con la unidad totalmente cerrada, ya que esto puede dañar la unidad. Los mejores resultados se obtienen si el Plato de Planchado se tiene abierto aproximadamente a 75 mm. por encima de la Tabla de Planchar antes de presionar el Botón de Chorro de Vapor. Por razones de seguridad, no sostenga el Plato de Planchado más arriba de 75 mm. cuando utilice la función de chorro de vapor.**

6. Para planchar baje suavemente el Plato de Planchado sobre la tela y la tabla de planchado. Déjelo allí por 8 o 10 segundos, luego levántelo. Repita hasta que haya alcanzado los pliegues y la suavidad deseados. Vea la página 8 de este manual para consejos de planchado más específicos.
7. Una vez que las tareas de planchado hayan terminado, inmediatamente ponga el Interruptor Encendido/Apagado en la posición “Apagado” (O), y desconecte el cable de poder a tierra del tomacorriente. Refiérase a la página 9 de este manual para más información acerca de la limpieza y almacenaje de la Plancha a Vapor para Tela.

## **CHORRO DE VAPOR**

1. Sostenga el Plato de Planchado aproximadamente a 75 mm. encima de la Tabla de Planchado
2. Presione el Botón de Chorro de Vapor para que libere un chorro sobre la tela
3. Baje el Plato de Planchado sobre la tela, luego levántelo nuevamente
4. Repita los pasos 1 - 3 sobre la tela hasta que esté lisa y sin arrugas.

## **CONSEJOS PARA EL PLANCHADO Y LA VAPORIZACIÓN**

### **Planchado de Camisas y Blusas**

1. Primero ubique la costura del hombro en la Tabla de Planchado y presione.
2. Luego coloque las mangas en la Tabla de Planchado con el dobléz paralelo a la costura larga y planche.
3. Coloque los puños al final de la Tabla de Planchado y presione.
4. Coloque el final de la camisa detrás de la Tabla de Planchado. Empiece planchando el lado del bolsillo. Hale la camisa hacia usted a medida que plancha cada sección
5. Termine planchando el cuello de la camisa.

### **Planchado de Pantalones**

1. Coloque el Cojín de Planchado debajo de la cintura y presione, reubicando la pretina de la cintura hasta que esté totalmente planchada.
2. Para planchar la entrepierna, coloque el Cojín de Planchado debajo del área a planchar.
3. Coloque el área con pliegues en la Tabla de Planchado. Cuidadosamente doble los pliegues y planche.
4. Los bordados deberán ser colocados hacia abajo sobre la Tabla de Planchado para evitar que se desgasten o que se dañen las áreas delicadas.

### **Otras Técnicas**

- Si coloca el Cojín de Planchado entre la tela y el Plato de Planchado puede ayudar a las telas delicadas.
- Botones y cremalleras. Si tiene tipos de botones o cremalleras antiguos, deberá tener especial cuidado para evitar que se derritan. Para esto, coloque la prenda hacia abajo y cúbrala con el Cojín de Planchado antes de planchar.
- La Botella de Rociado se debe usar para rociar ligeramente las telas. Esto ayudará a retirar arrugas excepcionalmente persistentes.
- Coloque un trapo húmedo antes de planchar, esto ayudará con las arrugas difíciles y con telas de grueso calibre.
- Para planchar piezas grandes de tela, ubique toda la pieza detrás de la Tabla de Planchado. Hale la tela hacia usted, sobre la Tabla de Planchado y baje el Plato de Planchado. Planche la tela por secciones hasta que termine.

## APAGADO AUTOMÁTICO

La función de apagado automático de la Plancha a Vapor para Tela incluye tanto un apagado automático como un encendido automático. Estas características de función múltiple desactivan la corriente eléctrica del calentador cuando el Plato de Planchado ha sido dejado cerrado contra la Tabla de Planchado por más de 10 segundos. La desactivación del calentador se indica por un sonido de alarma. La funcionalidad del calentador se reestablece cuando el Plato de Planchado se levanta nuevamente.

La corriente del calentador también se cortará si el Plato de Planchado se deja levantado sin usar por aproximadamente 15 minutos (indicado por un sonido de alarma continuo). La habilidad de calentamiento de la unidad puede restaurarse accionando nuevamente el Interruptor Encendido/Apagado, o bajando y levantando el Plato de Planchado.

**IMPORTANTE: El apagado automático no significa que se corte totalmente la corriente de la unidad. El aparato sigue encendido y la Luz Indicadora de Poder permanecerá encendida hasta que el Interruptor de Encendido/Apagado sea puesto en la posición “Apagado” (O) (FIGURA 1, página 7).**

## LIMPIEZA DE LA PLANCHA A VAPOR DE TELA

1. Llene el Tanque de Agua con agua usando el procedimiento en la página 7 de este manual.
2. Coloque el Cojín de Planchado en el centro de la Tabla de Planchado.
3. Coloque una toalla limpia sobre el Cojín y la Tabla de Planchado.
4. Ponga el Selector de Control de Temperatura en el más alto (ROPA BLANCA / LINEN).
5. Cuando se ilumine la Luz Indicadora del Chorro de Vapor, baje el Plato de Planchado sobre el Cojín de Planchado.
6. Presione el Botón de Vapor a Chorro seis veces.
7. Permita que el Plato de Planchado se enfríe.
8. Limpie el Plato de Planchado con un trapo húmedo. No use materiales abrasivos, ya que pueden dañar el Plato de Planchado.
9. La tela que cubre la Tabla de Planchado puede retirarse para ser limpiada. Lave a mano con un detergente suave.

## ALMACENAJE APROPIADO

1. Una vez que termine el planchado, apague la unidad y desconecte el cable de potencia del tomacorriente.
2. Permita que la unidad se enfríe totalmente (por lo menos 30 minutos)
3. Baje el Plato de Planchado y ponga la Manija de Cerrado en la posición de “cerrado”.
4. Envuelva el cable de poder y colóquelo en el Compartimiento de Almacenaje del Cable.
5. Guarde todos los accesorios en una forma segura, preferentemente cerca de la Plancha a Vapor para Tela.
6. Guarde la Plancha a Vapor para Tela en un lugar fresco y seco.

PROBLEMA	CAUSA POSIBLE	SOLUCIÓN
La unidad no se calienta ni arroja vapor. La luz indicadora de potencia <b>no</b> se ilumina.	La unidad no está conectada.	Conéctela a un tomacorriente eléctrico.
	El interruptor del circuito doméstico / interruptor de falla de tierra se ha caído o ha volado un fusible.	Reestablezca el interruptor de circuito / interruptor de falla de tierra o reemplace el fusible. Si necesita ayuda, contacte a un electricista licenciado.
La unidad no se calienta ni arroja vapor. La luz indicadora de potencia <b>sí</b> se ilumina.	El sistema de apagado automático está habilitado.	Refiérase a la sección <b>Apagado Automático</b> en la página 9 de este manual para el procedimiento adecuado.
	El tanque de agua está vacío.	Llene el tanque de agua siguiendo los procedimientos de la página 7 de este manual.
	La unidad está dañada o no funciona bien.	Interrumpa inmediatamente el uso y contacte nuestro departamento de atención al cliente.
El chorro de vapor es débil o intermitente.	El plato de planchado necesita limpieza.	Refiérase a la sección de limpieza de la plancha a vapor para telas en la página 9 de este manual para el procedimiento adecuado.

### APOYO AL CLIENTE

Si tiene problemas con su Plancha a Vapor de Tela, por favor consulte las soluciones de resolver problemas localizadas abajo. Preguntas adicionales deben ser dirigidas a nuestros servicios de Apoyo al Cliente a través de nuestro sitio Web, [www.steamfast.com](http://www.steamfast.com), en la página Web de Servicios de Petición.

Si usted no tiene acceso al internet, también puede contactar nuestro departamento de Apoyo al Cliente por teléfono, al (800) 711-6617 ó (816) 584-9700.

**NOTA: Para que nuestro representantes de servicio al cliente puedan ayudarle lo más rápido y eficientemente que sea posible, por favor tenga la siguiente información a la mano antes de llamar:**

- Información de compra (dónde y cuándo Usted compró este producto)
- El Numero de Serie del Producto

**GARANTÍA LIMITADA DE UN AÑO**

(Si reside fuera de los EEUU, gastos adicionales de canjeo pueden aplicar)

Top Innovations, Inc. garantiza que este producto está libre de defectos en materiales y trabajo por un periodo de un (1) año de la fecha de compra. Ésta garantía no cubre daños causado por el uso incorrecto, negligencia, uso de electricidad o voltaje no apropiado, uso comercial, uso contrario a las instrucciones de manejo o desmontaje, reparaciones o alteraciones hechas por cualquier persona otra que el Departamento de Servicio de Garantía de Top Innovations, Inc.

Top Innovations, Inc. reparará o reemplazara, a su opción. Ésta garantía le da a Usted derechos legales específicos y pueda que tenga otros derechos, que pueden variar de estado a estado.

Cumplimiento de cualquier obligación bajo esta garantía puede ser obtenida:

1. Llamando al (800) 711-6617 por su Numero de Autorización de Devoluciones antes de devolverlo para reparaciones. Incumplimiento de conseguir un Numero de Autorización de Devolución podría causarle una demora en la garantía y en las peticiones de servicio que esten fuera de la garantía.
2. Incluya una copia del recibo de compra.
3. Incluya su nombre, dirección, numero de teléfono, y Numero de Autorización de Devolución en el embalaje devuelto.

Por favor mande el producto con el franqueo prepagado a:

**TOP INNOVATIONS, INC.  
WARRANTY SERVICE DEPARTMENT  
6655 TROOST AVE.  
KANSAS CITY, KS 64131**

En el caso de que faltara o estuviera defectuosa alguna pieza o accesorio, por favor póngase en contacto con Apoyo al Cliente. En la mayoría de los casos, no es necesario devolver la unidad entera. Podemos mandar la mayoría de las piezas directamente a la puerta de su casa.

A la expiración de la garantía limitada de 1 año, usted sera avisado de el costo de la reparación antes que se haga el servicio, a menos que usted incluya una nota que indique que usted quiere que nosotros procedamos con la reparación.

Si necesita pedir servicio bajo la garantía, o si tiene alguna pregunta acerca de la cobertura bajo esta garantía, por favor visite nuestra pagina de Peticiones de Servicio de Garantía en nuestro sitio Web [www.steamfast.com](http://www.steamfast.com). Usted también puede ponerse en contacto con el Departamento de Servicios de Garantía por teléfono al (800) 711-6617 o (816) 584-9700, o por correo electrónico [customerservice@topinnovations.com](mailto:customerservice@topinnovations.com).

**Por favor tenga el numero serial de su producto listo antes de ponerse en contacto con el Departamento de Servicio de Garantía. El numero de serie está localizado en la parte de atras o la parte inferior de su unidad.**

# ***SteamFast***<sup>®</sup>

## **Top Innovations, Inc.**

6655 Troost Ave.

Kansas City, MO 64131

Tel: (800) 711-6617

(816) 584-9700

**www.steamfast.com**

customerservice@topinnovations.com



Imprimido in China

### **NUMERO SERIAL DEL PRODUCTO**

Para su conveniencia, un espacio ha sido provisto aquí abajo para que usted anote el numero de serie de su unidad (ubicado en la parte de atras o la parte inferior de la unidad) para facilitar la referencia cuando se ponga en contacto con nuestro Departamento de Servicio al Cliente.

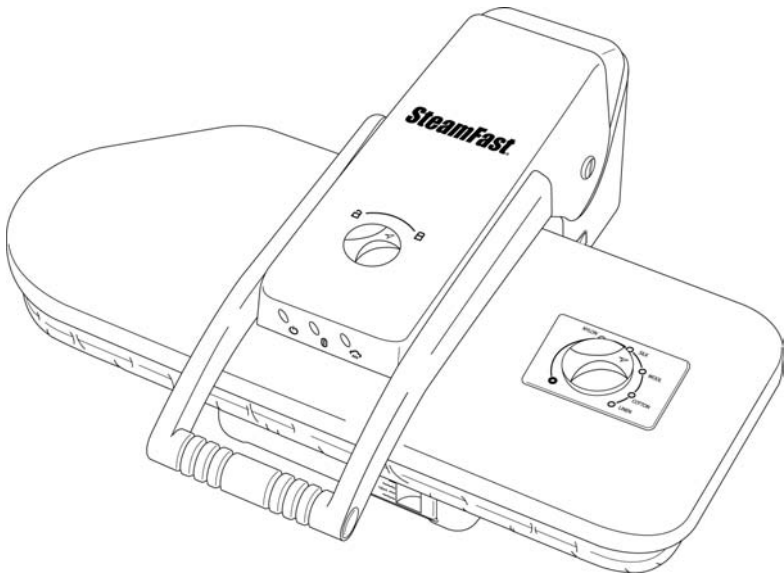
\_\_\_\_\_ - \_\_\_\_\_



MODÈLE SP-660

**SteamFast**

## Presse à Vapeur pour Tissu



par Top Innovations, Inc.

**Prière de lire toutes les instructions avant utilisation.  
Postez la carte d'enregistrement de garantie.**

**Très Chère Client,**

Félicitations pour votre achat de la nouvelle **Presse à Vapeur pour Tissu SP-660**. Ce nouveau produit puissant est conçu pour donner à vos vêtements un air professionnel et sans froissements, sans les inconvénients d'un fer à repasser classique.

Mettez en marche votre **Presse à Vapeur pour Tissu** et, en quelques minutes, vous êtes prêt à enlever tout froissement des vêtements et à restaurer des plis nets et de longue durée. Avec une surface de pressage qui est jusqu'à sept fois plus grande que la plupart des fers à repasser manuels, la **Presse à Vapeur pour Tissu** peut réduire votre temps de repassage de 50%. Ceci vous offre davantage de temps libre pour faire les choses qui vous importent vraiment. La combinaison de ce dernier et des caractéristiques telles qu'un réglage variable de pressage sec et à vapeur, une fonction jet de vapeur puissant, un réglage de température variable et un système de sécurité arrêt automatique vous offre une **Presse à Vapeur pour Tissu** qui est capable de faire tout ce dont vous avez besoin, et même encore plus.

Top Innovations, Inc. vous invite à visiter son site Internet de Support Clientèle au:

**[www.steamfast.com](http://www.steamfast.com)**

Sur ce site Internet vous trouverez davantage de renseignements sur beaucoup d'autres produits passionnants disponibles, des conseils utiles pour l'utilisation de votre **Presse à Vapeur pour Tissu**, ainsi que d'autres informations pour vous aider à utiliser au mieux la puissance de la vapeur!

J'espère que vous apprécierez votre nouvelle **Presse à Vapeur pour Tissu SP-660!**




Benny Lee  
President-Directeur General  
Top Innovations, Inc.



**AVERTISSEMENT:** Pour réduire le risque de feu, choc électrique ou blessures, les précautions de sécurité suivante doivent toujours être suivies lors de l'utilisation d'un appareil électrique.

**LISEZ TOUTES LES DIRECTIVES AVANT D'EMPLOYER VOTRE PRESSE À VAPEUR**

1. NE LAISSEZ PAS votre Presse à Vapeur pour Tissu SP-660 sans surveillance lorsqu'elle est branchée ou n'est pas en usage.
2.  **Cette unité n'est pas un jouet. Une surveillance étroite est nécessaire lors de l'usage à proximité des enfants, des animaux domestiques, ou des plantes. La vapeur produite par cette unité est chaude et sous pression. Il faut faire attention pour éviter les brûlures ou autres blessures.**
3. Débranchez toujours le cordon électrique lorsque l'unité n'est pas en usage. N'UTILISEZ PAS cette unité si le cordon électrique ou la prise de courant sont endommagés. N'UTILISEZ PAS l'unité si elle ne fonctionne pas correctement ou si elle est tombée, a été endommagée, ou laissée dehors. En cas d'un tel endommagement, apportez l'unité chez un technicien de service agréé pour des réparations.
4. Cette unité est un appareil électrique. NE SUBMERGEZ PAS l'appareil dans l'eau. N'EMPLOYEZ PAS le cordon électrique comme poignée. ÉVITEZ tout pli du cordon lors du rangement. NE TIREZ NI NE TENDEZ le cordon sur des coins ou des angles vifs. Évitez tout contact entre le cordon électrique et une surface chaude.
5. N'UTILISEZ PAS cette unité avec des rallonges ou des prises de courant inadéquates. Une prise de courant électrique à trois fiches ou un adaptateur à mise à la terre convenable sont nécessaires pendant l'utilisation de la Presse à Vapeur pour Tissu SP-660.
6. Afin de débrancher la Presse à Vapeur pour Tissu SP-660, empoignez la prise et retirez-la doucement et fermement de la prise de courant. N'ESSAYEZ PAS de la débrancher en tirant sur le cordon.
7. Faites attention lors de l'utilisation de cette unité, car toucher les parties métalliques chaudes ou se trouver trop près de vapeur peut causer des brûlures.

**GARDEZ CES INSTRUCTIONS!**  
**POUR UTILISATION DOMESTIQUE SEULEMENT**

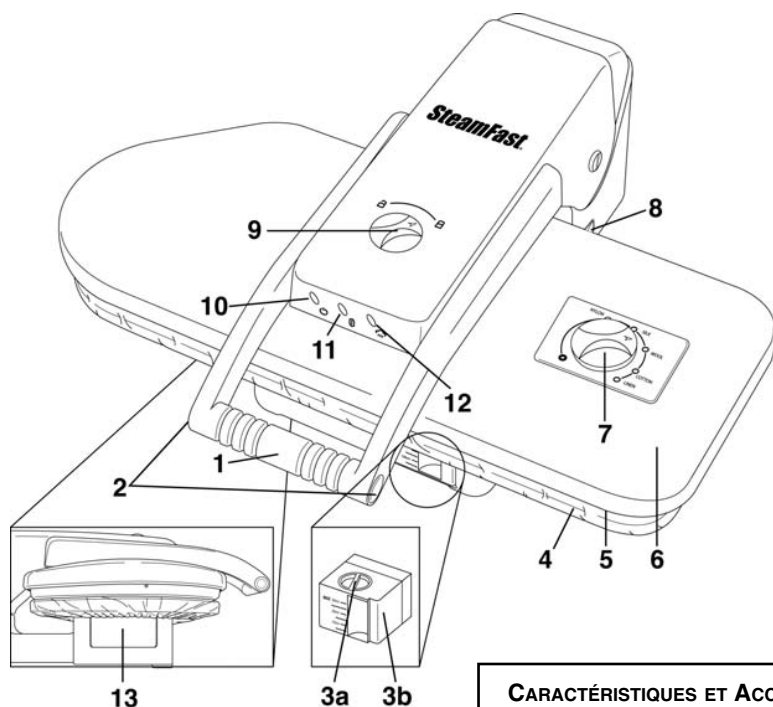


**AVERTISSEMENT:** Afin de réduire le risque de choc électrique, cet appareil est muni d'une fiche de prise électrique à trois lames. Cette fiche ne s'insère que dans un seul sens dans un socle mural à prise polarisée. Au cas où la fiche ne s'insère pas complètement dans le socle, contactez un électricien agréé pour faire installer un socle convenable. **N'ESSAYEZ PAS** de modifier la fiche ou de neutraliser cet accessoire de sécurité.

8. NE MANIPULEZ NI n'utilisez cette unité avec les mains mouillées ou sans chaussures. Afin d'éviter les chutes et toute autre blessure, soyez certain d'assécher toute partie du sol mouillé. Éloignez-vous des surfaces humides lors de l'utilisation de la presse à vapeur.
9. La Presse à Vapeur pour Tissu SP-660 est conçue pour utilisation seulement avec les accessoires SP-660 recommandés. Aucune autre sorte d'accessoire ne doit être utilisée avec la Presse à Vapeur pour Tissu. Un tel acte risque de causer des blessures ou d'endommager l'unité.
10. Les surfaces deviennent chaudes lors de l'utilisation. Afin d'éviter toute blessure, NE TOUCHEZ PAS la Plaque de Repassage ou autre surface lors de l'utilisation de cet appareil. NE POSEZ PAS les bras ou les mains entre la Plaque de Repassage et la Planche à Repasser lorsque l'unité est en marche.
11. Au moment de remplir votre Presse à Vapeur pour Tissu avec de l'eau distillée, NE DÉPASSEZ PAS la ligne MAX (300 ml.) en remplissant le Réservoir à Eau.
12. Avant de remplir l'unité avec de l'eau, prenez toujours les mesures suivantes:
  - (1) Eteignez l'appareil.
  - (2) Débranchez le cordon électrique.La non-conformité avec ces conseils risque d'entraîner un choc électrique et des blessures.
13. L'eau seule doit être employée dans cette unité. Tout autre produit de nettoyage endommagera l'unité et risque d'entraîner des blessures.
14. N'UTILISEZ PAS la fonction jet de vapeur de l'unité si les trous pour l'évacuation de la vapeur sont bloqués. Si ce problème survient, arrêtez l'unité et débranchez-la.
15. Entreposez votre Presse à Vapeur pour Tissu SP-660 dans un endroit frais et sec. Laissez toujours l'unité refroidir complètement avant l'entreposage.

**GARDEZ CES INSTRUCTIONS!**  
**POUR UTILISATION DOMESTIQUE SEULEMENT**

Les caractéristiques et accessoires suivants sont inclus avec votre presseur à tissu. Inspectez soigneusement le matériel d'emballage puisque quelques pièces sont expédiées dans du Styrofoam. Pour obtenir des pièces potentiellement manquantes, consultez la section sur notre **Soutien à la Clientèle** à la page 10 de ce manuel.

**CARACTÉRISTIQUES ET ACCESSOIRES  
DE L'UNITÉ**

1. Poignée
2. Boutons Jet de Vapeur
- 3a. Bouchon du Réservoir à Eau
- 3b. Réservoir à Eau
4. Planche à Repasser
5. Plaque de Repassage
6. Couvercle de Plaque de Repassage
7. Bouton de Réglage de Température
8. Interrupteur Marche/Arrêt
9. Bouton Fermeture/Sécurité
10. Voyant Puissance (Rouge)
11. Voyant Repassage (Vert)
12. Voyant Vapeur Prête (Jaune)
13. Compartiment d'Entreposage du Cordon Électrique
14. Doseur
15. Vaporisateur
16. Coussin de Repassage

- La *Poignée* (1) est utilisée pour déplacer sans risque la *Plaque de Repassage* de haut en bas et pour porter l'unité.
- Les *Boutons Jet de Vapeur* (2) se trouvent sur les deux côtés de la *Poignée*, et produisent un jet de vapeur puissant lorsqu'ils sont enfoncés.
- Le *Bouchon du Réservoir à Eau* (3a) ferme hermétiquement le trou de remplissage du *Réservoir à Eau* et doit être enlevé pour permettre le remplissage du *Réservoir à Eau* avec de l'eau distillée.
- Le *Réservoir à Eau* (3b) est le bac contenant l'eau destinée à être utilisée dans l'unité. Il faut suffisamment d'eau dans le *Réservoir à Eau* pour un fonctionnement convenable de l'unité.
- La *Planche à Repasser* (4) est la surface matelassée sur laquelle le tissu est placé lors du pressage. La couverture en tissu peut être enlevée et lavée.
- La *Plaque de Repassage* (5) est la surface qui s'échauffe par contrôle de la température et sert à presser le tissu.
- Le *Couvercle de la Plaque de Repassage* (6) est le couvercle durable qui protège la *Plaque de Repassage*.
- Le *Bouton de Réglage de Température* (7) est utilisé pour régler à la température désirée en le mettant sur la marque de tissu correspondant au tissu que vous pressez.
- L'*Interrupteur Marche/Arrêt* (8) met en marche et arrête l'unité.
- Le *Bouton Fermeture/Sécurité* (9) scelle la *Plaque de Repassage* et la *Planche à Repasser* en position fermée. Ceci permet le transport et l'entreposage de l'unité.
- Le *Voyant Puissance (Rouge)* (10) s'allume lorsque l'*Interrupteur Marche/Arrêt* est mis en position "Marche", et indique clairement de manière visuelle que l'unité est en marche.
- Le *Voyant Repassage (Vert)* (11) s'allume lorsque l'unité est en train de chauffer jusqu'à la température choisie. Lorsqu'il est éteint, vous êtes prêt à presser.
- Le *Voyant Vapeur Prête (Jaune)* (12) s'allume une fois l'unité prête à produire des jets de vapeur, et indique clairement de manière visuelle que vous pouvez commencer à utiliser les *Boutons Jet de Vapeur*.
- Le *Compartiment d'Entreposage du Cordon Électrique* (13) offre un endroit commode et facile à atteindre pour entreposer le cordon électrique.
- Le *Doseur* (14) est conçu pour faciliter le remplissage du *Réservoir à Eau* avec de l'eau distillée.
- Le *Vaporisateur* (15) vous permet d'humecter le tissu avant le pressage. Ceci facilite le pressage et le rend plus efficace en certaines situations.
- Le *Coussin de Repassage* (16) est un coussin couvert de tissu qui est utilisé pour le pressage des surfaces froncées ou modelées, telles que les manches, pinces ou empiècements.

### REPLISSAGE DU RÉSERVOIR À EAU

1. Placez la Presse à Vapeur pour Tissu sur une surface plate et de niveau.
2. Positionnez le Bouton Fermeture/Sécurité en position "Ouvverte" afin de libérer la Plaque de Repassage.
3. Levez la Plaque de Repassage en utilisant la Poignée. La Plaque de Repassage restera automatiquement en position 'levée'.
4. Retirez le Réservoir à Eau. Remarquez que le Réservoir à Eau ne peut pas être complètement enlevé de l'unité; n'essayez pas de le libérer en force.
5. Enlevez le Bouchon du Réservoir à Eau pour déboucher le trou de remplissage du Réservoir à Eau.
6. En utilisant le Doseur (fourni), remplissez le Réservoir à Eau jusqu'à la ligne MAX (300 ml.) avec de l'eau distillée.
7. Replacez le Bouchon du Réservoir à Eau et remplacez le Réservoir à Eau rempli dans l'unité.

### UTILISATION DE LA PRESSE À VAPEUR POUR TISSU

1. Avec la Plaque de Repassage en position 'levée', branchez le cordon électrique dans la prise de courant électrique, et mettez l'Interrupteur Marche/Arrêt en position "Marche" (I) (FIGURE 1).
2. Identifiez le type de tissu que vous prévoyez de presser, et choisissez le réglage de température convenable en utilisant le Bouton de Réglage de Température. Remarquez que le meilleur moyen est de commencer avec les tissus les plus délicats, parce que les températures plus élevées endommagent le Nylon et la Soie. Le Voyant Repassage s'allumera.
3. Plusieurs minutes seront nécessaires pour atteindre la température de chauffage choisie. Une fois la Plaque de Repassage chauffée, le Voyant Repassage s'éteindra. Vous êtes maintenant prêt à commencer le pressage.
4. Placez le tissu à plat sur la Planche à Repasser.
5. Au cas du pressage de la laine, vous pouvez choisir de vaporiser avec un jet de vapeur. Cette fonction est disponible une fois le Voyant Vapeur Prête allumé.

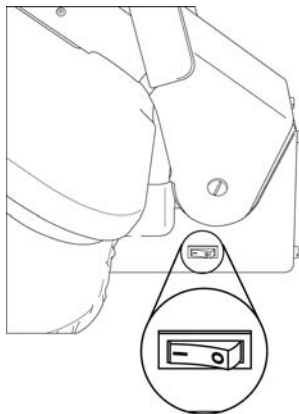


FIGURE 1

**REMARQUEZ : Ne mettez pas en marche le jet de vapeur quand l'unité est complètement fermée, parce que ceci risque d'endommager l'unité. Les meilleurs résultats sont obtenus si la Plaque de Repassage est maintenue ouverte à environ 75 mm. au dessus de la Planche à Repasser avant d'enfoncer le Bouton Jet de Vapeur. Pour des raisons de sécurité, ne maintenez pas la Plaque de Repassage ouverte à plus de 75 mm. lors de l'utilisation de la fonction jet de vapeur.**

6. Afin de presser, descendez doucement la Plaque de Repassage sur le tissu et la Planche à Repasser. Maintenez-la dans cette position pendant 8 à 10 secondes, puis remontez-la. Répétez l'opération jusqu'à l'obtention du pli et du repassage désirés. Adressez-vous à la page 8 de ce manuel pour des conseils plus précis relatifs au pressage.
7. Une fois les tâches de repassage finies, mettez tout de suite l'Interrupteur Marche/Arrêt en position "Fermée" (O) et débranchez le cordon électrique de la prise de courant électrique. Référez-vous à la page 9 de ce manuel pour des renseignements supplémentaires relatifs au nettoyage et à l'entreposage de la Presse à Vapeur pour Tissu.

## **JET DE VAPEUR**

1. Tenez la Plaque de Repassage à 75 mm. environ de la Planche à Repasser.
2. Enfoncez le Bouton Jet de Vapeur pour produire un jet de vapeur sur le tissu.
3. Descendez la Plaque de Repassage sur le tissu, puis remontez-la une fois de plus.
4. Répétez les étapes 1 à 3 au-dessus jusqu'à ce que le tissu soit lisse et sans froissements.

## **CONSEILS POUR LE PRESSAGE ET LA VAPORISATION**

### **Pressage des Chemises et Chemisiers**

1. Placez tout d'abord l'empiecement de l'épaule sur la Planche à Repasser et pressez.
2. Ensuite, placez les manches sur la Planche à Repasser, en positionnant le pli parallèlement à la ligne de couture, et pressez.
3. Placez les poignets sur l'extrémité de la Planche à Repasser, et pressez.
4. Placez la partie inférieure de la chemise derrière la Planche à Repasser. Commencez en pressant le côté où se situe la poche. Tirez la chemise vers vous lors du pressage de chaque partie.
5. Finissez en pressant le col de la chemise.

### **Pressage des Pantalons**

1. Placez le Coussin de Repassage au niveau de la ceinture et pressez, en repositionnant la ceinture jusqu'au pressage complet.
2. Afin de presser dans la longueur, placez le Coussin de Repassage au dessous de la surface à presser.
3. Placez la surface plissée sur la Planche à Repasser. Formez les plis avec soin et pressez.
4. La broderie devrait être placée face en dessous sur la Planche à Repasser afin de réduire l'usure et d'empêcher les dommages aux endroits délicats.

### **Pressage des Pantalons**

- Placer le Coussin de Repassage entre le tissu et la Plaque de Repassage permet de préserver les tissus délicats.
- Boutons et fermetures éclair. Si vous avez de vieux boutons ou fermetures éclair, vous aurez peut-être besoin de faire attention pour éviter qu'ils ne fondent. Pour ce faire, placez le vêtement face en dessous et couvrez-le avec le Coussin de Repassage avant de le presser.
- Le Vaporisateur peut être utilisé pour vaporiser le tissu légèrement. Ceci aidera davantage à enlever les froissements particulièrement rebelles.
- Placez une serviette humide sur le tissu avant de presser, ce qui aidera avec les froissements rebelles ou les tissus épais.
- Afin de presser de grands morceaux de tissu, placez le morceau entier derrière la Planche à Repasser. Tirez le tissu vers vous, au dessus de la Planche à Repasser, et descendez la Plaque de Repassage. Pressez le tissu morceau par morceau jusqu'à ce qu'il ait été complètement pressé.



## ARRÊT AUTOMATIQUE

L'Arrêt Automatique de la Presse à Vapeur pour Tissu est en fait un Arrêt et une Marche Automatiques. Cette caractéristique de sécurité à fonctions multiples assure la coupure électrique de l'appareil de chauffage lorsque la Plaque de Repassage a été laissée en position fermée contre la Planche à Repasser pendant plus de 10 secondes. Un bip sonore indique que l'appareil de chauffage a été arrêté. L'appareil de chauffage est de nouveau en fonctionnement lorsque la Plaque de Repassage est relevée de nouveau.

L'alimentation électrique destinée à l'appareil de chauffage sera également coupée si la Plaque de Repassage est laissée en position 'levée' sans usage pendant 15 minutes environ (indiqué par un bip sonore continu). La capacité de chauffage de l'unité peut être rétablie en rappuyant sur l'Interrupteur Marche/Arrêt ou en descendant et remontant la Plaque de Repassage.

**IMPORTANT: L'Arrêt Automatique n'indique pas que l'alimentation électrique destinée à l'unité est complètement coupée. L'appareil est toujours en fonctionnement, et le Voyant Puissance reste allumé jusqu'à ce que l'Interrupteur Marche/Arrêt soit mis en position "Fermée" (O) (FIGURE 1, page 7).**

## NETTOYAGE DE LA PRESSE À VAPEUR POUR TISSU

1. Remplissez le Réservoir à Eau avec de l'eau en utilisant la procédure à la page 7 de ce manuel.
2. Placez le Coussin de Repassage au milieu de la Planche à Repasser.
3. Placez une serviette propre sur le Coussin de Repassage et la Planche à Repasser.
4. Positionnez le Bouton de Réglage de Température sur la marque maximum (LIN).
5. Lorsque le Voyant Vapeur Prête s'allume, descendez la Plaque de Repassage sur le Coussin de Repassage.
6. Enfoncez le Bouton Jet de Vapeur six fois.
7. Laissez la Plaque de Repassage refroidir.
8. Nettoyez la Plaque de Repassage avec une serviette humide. N'utilisez pas de produit abrasif, ce qui risque d'endommager la Plaque de Repassage.
9. La couverture en tissu de la Planche à Repasser peut être enlevée pour le nettoyage. Lavez-la à main seulement avec un produit détergent doux.

## ENTREPOSAGE CONVENABLE

1. Une fois le pressage complété, éteignez l'unité tout de suite et débranchez le cordon électrique de la prise de courant électrique.
2. Laissez l'unité refroidir complètement (au moins 30 minutes).
3. Descendez la Plaque de Repassage et mettez le Bouton Fermeture / Sécurité en position "Fermée".
4. Enroulez le cordon électrique et placez-le dans le Compartiment de l'Entreposage du Cordon Électrique.
5. Entrez tous les accessoires en sécurité, de préférence près de la Presse à Vapeur pour Tissu.
6. Entrez la Presse à Vapeur pour Tissu dans un endroit frais et sec.

PROBLÈME	CAUSE PROBABLE	SOLUCIÓN
Unité ne chauffe ni ne produit de vapeur. Voyant Puissance ne s'allume pas.	Unité n'est pas branchée.	Branchez l'unité dans une prise de courant électrique.
	Disjoncteur Maison / Interrupteur de Prise de Terre a été déclenché ou a coupé un fusible.	Rappuyez sur le Disjoncteur / Interrupteur de Prise de Terre ou remplacez le fusible. Si vous avez besoin d'aide, contactez un électricien agréé.
Unité ne chauffe ni ne produit de vapeur.	Arrêt Automatique engagé.	Référez-vous à la section <b>Arrêt Automatique</b> à la page 9 de ce manuel pour la procédure convenable.
	Réservoir à Eau est vide.	Remplissez le Réservoir à Eau en utilisant les procédure à la page 7 de ce manuel.
	Unité est endommagée ou fonctionne mal.	Cessez tout de suite tout usage et contactez notre Département de Support Clientèle.
Production des jets de vapeur est faible ou intermittente.	Plaque de Repassage doit être nettoyée.	Référez-vous à la section <b>Nettoyage de la Presse à Vapeur pour Tissu</b> à la page 9 de ce manuel pour la procédure convenable.

### SOUTIEN À LA CLIENTÈLE

En cas de dépannage de votre Presse à Vapeur, adressez-vous, s'il vous plaît, aux solutions de dépannage indiquées ci-dessus. Des questions supplémentaires doivent être envoyées à notre service de Soutien à la Clientèle de notre site Web, [www.steamfast.com](http://www.steamfast.com), à la page Demande de Services.

Si vous n'avez pas un accès Internet, vous pouvez contacter notre Département de Soutien à la Clientèle par téléphone, au numéro (800) 711-6617 ou (816) 584-9700.

**NOTE: Pour aider nos représentants a vous servir le plus rapidement et efficacement possible, ayez en main l'information suivante avant d'appeler :**

- Information d'achat (endroit et date de l'achat)
- Numéro de Série du Produit

**GARANTIE LIMITÉE D'UN AN**

(À l'extérieur des E-U, des frais de transport supplémentaires peuvent s'appliquer)

Top Innovations, Inc. garantit que ce produit est sans défauts en matériel et main-d'œuvre pour une période d'un (1) an à partir de la date d'achat. Cette garantie ne couvre pas les dommages due à un mauvais usage, négligence, utilisation d'alimentation et voltage inappropriés, utilisation contraire aux instructions de fonctionnement ou démontage, réparations ou modification par toute autre personne que le personnel du Département du Service de Garantie de Top Innovations, Inc.

Top Innovations, Inc. réparera ou remplacera le produit à sa discrétion. Cette garantie vous donne des droits légaux spécifiques ainsi que certains autres droits qui varient selon votre État.

L'exécution de toute obligation couverte par cette garantie peut être obtenue en :

1. Appelant le (800) 711-6617 pour obtenir un Numéro d'Autorisation de Retour, avant de retourner le produit pour réparation. Si cette procédure n'est pas suivie, cela peut engendrer un délai de demandes de services sous garantie et hors garantie.
2. Fournissant une copie de votre reçu d'achat.
3. Fournissant votre nom, adresse, numéro de téléphone, et Numéro d'Autorisation de Retour sur votre colis.

Veuillez expédier le produit par poste prépayé à :

**TOP INNOVATIONS, INC.  
WARRANTY SERVICE DEPARTMENT  
6655 TROOST AVE.  
KANSAS CITY, MO 64131**

S'il y a des pièces ou accessoires manquants ou défectueux, veuillez contacter notre Service à la Clientèle. Dans la plupart des cas, il n'est pas nécessaire de retourner la totalité du produit. Nous pouvons expédier certaines pièces directement à votre demeure.

Après expiration de la garantie limitée d'un (1) an, vous serez avisé du coût de réparation avant que toute demande de service soit entreprise, à moins d'avis contraire écrit de votre part indiquant que vous voulez que nous procédions aux travaux.

Si vous devez demander un service de garantie, ou avez des questions concernant la couverture offerte, veuillez visiter la page de Demande de Service de Garantie de notre site Web [www.steamfast.com](http://www.steamfast.com). Vous pouvez aussi contacter le Département de Service de Garantie en téléphonant au numéro (800) 711-6617 ou (816) 584-9700, ou par email [customerservice@topinnovations.com](mailto:customerservice@topinnovations.com).

**Ayez en main le numéro de série de votre produit avant de contacter le Département du Service de Garantie. Le numéro de série se trouve à l'arrière ou au bas de votre produit.**

# ***SteamFast***<sup>®</sup>

## **Top Innovations, Inc.**

6655 Troost Ave.

Kansas City, MO 64131

Tel: (800) 711-6617

(816) 584-9700

**www.steamfast.com**

customerservice@topinnovations.com



Impimé à Chine

### **NUMÉRO DE SÉRIE DU PRODUIT**

Pour faciliter l'accès à votre numéro de série, l'espace ci-dessous vous est fourni pour enregistrer cette information. Cela vous permet une consultation rapide lors de contacts avec notre Département de Service à la Clientèle. Le numéro est inscrit soit à l'arrière de votre produit ou en dessous.

\_\_\_\_\_ - \_\_\_\_\_

## Free Manuals Download Website

<http://myh66.com>

<http://usermanuals.us>

<http://www.somanuals.com>

<http://www.4manuals.cc>

<http://www.manual-lib.com>

<http://www.404manual.com>

<http://www.luxmanual.com>

<http://aubethermostatmanual.com>

Golf course search by state

<http://golfingnear.com>

Email search by domain

<http://emailbydomain.com>

Auto manuals search

<http://auto.somanuals.com>

TV manuals search

<http://tv.somanuals.com>