



OSMAC® RDR Low-voltage Retrofit Kit

Part Number RDR0160LVCE

User's Guide

Español - p. 9

Français - p. 17

Italiano - p. 25

Installation of the RDR (Radio Data Receiver) low-voltage unit will enable you to remotely operate your existing Vari-Time 4000 satellite controller using a hand-held DTMF radio and/or OSMAC base station. This document covers the recommended installation procedures and operation of the completed RDR system.



WARNING

ALL WIRING TO THE EXISTING SATELLITE CONTROLLER MUST COMPLY WITH LOCAL AND NATIONAL ELECTRICAL CODE STANDARDS. TORO IS NOT RESPONSIBLE FOR INJURIES OR EQUIPMENT DAMAGE DUE TO IMPROPER CONTROLLER INSTALLATION.

DISCONNECT 120/240 V A.C. INPUT POWER WHEN SERVICING THE EXISTING IRRIGATION SYSTEM. THE IRRIGATION SYSTEM INCLUDES SPRINKLERS, VALVES, SOLENOIDS, PIPING, WIRING BETWEEN SYSTEM COMPONENTS AND CONTROLLER. FAILURE TO COMPLY CAN RESULT IN SERIOUS INJURY OR ELECTROCUTION.

CAUTION: Unless there is a separate agreement between Toro and the original end-user purchaser, Toro does not warrant the installation, maintenance or service of the system in which the RDR unit is utilized. Toro assumes no obligation for system design, installation and maintenance. Consult a licensed electrician for installation and design.

End-user purchaser is responsible for obtaining a radio license for the operation of this equipment.

Installing the RDR Unit

1. Unlock and remove the front access cover of the satellite cabinet.
2. See **Figure 13** for the proper dimensions if installing the RDR unit on the back of the satellite cabinet (preferred method). If installing the RDR unit inside the satellite cabinet on the rear mounting plate, remove the back page of this document and use **Figure 14** as a template for the four screw hole locations.

Note: The RDR unit utilizes a built-in antenna located on the frequency module assembly. If the RDR unit is installed inside the satellite cabinet or site conditions are such that an alternate antenna is required, an optional antenna adapter kit (P/N 102-1204) is available.

3. Position the template or mark according to the indicated measurements. Drill holes as indicated on the figures.
4. Locate the removable mounting bracket on the back of the RDR unit. Release the latch and slide the mounting bracket out.
5. If installing the mounting bracket on the back of the satellite cabinet, use the provided #10-32 machine screws, washers and nuts as shown in **Figure 1**. If installing inside the satellite cabinet, secure the mounting bracket on the rear plate using the provided self-tapping sheet metal screws as shown in **Figure 2**.
6. Slide the RDR unit onto the mounting bracket until the bracket latch engages the RDR enclosure.

Figure 1

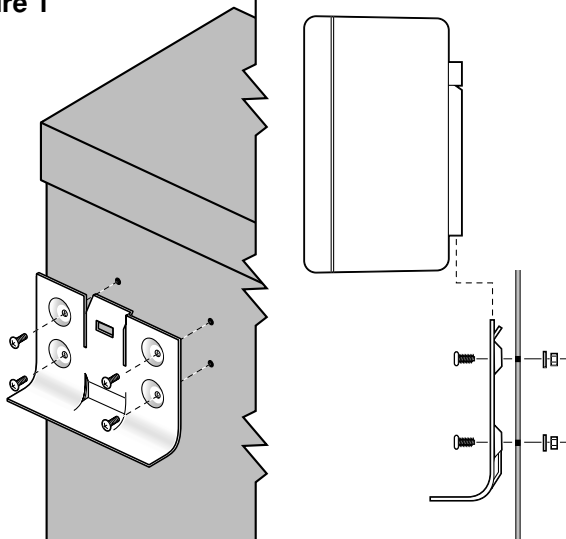


Figure 2

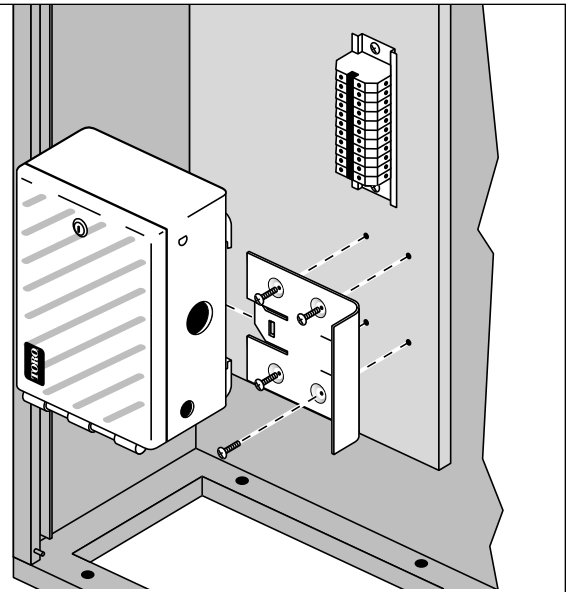
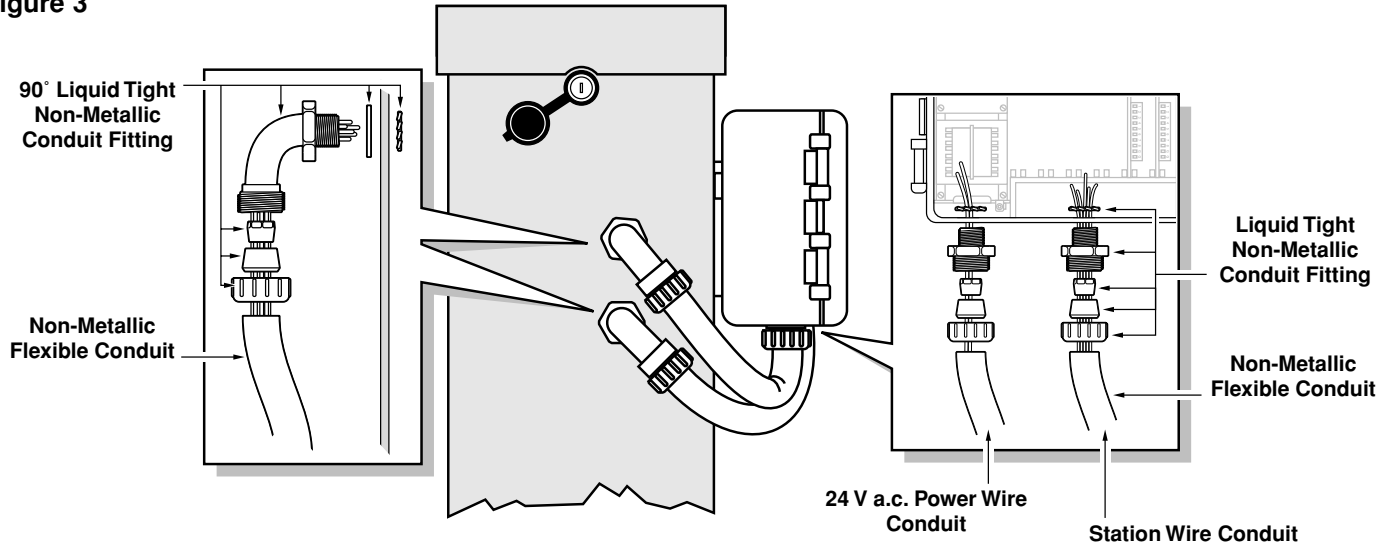


Figure 3



Note: Conduit and fittings are not provided but must be installed as required to comply with Local and National Electrical Code.

Installing the Station Wires and Power Wires

1. Disconnect the primary power source to the existing satellite controller.
2. Unlock the satellite cabinet front cover and the RDR unit door to access the station terminals.
3. For exterior installation, install 1/2" (13mm) flexible water-proof conduit between the satellite cabinet and the RDR unit. See **Figure 3**. Separate conduit must be installed for the 24 V a.c. power wire and station wires.
4. Using 14–16 AWG (2.5–1.5mm²) stranded copper wire, route individual station and valve common wires from the satellite terminal strip into the RDR unit. Label and identify each wire for connection to the RDR output board terminals.
5. Secure each station wire and the valve common wire to its associated RDR station terminal; i.e., satellite station 1 connected to RDR unit station 1, etc. Refer to **Figure 4** for the satellite terminal configuration and **Figure 5** for the RDR unit terminal configuration.
6. Route 24 V a.c. power and common wires from the terminal block and secure both wires to the RDR transformer terminals. See **Figure 5**.

Note: The RDR unit requires a 24 V a.c. power supply. If installing on a controller other than the VT 4000, locate a 24 V a.c. power source from within the controller or from an outside source to connect the RDR transformer.

▲ CAUTION: Up to three valve solenoids can be connected to each station, not to exceed 0.75A maximum output per station. During operation, a maximum of five solenoids can be operated simultaneously, not to exceed 1.25A maximum current draw. Exceeding these limits can cause equipment damage.

Figure 4

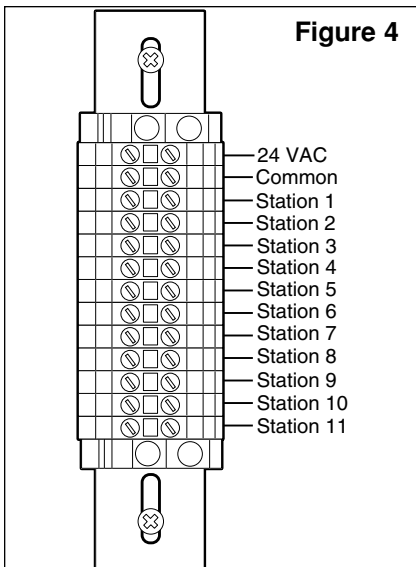
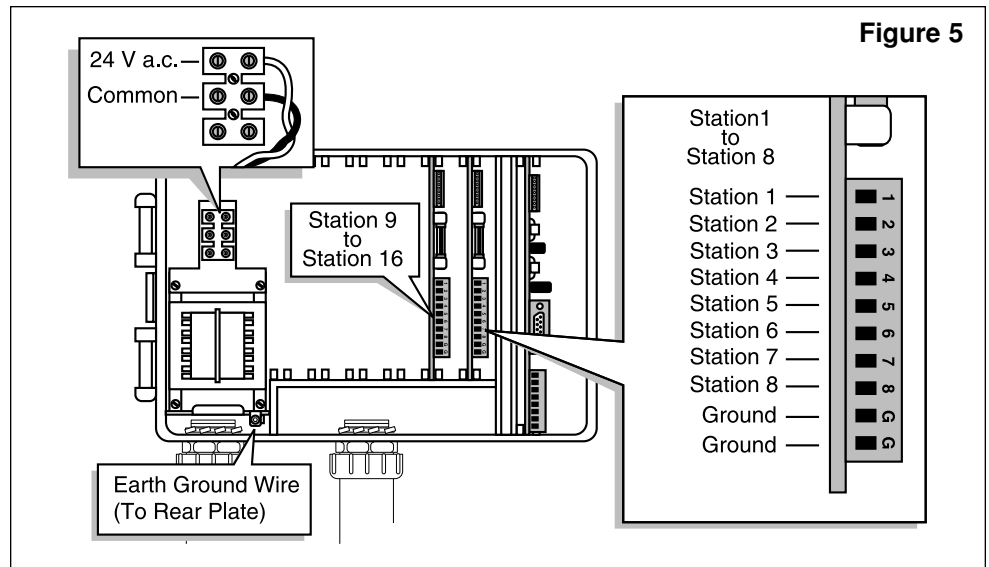


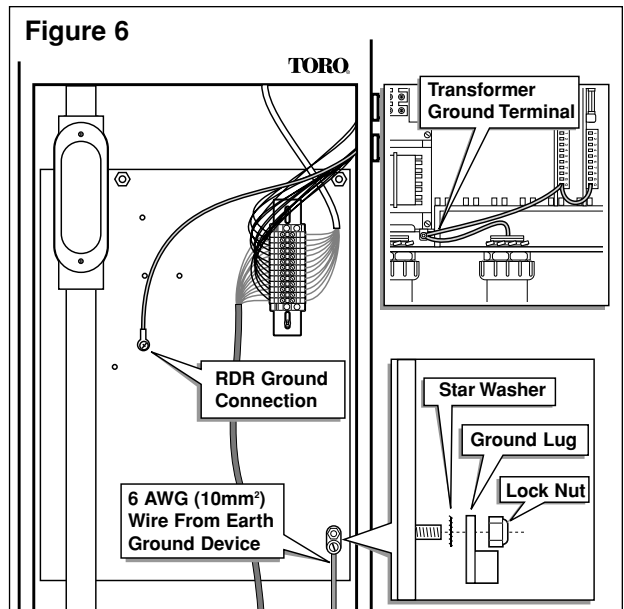
Figure 5



Installing the Earth Ground

1. Route the green ground wire from the RDR unit transformer terminal block to the cabinet rear plate. Secure the ground wire ring terminal to the rear plate using the provided self-tapping sheet metal screw. See **Figure 6**.
2. Remove the lock nut from the lower right corner of the rear plate. Install the provided star washer, copper ground lug and lock nut. Tighten securely. See **Figure 6**.
3. Connect the copper ground lug to an earth grounding device using 6 AWG (10mm²) bare copper wire. Avoid bends in the ground wire of less than 8" (20cm) radius.

⚠ Important: Make sure the satellite is properly connected to an earth ground device such as a 5/8" x 8' (16mm x 2.5m) copper clad rod driven into the earth at a distance from the satellite from 8' to 12' (2.5–3.7m). The top of the ground rod should be buried 12" (30.5cm) below grade level. Using an earth ground resistance testing device, a reading of 0 ohms is optimum, up to 10 ohms is good and 11–30 ohms is acceptable in most cases. If the resistance exceeds the acceptable limit, an additional ground rod can be installed at a distance equal twice the length of first rod; i.e., 16' (4.9m). Connect the ground rods using 6 AWG (10mm²) bare copper wire and test again. If the ground resistance remains high, contact your local Toro distributor for further assistance and recommendations.



Selecting the Decoder Radio Frequency

The narrow-band frequency decoder module stores four user-selectable radio frequencies. The frequencies are programmed at the factory or by the distributor prior to delivery of the RDR unit. A set of jumper pins, located on the RDR frequency decoder module enables the frequency to be selected by placing the jumper on the appropriate channel pin set. See **Figure 7**.

The pre-programmed frequencies are as follows:

- Channel #1 = 462.2125 MHz
- Channel #2 = 462.4375 MHz
- Channel #3 = 467.2125 MHz
- Channel #4 = 467.4375 MHz

Note: There will be cases where the four pre-programmed frequencies are not suitable for use in the area. The frequency programming kit (P/N 102-1208) can be used to program any available user-defined frequency.

⚠ Important: The base station transmitter, hand-held radio and the RDR frequency decoder module must be set to the same frequency to enable communication.

Assigning the Satellite Address Number

Each satellite requires a three-digit address number to enable communication with the central controller and/or a hand-held radio. The address numbers range from 1 (001) through 255 and is set by the DIP switches located on the frequency decoder module assembly. See **Figure 8**.

In the down position, the switch is Off (open) and represents a value of 0 (zero). In the On position, the closed and represents the following address number:

- | | | | |
|------------------|------------------|------------------|-------------------|
| Sw 1 = 1 | Sw 2 = 2 | Sw 3 = 4 | Sw 4 = 8 |
| Sw 5 = 16 | Sw 6 = 32 | Sw 7 = 64 | Sw 8 = 128 |

To set the satellite address number, first locate the desired satellite address in **Table 1** on page 4. Next, position each switch On or Off as indicated on the chart.

Example: To set satellite address number 50 (050), start with all eight DIP switches in the Off (open) position, then set switch numbers 2, 5 and 6 to the On position ($2 [2] + 16 [5] + 32 [6] = 50$). See **Figure 8**.

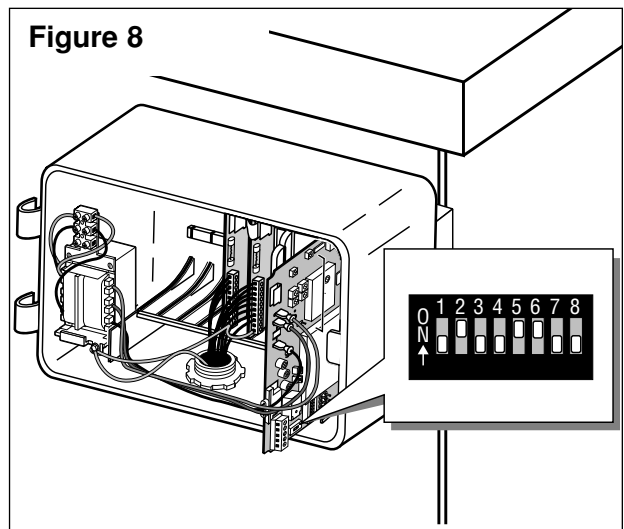
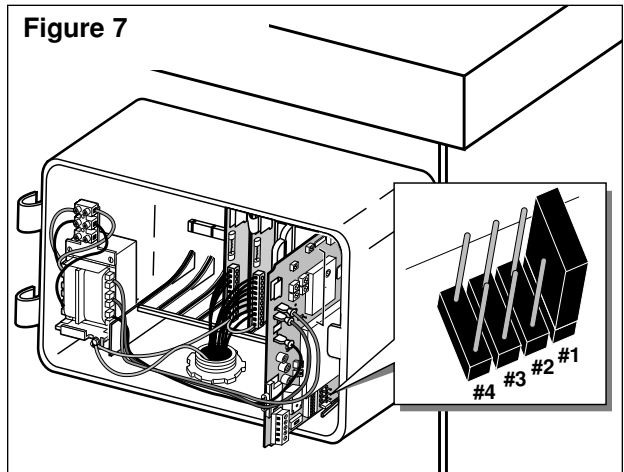


Table 1 - DIP Switch Address Configurations

DIP Switch Number																																								
1	2	3	4	5	6	7	8	1	2	3	4	5	6	7	8	1	2	3	4	5	6	7	8	1	2	3	4	5	6	7	8	1	2	3	4	5	6	7	8	
								● = ON □ = OFF																																
001	●							052		●		●	●			103	●	●			●	●			154		●		●	●		●	205	●		●	●		●	●
002		●						053	●			●	●			104			●		●	●			155	●	●		●	●		●	206	●	●	●		●	●	
003	●	●						054		●		●	●			105	●			●	●			156		●	●	●		●	207	●	●	●		●	●			
004			●					055	●	●		●	●			106		●		●	●			157	●		●	●		●	208				●	●	●			
005	●		●					056				●	●	●		107	●	●		●	●			158		●	●	●		●	209	●			●	●	●			
006		●	●					057	●			●	●	●		108			●		●	●			159	●	●	●	●		●	210		●		●	●	●		
007	●	●	●					058		●		●	●	●		109	●		●		●	●			160				●	●	211	●	●		●	●	●	●		
008				●				059	●	●		●	●	●		110		●		●	●			161				●	●	212		●		●	●	●	●			
009	●			●				060				●	●	●		111	●	●	●		●	●			162		●		●	213	●		●		●	●	●			
010		●		●				061	●			●	●	●		112				●	●			163	●	●		●	●	214		●		●	●	●	●			
011	●	●		●				062		●		●	●	●		113	●			●	●			164		●		●	●	215	●	●		●	●	●	●			
012			●	●				063	●	●		●	●	●		114		●		●	●			165	●	●		●	●	216			●	●	●	●	●			
013	●		●	●				064						●		115	●	●		●	●			166	●	●	●		●	217	●		●	●	●	●	●			
014		●	●	●				065	●					●		116			●		●	●			167	●	●	●		●	218		●		●	●	●	●		
015	●	●	●	●				066		●				●		117	●		●		●	●			168			●	●	219	●	●		●	●	●	●			
016					●			067	●	●				●		118		●		●	●			169	●		●	●	●	220		●		●	●	●	●			
017	●					●		068			●			●		119	●	●		●	●			170		●		●	●	221	●		●	●	●	●	●			
018		●					●	069	●		●			●		120			●		●	●			171	●	●		●	●	222	●	●		●	●	●	●		
019	●	●				●		070		●				●		121	●			●	●			172		●		●	●	223	●	●		●	●	●	●			
020			●		●			071	●	●				●		122		●		●	●			173	●		●	●	●	224				●	●	●	●			
021	●		●		●			072				●		●		123	●	●		●	●			174		●		●	●	225	●			●	●	●	●			
022		●	●		●			073	●			●		●		124			●		●	●			175	●	●	●	●	226		●		●	●	●	●			
023	●	●	●		●			074		●		●		●		125	●		●		●	●			176			●	●	227	●	●		●	●	●	●			
024				●	●			075	●	●		●		●		126	●	●		●	●			177	●		●	●	●	228		●		●	●	●	●			
025	●			●	●			076			●			●		127	●	●		●	●			178		●		●	●	229	●		●		●	●	●			
026		●		●	●			077	●		●			●		128					●	●			179	●	●		●	230		●		●	●	●	●			
027	●	●		●	●			078		●		●		●		129	●				●	●			180		●		●	231	●	●		●	●	●	●			
028			●	●	●			079	●	●		●		●		130		●			●	●			181	●		●	●	232			●	●	●	●	●			
029	●	●	●	●				080				●		●		131	●	●			●	●			182		●		●	233	●		●	●	●	●	●			
030		●	●	●	●			081	●			●		●		132			●		●	●			183	●	●		●	234	●		●		●	●	●			
031	●	●	●	●				082		●		●		●		133	●		●		●	●			184			●	●	235	●	●		●	●	●	●			
032						●		083	●	●		●		●		134		●		●	●			185	●		●	●	236		●		●	●	●	●				
033	●					●		084			●			●		135	●	●			●	●			186		●		●	237	●		●	●	●	●	●			
034		●				●		085	●		●			●		136			●		●	●			187	●	●		●	238	●	●		●	●	●	●			
035	●	●				●		086		●		●		●		137	●		●		●	●			188		●		●	239	●	●		●	●	●	●			
036			●					087	●	●		●		●		138		●		●	●			189	●		●	●	●	240				●	●	●	●			
037	●		●			●		088				●		●		139	●	●		●	●			190		●		●	●	241	●		●		●	●	●			
038		●	●			●		089	●			●		●		140			●		●	●			191	●	●		●	242		●		●	●	●	●			
039	●	●	●			●		090		●		●		●		141	●		●		●	●			192				●	243	●	●		●	●	●	●			
040				●	●			091	●	●		●		●		142		●		●	●			193	●			●	244	●		●		●	●	●	●			
041	●			●	●			092			●			●		143	●	●		●	●			194		●		●	245	●		●		●	●	●	●			
042		●		●	●			093	●		●			●		144				●	●			195	●	●		●	246		●		●	●	●	●				
043	●	●		●	●			094		●		●		●		145	●			●	●			196		●		●	247	●	●		●	●	●	●	●			
044			●	●		●		095	●	●		●		●		146		●		●	●			197	●		●	●	248			●	●	●	●	●	●			
045	●			●	●			096						●		147	●	●		●	●			198		●		●	249	●		●		●	●	●	●			
046		●	●	●	●			097	●					●		148			●		●	●			199	●	●		●	250		●		●	●	●	●			
047	●	●	●	●		●		098		●				●		149	●		●		●	●			200			●	●	251	●	●		●	●	●	●			
048					●	●		099	●	●				●		150		●		●	●			201	●		●	●	252		●		●	●	●	●	●			
049	●				●	●		100			●			●		151	●	●		●	●			202		●		●	253	●		●		●	●	●	●			
050		●			●	●		101	●		●			●		152				●	●			203	●	●		●	254		●		●	●	●	●	●			
051	●	●			●	●		102	●	●		●		●		153	●			●	●			204		●		●	255	●	●		●	●	●	●	●			

Electromagnetic Compatibility

Domestic: This equipment has been tested and found to comply with the limits for a FCC Class A digital device, pursuant to part 15 of the FCC Rules. These limits are designed to provide reasonable protection against harmful interference when the equipment is operated in a commercial environment. The equipment generates, uses, and can radiate radio frequency energy and, if not installed and used in accordance with the instruction manual, may cause harmful interference to the radio communications. Operation in a residential area is likely to cause harmful interference in which case the user will be required to correct the interference at his own expense.

International: This is a CISPR 22 Class A product. In a domestic environment, this product may cause radio interference, in which case the user may be required to take adequate measures.

Performing a Control Circuit Self Test

A self-test feature is provided to check the functionality of various key satellite control circuits.

The test is initiated by positioning the **TEST/RESET** switch, located on the frequency decoder module, to the **TEST** position as shown in **Figure 9**. Testing will begin immediately. The test will repeat continuously until the **TEST/RESET** switch is positioned to the **NORMAL** position.

Note: The **RESET** position resets the frequency decoder microprocessor to factory defaults. To take affect, the satellite must be powered up with the switch in the **RESET** position. The switch should be placed in the **NORMAL** position after 15 seconds of operation.

Remote Relay Function and Connection

The RDR unit frequency decoder module is equipped with a single-pole, double-throw 5.0 amp relay. The relay is intended for use in irrigation installations which have two different irrigation systems. Upon transmitted command from the base station or a hand-held radio, the relay can be energized. This will stop all OSMAC RDR functions and turn power on to the alternate irrigation system. Another command can be sent to the RDR to turn off the relay, de-energizing the alternate system and returning control to the OSMAC RDR. Additionally, a command is provided to disable this feature so it cannot be accidentally activated and a different command to enable the feature. See the **Command Code** list for specifics. See **Figure 10** for the terminal locations.

Fuse Replacement

▲ CAUTION: For continued protection against risk of fire, replace the fuse with the same type and rating only.

The RDR unit transformer assembly and the terminal output boards are equipped with fuses to protect the unit from damage due to power surges and excessive current draw from the station terminals. Before replacing the fuse, check for the probable cause, such as a shorted or improperly connected station or common wire, then replace the fuse as follows:

1. Disconnect the primary power source to the satellite.
2. Unlock the RDR unit to access the transformer assembly and/or terminal output boards.
3. Carefully remove the blown fuse from its retaining clip.
4. Install a replacement fuse to the retaining clip. Use a 2 amp slow-blow fuse for the transformer assembly and a 4 amp slow-blow fuse for the terminal output boards.
5. Reconnect power to the RDR unit.
6. Test for proper operation
7. Lock the RDR unit.

Satellite Operations Using a Hand-Held Radio

Satellite operations can be initiated using a hand-held radio with DTMF keypad. The operation command codes are listed in **Table 2** below and page 6.

▲ Important: The base station transmitter/hand-held radio and the RDR frequency decoder module must be set to the same frequency to enable communication.

Note: All operation commands must begin with the following keypad sequence: ***9** followed by the three-digit satellite address number. The command code is then entered, followed by additional digits which represent selected stations and/or run time values. The **#** key is pressed at the end of the command sequence. All station numbers from **1–9** must be entered with a preceding **0**; i.e., station 1 is entered as **01**.

Example: Confirm communication to the satellite by issuing a manual station start command as follows: Press ***9**, the three-digit satellite address code, command code **7521 01** (station 1) and **#**. Check for sprinkler operation. To step forward through the stations, press ***1**; to step back through the stations, press ***2**. To terminate the test, press ***9**, the three-digit satellite address code and command code **7520 #**.

Table 2 - Hand-Held Radio Command Codes (continued on p.6)

Note: When issuing commands from the base station keypad, use the dash (–) key in lieu of the star (*) key.

Code	Operation Description
7510	Turns off individual stations; e.g., 7510 01 02 11 turns off stations 1, 2 and 11.
7511	Turns on individual stations; e.g., 7511 01 02 11 turns on stations 1, 2 and 11.

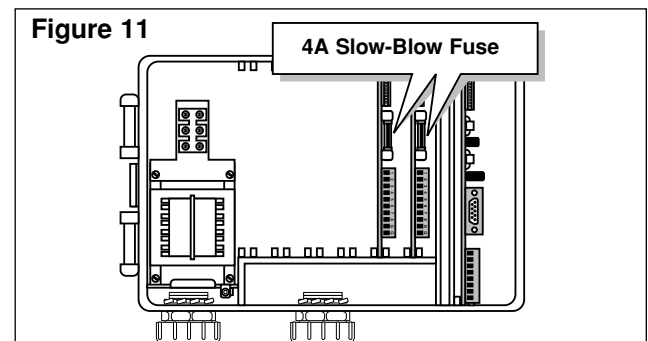
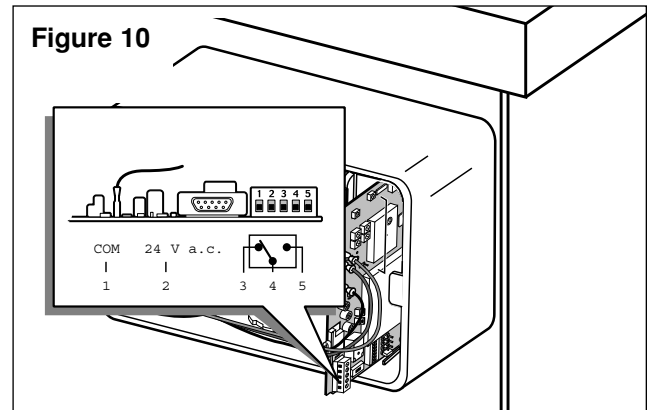
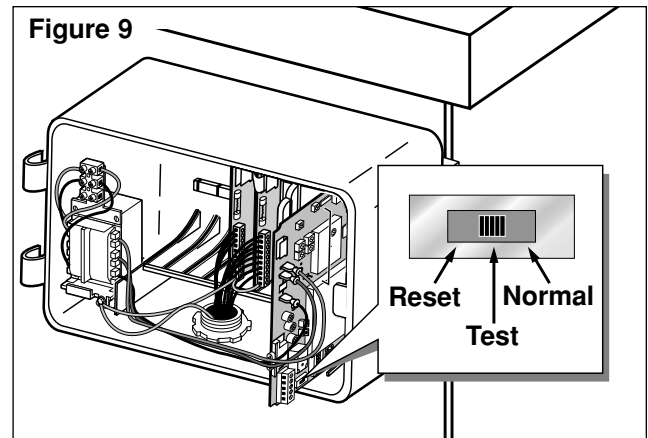


Table 2 - Hand-Held Radio Command Codes (continued from p. 5)

Code	Operation Description
7512	Syringes individual stations for a predetermined time. Use command 8006 01 to set the syringe time; e.g. 7512 01 02 turns on stations 1 and 2 for the specified time.
7513	Disables individual stations ; e.g., 7513 01 03 disables stations 1 and 3. After this command, on and off commands will be ignored for stations 1 and 3 until the stations are re-enabled. (See 7514.)
7514	Enables individual stations ; e.g., 7514 01 03 enable stations 1 and 3.
7515	Sequentially syringes a specified station number range ; e.g., 7515 05 11 will syringe stations 5 through 11 sequentially. Command 8006 01 sets the syringe time.
7516	Sequentially syringes individual stations ; e.g., 7516 10 11 will syringe stations 10 and 11. Note: Multiple syringe groups can also be run. Enter two stars between stations to designate separate syringe groups; e.g., 7516 10 11 * * 22 24 26 28 will run two syringes at the same time. First on stations 10 and 11, followed by stations 22, 24, 26 and 28.
7517	Turns on individuals stations for a specified number of hours, minutes and seconds ; e.g., 7517 01 30 00 05 06 09 turns stations 5, 6 and 9 on for 1 hour, 30 minutes and no seconds.
7518	Turns on individual stations for a specified number of minutes ; e.g., 7518 10 05 06 turns on stations 5 and 6 for 10 minutes.
7520	Turns off a sequential station run operation (initiated by command code 7521).
7521	Turns on a sequential station run operation ; e.g., 7521 01 turns on station 1. To step forward through the stations, press * 1; to step back through the stations, press * 2.
7522	Increment to the next predetermined station in a sequential run ; e.g., 7522 02 will add 02 to the station number of the currently running station and energize the new station number. The sequential run will stop when the new number exceeds 64.
7523	Decrement to the previous predetermined station in a sequential run ; e.g., 7523 03 will run the station that is 3 stations before the one currently running. The sequential run will stop when station number reaches the new station number minus 1.
7524	Turns on individual stations as switches ; i.e., does not simultaneously energize the pump. Note: Will not turn off the pump if already running. E.g., 7524 01 03 11 turns on stations 1, 3 and 11 without energizing the pump.
7525	Turns on individual stations as switches for a time given in minutes ; i.e., does not simultaneously energize the pump in this command string, the run time is entered first, followed by the station numbers; e.g., 7525 25 05 11 turns on stations 5 and 11 for 25 minutes without energizing the pump.
7526	Turns on individual stations as switches for the time given in hours, minutes and seconds . In this command string, the run time is entered first, followed by the station numbers; e.g., 7526 02 30 45 05 06 07 turns on stations 5, 6 and 7 for 2 hours, 30 minutes and 45 seconds.
7540	Turns off all stations (this satellite only).
7542	Turns off all stations using the sequential shut down feature.
7543	Disables all stations in all satellites (rain shutdown) . Note: Satellite address code 256 is used with 7543 or 7544 command codes. The stations will not respond to any further commands until enabled.
7544	Enables operation of all stations in all satellites . See Note above.
7546	Sequentially syringes all stations for a set length of time ; e.g., 7546 turns on all stations for the predetermined number of 30 second intervals as defined in the syringe time.
7800	Disable the remote relay on the frequency decoder module.
7801	Enable the remote relay on the frequency decoder module.
7810	Turns off the remote relay on the decoder module. Resumes function to the satellite unit.
7811	Turns on the remote relay on the decoder module. Disables function to the satellite unit.
8000	Disables pump start.
8001	Enables pump start to be assigned to a station ; e.g., 8001 10 assigns pump start to station 10.
8003 00	Disables operation and turns off all stations in the satellite with sequential shutdown.
8003 01	Enables operation of all stations in the satellite.
8004	Changes the password ; e.g., 8004 7531 6108 will change the factory default password (7531) to 6108.
8006 01	Sets the syringe time in 30-second intervals ; e.g., 8006 01 0100 (without a password) or 8006 pppp 01 0100.(with a password) sets the syringe time to 100 intervals (50 minutes). The number of intervals must be given as four digits with leading zeros but can be no greater than 0255.
8006 02	Sets the time-out limit in 30-minute intervals. Must be specified using four digits with leading zeros and no greater value than 0255; e.g., 8006 02 0060 (without password) or 8006 pppp 02 0060 (with password) sets the time-out limit to 30 hours.
8006 03	Enables/disables the password. Use 8007 03 01 to enable password protection or 8007 03 00 to cancel password protection.
8007 03 00	Password disable command. Cancel the requirement of entering the password for every entered command.
8007 03 01	Password enable command. After activation, all commands will require the password to be entered.
8008	Configures stations as switches. Stations can be specified individually and in combination with a range of stations; by using the star key; e.g., 8008 01 03 08 * 11 configures stations 1, 3 and 8 through 11 as switches.
8009	Configures stations for irrigation. Stations can be specified individually and in combination with a range of stations; by using the star key; e.g., 8008 01 03 08 * 11 configures stations 1, 3 and 8 through 11 for irrigation.
8011	Resets EPROM to factory defaults.
* 1	Sends command 752201 to the last satellite addressed. Increments station number in test mode by one.
* 2	Sends command 752301 to the last satellite addressed. Turns off current station be tested and decrements station number in test mode by one.
* 4	Sends command 7540 to the last satellite addressed. Turns off all stations

**Figure 13 - RDR Installation Detail
For Satellite Exterior Installation**

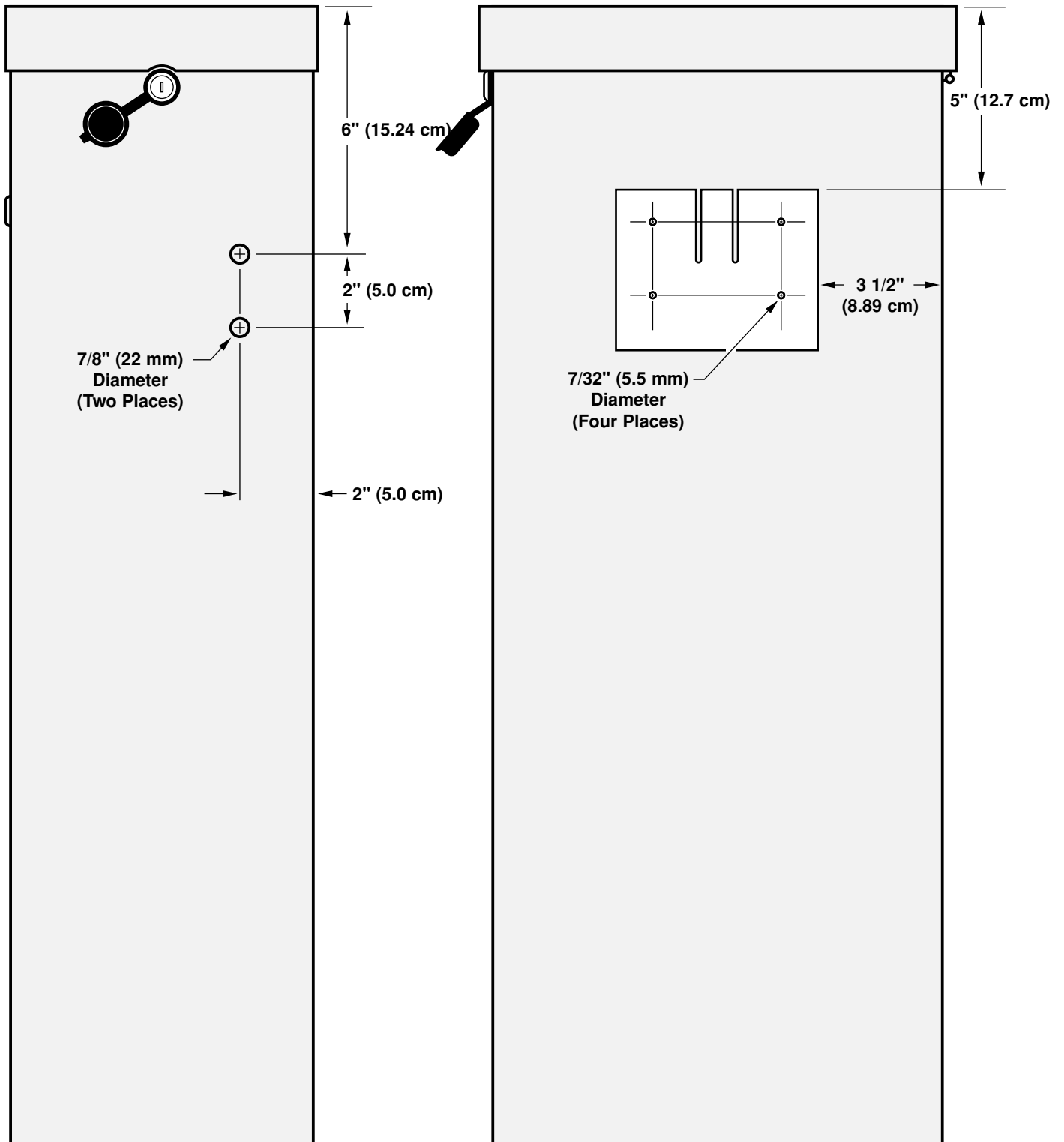
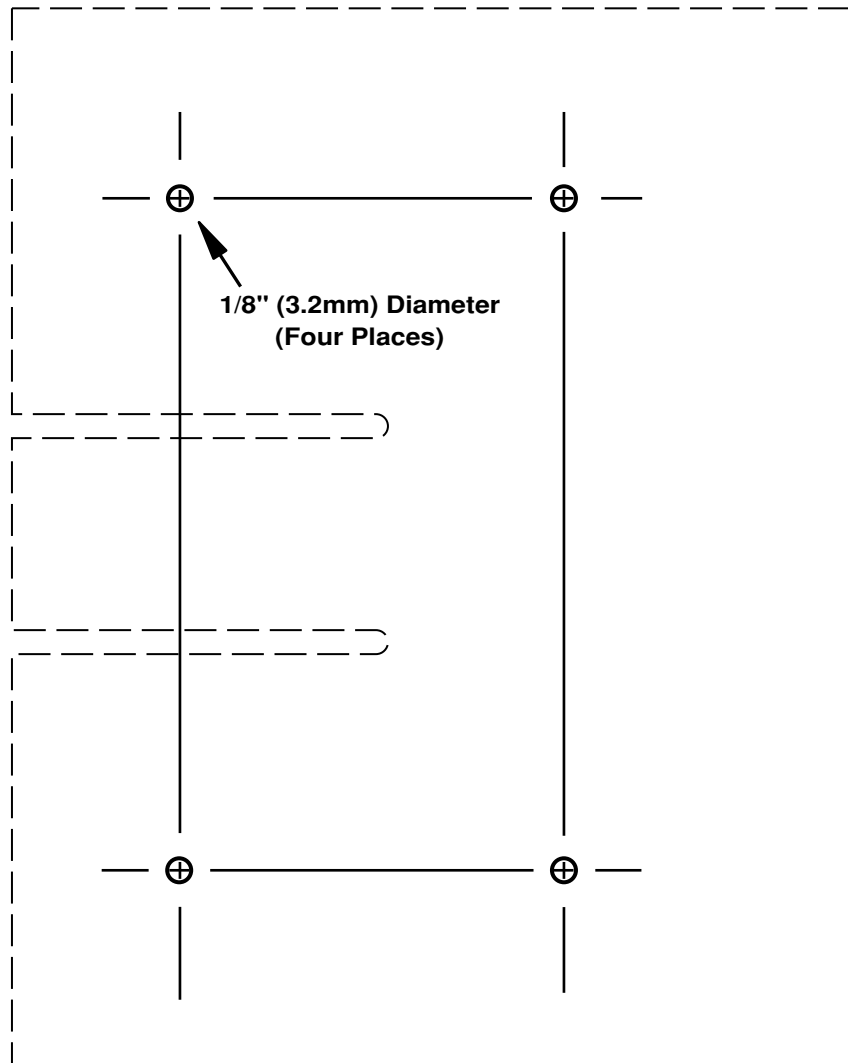


Figure 14 - RDR Mounting Template For Satellite Interior Installation



Align with the lower right corner of the rear plate.



La instalación de la unidad RDR (radiorreceptora de datos) de bajo voltaje le permitirá operar remotamente su actual programador de satélites Vari-Time 4000 utilizando un aparato de radio manual DTMF y/o la estación base OSMAC. Este documento incluye los procedimientos de instalación recomendados y la operación del sistema RDR completo.



ADVERTENCIA

LA CONEXION DE TODOS LOS CABLES ELÉCTRICOS AL ACTUAL PROGRAMADOR DE SATÉLITES DEBERÁ CUMPLIR CON LOS CÓDIGOS ELÉCTRICOS LOCALES Y NACIONALES PERTINENTES. TORO NO ASUMIRÁ RESPONSABILIDAD ALGUNA POR CUALQUIER LESIÓN PERSONAL O DAÑOS AL EQUIPO QUE PUEDAN PRODUCIRSE COMO RESULTADO DE LA INSTALACIÓN INCORRECTA DEL PROGRAMADOR.

DESCONECTE LA ENTRADA ELÉCTRICA DE 120/240 V C.A. CUANDO PRESTE SERVICIO AL SISTEMA DE RIEGO EXISTENTE. EL SISTEMA DE RIEGO INCLUYE TODOS LOS ASPERSORES, VÁLVULAS, SOLENOIDES, TUBERÍAS, CABLES ELÉCTRICOS ENTRE LOS COMPONENTES DEL SISTEMA Y EL PROGRAMADOR. LA FALTA DE CUMPLIR CON ESTE REQUISITO PUEDE OCASIONAR SERIAS LESIONES PERSONALES E INCLUSO LA ELECTROCUCIÓN.

PRECAUCIÓN: a menos que exista un acuerdo separado entre Toro y el comprador original de uso final, Toro no garantiza la instalación, mantenimiento ni servicio del sistema en el que se use la unidad RDR. Toro tampoco asumirá obligación alguna en cuanto al diseño, instalación y mantenimiento del sistema. Consulte a un electricista calificado para el diseño e instalación.

El comprador de uso final tendrá la responsabilidad de obtener una licencia de radio para poder operar este equipo.

Instalación de la unidad RDR

1. Destabe y extraiga la puerta de acceso frontal del armario del satélite.
 2. Vea la **Figura 13** para conocer las dimensiones apropiadas si desea instalar la unidad RDR en la parte trasera del armario del satélite (método preferido). Si desea instalar la unidad RDR dentro del armario del satélite sobre la placa de montaje posterior, desprenda la página pasada de este documento y use la **Figura 14** como plantilla para las ubicaciones de los cuatro tornillos.
- Nota:** la unidad RDR utiliza una antena incorporada localizada en el conjunto del módulo de frecuencias. Si la unidad RDR se instala dentro del armario del satélite o si las condiciones del lugar son tales que exigen el uso de una antena alternativa, hay disponible un kit adaptador de antena opcional (No. de pieza: 102-1204).
3. Posicione la plantilla o haga marcas de acuerdo con las mediciones indicadas. Taladre los orificios indicados en las figuras.
 4. Localice el soporte de montaje extraíble en la parte trasera de la unidad RDR. Suelte el pestillo y extraiga el soporte de montaje haciéndolo deslizar hacia afuera.
 5. Si va a instalar el soporte de montaje en la parte trasera del armario del satélite, use los tornillos, arandelas y tuercas #10-32 provistas, tal como se muestra en la **Figura 1**. Si lo va a instalar dentro del armario del satélite, asegure el soporte de montaje a la placa trasera usando los tornillos para metal autorroscantes provistos, tal como se muestra en la **Figura 2**.
 6. Haga deslizar la unidad RDR sobre el soporte de montaje hasta que el pestillo del soporte encaje en la ranura apropiada del RDR.

Figura 1

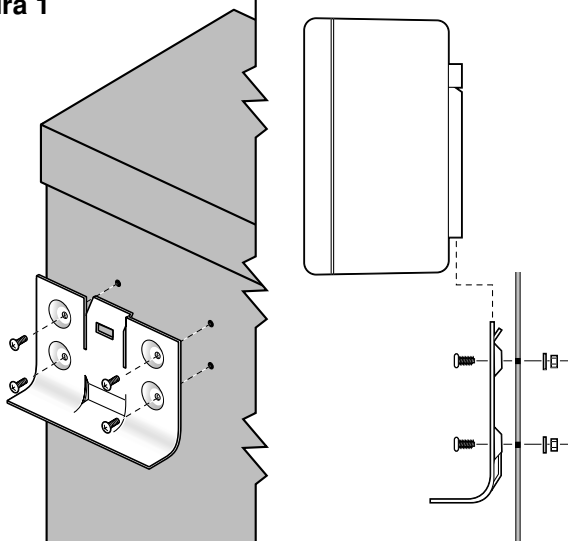


Figura 2

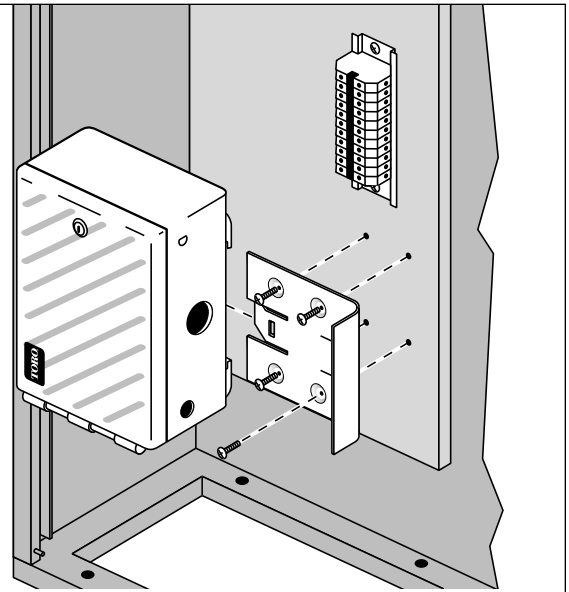
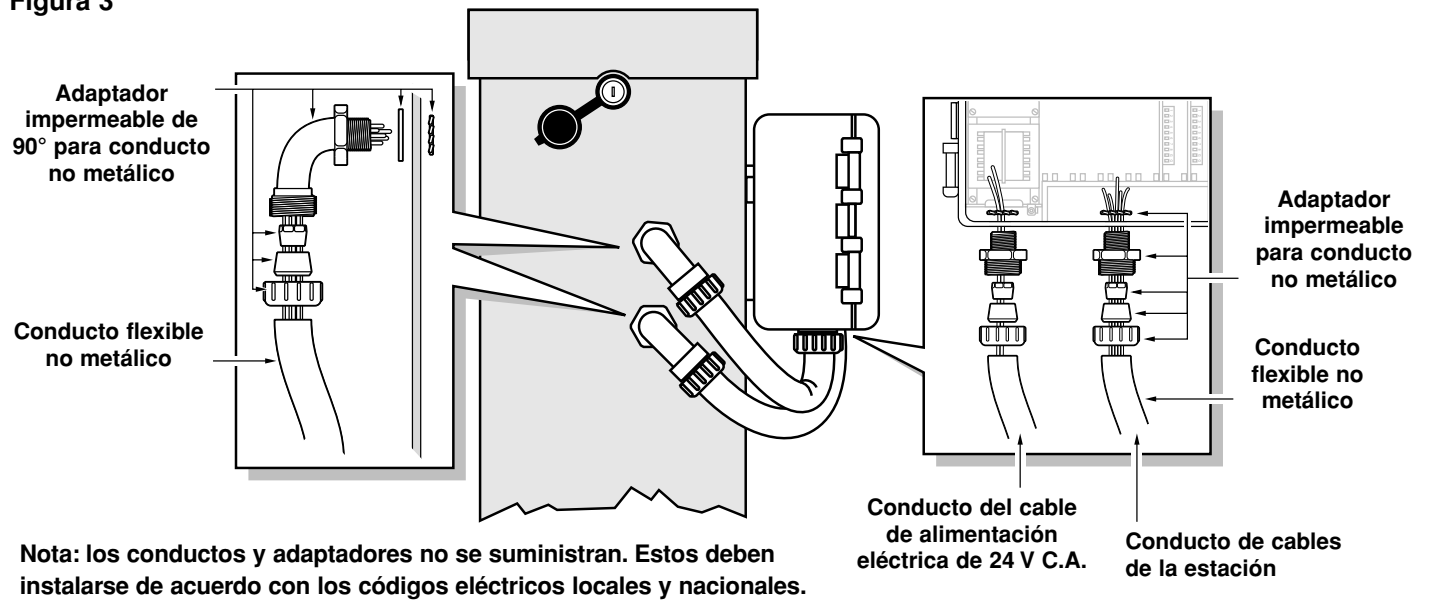


Figura 3

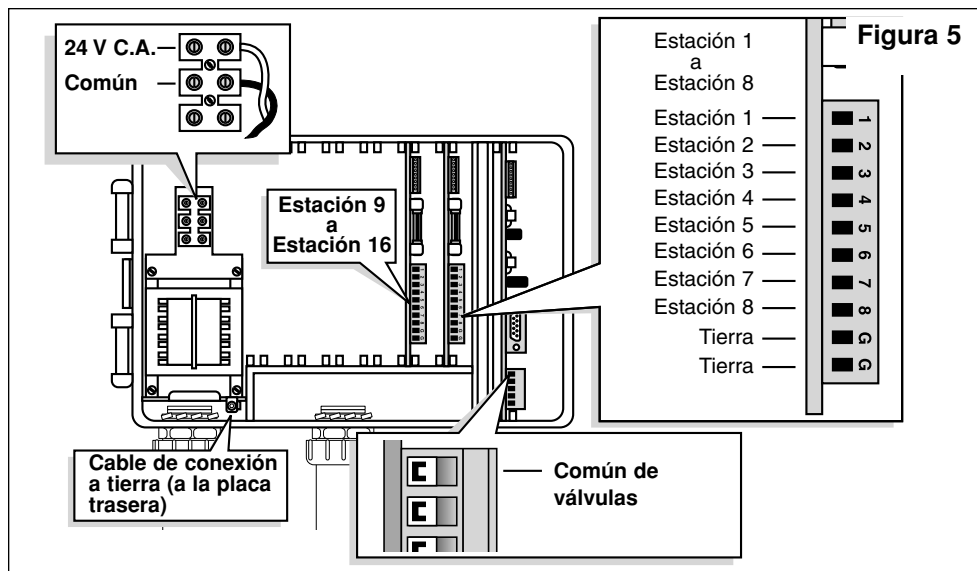
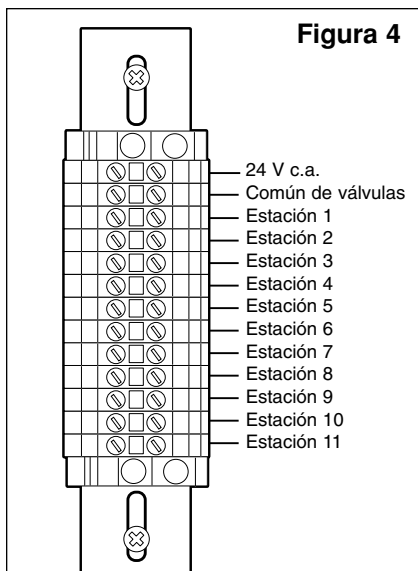


Instalación de los cables de la estación y de los cables de alimentación eléctrica

1. Desconecte la alimentación eléctrica primaria al controlador de satélites actual.
2. Destrabe la tapa frontal del armario del satélite y la puerta de la unidad RDR para obtener acceso a los terminales de la estación.
3. Para la instalación en el exterior del satélite, instale un conducto flexible impermeable de 13 mm de diámetro interno entre el armario del satélite y la unidad RDR. Vea la **Figura 3**. Deben instalarse conductos separados para el cable de 24 V C.A. y para los cables de la estación.
4. Usando cable de cobre multifilar de 2,5 a 1,5 mm² de espesor, dirija y conecte el cable de la estación individual y el cable común de válvulas desde la regleta de terminales del satélite hacia la unidad RDR. Rotule e identifique cada cable para facilitar su conexión a los terminales del tablero de salida.
5. Asegure cada cable de estación y el cable común de válvulas a su terminal correspondiente en la estación RDR; por ejemplo, la estación 1 de satélite ha de estar conectada a la estación 1 de la unidad RDR, etc. Consulte la **Figura 4** para ver la configuración de los terminales del satélite y la **Figura 5** para la configuración de los terminales de la unidad RDR.
6. Dirija el cable de alimentación eléctrica de 24 V C.A. y el cables común desde el bloque de terminales y asegure ambos cables a los terminales del transformador de la unidad RDR. Vea la **Figura 5**.

Nota: la unidad RDR necesita una alimentación eléctrica de 24 V C.A. Si se instala en un programador que no sea el VT 4000, localice una fuente eléctrica de 24 V C.A. desde el programador o desde una fuente externa para la conexión del transformador de la unidad RDR.

⚠ PRECAUCION: hasta 3 solenoides de válvula pueden conectarse a cada estación, sin exceder de una salida máxima de corriente 0,75 A por estación. Durante la operación, hasta cinco solenoides como máximo pueden operarse simultáneamente, sin exceder de un consumo máximo de corriente de 1,25 A.



Instalación de la conexión a tierra

1. Dirija el cable verde de conexión a tierra desde el bloque de terminales del transformador de la unidad RDR a la placa trasera del armario. Sujete el terminal anular del cable de conexión a tierra a la placa trasera con ayuda del tornillo autorroscante suministrado. Vea la **Figura 6**.
2. Desenrosque la tuerca de seguridad de la esquina derecha inferior de la placa trasera. Instale la arandela estrellada, la orejeta de cobre de conexión a tierra y la tuerca de seguridad suministradas. Apriete a fondo la tuerca de seguridad. Vea la **Figura 6**.
3. Conecte la orejeta de cobre a un dispositivo de conexión a tierra por medio de un cable de cobre desnudo de 10² de espesor. Evite curvas de radio menor de 20 cm en el cable de conexión a tierra.

⚠ **Importante:** Asegúrese de que el satélite esté debidamente conectado a un dispositivo de conexión a tierra, tal como una varilla de acero revestida de cobre de 16 mm de diámetro x 2,5 m de longitud clavada en el suelo a una distancia de 2,5 a 3,7 m del satélite. La parte superior de la varilla de conexión a tierra debe estar enterrada a una profundidad de 30,5 cm del nivel del suelo. Seguidamente, use un dispositivo medidor de la resistencia a tierra: una lectura de 0 ohmios es óptima, una lectura de hasta 10 ohmios es buena, y una lectura de 11 a 30 ohmios es aceptable en la mayoría de los casos. Si la resistencia excede del límite aceptable, podrá instalarse otra varilla adicional a una distancia igual a dos veces la longitud de la primera varilla; por ejemplo, a 4,9 m. Conecte las varillas entre sí usando un cable de cobre desnudo de 10 mm² de espesor y mida la resistencia de nuevo. Si la resistencia a tierra continúa siendo elevada, póngase en contacto con el distribuidor Toro local para recibir asistencia y recomendaciones.

Selección de la frecuencia de radio del descodificador

El módulo descodificador de frecuencias de banda angosta almacena cuatro frecuencias de radio seleccionables por el usuario. Las frecuencias son programadas en fábrica o por el distribuidor antes de la entrega de la unidad RDR. Hay disponible un conjunto de púas conectables por un puente, localizadas en el módulo descodificador de frecuencias, que permiten seleccionar la frecuencia colocando el puente sobre el conjunto de púas del canal apropiado. Vea la **Figura 7**.

Las frecuencias preprogramadas son las siguientes:

- Canal No. 1 = 462,2125 MHz
- Canal No. 2 = 462,4375 MHz
- Canal No. 3 = 467,2125 MHz
- Canal No. 4 = 467,4375 MHz

Nota: es posible que en ciertas áreas las cuatro frecuencias preprogramadas no sean apropiadas para su uso. El kit de programación de frecuencias (No. de pieza: 102-1208) puede usarse para programar cualquier frecuencia disponible definida por el usuario.

⚠ **Importante:** es esencial que el transmisor de la estación base, el aparato de radio manual y el módulo descodificador de frecuencias de la unidad RDR estén sintonizados a la misma frecuencia para poder comunicarse entre sí.

Asignación del número de dirección del satélite

Cada satélite necesita un número de dirección de 3 dígitos para poder comunicarse con el programador central y/o con un aparato de radio manual. Los números de dirección van del 1 (001) al 255 y son establecidos por los interruptores DIP localizados en el conjunto del módulo descodificador de frecuencias. Vea la **Figura 8**.

Cuando la palanquita del interruptor está en la posición hacia abajo, el interruptor está Off (abierto) y representa un valor de 0 (cero); en la posición hacia arriba, el interruptor está On (cerrado) y representa el número de dirección que aparece a continuación:

- | | | | |
|-----------------------|-----------------------|-----------------------|------------------------|
| Interr. 1 = 1 | Interr. 2 = 2 | Interr. 3 = 4 | Interr. 4 = 8 |
| Interr. 5 = 16 | Interr. 6 = 32 | Interr. 7 = 64 | Interr. 8 = 128 |

Para establecer el número de dirección del satélite, localice primero la dirección del satélite deseado en la **Tabla 1** de la página 4. Luego, mueva la palanquita de cada interruptor a la posición On (cerrada) u Off (abierta), tal como se indica en la gráfica.

Ejemplo: para asignar el número de dirección 50 (050) a un satélite, comience con los ocho interruptores DIP en posición Off (abierta), luego mueva la palanquita de los interruptores números 2, 5 y 6 a la posición On (cerrada); es decir, **2 [Interr. 2] + 16 [Interr. 5] + 32 [Interr. 6] = 50**. Vea la **Figura 8**.

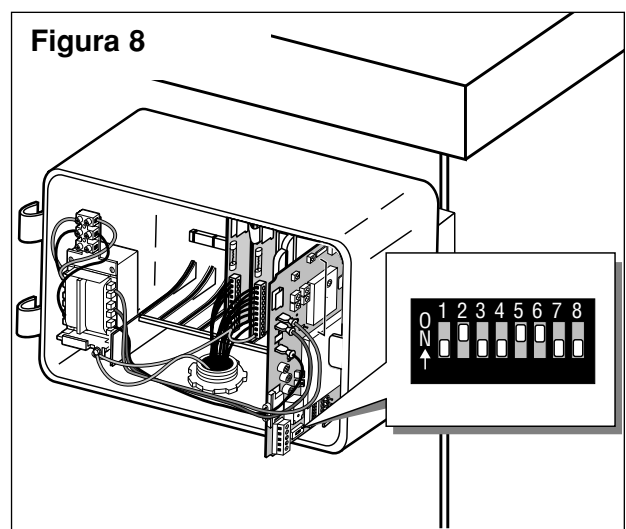
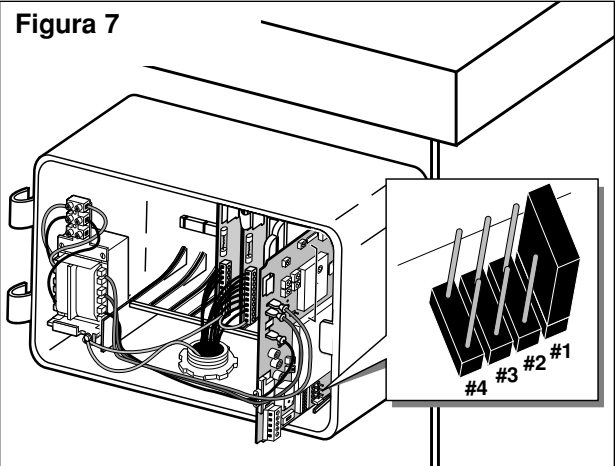
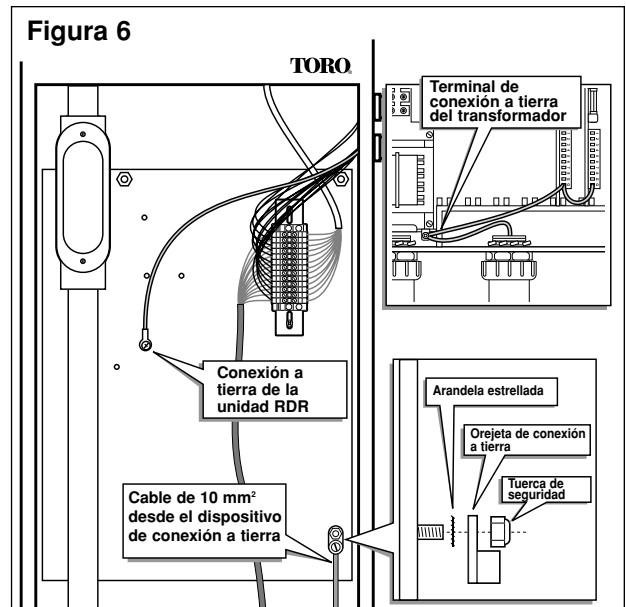


Tabla 1 - Configuraciones de dirección de los interruptores DIP

Número de interruptor DIP 1 2 3 4 5 6 7 8 ● = ENCENDIDO □ = APAGADO

001	●	●							052		●	●	●	●					103	●	●	●	●	●	●							154		●	●	●	●	●			205	●	●	●	●	●	●	●						
002		●							053	●	●	●	●	●						104			●	●	●	●	●							155	●	●	●	●	●	●			206	●	●	●	●	●	●	●				
003	●	●							054	●	●	●	●	●						105	●		●	●	●	●	●							156		●	●	●	●	●	●			207	●	●	●	●	●	●	●			
004			●						055	●	●	●	●	●						106		●	●	●	●	●	●							157	●	●	●	●	●	●	●			208				●	●	●	●			
005	●		●						056				●	●	●					107	●	●	●	●	●	●	●							158	●	●	●	●	●	●	●			209	●			●	●	●	●			
006		●	●						057	●			●	●	●					108		●	●	●	●	●	●							159	●	●	●	●	●	●	●			210		●		●	●	●	●			
007	●	●	●						058	●		●	●	●	●					109	●	●	●	●	●	●	●							160					●	●	●	●			211	●	●		●	●	●	●		
008				●					059	●	●	●	●	●	●					110		●	●	●	●	●	●							161					●	●	●	●			212	●		●	●	●	●			
009	●			●					060			●	●	●	●					111	●	●	●	●	●	●	●							162	●				●	●	●	●			213	●	●	●	●	●	●	●		
010		●		●					061	●	●	●	●	●	●					112				●	●	●	●							163	●	●			●	●	●	●			214	●	●	●	●	●	●	●		
011	●	●		●					062		●	●	●	●	●					113	●			●	●	●	●							164		●			●	●	●	●			215	●	●	●	●	●	●	●		
012			●	●					063	●	●	●	●	●	●					114		●		●	●	●	●							165	●	●			●	●	●	●			216			●	●	●	●	●		
013	●		●	●					064						●					115	●	●		●	●	●	●							166	●	●	●			●	●	●	●			217	●		●	●	●	●	●	
014		●	●	●					065	●					●					116		●		●	●	●	●							167	●	●	●	●	●	●	●			218	●	●	●	●	●	●	●			
015	●	●	●	●					066		●				●					117	●	●		●	●	●	●							168			●	●	●	●	●	●			219	●	●	●	●	●	●	●		
016					●				067	●	●				●					118		●	●	●	●	●	●							169	●		●		●	●	●	●			220		●	●	●	●	●	●		
017	●					●			068		●				●					119	●	●	●	●	●	●	●							170	●		●		●	●	●	●			221	●	●	●	●	●	●	●		
018		●					●		069	●		●			●					120			●	●	●	●	●							171	●	●		●		●	●	●	●			222	●	●	●	●	●	●	●	
019	●	●				●			070		●	●			●					121	●		●	●	●	●	●							172	●		●		●		●	●	●			223	●	●	●	●	●	●	●	
020			●	●					071	●	●	●			●					122		●		●	●	●	●							173	●		●		●		●	●	●			224				●	●	●	●	
021	●		●	●					072			●			●					123	●	●		●	●	●	●							174	●	●	●		●		●	●	●			225	●			●	●	●	●	
022		●	●	●					073	●		●			●					124		●	●	●	●	●	●							175	●	●	●	●	●	●	●			226	●			●	●	●	●			
023	●	●	●	●					074	●		●			●					125	●	●	●	●	●	●	●							176			●	●	●	●	●			227	●	●		●	●	●	●			
024				●	●				075	●	●	●			●					126	●	●	●	●	●	●	●							177	●		●		●		●	●	●			228	●		●	●	●	●	●	
025	●			●	●				076			●			●					127	●	●	●	●	●	●	●							178	●		●		●		●	●	●			229	●		●	●	●	●	●	
026		●		●	●				077	●		●			●					128							●							179	●	●		●		●		●	●			230		●	●	●	●	●	●	
027	●	●		●	●				078		●	●			●					129	●						●							180		●		●		●		●	●			231	●	●		●	●	●	●	
028			●	●	●				079	●	●	●			●					130		●				●								181	●		●		●		●		●	●			232			●	●	●	●	●
029	●	●	●	●					080			●			●					131	●	●				●								182	●		●		●		●		●	●			233	●		●	●	●	●	●
030		●	●	●	●				081	●		●			●					132		●				●								183	●	●	●		●		●		●	●			234	●		●	●	●	●	●
031	●	●	●	●					082		●				●					133	●		●			●								184			●	●		●		●	●			235	●	●	●	●	●	●	●	
032							●		083	●	●				●					134	●		●			●								185	●		●		●		●		●	●			236		●	●	●	●	●	●
033	●						●		084		●				●					135	●	●	●			●								186	●		●		●		●		●	●			237	●		●	●	●	●	●
034		●					●		085	●		●			●					136			●			●								187	●	●		●		●		●	●			238	●	●	●	●	●	●	●	
035	●	●					●		086	●	●	●			●					137	●		●			●								188	●		●		●		●		●	●			239	●	●	●	●	●	●	●
036			●				●		087	●	●	●			●					138		●				●								189	●		●		●		●		●	●			240				●	●	●	●
037	●		●				●		088			●			●					139	●	●		●			●							190			●		●		●		●	●			241	●		●	●	●	●	●
038		●	●				●		089	●		●			●					140		●	●			●								191	●	●	●		●		●		●	●			242		●	●	●	●	●	●
039	●	●	●				●		090		●				●					141	●		●			●								192					●	●	●	●			243	●	●		●	●	●	●		
040				●	●				091	●	●	●			●					142		●	●			●								193	●				●		●		●	●			244	●		●	●	●	●	●
041	●			●	●				092			●			●					143	●	●	●			●								194	●		●		●		●		●	●			245	●		●	●	●	●	●
042		●		●	●				093	●		●			●					144				●			●							195	●	●			●		●		●	●			246	●	●	●	●	●	●	●
043	●	●		●	●				094		●	●			●					145	●			●			●							196		●			●		●		●	●			247	●	●	●	●	●	●	●
044																																																						

Realización de una autopueba del circuito de control

Hay disponible una función de autopueba para comprobar la funcionalidad de varios circuitos de control clave de los satélites.

La prueba se inicia colocando el interruptor **TEST/RESET** (Comprobar/Reposicionar), situado en el módulo descodificador de frecuencias, a la posición de **TEST** (Comprobar), tal como se muestra en la **Figura 9**. La prueba comenzará inmediatamente. La prueba se repetirá continuamente hasta que el interruptor de **TEST/RESET** se coloque nuevamente a la posición de **NORMAL**.

Nota: la posición de **RESET** (Reposicionar) reposiciona el microprocesador del descodificador de frecuencias a los ajustes preestablecidos en fábrica. Para que tenga efecto, la alimentación eléctrica debe estar encendida con el interruptor en la posición de **RESET**. El interruptor deberá moverse a la posición de **NORMAL** después de 15 segundos de operación.

Función y conexión del relé remoto

El módulo descodificador de frecuencias de la unidad RDR está equipado de un relé unipolar de dos vías de 5 amperios. El relé ha sido diseñado para usarse en instalaciones de riego que disponen de dos sistemas de riego diferentes. Con la transmisión de un comando desde la estación base o desde un aparato de radio manual, podrá activarse el relé. Este detendrá todas las funciones de la unidad RDR OSMAC y conectará la alimentación eléctrica al sistema de riego alternativo. Podrá enviarse otro comando a la unidad RDR para apagar el relé, con lo que se desactivará el sistema de riego alternativo y se devolverá el control a la unidad RDR OSMAC. Además, hay disponible un comando para inhabilitar esta función de modo que no pueda ser activada accidentalmente, y también otro comando diferente para habilitar esta función. Vea la lista de **Códigos de comando** para los detalles específicos. Vea la **Figura 10** para las ubicaciones de los terminales.

Reemplazo del fusible

⚠ PRECAUCION: para una protección continua contra el riesgo de incendio, reemplace el fusible solamente por uno del mismo tipo y amperaje.

El conjunto de transformador de la unidad RDR y los tableros de terminales de salida están equipados de fusibles para proteger la unidad contra posibles daños causados por oscilaciones excesivas de corriente provenientes de los terminales de las estaciones. Antes de reemplazar el fusible, localice la causa probable, tal como un cable de estación o cable común cortocircuitado o conectado incorrectamente y, seguidamente, reemplace el fusible de la manera siguiente:

1. Desconecte la alimentación eléctrica primaria al satélite.
2. Abra la unidad RDR para obtener acceso al conjunto del transformador y/o tableros de terminales de salida.
3. Extraiga cuidadosamente el fusible quemado de su clip retenedor.
4. Instale un fusible de repuesto en el clip retenedor. Use un fusible de 2 amperios de fusión lenta para el conjunto del transformador y un fusible de 4 amperios de fusión lenta para los tableros de terminales de salida.
5. Reconecte la alimentación eléctrica a la unidad RDR.
6. Verifique su funcionamiento correcto.
7. Cierre la unidad RDR.

Operaciones de los satélites controladas por medio de un aparato de radio manual

Las operaciones de los satélites pueden iniciarse con un aparato de radio manual dotado de teclado DTMF. Los códigos de comando de operación aparecen enumerados en la **Tabla 2** más abajo y en la página 6.

⚠ Importante: el transmisor/aparato de radio manual de la estación base y el módulo descodificador de frecuencias de la unidad RDR deben sintonizarse a la misma frecuencia para poder comunicarse entre sí.

Nota: todos los comandos de operación deben comenzar con la secuencia en el teclado ***9**, seguido por el número de dirección del satélite de 3 dígitos. Seguidamente, se ingresa el código de comando, seguido por dígitos adicionales que representan los valores de las estaciones seleccionadas y/o tiempos de riego. Al terminar la secuencia de comandos, se oprime la tecla **#**. Todos los números de estaciones de **1 a 9** deben ingresarse precedidos por un **0**; por ejemplo, la estación 1 se ingresa como **01**.

Ejemplo: confirme la comunicación al satélite ingresando un comando de arranque de estación manual de la manera siguiente: Oprima ***9**, luego el código de dirección del satélite de 3 dígitos, el código de comando **7521 01** (estación 1) y **#**. Verifique la operación de los aspersores. Para avanzar a través de las estaciones, oprima ***1**; para retroceder a través de las estaciones, oprima ***2**. Para terminar la prueba, oprima ***9**, luego el código de dirección del satélite de 3 dígitos y el código de comando **7520 #**.

Tabla 2 - Códigos de comando del aparato de radio manual (continuación de la página 6)

Nota: siempre que ingrese comandos desde el teclado de la estación base, use la tecla de guión (-) en vez de la tecla de estrella (*).

Código Descripción de la operación

7510 Apaga estaciones individuales; por ejemplo, 7510 01 02 11 apaga las estaciones 1, 2 y 11.

7511 Enciende estaciones individuales; por ejemplo, 7511 01 02 11 enciende las estaciones 1, 2 y 11.

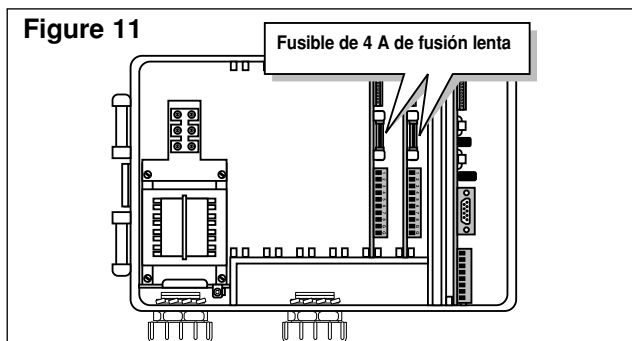
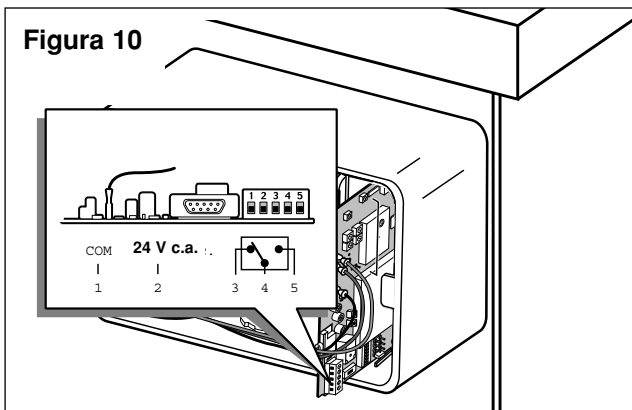
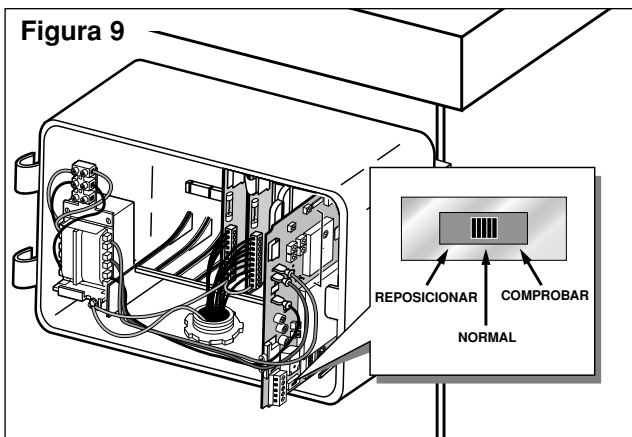
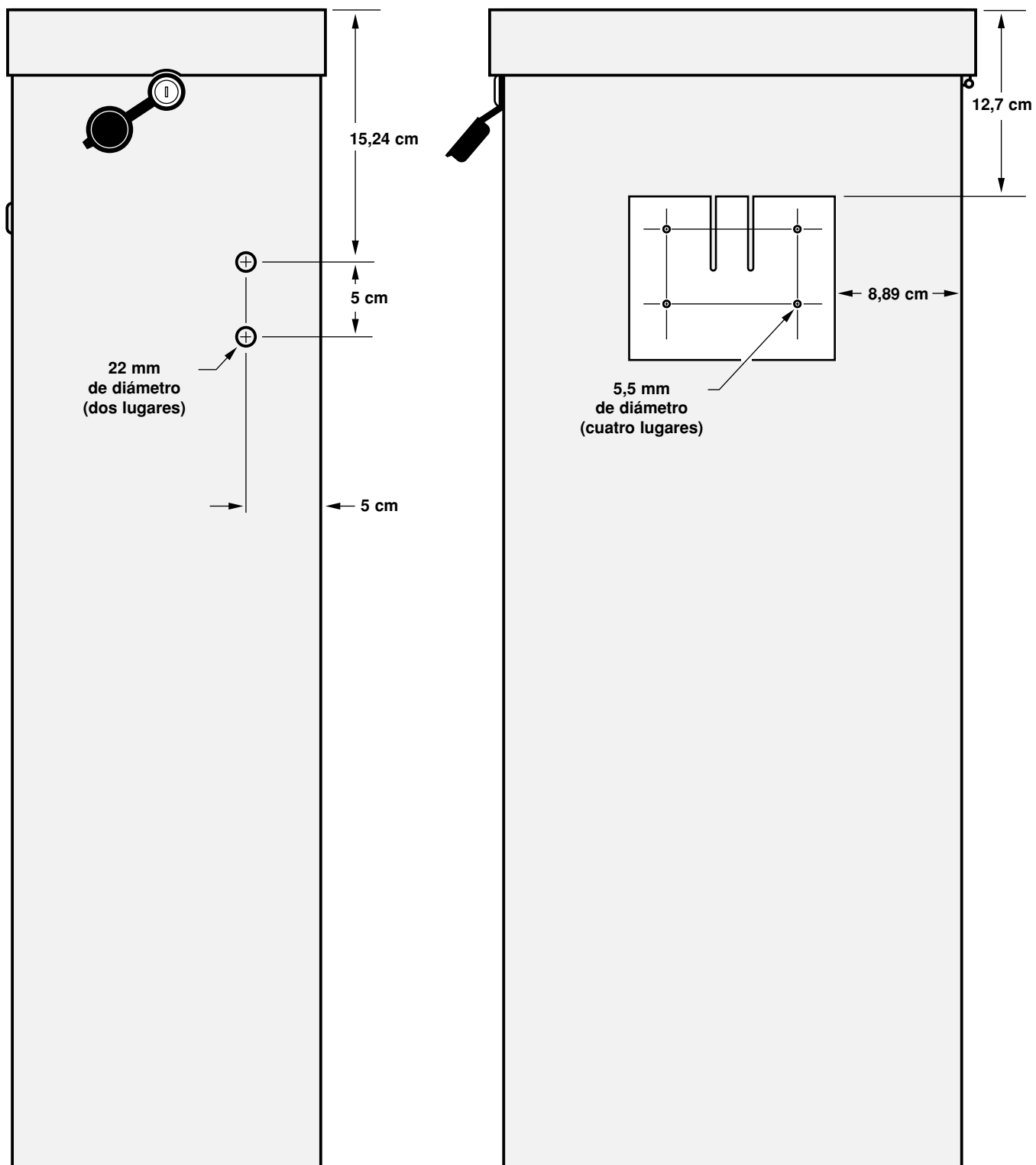


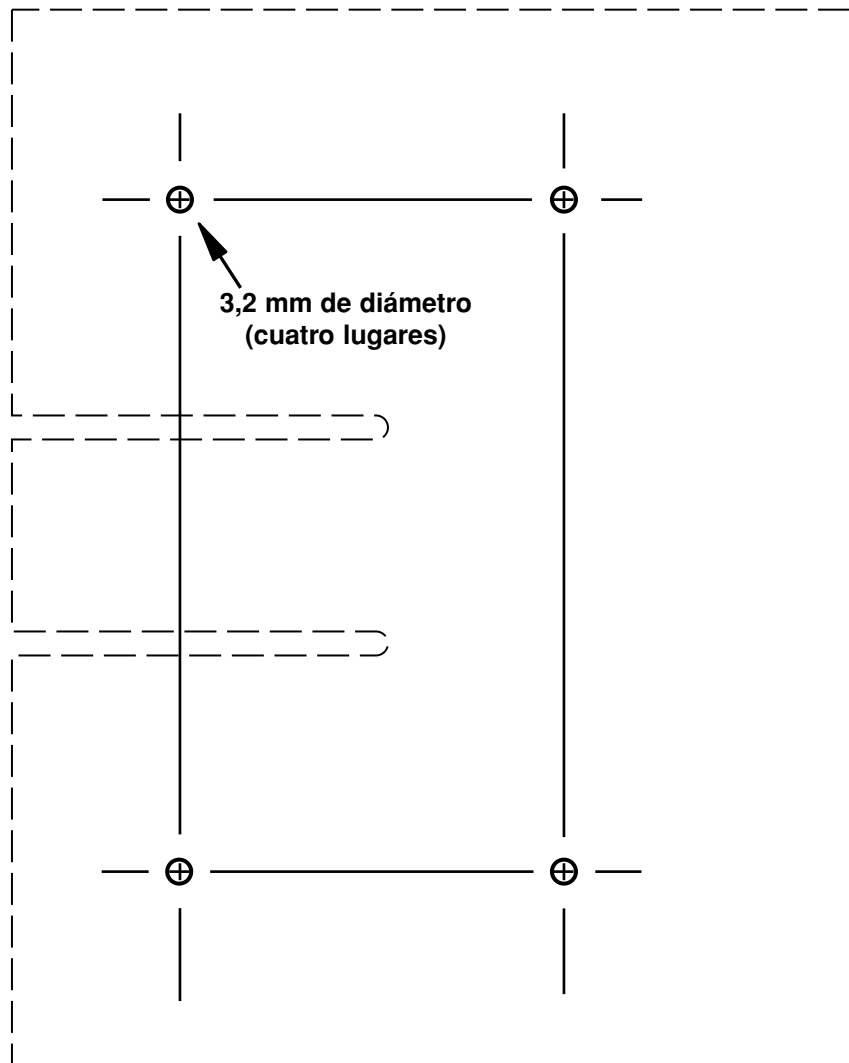
Tabla 2 - Códigos de comando del aparato de radio manual (continuación de la página 5)

Código	Descripción de la operación
7512	Inicia un riego de refresco en estaciones individuales durante un tiempo predeterminado. Use el comando 8006 01 para establecer el tiempo del riego de refresco; por ejemplo, 7512 01 02 enciende las estaciones 1 y 2 durante el tiempo especificado.
7513	Inhabilita estaciones individuales; por ejemplo, 7513 01 03 inhabilita las estaciones 1 y 3. Después de este comando, los comandos de encender y apagar serán ignorados por las estaciones 1 y 3 hasta que estas estaciones hayan sido rehabilitadas (vea 7514).
7514	Habilita estaciones individuales; por ejemplo, 7514 01 03 habilita las estaciones 1 y 3.
7515	Inicia un riego de refresco secuencial en una gama especificada de estaciones; por ejemplo, 7515 05 11 iniciará un riego de refresco en las estaciones 5 a 11 secuencialmente. El comando 8006 01 establece el tiempo del riego de refresco.
7516	Inicia un riego de refresco secuencial en estaciones individuales; por ejemplo, 7516 10 11 inicia un riego de refresco en las estaciones 10 y 11. Nota: también pueden activarse múltiples grupos de riego de refresco. Ingrese dos estrellas entre las estaciones para designar grupos de riego de refresco separados; por ejemplo, 7516 10 11 * * 22 24 26 28 activará dos riegos de refresco al mismo tiempo. La primera selección en las estaciones 10 y 11 y la segunda selección en las estaciones 22, 24, 26 y 28.
7517	Enciende estaciones individuales durante un número especificado de horas, minutos y segundos; por ejemplo, 7517 01 30 00 05 06 09 enciende las estaciones 5, 6 y 9 durante 1 hora, 30 minutos y 0 segundos.
7518	Enciende estaciones individuales durante un número especificado de minutos; por ejemplo, 7518 10 05 06 enciende las estaciones 5 y 6 durante 10 minutos.
7520	Apaga una operación de riego secuencial de estaciones (iniciada por el código de comando 7521).
7521	Enciende una operación de riego secuencial de estaciones; por ejemplo, 7521 01 enciende la estación 1. Para avanzar a través de las estaciones, oprima * 1; para retroceder a través de las estaciones, oprima * 2.
7522	Avanza a la siguiente estación predeterminada en una operación secuencial; por ejemplo, 7522 02 agregará 02 al número de la estación que esté regando actualmente y activará el nuevo número de estación. La operación secuencial se detendrá cuando el nuevo número exceda de 64.
7523	Retrocede a la previa estación predeterminada en una operación secuencial; por ejemplo, 7523 03 activará la estación que esté a 3 estaciones antes de la estación activada actualmente. La operación secuencial se detendrá cuando el número de la estación alcance el nuevo número de estación menos 1.
7524	Enciende estaciones individuales como si fueran interruptores; es decir, no activa la bomba simultáneamente. Nota: no apagará la bomba si ésta ya está funcionando; por ejemplo, 7524 01 03 11 encenderá las estaciones 1, 3 y 11 sin activar la bomba.
7525	Enciende estaciones individuales como si fueran interruptores durante un tiempo determinado de minutos; es decir, no activa la bomba simultáneamente en esta serie de comandos, el tiempo de riego se ingresa primero y luego se ingresan los números de las estaciones; por ejemplo, 7525 25 05 11 enciende las estaciones 5 y 11 durante 25 minutos sin activar la bomba.
7526	Enciende estaciones individuales como si fueran interruptores durante un tiempo determinado de horas, minutos y segundos. En esta serie de comandos, el tiempo de riego se ingresa primero y luego se ingresan los números de las estaciones; por ejemplo, 7526 02 30 45 05 06 07 enciende las estaciones 5, 6 y 7 durante 2 horas, 30 minutos y 45 segundos.
7540	Apaga todas las estaciones (de este satélite solamente).
7542	Apaga todas las estaciones usando el procedimiento de paro secuencial.
7543	Inhabilita todas las estaciones en todos los satélites (paro por lluvia). Nota: el código de dirección de satélite 256 no se usa con los códigos de comando 7543 ó 7544. Las estaciones no responderán a ningún comando adicional hasta que se habiliten.
7544	Habilita la operación de todas las estaciones en todos los satélites. Vea la Nota arriba.
7546	Inicia un riego de refresco secuencial en todas las estaciones durante un tiempo establecido; por ejemplo, 7546 enciende todas las estaciones durante el número predeterminado de intervalos de 30 segundos, según se ha definido en el tiempo de riego de refresco.
7800	Inhabilita el relé remoto del módulo descodificador de frecuencias.
7801	Habilita el relé remoto del módulo descodificador de frecuencias.
7810	Apaga el relé remoto del módulo descodificador. Reanuda la función de la unidad del satélite.
7811	Enciende el relé remoto del módulo descodificador. Inhabilita la función de la unidad del satélite.
8000	Inhabilita el arranque de la bomba.
8001	Habilita el arranque de la bomba y lo asigna a una estación; por ejemplo, 8001 10 asigna el arranque de bomba a la estación 10.
8003 00	Inhabilita la operación y apaga todas las estaciones del el satélite con un paro secuencial.
8003 01	Habilita la operación de todas las estaciones del satélite.
8004	Cambia la contraseña; por ejemplo, 8004 7531 6108 cambia la contraseña preestablecida en fábrica (7531) a 6108.
8006 01	Establece el riego de refresco a intervalos de 30 segundos; por ejemplo, el código 8006 01 0100 (sin contraseña) o 8006 pppp 01 0100 (con contraseña) establece el tiempo de riego a 100 intervalos (50 minutos). El número de intervalos debe indicarse con cuatro dígitos y ha de estar precedido por ceros, pero la cifra total no puede ser mayor de 0255.
8006 02	Establece el límite de desconexión a intervalos de 30 minutos. Este límite debe especificarse usando cuatro dígitos y ha de estar precedido por ceros, pero la cifra total no puede ser mayor de 0255; por ejemplo, 8006 02 0060 (sin contraseña) o 8006 pppp 02 0060 (con contraseña) establece el límite de desconexión a 30 horas.
8006 03	Habilita/inhabilita la contraseña. Use 8007 03 01 para habilitar la protección de la contraseña o 8007 03 00 para cancelar la protección de la contraseña.
8007 03 00	Comando para inhabilitar la contraseña. Cancela el requisito de ingresar la contraseña cada vez que se ingresa un comando.
8007 03 01	Comando para habilitar la contraseña. Una vez activado, todos los comandos requerirán el ingreso de la contraseña.
8008	Configura las estaciones como interruptores. Las estaciones pueden especificarse individualmente y en combinación con una gama de estaciones usando la tecla de estrella; por ejemplo, 8008 01 03 08 * 11 configura las estaciones 1, 3 y 8 hasta la 11 como interruptores.
8009	Configura estaciones para el riego. Las estaciones pueden especificarse individualmente y en combinación con una gama de estaciones usando la tecla de estrella; por ejemplo, 8009 01 03 08 * 11 configura las estaciones 1, 3 y 8 hasta la 11 para recibir riego.
8011	Reposiciona EPROM a los valores preestablecidos en fábrica.
* 1	Envía el comando 752201 al último satélite usado. Aumenta en uno el número de la estación en la modalidad de prueba.
* 2	Envía el comando 752301 al último satélite usado. Apaga la estación actual en comprobación y reduce en uno el número de la estación en la modalidad de prueba.
* 4	Envía el comando 7540 al último satélite usado. Apaga todas las estaciones.

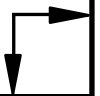
**Figura 13 - Detalles de la instalación de la unidad RDR.
Para la instalación en el exterior del satélite.**



**Figura 14 - Plantilla de montaje de la unidad RDR.
Para la instalación en el interior del satélite.**



Alinear con la esquina inferior derecha de la placa trasera.



L'installation de l'unité basse tension RDR (récepteur radio de données) vous permet de télécommander votre programmeur de satellite Vari-Time 4000 existant au moyen d'une radio portative DTMF et/ou d'un poste de base OSMAC. Le présent document indique les procédures d'installation recommandées et décrit le fonctionnement du système RDR.



AVERTISSEMENT

TOUT LE CÂBLAGE ABOUTISSANT AU PROGRAMMATEUR DE SATELLITE EXISTANT DOIT ÊTRE CONFORME AUX RÈGLEMENTS DE SÉCURITÉ EN VIGUEUR. TORO NE SAURA ÊTRE TENUE RESPONSABLE EN CAS DE BLESSURES OU DE DÉGÂTS MATÉRIELS RÉSULTANT DE L'INSTALLATION INCORRECTE DU PROGRAMMATEUR.

DÉBRANCHER L'ALIMENTATION 120/240 Vc.a. LORS DES INTERVENTIONS DE MAINTENANCE OU DE RÉPARATION DU SYSTÈME D'ARROSAGE EXISTANT. LE SYSTÈME D'ARROSAGE COMPREND LES ARROSEURS, LES VANNES, LES SOLÉNOÏDES, LA TUYAUTERIE, LES FILS ÉLECTRIQUES RELIANT LES ÉLÉMENTS ET LE PROGRAMMATEUR. IL EXISTE SINON DES RISQUES DE BLESSURE GRAVE OU D'ÉLECTROCUTION.

ATTENTION : Sauf si cela est prévu par un contrat distinct entre Toro et l'acheteur (utilisateur final) initial, Toro ne garantit pas l'installation, la maintenance ou la réparation du système dans lequel est utilisée l'unité RDR. Toro n'est tenue à aucune obligation eu égard à la conception, à l'installation et à la maintenance du système. Consultez un électricien qualifié en ce qui concerne l'installation et la conception.

L'acheteur-utilisateur final est responsable de l'obtention d'une licence radio visant l'utilisation de ce matériel.

Installation de l'unité RDR

1. Déverrouillez et enlevez le capot d'accès avant du coffret du satellite.
 2. En cas d'installation de l'unité RDR à l'arrière du coffret (méthode recommandée), reportez-vous aux dimensions indiquées à la **figure 13**. En cas d'installation de l'unité RDR sur la plaque de montage arrière à l'intérieur du coffret, détachez la dernière page du présent document et servez-vous de la **figure 14** comme gabarit pour marquer l'emplacement des quatre trous de vis.
- Remarque :** L'unité RDR emploie une antenne intégrée montée sur le module de décodeur de fréquences. Si l'unité RDR est installée à l'intérieur du coffret ou si les conditions ambiantes sont telles qu'une autre antenne est nécessaire, on pourra se procurer le kit d'adaptateur d'antenne facultatif (réf. 102-1204).
3. Positionnez le gabarit ou marquez l'emplacement des trous conformément aux dimensions indiquées. Percez les trous de la manière indiquée sur les figures.
 4. Repérez le support de montage amovible à l'arrière de l'unité RDR. Repoussez la languette de verrouillage et dégagez le support en le faisant glisser.
 5. En cas d'installation du support de montage à l'arrière du coffret du satellite, utilisez les écrous, rondelles et vis mécaniques #10-32 fournis comme indiqué à la **figure 1**. En cas d'installation à l'intérieur du coffret, fixez le support de montage à la plaque arrière à l'aide des vis à tôle autotaraudeuses fournies comme indiqué à la **figure 2**.
 6. Glissez l'unité RDR sur le support de montage jusqu'à ce que la languette de verrouillage du support s'enclenche sur le boîtier de l'unité.

Figure 1

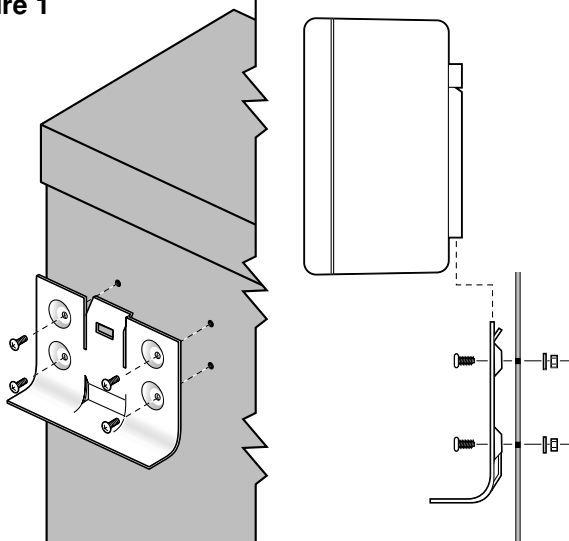


Figure 2

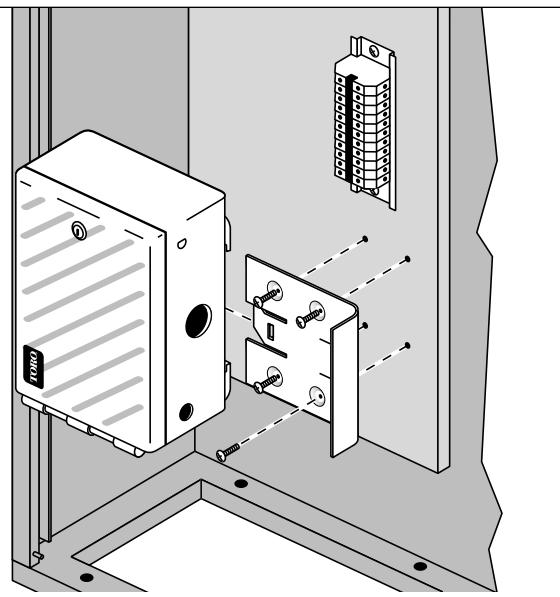
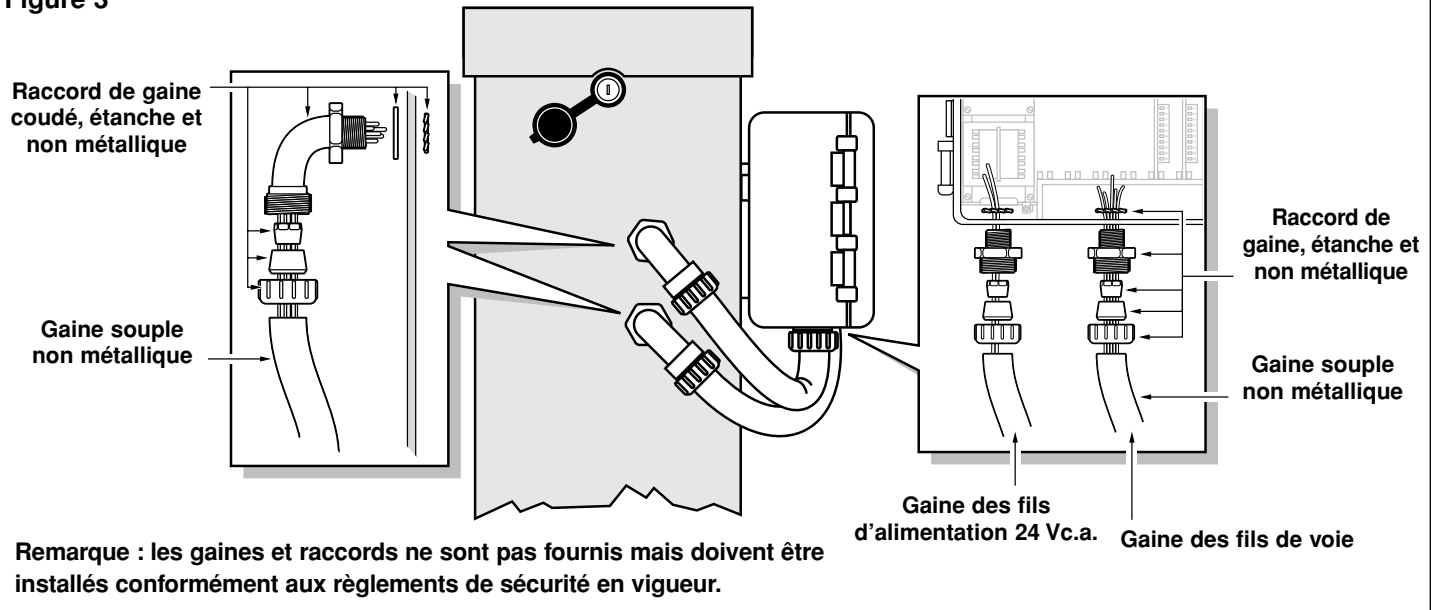


Figure 3

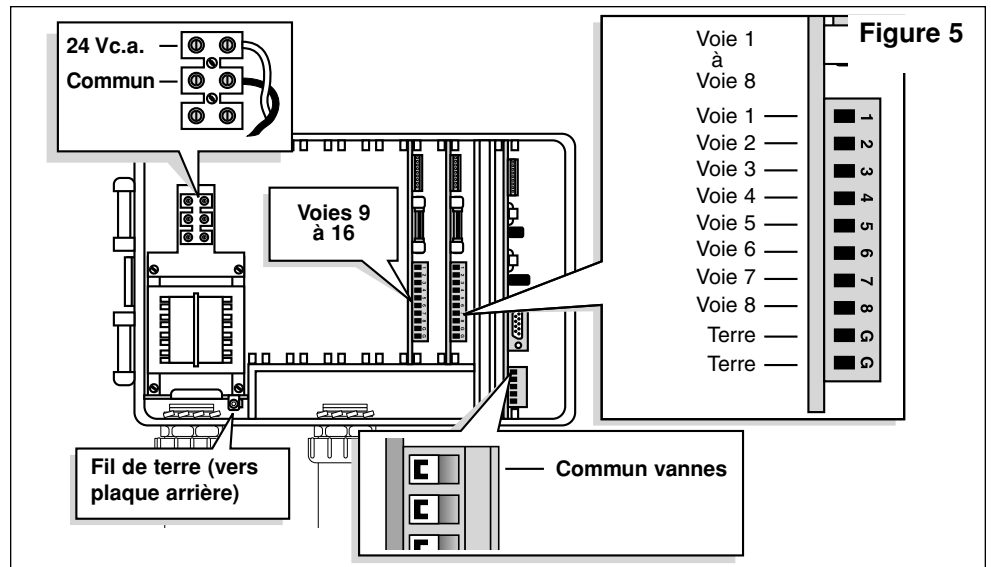
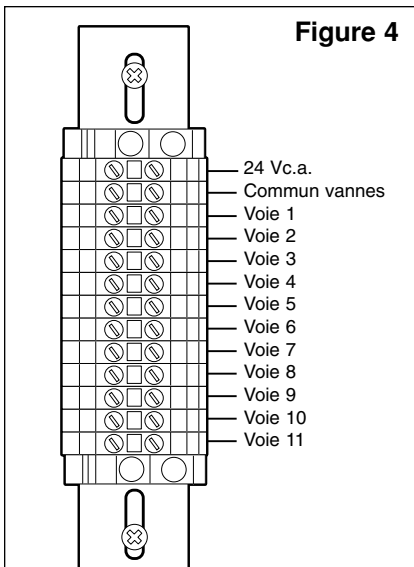


Installation des fils de voies et des fils d'alimentation

1. Déconnectez la source d'alimentation principale du programmeur de satellite existant.
2. Déverrouillez le capot avant du coffret du satellite et la porte de l'unité RDR pour accéder aux bornes de voies.
3. En cas d'installation extérieure, posez une gaine flexible étanche de 13 mm entre le coffret du satellite et l'unité RDR. Voir **figure 3**. Des gaines distinctes doivent être installées pour les fils d'alimentation 24 Vc.a. et les fils de voies.
4. En utilisant du fil de cuivre torsadé 14–16 AWG (2,5–1,5 mm²), acheminez les fil de voies individuels et les fils communs de vanne de la plaquette à bornes du satellite à l'unité RDR. Étiquetez et identifiez chacun des fils en vue de leur connexion aux bornes de sortie RDR.
5. Connectez chaque fil de voie et le fil commun de vanne à la borne de voie RDR correspondante. Autrement dit, connectez la voie 1 du satellite à la voie 1 de l'unité RDR, et ainsi de suite. Les **figures 4 et 5** indiquent la configuration des bornes du satellite et de l'unité RDR respectivement.
6. Acheminez les fils de l'alimentation 24 Vc.a. et du circuit commun depuis la plaquette à bornes et connectez-les aux bornes du transformateur RDR. Voir **figure 5**.

Remarque : L'unité RDR exige une alimentation 24 Vc.a. En cas d'installation sur un programmeur autre que le VT 4000, utilisez une alimentation 24 Vc.a. provenant du programmeur ou d'une source externe afin de brancher le transformateur RDR.

⚠ ATTENTION : Il est possible de connecter un maximum de trois électrovannes à chaque voie, à condition de ne pas dépasser une sortie de 0,75 A par voie. Durant l'exploitation, le nombre d'électrovannes pouvant fonctionner simultanément est limité à 5, à condition de ne pas dépasser une consommation de 1,25 A. Si ces limites sont dépassées, le matériel risque d'être endommagé.



Mise à la terre

1. Acheminez le fil de terre vert de la plaquette à bornes du transformateur de l'unité RDR à la plaque arrière du coffret. Fixez la cosse circulaire du fil de terre à la plaque arrière à l'aide de la vis à tôle autotaraudeuse fournie. Voir **figure 6**.
2. Enlevez l'écrou de blocage situé dans l'angle inférieur droit de la plaque arrière. Posez la rondelle d'arrêt, l'œillet de mise à la terre et l'écrou de blocage. Serrez fermement. Voir **figure 6**.
3. Raccordez l'œillet de mise à la terre à un dispositif de mise à la terre en utilisant du fil de cuivre nu 6 AWG (10mm²). Évitez de former des boucles de rayon inférieur à 20 cm.

⚠ Important : Assurez-vous que le satellite est correctement branché à un dispositif de mise à la terre tel qu'une tige à gaine de cuivre de 16 mm x 2,5 m plantée dans la terre à 2,5-3,7 m du satellite. Le haut de la tige de terre devrait être enterré à une profondeur de 30,5 cm. Mesurez la résistance de terre avec un appareil d'essai prévu à cet effet : une résistance nulle est optimale, une résistance comprise entre 0 et 10 ohms est satisfaisante et une résistance comprise entre 11 et 30 ohms est acceptable dans la plupart des cas. Au-delà de 30 ohms, installez une seconde tige de terre à une distance égale au double de la longueur de la première tige, soit 4,9 m. Raccordez les tiges de terre avec du fil de cuivre nu 6 AWG (10mm²) et mesurez à nouveau la résistance de terre. Si elle reste élevée, demandez assistance à votre revendeur Toro.

Sélection de la fréquence radio du décodeur

Le module de décodeur de fréquences en bande étroite permet de stocker quatre fréquences radio pouvant être sélectionnées par l'utilisateur. Les fréquences sont programmées par le fabricant ou par le revendeur avant la livraison de l'unité RDR. Un jeu de cavaliers situé sur le module de décodeur de fréquences RDR permet de sélectionner la fréquence en plaçant le cavalier sur les broches appropriées. Voir **figure 7**.

Les fréquences préprogrammées sont les suivantes :

- Canal 1 = 462,2125 MHz
- Canal 2 = 462,4375 MHz
- Canal 3 = 467,2125 MHz
- Canal 4 = 467,4375 MHz

Remarque : Il arrive que, dans certains lieux, les quatre fréquences préprogrammées ne soient pas utilisables. Le kit de programmation de fréquence (réf. 102-1208) permet à l'utilisateur de programmer toute fréquence disponible.

⚠ Important : L'émetteur du poste de base, la radio portable et le module de décodeur de fréquence RDR doivent être réglés à la même fréquence pour pouvoir communiquer.

Affectation du numéro d'adresse de satellite

Chaque satellite nécessite un numéro d'adresse à trois chiffres pour pouvoir communiquer avec le programmeur central et/ou une radio portable. Les numéros d'adresse vont de 1 (001) à 255 et se règlent au moyen des commutateurs DIP du module de décodeur de fréquence. Voir **figure 8**.

Abaissés, les commutateurs sont en position d'arrêt (ouverts) et représentent une valeur nulle (0). En position de marche, les commutateurs sont ouverts et représentent les numéros d'adresse suivants :

- Comm. 1 = 1 Comm. 2 = 2 Comm. 3 = 4 Comm. 4 = 8**
Comm. 5 = 16 Comm. 6 = 32 Comm. 7 = 64 Comm. 8 = 128

Pour définir le numéro d'adresse du satellite, commencez par repérer l'adresse voulue dans le **tableau 1** (page 4). Réglez ensuite chaque commutateur en position de marche ou d'arrêt, comme indiqué sur la matrice.

Exemple : Pour définir le numéro d'adresse de satellite 50 (050), réglez les huit commutateurs DIP en position d'arrêt (ouverts), puis réglez les commutateurs 2, 5 et 6 en position de marche (**2 [2] + 16 [5] + 32 [6] = 50**). Voir **figure 8**.

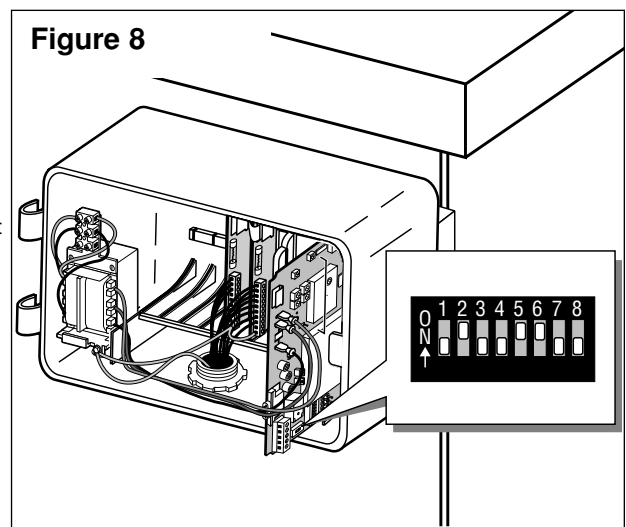
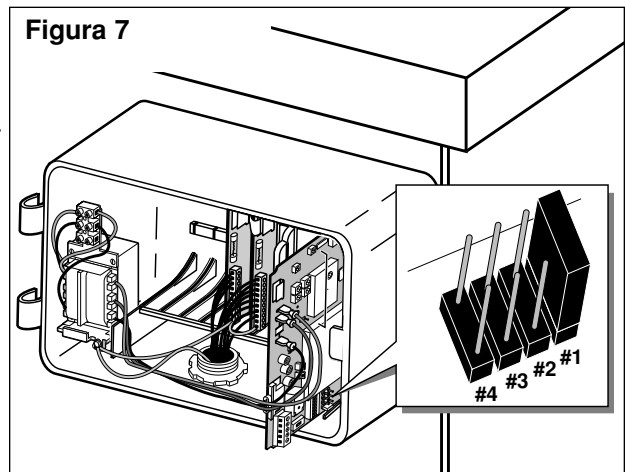
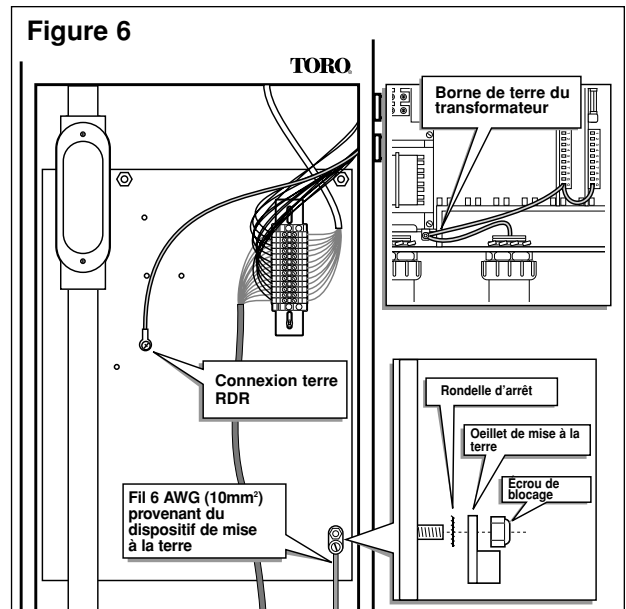


Tableau 1 - Configurations d'adresse des commutateurs DIP

N° commutateur DIP		● = MARCHÉ □ = ARRÊT							
		1	2	3	4	5	6	7	8
001	●	●							
002		●							
003	●	●							
004			●						
005	●		●						
006		●	●						
007	●	●	●						
008				●					
009	●			●					
010		●		●					
011	●	●		●					
012			●	●					
013	●		●	●					
014	●	●	●	●					
015	●	●	●	●					
016					●				
017	●				●				
018		●			●				
019	●	●			●				
020			●	●					
021	●		●	●					
022		●	●	●					
023	●	●	●	●					
024			●	●	●				
025	●		●	●	●				
026		●	●	●	●				
027	●	●	●	●	●				
028			●	●	●				
029	●	●	●	●	●				
030	●	●	●	●	●				
031	●	●	●	●	●				
032					●				
033	●				●				
034		●			●				
035	●	●			●				
036			●		●				
037	●	●	●		●				
038		●	●		●				
039	●	●	●		●				
040				●	●				
041	●			●	●				
042		●		●	●				
043	●	●		●	●				
044			●	●	●				
045	●	●		●	●				
046	●	●	●	●	●				
047	●	●	●	●	●				
048				●	●				
049	●			●	●				
050		●		●	●				
051	●	●		●	●				
052		●		●	●				
053	●		●	●	●				
054		●	●	●	●				
055	●	●		●	●				
056			●	●	●				
057	●		●	●	●				
058		●		●	●				
059	●	●	●	●	●				
060			●	●	●				
061	●		●	●	●				
062		●	●	●	●				
063	●	●	●	●	●				
064						●			
065	●					●			
066		●				●			
067	●	●				●			
068			●			●			
069	●		●			●			
070		●	●			●			
071	●	●	●			●			
072				●		●			
073	●		●			●			
074		●	●			●			
075	●	●	●	●		●			
076			●	●		●			
077	●	●	●	●		●			
078		●	●	●		●			
079	●	●	●	●		●			
080				●	●				
081	●			●	●				
082		●		●	●				
083	●	●		●	●				
084			●	●	●				
085	●	●	●	●	●				
086		●	●	●	●				
087	●	●	●	●	●				
088			●	●	●				
089	●		●	●	●				
090		●	●	●	●				
091	●	●	●	●	●				
092			●	●	●				
093	●		●	●	●				
094		●	●	●	●				
095	●	●	●	●	●				
096					●				
097	●				●				
098		●			●				
099	●	●			●				
100			●		●				
101	●		●		●				
102	●	●		●	●				
103	●	●		●	●				
104			●	●	●				
105	●		●	●	●				
106		●		●	●				
107	●	●		●	●				
108			●	●	●				
109	●	●	●	●	●				
110		●	●	●	●				
111	●	●	●	●	●				
112				●	●				
113	●			●	●				
114		●		●	●				
115	●	●		●	●				
116			●	●	●				
117	●	●		●	●				
118		●	●	●	●				
119	●	●	●	●	●				
120			●	●	●				
121	●		●	●	●				
122		●	●	●	●				
123	●	●		●	●				
124			●	●	●				
125	●	●	●	●	●				
126		●	●	●	●				
127	●	●	●	●	●				
128						●			
129	●					●			
130		●				●			
131	●	●				●			
132			●			●			
133	●		●			●			
134		●				●			
135	●	●	●			●			
136			●			●			
137	●		●			●			
138		●				●			
139	●	●	●			●			
140			●	●		●			
141	●	●	●	●		●			
142		●	●	●	●				
143	●	●	●	●		●			
144				●		●			
145	●			●		●			
146		●		●		●			
147	●	●		●		●			
148			●	●		●			
149	●	●	●	●		●			
150		●	●	●		●			
151	●	●	●	●		●			
152			●	●		●			
153	●		●	●		●			
154		●	●	●		●			
155	●	●	●	●		●			
156			●	●	●				
157	●		●	●	●				
158		●	●	●	●				
159	●	●	●	●	●				
160					●				
161					●	●			
162		●				●			
163	●	●			●	●			
164			●		●	●			
165	●	●			●	●			
166		●	●		●	●			
167	●	●	●	●	●				
168			●	●	●	●			
169	●		●	●	●	●			
170		●	●	●	●	●			
171	●	●	●	●	●	●			
172			●	●	●	●			
173	●		●	●	●	●			
174		●	●	●	●	●			
175	●	●	●	●	●	●			
176				●	●	●			
177	●		●	●	●	●			
178		●				●			
179	●	●		●	●	●			
180			●	●	●	●			
181	●	●	●	●	●	●			
182		●	●	●	●	●			
183	●	●	●	●	●	●			
184			●	●	●	●			
185	●		●	●	●	●			
186		●	●	●	●	●			
187	●	●	●	●	●	●			
188		●	●	●	●	●			
189	●	●	●	●	●	●			
190		●	●	●	●	●			
191	●	●	●	●	●	●			
192						●			
193	●					●			
194		●				●			
195	●	●				●			
196			●			●			
197	●		●			●			
198		●	●			●			
199	●	●	●	●	●	●			
200			●			●			
201	●		●			●			
202		●	●			●			
203	●	●	●	●	●	●			
204		●	●	●	●	●			
205	●	●	●	●	●	●			
206		●	●	●	●	●			
207	●	●	●	●	●	●			
208				●	●	●			
209	●			●	●	●			
210		●		●	●	●			
211	●	●		●	●	●			
212			●	●	●	●			
213	●		●	●	●	●			
214		●	●	●	●	●			
215	●	●	●	●	●	●			
216			●	●	●	●			
217	●		●	●	●	●			

Exécution d'un autotest du circuit de commande

La fonction d'autotest permet de vérifier que divers circuits importants de commande de satellite sont opérationnels.

Pour lancer le test, réglez le commutateur **TEST/RESET** (Test/Réinit.), situé sur le module de décodeur de fréquence, sur **TEST** (voir **figure 9**). La vérification commence immédiatement et se répète jusqu'à ce que le commutateur **TEST/RESET** soit remis à la position **NORMAL**.

Remarque : La position **RESET** rétablit le paramétrage par défaut (réglages usine) du microprocesseur du décodeur de fréquence. Pour effectuer cette réinitialisation, il faut que le satellite soit mis sous tension alors que le commutateur est réglé sur **RESET**. Remettez le commutateur sur **NORMAL** après 15 secondes de fonctionnement.

Fonction et connexion de relais à distance

Le module de décodeur de fréquence de l'unité RDR est muni d'un relais 5,0 A unipolaire à deux directions, destiné à servir dans les installations d'arrosage qui comportent deux systèmes d'arrosage distincts. Le relais peut être activé par une commande transmise depuis le poste de base ou une radio portable. Toutes les fonctions OSMAC RDR sont alors désactivées tandis que l'autre système d'arrosage entre en service. Une autre commande peut être envoyée au RDR pour désactiver le relais, mettre hors tension l'autre système et rétablir la commande de l'OSMAC RDR. De plus, une commande sert à désactiver cette fonction de manière à ce qu'elle ne puisse pas être accidentellement lancée, tandis qu'une autre commande sert à l'activer. Voir la liste des **Codes de commande** pour plus de détails. L'emplacement des bornes est indiqué à la **figure 10**.

Changement des fusibles

⚠ ATTENTION : Afin d'éviter tout risque d'incendie, remplacez toujours les fusibles par des fusibles de même type présentant des caractéristiques identiques.

L'ensemble transformateur de l'unité RDR et les plaques à bornes de sortie sont dotés de fusibles afin de protéger l'unité contre les dégâts résultant de surtensions et de prélèvement excessif de courant aux bornes de voie. Avant de remplacer un fusible, recherchez la cause du problème, par exemple un fil de voie ou fil de circuit commun en court-circuit ou mal connecté, puis changez le fusible comme suit :

1. Débranchez la source d'alimentation principale du satellite.
2. Déverrouillez l'unité RDR pour accéder à l'ensemble transformateur et/ou aux plaques à bornes de sortie.
3. Enlevez avec soin le fusible fondu de sa pince.
4. Posez un fusible de rechange dans la pince. Utilisez un fusible 2 A à action lente pour l'ensemble transformateur et un fusible 4A à action lente pour les plaques à bornes de sortie.
5. Rétablissez l'alimentation de l'unité RDR.
6. Vérifiez le fonctionnement.
7. Verrouillez l'unité RDR.

Gestion de satellite par radio portable

Le fonctionnement des satellites peut être géré au moyen d'une radio portable dotée d'un clavier DTMF. Les codes de commande de fonctionnement sont indiqués au **tableau 2** ci-dessous et à la page 6.

⚠ Important : L'émetteur du poste de base et/ou la radio portable et le module de décodeur de fréquence RDR doivent être réglés sur la même fréquence pour que les communications soient possibles.

Remarque : Toutes les commandes de fonctionnement doivent commencer par la séquence de touches ***9** suivie du numéro à trois chiffres d'adresse du satellite, puis du code de commande et de chiffres supplémentaires représentant les voies et/ou durées de fonctionnement sélectionnées. Terminez la séquence de commande en appuyant sur la touche **#**. Les numéros des voies **1** à **9** doivent être précédés d'un **0**; autrement dit, entrez **01** pour la voie 1.

Exemple : Vérifiez les communications avec le satellite en donnant la commande de démarrage manuel de voie suivante : entrez ***9**, le code à trois chiffres d'adresse du satellite, le code de commande **7521 01** (voie 1) et **#**. Vérifiez que l'arroseur se met en marche. Entrez ***1** pour passer aux voies suivantes et ***2** pour passer aux voies précédentes. Pour mettre fin au test, entrez ***9**, le code à trois chiffres d'adresse du satellite et le code de commande **7520 #**.

Tableau 2 - Codes de commande par radio portable (suite p.6)

Remarque : Lorsque vous donnez des commandes au moyen du clavier du poste de base, utilisez la touche **-** au lieu de la touche *****.

Code	Description opérationnelle
7510	Ferme des voies individuelles ; par exemple, 7510 01 02 11 ferme les voies 1, 2 et 11.
7511	Ouvre des voies individuelles ; par exemple, 7511 01 02 11 ouvre les voies 1, 2 et 11.

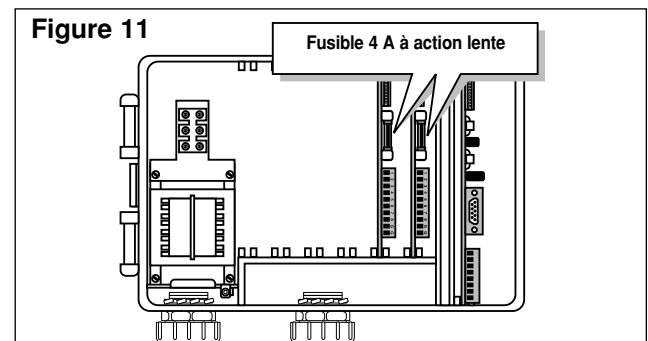
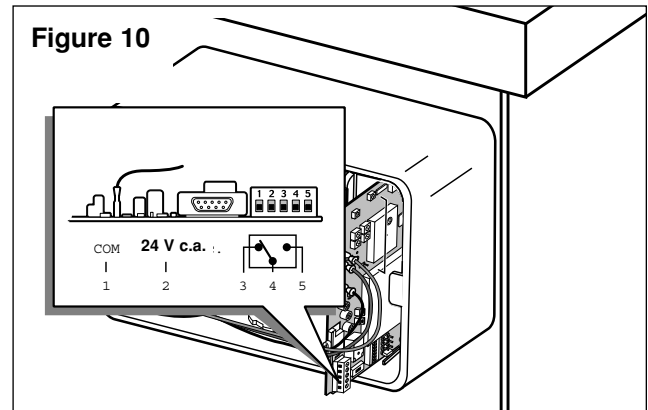
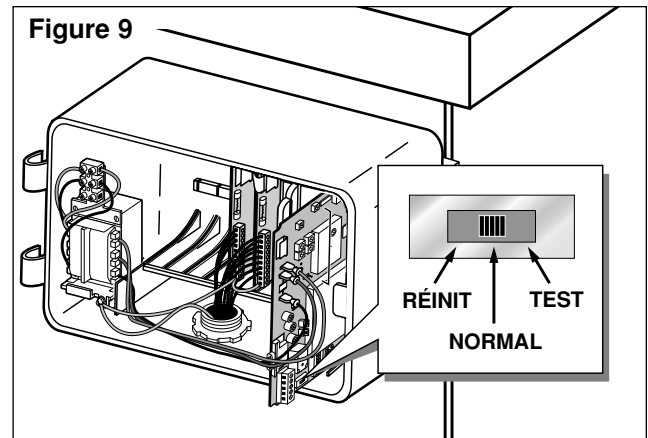


Tableau 2 - Codes de commande par radio portative (suite de la p. 5)

Code	Description opérationnelle
7512	Active un cycle Syringe de voies individuelles pour un temps prédéterminé. Utilisez la commande 8006 01 pour fixer la durée du cycle Syringe ; par exemple, 7512 01 02 ouvre les voies 1 et 2 pendant la durée définie.
7513	Désactive des voies individuelles ; par exemple, 7513 01 03 désactive les voies 1 et 3. Après cette commande, les commandes d'ouverture et de fermeture seront ignorées pour les voies 1 et 3 jusqu'à ce que les voies soient réactivées. (Voir 7514.)
7514	Active des voies individuelles ; par exemple, 7514 01 03 active les voies 1 et 3.
7515	Active un cycle Syringe séquentiel pour un groupe de voies donné ; par exemple, 7515 05 11 active un cycle Syringe séquentiel pour les voies 5 à 11. La commande 8006 01 fixe la durée du cycle Syringe.
7516	Active un cycle Syringe séquentiel de voies individuelles ; par exemple, 7516 10 11 active un cycle Syringe séquentiel pour les voies 10 et 11. Remarque : Des groupes de cycle Syringe peuvent également être définis. Entrez 2 astérisques entre les voies pour désigner de tels groupes ; par exemple, 7516 10 11 * * 22 24 26 28 donne lieu à l'exécution de 2 cycles Syringe, d'abord par les voies 10 et 11, puis par les voies 22, 24, 26 et 28.
7517	Ouvre des voies individuelles pendant une durée déterminée en heures, minutes et secondes ; par exemple, 7517 01 30 00 05 06 09 ouvre les voies 5, 6 et 9 pendant 1 heure, 30 minutes et 0 seconde.
7518	Ouvre des voies individuelles pendant une durée déterminée en minutes ; par exemple, 7518 10 05 06 ouvre les voies 5 et 6 pendant 10 minutes.
7520	Met fin à un fonctionnement séquentiel de voies (lancé par le code de commande 7521).
7521	Lance un fonctionnement séquentiel de voies ; par exemple, 7521 01 ouvre la voie 1. Pour descendre la liste des voies, appuyez sur * 1 ; pour la remonter, appuyez sur * 2.
7522	Fait passer à une voie suivante prédéfinie dans la séquence ; par exemple, 7522 02 ajoute 02 au numéro de voie de la voie fonctionnant à ce moment et active le numéro de voie ainsi obtenu. Le fonctionnement séquentiel prend fin lorsque le nouveau numéro dépasse 64.
7523	Fait passer à une voie précédente prédéfinie dans la séquence ; par exemple, 7523 03 ouvre la voie qui se trouve 3 voies avant celle qui fonctionne à ce moment. Le fonctionnement séquentiel prend fin lorsque le numéro de voie est égal au nouveau numéro de voie moins 1.
7524	Ouvre des voies individuelles en tant que commutateurs ; c'est-à-dire sans mettre simultanément en marche la pompe. Remarque : Si la pompe est déjà en marche, cette commande ne l'arrête pas. Par exemple, 7524 01 03 11 ouvre les voies 1, 3 et 11 sans mettre la pompe en marche.
7525	Ouvre des voies individuelles en tant que commutateurs pendant un nombre de minutes donné ; c'est-à-dire que cette chaîne de commande ne met pas simultanément la pompe en marche ; la durée de fonctionnement est entrée en premier, suivie des numéros de voie ; par exemple, 7525 25 05 11 ouvre les voies 5 et 11 pendant 25 minutes sans mettre la pompe en marche.
7526	Ouvre des voies individuelles en tant que commutateurs pendant un délai fixé en heures, minutes et secondes . Dans cette chaîne de commande, la durée de fonctionnement est entrée en premier, suivie des numéros de voie ; par exemple, 7526 02 30 45 05 06 07 ouvre les voies 5, 6 et 7 pendant 2 heures, 30 minutes et 45 secondes.
7540	Ferme toutes les voies (satellite spécifié uniquement).
7542	Ferme toutes les voies en utilisant la procédure de mise à l'arrêt séquentielle.
7543	Désactive toutes les voies de tous les satellites (arrêt pluie) . Remarque : Le code d'adresse de satellite 256 s'emploie en conjugaison avec le code de commande 7543 ou 7544. Les voies ne répondent à aucune autre commande tant qu'elles ne sont pas réactivées.
7544	Active le fonctionnement de toutes les voies de tous les satellites . Voir la remarque précédente.
7546	Active un cycle Syringe séquentiel de toutes les voies pendant un temps déterminé ; par exemple, 7546 ouvre toutes les voies pendant le nombre déterminé d'intervalles de 30 secondes défini dans le cycle Syringe.
7800	Désactive le relais à distance du module de décodeur de fréquence .
7801	Active le relais à distance du module de décodeur de fréquence .
7810	Désactive le relais à distance du module de décodeur de fréquence . Rétablit la commande de l'unité satellite.
7811	Active le relais à distance du module de décodeur de fréquence . Désactive la commande de l'unité satellite.
8000	Désactive la fonction de démarrage de pompe .
8001	Permet d'affecter à une voie la fonction de démarrage de pompe ; par exemple, 8001 10 affecte la fonction de démarrage de pompe à la voie 10.
8003 00	Désactive le fonctionnement et ferme toutes les voies du satellite selon une mise à l'arrêt séquentielle .
8003 01	Active le fonctionnement de toutes les voies du satellite .
8004	Change le mot de passe ; par exemple, 8004 7531 6108 remplace par 6108 le mot de passe par défaut défini en usine (7531).
8006 01	Fixe la durée du cycle Syringe en intervalles de 30 secondes ; par exemple, 8006 01 0100 (sans mot de passe) ou 8006 pppp 01 0100 (avec mot de passe) fixe la durée du cycle Syringe à 100 intervalles (50 minutes). Le nombre d'intervalles doit contenir 4 chiffres (en commençant au besoin par des 0), mais il ne peut pas dépasser 0255.
8006 02	Fixe la limite de temporisation en intervalles de 30 minutes . Le nombre d'intervalles doit contenir 4 chiffres (en commençant au besoin par des 0), mais il ne peut pas dépasser 0255 ; par exemple, 8006 02 0060 (sans mot de passe) ou 8006 pppp 02 0060 (avec mot de passe) établit la limite de temporisation à 30 heures.
8006 03	Active/désactive le mot de passe . Utilisez 8007 03 01 pour activer la protection par mot de passe ou 8007 03 00 pour l'annuler.
8007 03 00	Commande de désactivation du mot de passe . Annule la nécessité d'entrer le mot de passe avec chaque commande.
8007 03 01	Commande d'activation du mot de passe . Après l'activation, toutes les commandes données nécessitent le mot de passe.
8008	Configure les voies en tant que commutateurs . Les voies peuvent être définies individuellement et par groupes de voies consécutives en utilisant la touche astérisque ; par exemple, 8008 01 03 08 * 11 configure les voies 1, 3 et 8 à 11 comme commutateurs.
8009	Configure les voies pour l'arrosage . Les voies peuvent être définies individuellement et par groupes de voies consécutives en utilisant la touche astérisque ; par exemple, 8008 01 03 08 * 11 configure les voies 1, 3 et 8 à 11 comme voies d'arrosage.
8011	Réinitialise l'EPROM aux paramètres par défaut réglés en usine .
* 1	Envoie la commande 752201 au dernier satellite ayant reçu une commande . Augmente d'une unité le numéro de voie en mode de vérification.
* 2	Envoie la commande 752301 au dernier satellite ayant reçu une commande . Ferme la voie en cours de vérification et diminue son numéro d'une unité pour obtenir le nouveau numéro de voie à vérifier.
* 4	Envoie la commande 7540 au dernier satellite ayant reçu une commande . Ferme toutes les voies.

Figure 13 - Installation détaillée de l'unité RDR -
Installation à l'extérieur du satellite

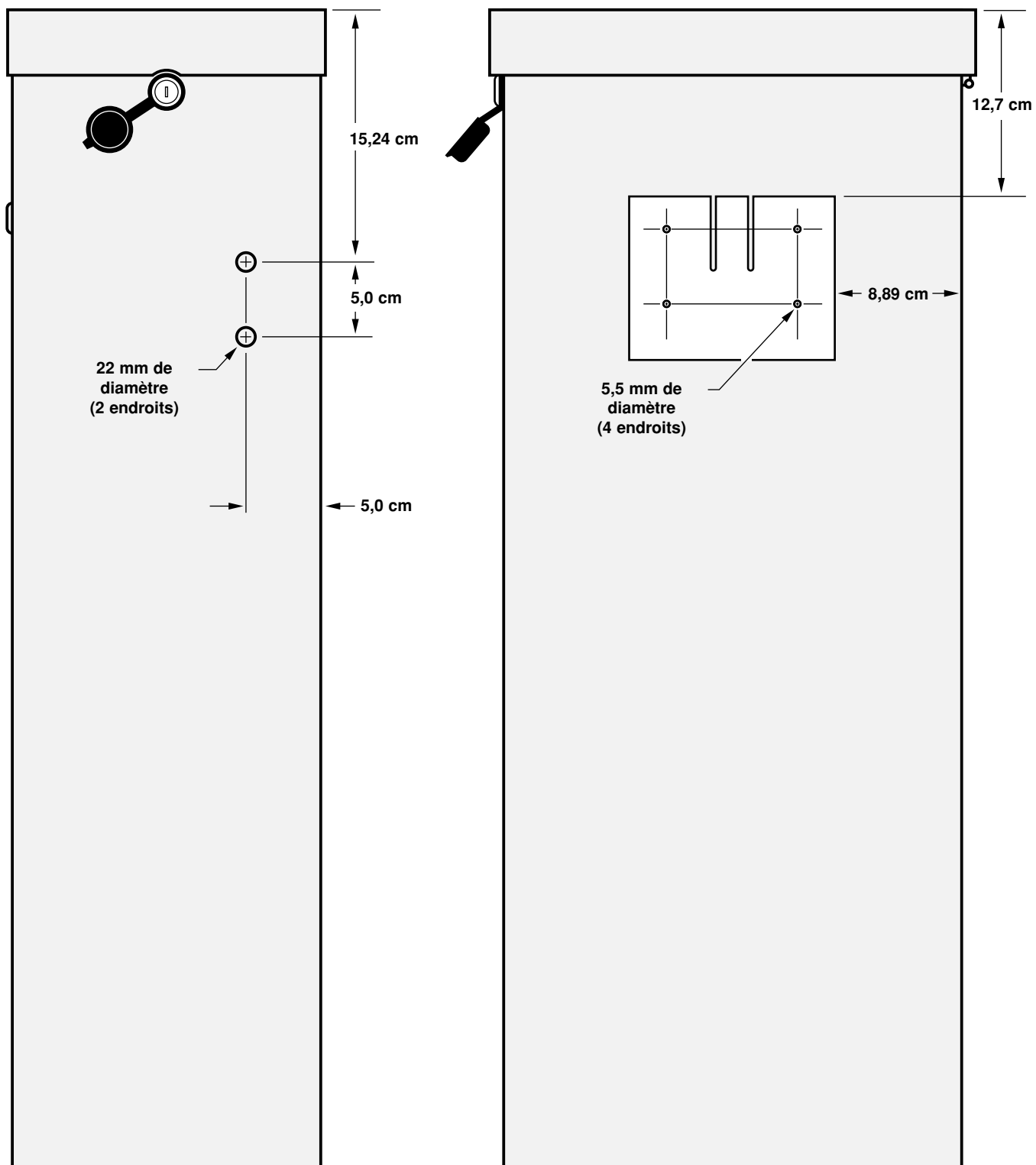
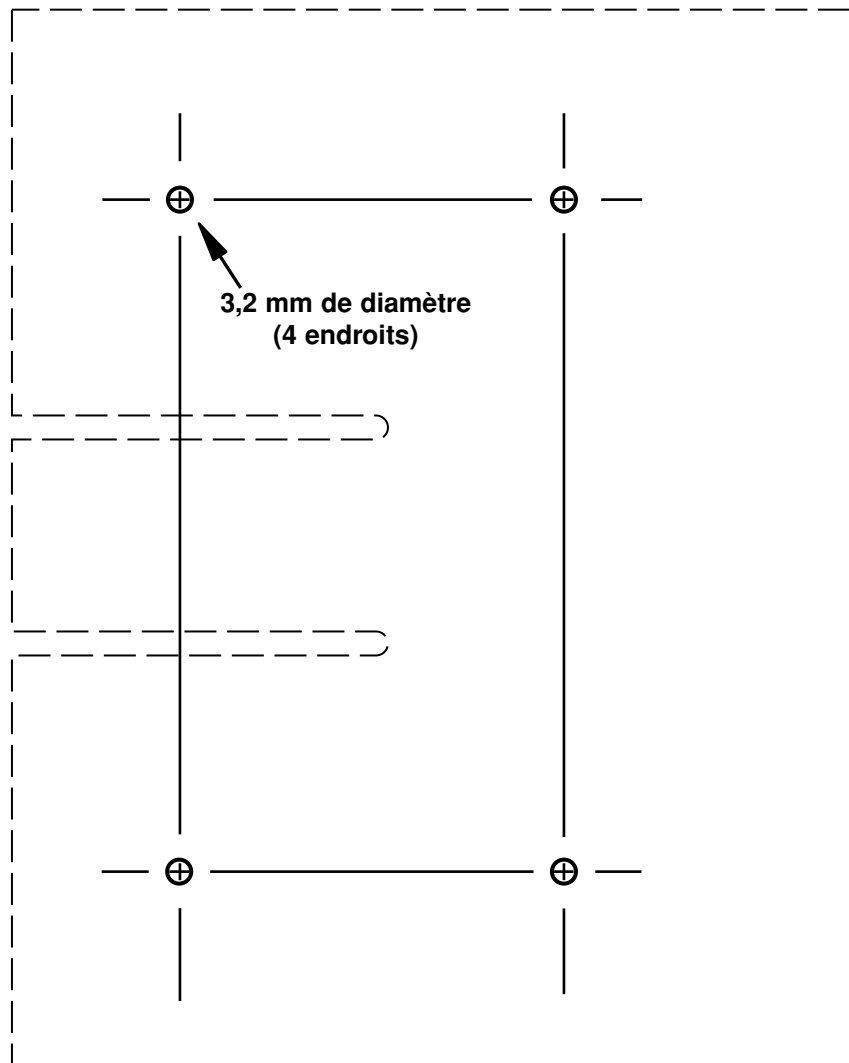


Figure 14 - Gabarit de montage de l'unité RDR - Installation à l'intérieur du satellite



Alignez sur l'angle inférieur droit de la plaque arrière.

Kit di retrofit bassa tensione per RDR di OSMAC®

Parte numero RDR0160LVCE

Manuale per l'utente

L'installazione dell'unità RDR (ricevitore dati radio) a bassa tensione permette di azionare a distanza un programmatore satelliti Vari-Time 4000 usando una radio portatile DTMF e/o una stazione base OSMAC. Questo documento include le procedure consigliate per installare e usare l'intero sistema RDR.



AVVERTENZA

L'IMPIANTO DEL PROGRAMMATORE SATELLITI ESISTENTE DEVE CONFORMARSI ALLE NORME LOCALI E NAZIONALI. TORO NON ASSUME NESSUNA RESPONSABILITÀ PER INFORTUNI O DANNI ALLE APPARECCHIATURE DERIVANTI DA INSTALLAZIONE INCORRETTA DEL PROGRAMMATORE.

QUANDO SI ESEGUONO LAVORI SULL'IMPIANTO DI IRRIGAZIONE ESISTENTE, SCOLLEGARE L'ALIMENTAZIONE IN INGRESSO A 120/240 V C.A. L'IMPIANTO DI IRRIGAZIONE INCLUDE GLI SPRUZZATORI, LE VALVOLE, I SOLENOIDI, LE TUBATURE E I CONDUTTORI TRA GLI ELEMENTI DELL'IMPIANTO E IL PROGRAMMATORE. LA MANCATA OSSERVANZA PUÒ RISULTARE IN INFORTUNI GRAVI O FOLGORAZIONE.

ATTENZIONE: a meno che non esista un accordo separato tra Toro e l'acquirente utente originale, Toro non garantisce l'installazione, la manutenzione o altro lavoro del sistema con il quale viene impiegata l'unità RDR. Toro non assume nessun obbligo per quanto riguarda la progettazione d'impianto, l'installazione e la manutenzione. Per l'installazione e la progettazione, riferirsi a un elettricista qualificato.

L'acquirente utente finale ha la responsabilità di procurarsi la licenza radio richiesta per l'operazione di questa apparecchiatura.

Installazione dell'unità RDR

1. Sbloccare e togliere la copertura anteriore di accesso all'armadietto del satellite.
2. Se l'unità RDR viene installata sul retro dell'armadietto del satellite (metodo preferito), riferirsi alla **Figura 13** per le dimensioni adatte. Se l'unità RDR viene installata sulla piastra di montaggio posteriore all'interno dell'armadietto, rimuovere la pagina in fondo al presente documento e utilizzare la **Figura 14** come mascherina per stabilire la posizione dei quattro fori per le viti.
Nota: l'unità RDR utilizza un'antenna incorporata situata sul gruppo del modulo di frequenza. Se l'unità RDR viene installata all'interno dell'armadietto del satellite, o se le condizioni del posto solo tali da richiedere un'antenna diversa, si potrà usare il kit adattatore di antenna opzionale (P/N 102-1204).
3. Posizionare la mascherina o marcare le misure secondo quanto indicato. Praticare i fori come indicato dalle illustrazioni.
4. Individuare la staffa di montaggio rimovibile sul retro dell'unità RDR. Rilasciare il dispositivo di bloccaggio e far scivolare all'infuori la staffa di montaggio.
5. Quando si installa la staffa di montaggio sul retro dell'armadietto del satellite, usare le viti da macchina #10-32, le rondelle dentate e i dadi in dotazione come indicato nella **Figura 1**. Quando si esegue l'installazione all'interno dell'armadietto, fissare in modo sicuro la staffa sul pannello posteriore usando le viti da metallo autofilettanti fornite, come indicato nella **Figura 2**.
6. Spostare l'unità RDR sulla staffa di montaggio finché il dispositivo di bloccaggio della staffa non faccia presa sulla sede dell'unità RDR.

Figura 1

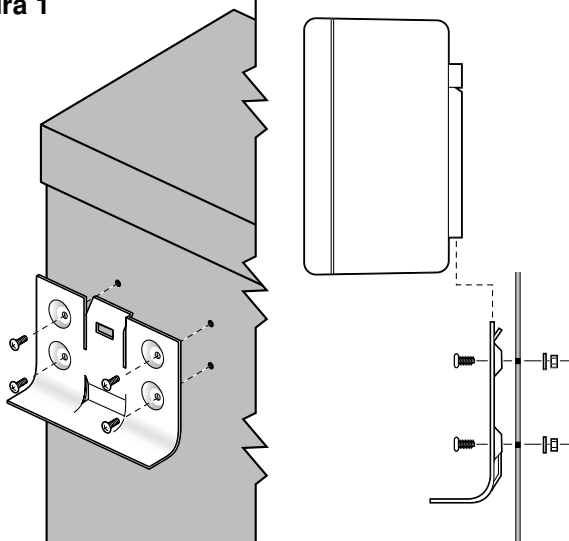


Figura 2

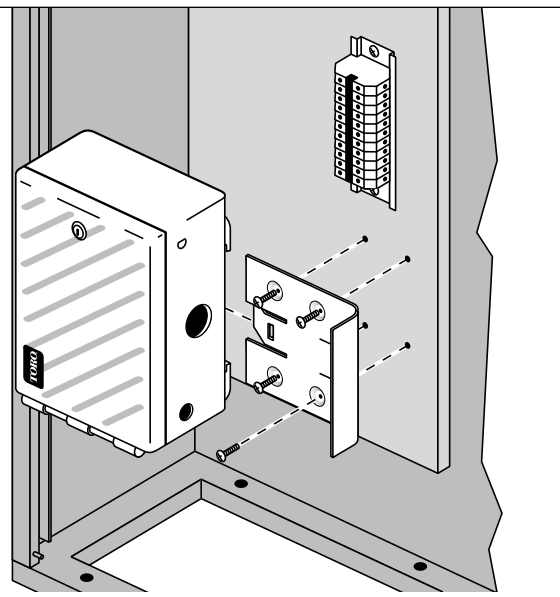
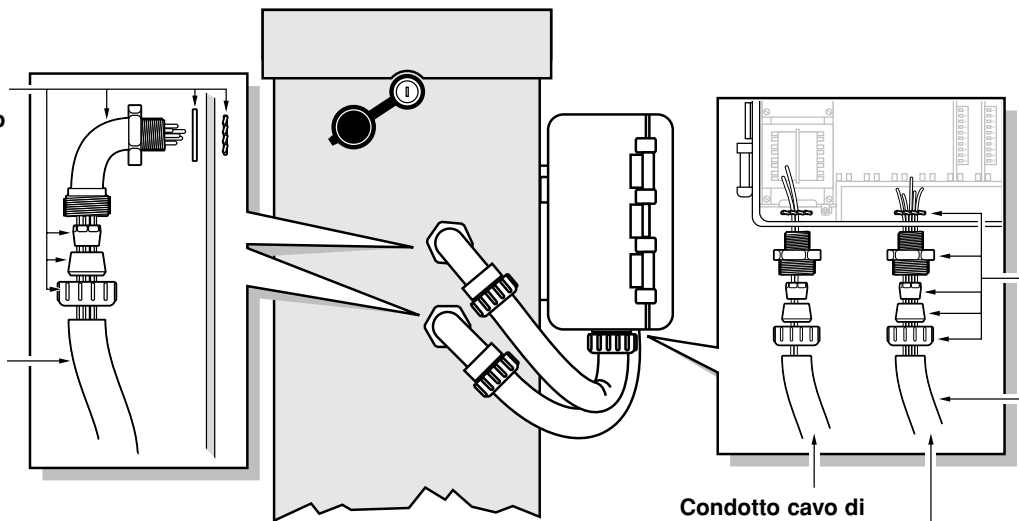


Figura 3

Raccordo stagno a 90° per condotto non metallico

Condotto flessibile non metallico



Raccordo stagno per condotto non metallico

Condotto flessibile non metallico

Condotto cavo di alimentazione a 24 V ca. Condotto cavo stazione

Nota: i condotti e i raccordi non sono in dotazione ma devono essere installati come richiesto per conformarsi alle norme locali e nazionali.

Installazione dei cavi delle stazioni e di alimentazione

1. Scollegare la fonte di alimentazione al programmatore satelliti ora installato.
2. Sbloccare la copertura anteriore dell'armadietto del satellite e la porta dell'unità RDR in modo da poter accedere ai terminali delle stazioni.
3. Per installazioni all'aperto, collegare tra l'armadietto del satellite e l'unità RDR un conduttore flessibile impermeabile da 1/2 pollice (13 mm). Vedere la **Figura 3**. Il cavo di alimentazione a 24 V c.a. e i cavi delle stazioni richiedono condotti separati.
4. Utilizzando del cavo a trefoli di rame da 14-16 AWG (2,5-1,5 mm²), collegare i cavi delle stazioni e il cavo comune delle valvole dalla morsetteria dei satelliti all'unità RDR. Marcare e identificare tutti i cavi per poterli collegare ai terminali della scheda in uscita dell'unità RDR.
5. Collegare in modo sicuro il cavo di ogni stazione e il cavo comune delle valvole al corrispondente terminale di stazione sull'unità RDR; cioè, la stazione satellite 1 al terminale stazione 1 dell'unità RDR e così via. Per la configurazione dei terminali satellite vedere la **Figura 4**. Per la configurazione dei terminali sull'unità RDR vedere la **Figura 5**.
6. Portare il cavo di alimentazione a 24 V c.a. e quello comune dal blocco terminale ai terminali del trasformatore dell'unità RDR e fissarli in modo sicuro. Vedere la **Figura 5**.

Nota: l'unità RDR richiede un alimentatore a 24 V c.a. Quando si installa un programmatore che non sia il VT 4000, individuare una fonte di alimentazione a 24 V c.a. all'interno del programmatore stesso, o una fonte esterna, e collegarla al trasformatore dell'unità RDR.

⚠ ATTENZIONE: si possono collegare a ogni stazione sino a tre solenoidi di valvola, ma senza superare l'uscita massima di 0,75 A per stazione. In condizioni di funzionamento si possono azionare simultaneamente cinque solenoidi al massimo, senza eccedere l'assorbimento massimo di corrente di 1,25 A. Il superamento di tali limiti può danneggiare le apparecchiature.

Figura 4

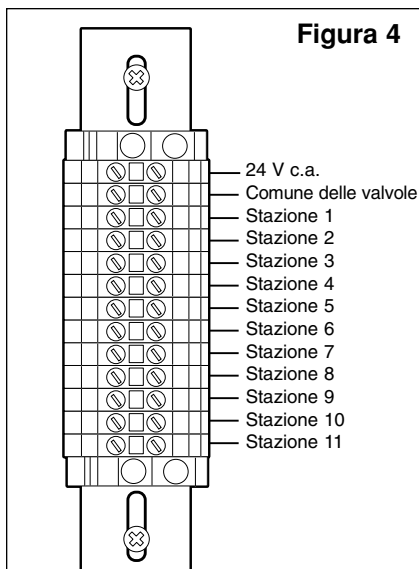
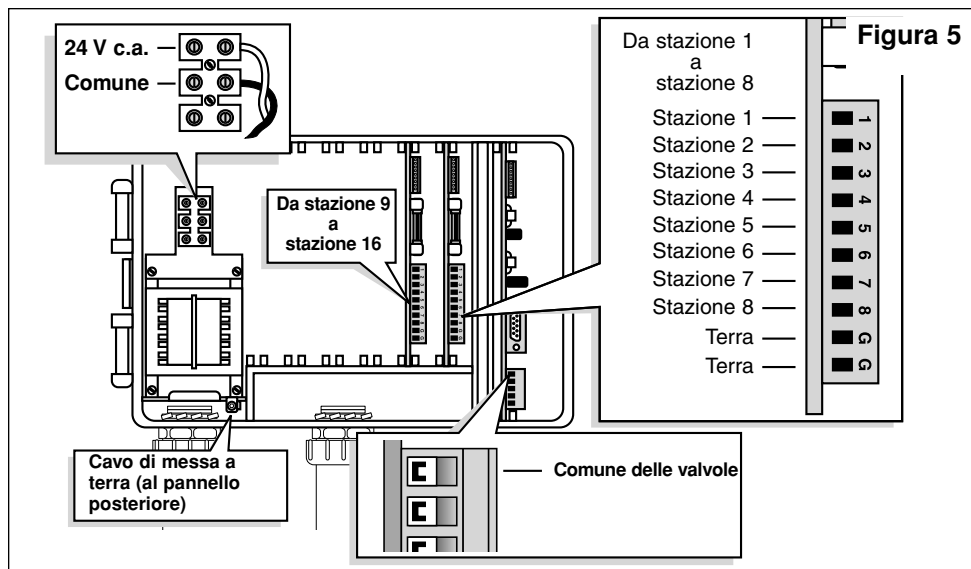


Figura 5



Messa a terra

1. Portare il cavo di terra verde dal blocco terminale del trasformatore dell'unità RDR al pannello posteriore dell'armadietto. Fissare l'anello terminale del cavo di terra al pannello posteriore usando la vite da metallo autofilettante in dotazione. Vedere la **Figura 6**.
2. Togliere il controdado dell'angolo in basso di destra del pannello posteriore. Inserire la rondella dentata, il capocorda di terra in rame e il controdado in dotazione. Serrare in modo sicuro. Vedere la **Figura 6**.
3. Collegare il capocorda di terra in rame a un dispositivo di messa a terra usando un conduttore di rame nudo da 6 AWG (10 mm²). Evitare che il cavo di messa a terra formi delle piegature di raggio inferiore a 8 pollici (20 cm).

⚠ **Importante:** accertarsi che il satellite sia messo a terra in modo corretto usando un dispositivo di massa opportuno come un'asta da 5/8 di pollice x 8 piedi (16 mm x 2,5 m) rivestita di rame e piantata in terra a una distanza di 8-12 piedi (2,5-3,7 m) dal satellite. L'estremità superiore dell'asta di messa a terra deve essere sotterrata 12 pollici (30,5 cm). Una lettura di 0 Ohm su un misuratore di resistenza di massa è ottimale, una lettura di 10 Ohm è buona e una lettura di 11-30 Ohm è accettabile nella maggioranza dei casi. Se la resistenza supera il valore accettabile, sarà necessario installare una seconda asta di massa a una distanza pari al doppio della lunghezza della prima asta, cioè 16 piedi (4,9 m). Collegare le aste di massa usando un conduttore di rame nudo da 6 AWG (10 mm²) e ripetere la prova di resistenza. Se la lettura della resistenza continua a essere troppo alta, mettersi in contatto con il distributore locale Toro per ottenere assistenza e suggerimenti.

Selezione della frequenza radio di decodifica

Il modulo di decodifica della frequenza a banda stretta contiene quattro frequenze radio che possono essere selezionate dall'utente. Le frequenze sono state programmate in fabbrica, o presso il distributore, prima di consegnare l'unità RDR all'utente. La frequenza del modulo di decodifica sull'unità RDR viene selezionata applicando un ponticello sul canale corrispondente, scelto nel gruppo di pin fornito allo scopo. Vedere la **Figura 7**.

Le frequenze pre-programmate sono le seguenti:

- Canale n. 1 = 462,2125 MHz
- Canale n. 2 = 462,4375 MHz
- Canale n. 3 = 467,2125 MHz
- Canale n. 4 = 467,4375 MHz

Nota: in certi casi le frequenze pre-programmate possono essere inutilizzabili nella zona particolare. L'utente può programmare una frequenza qualsiasi tramite il kit di programmazione frequenza (P/N 102-1208).

⚠ **Importante:** per poter comunicare, il trasmettitore della stazione base, la radio portatile e il modulo di decodifica dell'unità RDR devono essere impostati sulla stessa frequenza.

Assegnazione del numero di indirizzo satellite

Ogni satellite richiede un numero di indirizzo di tre cifre che gli permette di comunicare con il programmatore centrale e/o con la radio portatile. I numeri di indirizzo vanno da 1 (001) a 255 e sono impostati tramite gli interruttori DIP situati sul gruppo del modulo di decodifica della frequenza. Vedere la **Figura 8**.

Nella posizione in basso, gli interruttori sono Off (aperto) e rappresentano un valore di 0 (zero). Nella posizione On (chiuso) rappresentano i numeri di indirizzo seguenti:

Int. 1 = 1	Int. 2 = 2	Int. 3 = 4	Int. 4 = 8
Int. 5 = 16	Int. 6 = 32	Int. 7 = 64	Int. 8 = 128

Per impostare il numero di indirizzo di un satellite, individuare dapprima il satellite desiderato nella **Tabella 1** a pagina 4. Quindi, impostare gli interruttori su On od Off come indicato dallo schema.

Esempio: per impostare il numero di indirizzo 50 (050), mettere tutti gli interruttori DIP sulla posizione Off (aperto) e successivamente impostare gli interruttori 2, 5 e 6 sulla posizione On (**2 [2] + 16 [5] + 32 [6] = 50**).

Vedere la **Figura 8**.

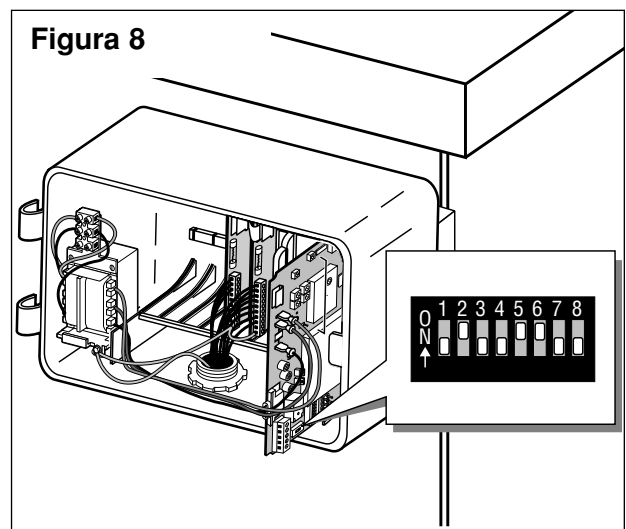
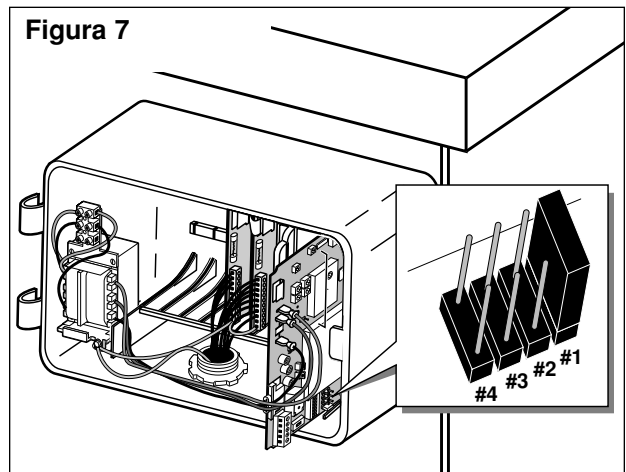
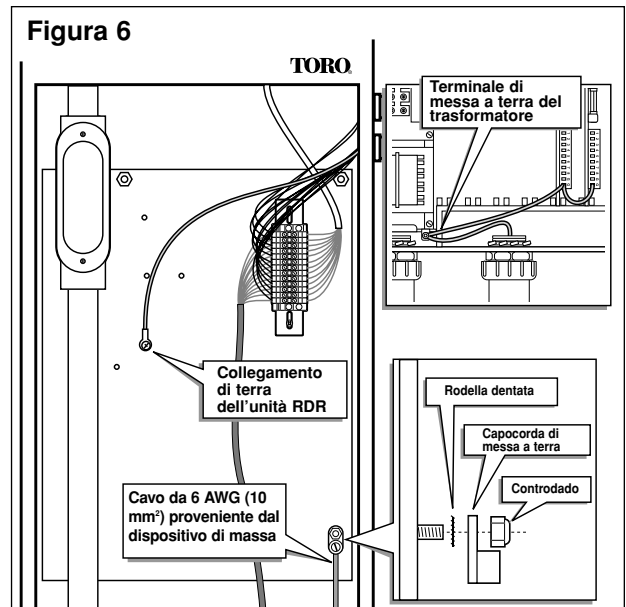


Tabella 1 – Configurazioni indirizzo interruttori DIP

Numero interruttore DIP
1 2 3 4 5 6 7 8

● = ON (chiuso) □ = OFF (aperto)

001	●	●						052		●	●	●	●		103	●	●	●	●	●	●		154		●	●	●	●	●	205	●	●	●	●	●	●
002		●						053	●	●	●	●		104			●	●	●	●			155	●	●	●	●	●	206	●	●	●	●	●	●	
003	●	●						054	●	●	●	●		105	●		●	●	●	●			156		●	●	●	●	207	●	●	●	●	●	●	
004			●					055	●	●	●	●		106		●	●	●	●				157	●	●	●	●	●	208			●	●	●	●	
005	●		●					056			●	●	●	107	●	●	●	●	●				158	●	●	●	●	●	209	●		●	●	●	●	
006		●	●					057	●		●	●	●	108		●	●	●	●				159	●	●	●	●	●	210		●	●	●	●	●	
007	●	●	●					058	●		●	●	●	109	●	●	●	●	●				160				●	●	211	●	●	●	●	●	●	
008				●				059	●	●	●	●	●	110		●	●	●	●				161			●	●	●	212		●	●	●	●	●	
009	●			●				060			●	●	●	111	●	●	●	●	●				162	●			●	●	213	●	●	●	●	●	●	
010		●		●				061	●		●	●	●	112				●	●				163	●	●		●	●	214		●	●	●	●	●	
011	●	●		●				062		●	●	●	●	113	●			●	●				164		●		●	●	215	●	●	●	●	●	●	
012			●	●				063	●	●	●	●	●	114		●		●	●				165	●	●		●	●	216			●	●	●	●	
013	●		●	●				064					●	115	●	●		●	●				166	●	●	●	●	●	217	●		●	●	●	●	
014		●	●	●				065	●				●	116			●		●				167	●	●	●	●	●	218	●	●	●	●	●	●	
015	●	●	●	●				066		●			●	117	●	●	●	●	●				168			●	●	●	219	●	●	●	●	●	●	
016					●			067	●	●			●	118		●	●	●	●				169	●		●	●	●	220		●	●	●	●	●	
017	●				●			068		●			●	119	●	●	●	●	●				170		●	●	●	●	221	●	●	●	●	●	●	
018		●			●			069	●		●		●	120			●	●	●				171	●	●	●	●	●	222	●	●	●	●	●	●	
019	●	●			●			070		●	●		●	121	●		●	●	●				172		●	●	●	●	223	●	●	●	●	●	●	
020			●	●				071	●	●	●		●	122		●	●	●	●				173	●	●	●	●	●	224				●	●	●	
021	●		●	●				072			●		●	123	●	●	●	●	●				174	●	●	●	●	●	225	●			●	●	●	
022		●	●	●				073	●		●		●	124		●	●	●	●				175	●	●	●	●	●	226		●	●	●	●	●	
023	●	●	●	●				074	●		●		●	125	●		●	●	●				176			●	●	●	227	●	●	●	●	●	●	
024			●	●				075	●	●	●		●	126	●	●	●	●	●				177		●	●	●	●	228		●	●	●	●	●	
025	●		●	●				076		●	●		●	127	●	●	●	●	●				178	●		●	●	●	229	●	●	●	●	●	●	
026		●	●	●				077	●		●		●	128									179	●	●	●	●	●	230		●	●	●	●	●	
027	●	●	●	●				078		●	●		●	129	●								180		●	●	●	●	231	●	●	●	●	●	●	
028			●	●				079	●	●	●		●	130		●							181	●	●	●	●	●	232			●	●	●	●	
029	●	●	●	●				080			●		●	131	●	●							182		●	●	●	●	233	●	●	●	●	●	●	
030		●	●	●				081	●		●		●	132			●						183	●	●	●	●	●	234	●	●	●	●	●	●	
031	●	●	●	●				082		●		●	●	133	●	●							184			●	●	●	235	●	●	●	●	●	●	
032					●			083	●	●		●	●	134		●							185	●		●	●	●	236		●	●	●	●	●	
033	●				●			084		●		●	●	135	●	●	●						186	●	●	●	●	●	237	●	●	●	●	●	●	
034		●			●			085	●		●		●	136			●						187	●	●	●	●	●	238	●	●	●	●	●	●	
035	●	●			●			086	●	●	●		●	137	●		●						188		●	●	●	●	239	●	●	●	●	●	●	
036			●		●			087	●	●	●		●	138		●							189	●	●	●	●	●	240				●	●	●	
037	●		●		●			088			●		●	139	●	●	●						190		●	●	●	●	241	●		●	●	●	●	
038		●	●		●			089	●		●		●	140		●	●						191	●	●	●	●	●	242		●	●	●	●	●	
039	●	●	●		●			090		●		●	●	141	●	●	●						192				●	●	243	●	●	●	●	●	●	
040			●	●				091	●	●	●		●	142		●	●	●	●				193	●			●	●	244	●	●	●	●	●	●	
041	●		●		●			092		●	●		●	143	●	●	●						194		●		●	●	245	●	●	●	●	●	●	
042		●			●			093	●		●		●	144				●					195	●	●		●	●	246		●	●	●	●	●	
043	●	●			●			094		●	●		●	145	●			●					196		●		●	●	247	●	●	●	●	●	●	
044			●	●				095	●	●	●		●	146		●							197	●	●		●	●	248			●	●	●	●	
045	●		●		●			096				●	●	147	●	●		●					198	●	●	●	●	●	249	●		●	●	●	●	
046		●	●	●				097	●		●		●	148		●							199	●	●	●	●	●	250		●	●	●	●	●	
047	●	●	●		●			098		●			●	149	●	●	●						200			●	●	●	251	●	●	●	●	●	●	
048					●			099	●	●			●	150		●	●	●					201	●		●	●	●	252		●	●	●	●	●	
049	●				●			100		●			●	151	●	●	●	●					202		●	●	●	●	253	●	●	●	●	●	●	
050		●			●			101	●		●		●	152			●	●					203	●	●	●	●	●	254	●	●	●	●	●	●	
051	●	●			●	●		102	●	●			●	153	●		●	●					204		●	●	●	●	255	●	●	●	●	●	●	

Compatibilità elettromagnetica

Per Uso Nazionale (USA): questa apparecchiatura è stata collaudata e rientra nei limiti designati per i dispositivi digitali di Classe A, in conformità con la sezione n.15 delle normative FCC. Tali limiti sono stati studiati per fornire adeguata protezione contro dannose interferenze nel caso di installazione in zona residenziale. L'apparecchiatura genera, usa e può irradiare radiofrequenze e, se non viene installata ed usata secondo quanto prescritto, può causare interferenze dannose alle comunicazioni radio, nel qual caso l'utente dovrà apportare le dovute correzioni alle interferenze a sue spese.

Per Uso Internazionale: questa apparecchiatura è un prodotto CISPR 22 di Classe A. Nel caso di installazione in zone residenziali, questa apparecchiatura può causare interferenze radio, in tal caso l'utente dovrà apportare le dovute correzioni.

Autotest del circuito di controllo

Una funzione di autotest permette di controllare la funzionalità di vari circuiti di controllo chiave dei satelliti.

Il test viene iniziato posizionando su **TEST** l'interruttore **TEST/RESET** situato sul modulo di decodifica della frequenza, come indicato nella **Figura 9**. Il test inizia immediatamente. Il test si ripete in continuazione finché l'interruttore **TEST/RESET** non viene riportato sulla posizione **NORMAL**.

Nota: la posizione **RESET** ripristina il microprocessore del decodificatore di frequenza ai valori impostati in fabbrica. Per eseguire il ripristino, il satellite deve essere acceso quando l'interruttore è in posizione **RESET**. L'interruttore deve essere riportato su **NORMAL** dopo 15 minuti di funzionamento.

Collegamento e funzione del relè di comando a distanza

Il modulo di decodifica della frequenza dell'unità RDR è dotato di un relè da 5 A a polo singolo a due vie. Il relè serve negli impianti di irrigazione dotati di due sistemi di irrigazione diversi. Quando la stazione di base o radio portatile trasmettono il comando, il relè può venire eccitato. Tale azione ferma le funzioni dell'unità OSMAC RDR e accende il sistema di irrigazione alternativo. Un altro comando può essere inviato all'unità RDR per diseccitare il relè, spegnere il sistema di irrigazione alternativo e riportare il controllo all'unità OSMAC RDR. Inoltre, per evitare l'eccitazione accidentale del relè vengono forniti due comandi separati per attivare e disattivare questa funzione. Per dettagli, vedere l'elenco dei **Codici di comando**. Per le posizioni dei terminali, vedere la **Figura 10**.

Sostituzione dei fusibili

⚠ ATTENZIONE: per protezione ininterrotta contro il rischio di incendio, sostituire solamente con fusibili dello stesso tipo e valore nominale.

Il gruppo del trasformatore dell'unità RDR e le schede di uscita dei terminali sono dotati di fusibili che proteggono l'unità da danno dovuto a sovracorrenti e assorbimento eccessivo di corrente dai terminali delle stazioni. Prima di sostituire un fusibile, individuare la probabile causa del problema, ad esempio un cortocircuito o una stazione o un cavo comune collegati in modo incorretto, quindi sostituire il fusibile nel modo seguente:

1. Scollegare la fonte di alimentazione al satellite.
2. Sbloccare l'unità RDR per accedere al gruppo del trasformatore e/o alle schede di uscita dei terminali.
3. Togliere con attenzione il fusibile bruciato dai suoi fermagli.
4. Inserire sui fermagli il fusibile di ricambio. Per il gruppo del trasformatore usare un fusibile ad azione lenta da 2 A, e uno ad azione lenta da 4 A per le schede uscita dei terminali.
5. Riaccendere l'unità RDR.
6. Provare che il funzionamento sia corretto.
7. Bloccare l'unità RDR

Operazioni satellite con radio portatile

Le operazioni dei satelliti possono essere avviate tramite radio portatile dotata di tastierina DTMF. I codici di comando delle operazioni sono elencati nella sottostante **Tabella 2** e a pagina 6.

⚠ Importante: per poter comunicare, il trasmettitore della stazione base/radio portatile e il modulo di decodifica dell'unità RDR devono essere impostati sulla stessa frequenza.

Nota: tutti i comandi operativi devono iniziare con la seguente sequenza sulla tastierina: ***9** seguito dalle tre cifre del numero di indirizzo del satellite. Dopo di che si può inserire il codice di comando, seguito da altre cifre che rappresentano le stazioni selezionate e/o i tempi di funzionamento. La sequenza del comando si conclude premendo il tasto **#**. I numeri di stazione **1-9** vanno inseriti con lo **0** in fronte, per esempio la stazione **1** va inserita come **01**.

Esempio: confermare comunicazione al satellite inviando un comando di avvio stazione manuale nel modo seguente: premere ***9**, le tre cifre del codice di indirizzo del satellite, il codice di comando **7521 01** (stazione 1) e **#**. Controllare che gli irrigatori siano in funzione. Premere ***1** per passare da una stazione all'altra andando in avanti e premere ***2** per andare all'indietro. Per fermare il test, premere ***9**, le tre cifre del codice indirizzo del satellite e il codice di comando **7520 #**.

Tabella 2 – Codici di comando per radio portatile (segue a pagina 6)

Nota: quando i comandi vengono emessi dalla tastierina della stazione base, usare il trattino (-) al posto dell'asterisco (*).

Codice Descrizione dell'operazione

- | | |
|------|--|
| 7510 | Spegne le stazioni individualmente; per esempio, 7510 01 02 11 spegne le stazioni 1, 2 e 11. |
| 7511 | Accende le stazioni individualmente; per esempio, 7511 01 02 11 accende le stazioni 1, 2 e 11. |

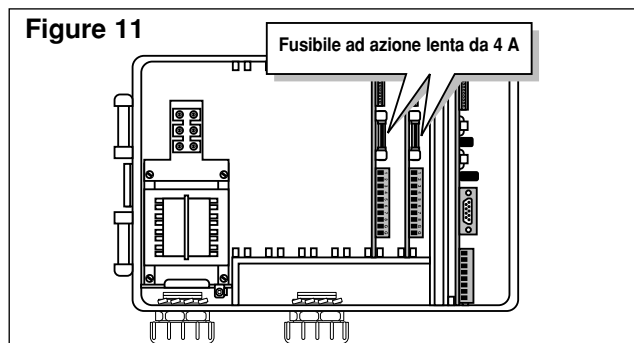
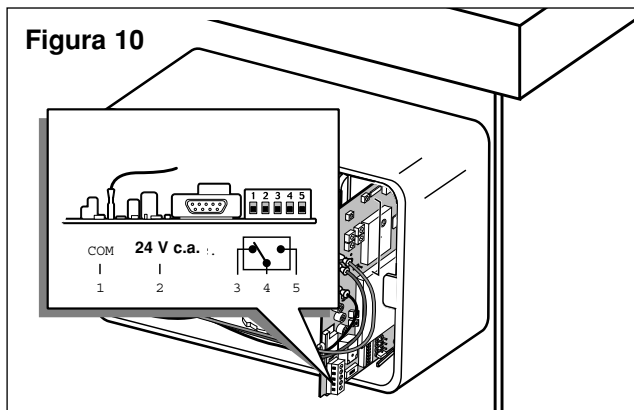
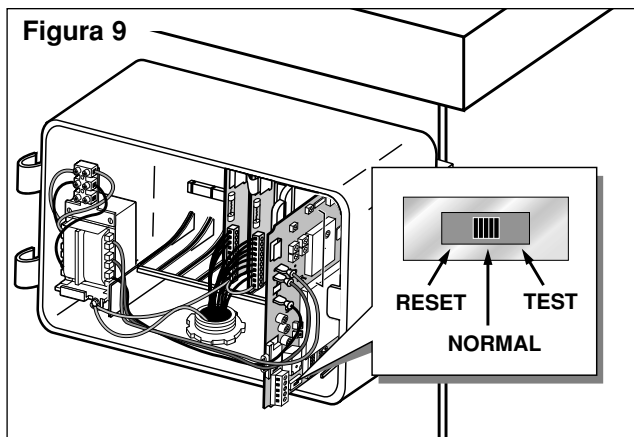


Tabella 2 – Codici di comando per radio portatile (segue da pagina 5)

Codice	Descrizione dell'operazione
7512	Inietta individualmente le stazioni per un tempo predeterminato. Usare il comando 8006 01 per impostare il tempo; per esempio 7512 01 02 accende le stazioni 1 e 2 per la durata specificata.
7513	Disabilita individualmente le stazioni ; per esempio, 7513 01 03 disabilita le stazioni 1 e 3. Dopo questo comando, qualsiasi comando di accensione e spegnimento viene ignorato finché le stazioni non sono riabilite. (Vedere 7514.)
7514	Abilita individualmente le stazioni ; per esempio, 7514 01 03 abilita le stazioni 1 e 3.
7515	Inietta in successione un intervallo di numeri stazione specificato ; per esempio., 7515 05 11 inietterà in successione le stazioni tra la 5 e la 11. Il comando 8006 01 stabilisce il tempo di iniezione.
7516	Inietta in successione le stazioni individualmente ; per esempio, 7516 10 11 inietterà le stazioni da 10 a 11. Nota: si possono anche iniettare più gruppi. Per separare i gruppi, inserire due asterischi; per esempio, 7516 10 11 * * 22 24 26 28 indica due gruppi azionati contemporaneamente. Le prime stazioni saranno 10 e 11, seguite 22, 24, 26 e 28.
7517	Accende le stazioni individualmente per un certo numero di ore, minuti e secondi ; per esempio, 7517 01 30 00 05 06 09 accende le stazioni 5, 6 e 9 per 1 ora, 30 minuti e zero secondi.
7518	Accende individualmente le stazioni per un certo numero di minuti ; per esempio, 7518 10 05 06 accende le stazioni 5 e 6 per 10 minuti.
7520	Spegne in successione di stazioni un'operazione irrigua (accese con il comando 7521).
7521	Accende in successione di stazioni un'operazione irrigua ; per esempio, 7521 01 accende la stazione 1. Premere * 1 per avanzare da una stazione a quella successiva e premere * 2 per muoversi all'indietro da una stazione a quella successiva.
7522	Aumenta il numero di stazione preimpostato in una sequenza irrigua ; per esempio, 7522 02 aggiungerà 02 al numero della stazione operativa corrente e attiverà il nuovo numero stazione. La sequenza irrigua termina quando il nuovo numero supera 64.
7523	Diminuisce il numero di stazione preimpostato in una sequenza irrigua ; per esempio, 7523 03 metterà in azione la stazione che precede di 3 quella operativa corrente. La successione irrigua termina quando si arriva al nuovo numero stazione meno 1.
7524	Accende individualmente le stazioni come un interruttore ; cioè non mette sotto tensione la pompa allo stesso tempo. Nota: non spegnerà la pompa se questa è già in marcia. Per esempio, 7524 01 03 11 accende le stazioni 1, 3 e 11 senza mettere sotto tensione la pompa.
7525	Accende individualmente le stazioni come un interruttore per una certa durata di minuti ; cioè non mette sotto tensione la pompa allo stesso tempo. In questo comando la durata viene messa per prima, seguita dai numeri delle stazioni; per esempio, 7525 25 05 11 accende le stazioni 5 e 11 per 25 minuti senza mettere la pompa sotto tensione.
7526	Accende individualmente le stazioni per una certa durata di ore, minuti e secondi . In questo comando la durata viene messa per prima seguita dai numeri delle stazioni; per esempio, 7526 02 30 45 05 06 07 accende le stazioni 5, 6 e 7 per una durata di 2 ore, 30 minuti e 45 secondi.
7540	Spegne tutte le stazioni (solo satellite specificato).
7542	Spegne tutte le stazioni usando la procedura di spegnimento in successione.
7543	Disabilita tutte le stazioni in tutti i satelliti (spegnimento per pioggia) . Nota: i comandi 7543 e 7544 usano il codice di indirizzo satellite 256. Le stazioni non risponderanno a nessun comando finché non sono state abilitate di nuovo.
7544	Abilita tutte le stazioni in tutti i satelliti . Vedere la nota soprastante.
7546	Inietta tutte le stazioni in successione a intervalli di tempo di durata predeterminata ; per esempio, 7546 accende tutte le stazioni a intervalli della durata predeterminata di 30 secondi che è stata definita come valore dell'intervallo.
7800	Disabilita il relè di comando a distanza sul modulo di decodifica della frequenza .
7801	Abilita il relè di comando a distanza sul modulo di decodifica della frequenza .
7810	Spegne il relè di comando a distanza sul modulo di decodifica della frequenza . Riporta il funzionamento all'unità satellite.
7811	Accende il relè di comando a distanza sul modulo di decodifica della frequenza . Toglie il funzionamento all'unità satellite.
8000	Disabilita l'avviamento della pompa .
8001	Abilita l'avviamento della pompa per le stazioni assegnate ; per esempio, 8001 10 assegna l'avviamento della pompa alla stazione 10.
8003 00	Disabilita il funzionamento e spegne tutte le stazioni di un satellite con spegnimento in successione .
8003 01	Abilita il funzionamento di tutte le stazioni del satellite .
8004	Modifica la password ; per esempio, 8004 7531 6108 modificherà a 6108 la password preimpostata alla fabbrica (7531).
8006 01	Imposta la durata di iniezione in numero di intervalli di 30 secondi ; per esempio, 8006 01 0100 (senza password) o 8006 pppp 01 0100 (con password) imposta il tempo di irrigazione a 100 intervalli (50 minuti). Il numero di intervalli deve essere inserito come numero di quattro cifre con zeri iniziali e non può superare il valore di 0255.
8006 02	Imposta il limite del tempo di esaurimento in intervalli di 30 minuti . Il valore deve essere specificato con quattro cifre con zeri iniziali e non può superare 0255; per esempio, 8006 02 0060 (senza password) o 8006 pppp 02 0060 (con password) imposta il limite di tempo scaduto a 30 ore.
8006 03	Abilita/disabilita la password . Usare 8007 03 01 per proteggere il sistema con la password o 8007 03 00 per togliere la protezione.
8007 03 00	Comando per disabilitare la password . Elimina il requisito della password in tutti i comandi inseriti.
8007 03 01	Comando per abilitare la password . Una volta attivato, richiede che tutti i comandi inseriti contengano la password.
8008	Configura le stazioni come interruttore . Si possono indicare stazioni individuali o a gruppi; per esempio, 8008 01 03 08 * 11 configura come interruttori le stazioni 1 e 3 e da 8 a 11.
8009	Configura le stazioni per irrigazione . Si possono indicare stazioni individuali o a gruppi; per esempio, 8008 01 03 08 * 11 configura per irrigazione le stazioni 1 e 3 e da 8 a 11.
8011	Ripristina la EPROM alle impostazioni effettuate alla fabbrica .
* 1	Invia il comando 752201 all'ultimo satellite indirizzato . Aumenta di uno il numero delle stazioni in modalità test.
* 2	Invia il comando 752301 all'ultimo satellite indirizzato . Spegne la stazione in test al momento e diminuisce di uno il numero della stazione in modalità test.
* 4	Invia il comando 7540 all'ultimo satellite indirizzato . Spegne tutte le stazioni.

Figura 13 - Particolare di installazione RDR per installazione sull'esterno del satellite

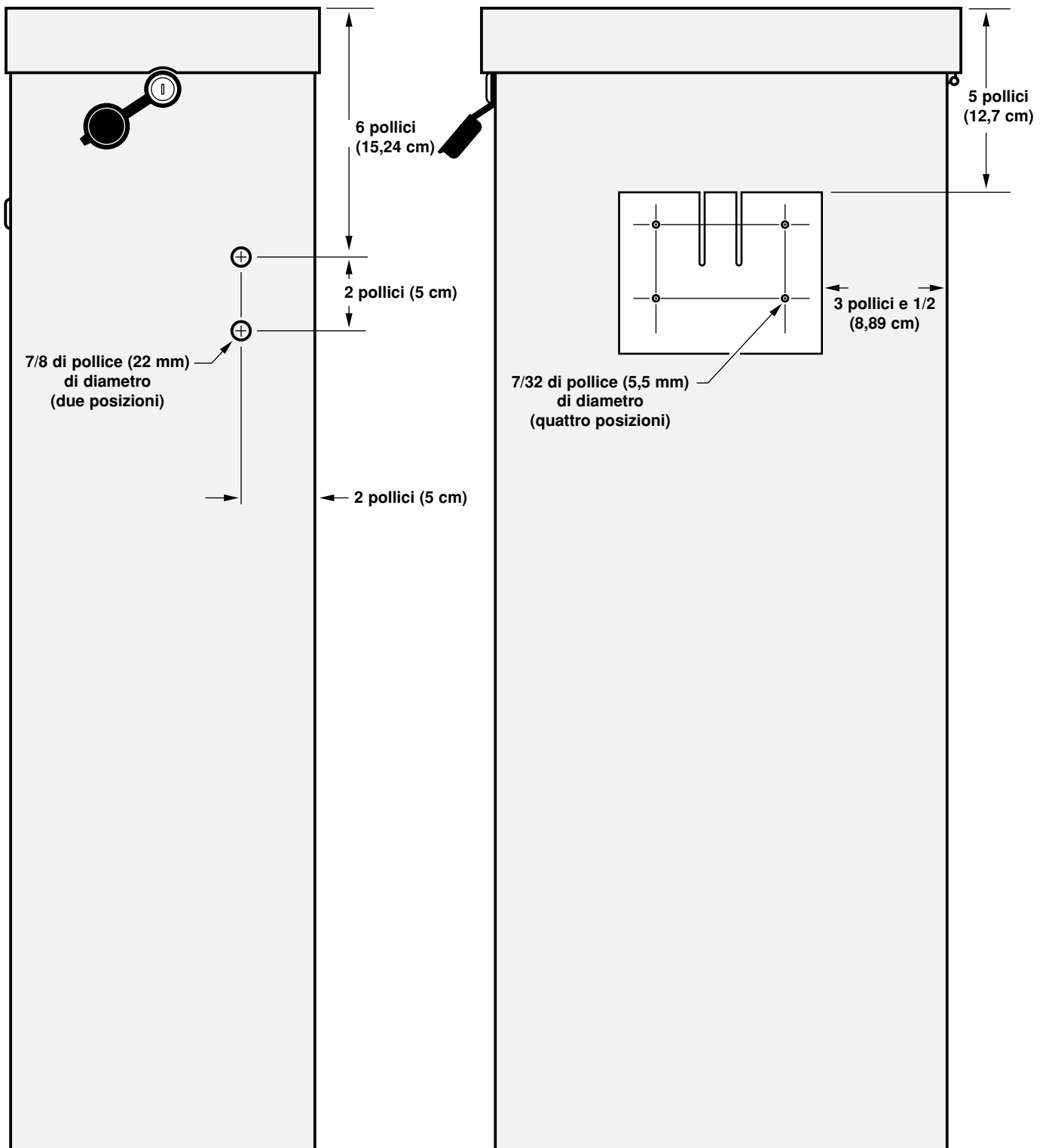
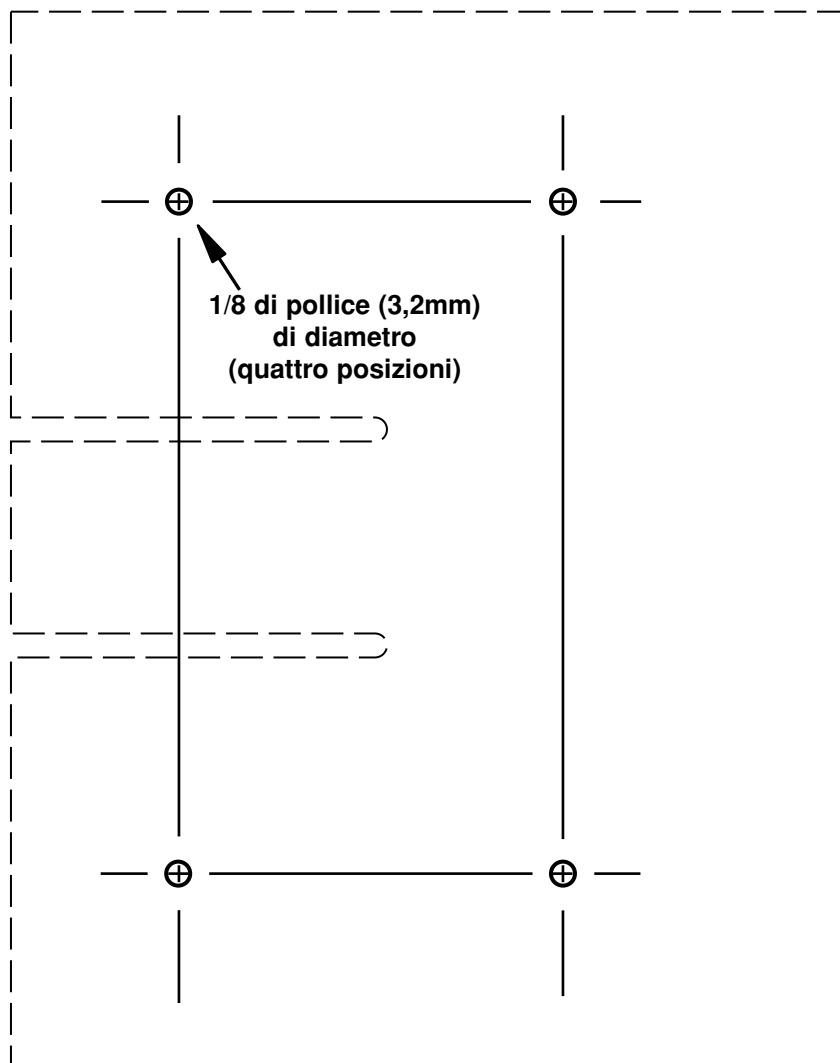


Figura 14 – Mascherina per il montaggio dell'unità RDR in installazioni all'interno del satellite



Allineare con l'angolo in basso a destra del pannello posteriore.



Free Manuals Download Website

<http://myh66.com>

<http://usermanuals.us>

<http://www.somanuals.com>

<http://www.4manuals.cc>

<http://www.manual-lib.com>

<http://www.404manual.com>

<http://www.luxmanual.com>

<http://aubethermostatmanual.com>

Golf course search by state

<http://golfingnear.com>

Email search by domain

<http://emailbydomain.com>

Auto manuals search

<http://auto.somanuals.com>

TV manuals search

<http://tv.somanuals.com>