



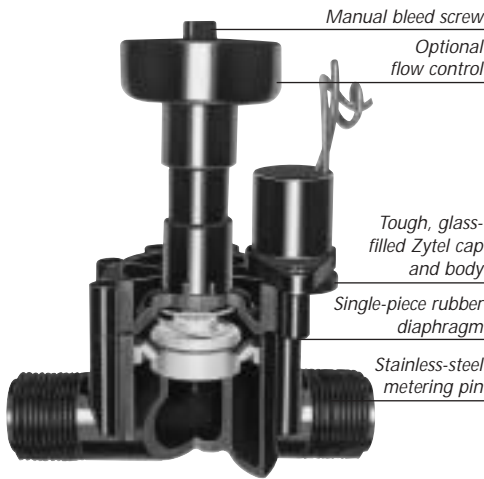
Count on it.

# 254/264 Series Plastic Valves

V A L V E S



Effluent flow-control knob available (Part No. 89-7855)



254 Male x Male Valve

Extremely rugged residential/commercial valves designed for reliable performance.

## 20 and 25mm (3/4" and 1") Electric Models

### Features

- Male-threaded inlet and male-threaded or barbed outlet available
- Barbed insert models for use with poly pipe
- Manual flow control: adjustable to zero flow (254 Series)
- Manual bleed screw
- Energy-efficient solenoid
- 45cm (18") lead wires for easy-access installation
- Self-cleaning, stainless-steel metering pin (electric models)
- Stainless-steel diaphragm differential spring for smooth, positive closing
- Single-piece rubber diaphragm for reliable, leak-free valve closing
- Tough, glass-filled Zytel® cap and body provides stability under pressure
- Zytel Super Tough and stainless-steel construction for exceptional durability
- Available with or without flow control

### Specifications

#### 25mm (1") Models

- Recommended flow range: 19-170 LPM (5-45 GPM)
- Operating pressure: 1.4-10 Bar (20-150 PSI)
- Burst pressure safety rating: 52 Bar (750 PSI)
- Body styles: Globe valve
  - 2X4-06: 25mm (1") male-threaded inlet and outlet
  - 2X4-16: 25mm (1") male-threaded inlet, 25mm (1") insert (barbed) outlet
- Solenoid: 50/60 Hz (24 V.a.c.)
  - Inrush: 0.30 Amps, 7.20 VA
  - Holding: 0.20 Amps, 4.80 VA
- Dimensions:
  - 254 Series (with flow control): 152 x 115mm (H x W) (6" x 4 1/2") (H x W)
  - 264 Series (without flow control): 115 x 115mm (H x W) (4 1/2" x 4 1/2") (H x W)

#### 20mm (3/4") Models

- Recommended flow range: 2-57 LPM (0.5-15.0 GPM)
- Operating pressure: 1-10 Bar (15-150 PSI)
- Burst pressure safety rating: 52 Bar (750 PSI)
- Body style: Globe valve
  - 20mm (3/4") male-threaded inlet and outlet
- Solenoid: 50/60 Hz (24 V.a.c.)
  - Inrush: 0.25 Amps, 6.00 VA
  - Holding: 0.19 Amps, 4.50 VA
- Dimensions: 76 x 102mm (H x W) (3" x 4" H x W)

Flow (LPM)	2	25	50	75	100	125
20mm (3/4") Electric	<0,1	0,1	0,4	0,7		
25mm (1") Electric		0,1	0,2	0,2	0,3	0,4

\*Values are listed in Bar. For kPa values, multiply tabular values by 100. For Kg/cm<sup>2</sup> values, multiply tabular values by 1,02. Flow rates are recommended not to exceed 0,35 Bar loss

Flow (GPM)	0.5	1	3	5	10	15	20	25	30
3/4" Electric	<1.0	<1.0	<1.0	1.5	3.0	6.5			
1" Electric		2.0	2.0	2.3	3.1	4.0	5.4		

Note: For optimum sprinkler performance when designing a system, calculate total friction loss to ensure sufficient downstream pressure. Flow rates are recommended not to exceed 5 PSI loss.

### Specifying Information

Flow Control	Body Threads	Size
5-w/ F.C.	0-Male Thread x Male Thread-NPT	3-20mm (3/4")
6-w/o F.C.	1-Male Thread x Barb-NPT	4-25mm (1")

For Example:  
When specifying a 25mm (1") electric 264 Series valve without flow control and with a male thread x 25mm (1") insert, you would specify:  
**264-16-04**

20mm (3/4") available with male x male thread without flow control only.

# 250/260 Series Plastic Valves

Highly versatile residential/commercial valves for use in light-to-moderate debris water. Three activation types for easy design, installation and maintenance.

## 25mm (1") Electric, Normally Open Hydraulic and Pin-Type Hydraulic Models

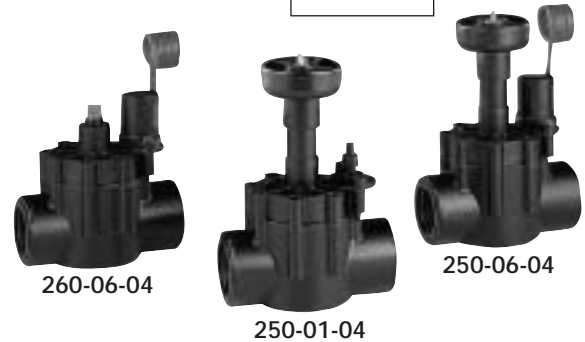
### Features

- Manual flow control: adjustable to zero flow (250 Series)
- Manual bleed screw
- Energy-efficient solenoid
- 45cm (18") lead wires (electric models) for easy-access installation
- Self-cleaning, stainless-steel metering pin (electric models)
- Stainless-steel diaphragm differential spring for smooth, positive closing
- Single-piece rubber diaphragm for reliable, leak-free valve closing
- Durable engineering plastic and stainless-steel construction for exceptional durability
- Tough, glass-filled Zytel® cap provides stability under pressure
- Available with or without flow control

### Specifications

- Recommended flow range: 19-151 LPM (5-40 GPM)
- Operating pressure: 1.4-10 Bar (20-150 PSI)
- Burst pressure safety rating: 52 Bar (750 PSI)
- Body style:
  - 25mm (1") female-threaded inlet and outlet
- Solenoid: 50/60 Hz (24 V.a.c.)
  - Inrush: 0.30 Amps, 7.20 VA
  - Holding: 0.20 Amps, 4.80 VA
- Dimensions:
  - 250 Series (with flow control): 152 x 114mm (H x W) (6" x 4½") (H x W)
  - 260 Series (without flow control): 114 x 114mm (H x W) (4½" x 4½") (H x W)

Effluent flow-control knob available (Part No. 89-7855)



Flow (LPM)	20	40	60	80	100
25mm Hydraulic	<0,1	0,1	0,1	0,2	0,3
25mm Electric		0,3	0,3	0,3	0,4

\*Values are listed in Bar. For kPa values, multiply tabular values by 100. For Kg/cm<sup>2</sup> values, multiply tabular values by 1,02. Flow rates are recommended not to exceed 0,35 Bar loss.

Flow (GPM)	5	10	15	20	25	30
1" Hydraulic	<1.0	1.0	2.0	3.0	4.0	6.0
1" Electric		4.4	4.5	5.0	5.0	7.0

Note: For optimum sprinkler performance when designing a system, be sure to calculate total friction loss to ensure sufficient downstream pressure. Flow rates are recommended not to exceed 5 PSI loss.

### Specifying Information

<div style="display: flex; justify-content: space-around;"> <span>2X0</span> <span>0X</span> <span>X4</span> </div>		
Flow Control	Activation Type	Thread
5-w/ Flow Control 6-w/o Flow Control	0-Pin-Type Hydraulic 1-Normally Open Hydraulic 6-Electric	0-NPT 5-BSP
For Example: When specifying a 25mm (1") BSP 250 Series Valve with flow control and pin-type hydraulic activation, you would specify: <div style="text-align: center; border: 1px solid black; padding: 2px;">250-00-54</div>		



**Count on it.**

**Worldwide Headquarters**  
 The Toro Company  
 8111 Lyndale Avenue South  
 Bloomington, MN 55420  
 Phone: 952-888-8801  
 Fax: 952-887-7265  
 www.toro.com

GB Form Number: 200-xxxx  
 ©2005 The Toro Company – All Rights Reserved.

## Free Manuals Download Website

<http://myh66.com>

<http://usermanuals.us>

<http://www.somanuals.com>

<http://www.4manuals.cc>

<http://www.manual-lib.com>

<http://www.404manual.com>

<http://www.luxmanual.com>

<http://aubethermostatmanual.com>

Golf course search by state

<http://golfingnear.com>

Email search by domain

<http://emailbydomain.com>

Auto manuals search

<http://auto.somanuals.com>

TV manuals search

<http://tv.somanuals.com>