



Count on it.

Operator's Manual

GT2100 Garden Tractor

Model No. 14AP80RP544

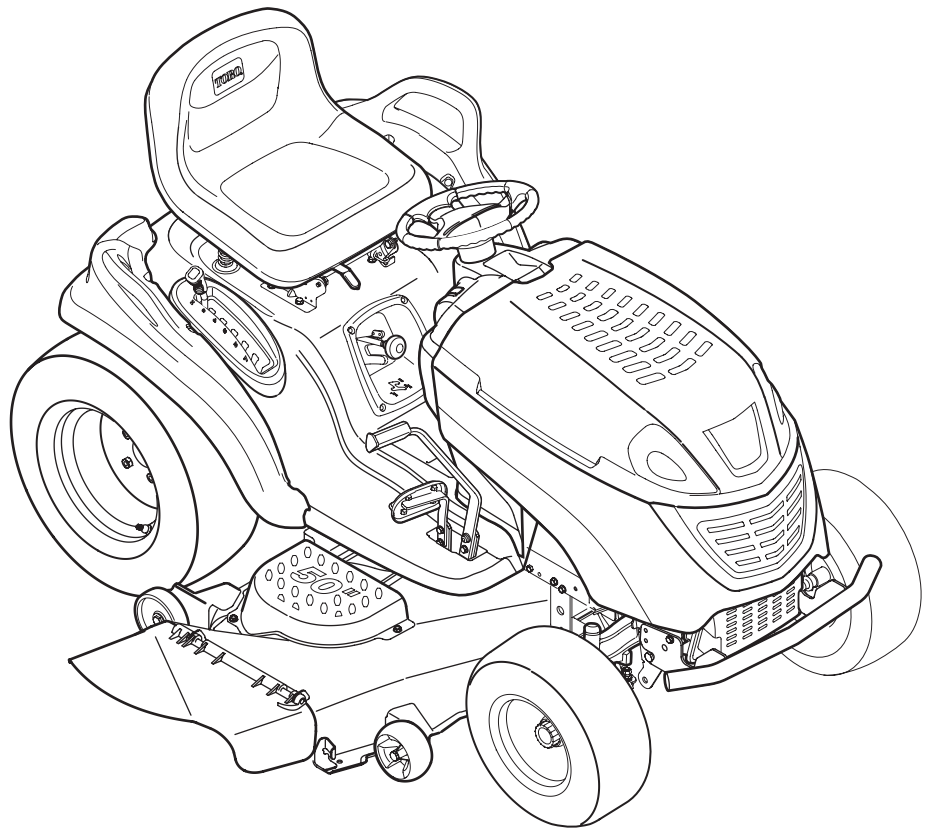


TABLE OF CONTENTS

Content	Page	Content	Page
Important Safe Operation Practices	3	Lubrication	21
Safety Labels	6	Service	21
Slope Gauge	7	Off-season Storage	25
Tractor Set-up	8	Maintenance Chart	25
Know Your Garden Tractor	10	Troubleshooting	26
Operating Your Garden Tractor	13	Specifications	27
Making Adjustments	17	Warranty Information	28
Maintaining Your Garden Tractor	19		

FINDING MODEL NUMBER

This Operator's Manual is an important part of your new garden tractor. It will help you assemble, prepare and maintain the unit for best performance. Please read and understand what it says.



Before you start assembling your new equipment, please locate the model plate on the equipment and copy the information from it in the space provided below. A sample model plate is also illustrated below. You can locate the model plate by looking at the underside of the tractor's seat. This information will be necessary to use the manufacturer's web site and/or help from a Toro Service Dealer.

MODEL NUMBER	SERIAL NUMBER	DOM
<div style="display: flex; align-items: center;"> <div> <p style="font-size: 8px; margin: 0;">THE TORO COMPANY 8111 LYNDALE AVE. SOUTH BLOOMINGTON, MINNESOTA 55420-1196 TOLL FREE PHONE NUMBER: 1-888-384-9942 USA TOLL FREE PHONE NUMBER: 1-888-848-4073 Canada</p> </div> </div>		

Copy the model number here: _____

Copy the serial number here: _____

CUSTOMER SUPPORT

Please do NOT return the unit to the retailer without first contacting Customer Support.

If you have difficulty assembling this product or have any questions regarding the controls, operation or maintenance of this unit, you can seek help from the experts. Choose from the options below:

	<p>Visit www.toro.com for many useful suggestions. Click on Customer Care in the Homeowners section of the Toro Solutions Center and help is immediately available.</p> <div style="border: 1px solid black; padding: 5px; margin-top: 10px;"> <p style="font-size: 8px; margin: 0;">TORO Count on it. Site Search: <input style="width: 150px;" type="text"/> GO</p> <p style="font-size: 8px; margin: 0; text-align: center;"> Homeowner Golf Course Management Professional Contractor Sports Fields & Grounds Irrigation Solutions </p> <div style="display: flex; align-items: center; margin-top: 10px;"> <div> <h3 style="margin: 0;">Toro Solutions Center</h3> <p style="font-size: 8px; margin: 0;">Toro offers a variety of online tools to customers who currently own or are interested in purchasing a Toro product. Refer to the list below for the tools available to Homeowner customers.</p> </div> </div> </div>
	<p>If you have questions concerning your tractor, please call us at 1-888-384-9942 (U.S.) or 1-888-848-4073 (Canada).</p>

SECTION 1: IMPORTANT SAFE OPERATION PRACTICES



WARNING: This symbol points out important safety instructions which, if not followed, could endanger the personal safety and/or property of yourself and others. Read and follow all instructions in this manual before attempting to operate this machine. Failure to comply with these instructions may result in personal injury. When you see this symbol—heed its warning.



DANGER: This machine was built to be operated according to the rules for safe operation in this manual. As with any type of power equipment, carelessness or error on the part of the operator can result in serious injury. This machine is capable of amputating hands and feet and throwing objects. Failure to observe the following safety instructions could result in serious injury or death.

GENERAL OPERATION

1. Read, understand, and follow all instructions on the machine and in the manual(s) before attempting to assemble and operate. Keep this manual in a safe place for future and regular reference and for ordering replacement parts.
2. Be familiar with all controls and their proper operation. Know how to stop the machine and disengage them quickly.
3. Never allow children under 14 years old to operate this machine. Children 14 years old and over should read and understand the operation instructions and safety rules in this manual and should be trained and supervised by a parent.
4. Never allow adults to operate this machine without proper instruction.
5. To help avoid blade contact or a thrown object injury, keep bystanders, helpers, children and pets at least 75 feet from the machine while it is in operation. Stop machine if anyone enters the area.
6. Thoroughly inspect the area where the equipment is to be used. Remove all stones, sticks, wire, bones, toys, and other foreign objects which could be picked up and thrown by the blade(s). Thrown objects can cause serious personal injury.
7. Plan your mowing pattern to avoid discharge of material toward roads, sidewalks, bystanders and the like. Also, avoid discharging material against a wall or obstruction which may cause discharged material to ricochet back toward the operator.
8. Always wear safety glasses or safety goggles during operation and while performing an adjustment or repair to protect your eyes. Thrown objects which ricochet can cause serious injury to the eyes.
9. Wear sturdy, rough-soled work shoes and close-fitting slacks and shirts. Loose fitting clothes and jewelry can be caught in movable parts. Never operate this machine in bare feet or sandals.
10. Be aware of the mower and attachment discharge direction and do not point it at anyone. Do not operate the mower without the discharge cover or entire grass catcher in its proper place.
11. Do not put hands or feet near rotating parts or under the cutting deck. Contact with the blade(s) can amputate hands and feet.
12. A missing or damaged discharge cover can cause blade contact or thrown object injuries.
13. Stop the blade(s) when crossing gravel drives, walks, or roads and while not cutting grass.
14. Watch for traffic when operating near or crossing roadways. This machine is not intended for use on any public roadway.
15. Do not operate the machine while under the influence of alcohol or drugs.
16. Mow only in daylight or good artificial light.
17. Never carry passengers.
18. Disengage blade(s) before shifting into reverse. Back up slowly. Always look down and behind before and while backing to avoid a back-over accident.
19. Slow down before turning. Operate the machine smoothly. Avoid erratic operation and excessive speed.
20. Disengage blade(s), set parking brake, stop engine and wait until the blade(s) come to a complete stop before removing grass catcher, emptying grass, unclogging chute, removing any grass or debris, or making any adjustments.
21. Never leave a running machine unattended. Always turn off blade(s), place transmission in neutral, set parking brake, stop engine and remove key before dismounting.
22. Use extra care when loading or unloading the machine into a trailer or truck. This unit should not be driven up or down ramp(s), because the unit could tip over, causing serious personal injury. The unit must be pushed manually on ramp(s) to load or unload properly.
23. Muffler and engine become hot and can cause a burn. Do not touch.
24. Check overhead clearances carefully before driving under low hanging tree branches, wires, door openings etc., where the operator may be struck or pulled from the unit, which could result in serious injury.

25. Disengage all attachment clutches, depress the brake pedal completely and shift into neutral before attempting to start engine.
26. Your machine is designed to cut normal residential grass of a height no more than 10". Do not attempt to mow through unusually tall, dry grass (e.g., pasture) or piles of dry leaves. Dry grass or leaves may contact the engine exhaust and/or build up on the mower deck presenting a potential fire hazard.
27. Use only accessories and attachments approved for this machine by the machine manufacturer. Read, understand and follow all instructions provided with the approved accessory or attachment.
28. Data indicates that operators, age 60 years and above, are involved in a large percentage of riding mower-related injuries. These operators should evaluate their ability to operate the riding mower safely enough to protect themselves and others from serious injury.
29. If situations occur which are not covered in this manual, use care and good judgment. Contact your authorized dealer for assistance.

SLOPE OPERATION

Slopes are a major factor related to loss of control and tip-over accidents which can result in severe injury or death. All slopes require extra caution. If you cannot back up the slope or if you feel uneasy on it, do not mow it.

For your safety, use the slope gauge included as part of this manual to measure slopes before operating this unit on a sloped or hilly area. If the slope is greater than 15 degrees as shown on the slope gauge, do not operate this unit on that area or serious injury could result.

DO:

1. Mow up and down slopes, not across. Exercise extreme caution when changing direction on slopes.
2. Watch for holes, ruts, bumps, rocks, or other hidden objects. Uneven terrain could overturn the machine. Tall grass can hide obstacles.
3. Use slow speed. Choose a low enough speed setting so that you will not have to stop or shift while on the slope. Tires may lose traction on slopes even though the brakes are functioning properly. Always keep machine in gear when going down slopes to take advantage of engine braking action.
4. Follow the manufacturer's recommendations for wheel weights or counterweights to improve stability.
5. Use extra care with grass catchers or other attachments. These can change the stability of the machine.

6. Keep all movement on the slopes slow and gradual. Do not make sudden changes in speed or direction. Rapid engagement or braking could cause the front of the machine to lift and rapidly flip over backwards which could cause serious injury.
7. Avoid starting or stopping on a slope. If tires lose traction, disengage the blade(s) and proceed slowly straight down the slope.

DO NOT:

1. Do not turn on slopes unless necessary; then, turn slowly and gradually downhill, if possible.
2. Do not mow near drop-offs, ditches or embankments. The mower could suddenly turn over if a wheel is over the edge of a cliff, ditch, or if an edge caves in.
3. Do not try to stabilize the machine by putting your foot on the ground.
4. Do not use a grass catcher on steep slopes.
5. Do not mow on wet grass. Reduced traction could cause sliding.
6. Do not shift to neutral and coast downhill. Over-speeding may cause the operator to lose control of the machine resulting in serious injury or death.
7. Do not tow heavy pull behind attachments (e.g. loaded dump cart, lawn roller, etc.) on slopes greater than 5 degrees. When going down hill, the extra weight tends to push the tractor and may cause you to lose control. (e.g. tractor may speed up, braking and steering ability are reduced, attachment may jack-knife and cause tractor to overturn).

CHILDREN

1. Tragic accidents can occur if the operator is not alert to the presence of children. Children are often attracted to the machine and the mowing activity. They do not understand the dangers. Never assume that children will remain where you last saw them.
 - a. Keep children out of the mowing area and in watchful care of a responsible adult other than the operator.
 - b. Be alert and turn machine off if a child enters the area.
 - c. Before and while backing, look behind and down for small children.
 - d. Never carry children, even with the blade(s) shut off. They may fall off and be seriously injured or interfere with safe machine operation.
 - e. Use extreme care when approaching blind corners, doorways, shrubs, trees or other objects that may block your vision of a child who may run into the machine.
 - f. To avoid back-over accidents, always disengage the cutting blade(s) before shifting

into reverse. The "Reverse Caution Mode" should not be used when children or others are around.

- g. Keep children away from hot or running engines. They can suffer burns from a hot muffler.
 - h. Remove key when machine is unattended to prevent unauthorized operation.
2. Never allow children under 14 years old to operate the machine. Children 14 years old and over should read and understand the operation instructions and safety rules in this manual and should be trained and supervised by a parent.

TOWING

1. Tow only with a machine that has a hitch designed for towing. Do not attach towed equipment except at the hitch point.
2. Follow the manufacturers recommendation for weight limits for towed equipment and towing on slopes.
3. Never allow children or others in or on towed equipment.
4. On slopes, the weight of the towed equipment may cause loss of traction and loss of control.
5. Travel slowly and allow extra distance to stop.
6. Do not shift to neutral and coast downhill.

SERVICE

SAFE HANDLING OF GASOLINE:

1. **To avoid personal injury or property damage** use extreme care in handling gasoline. Gasoline is extremely flammable and the vapors are explosive. Serious personal injury can occur when gasoline is spilled on yourself or your clothes which can ignite. Wash your skin and change clothes immediately.
 - a. Use only an approved gasoline container.
 - b. Never fill containers inside a vehicle or on a truck or trailer bed with a plastic liner. Always place containers on the ground away from your vehicle before filling.
 - c. When practical, remove gas-powered equipment from the truck or trailer and refuel it on the ground. If this is not possible, then refuel such equipment on a trailer with a portable container, rather than from a gasoline dispenser nozzle.
 - d. Keep the nozzle in contact with the rim of the fuel tank or container opening at all times until fueling is complete. Do not use a nozzle lock-open device.
 - e. Extinguish all cigarettes, cigars, pipes and other sources of ignition.
 - f. Never fuel machine indoors.
 - g. Never remove gas cap or add fuel while the engine is hot or running. Allow engine to cool at least two minutes before refueling.

- h. Never over fill fuel tank. Fill tank to no more than ½ inch below bottom of filler neck to allow space for fuel expansion.
- i. Replace gasoline cap and tighten securely.
- j. If gasoline is spilled, wipe it off the engine and equipment. Move unit to another area. Wait 5 minutes before starting the engine.
- k. To reduce fire hazards, keep machine free of grass, leaves, or other debris build-up. Clean up oil or fuel spillage and remove any fuel soaked debris.
- l. Never store the machine or fuel container inside where there is an open flame, spark or pilot light as on a water heater, space heater, furnace, clothes dryer or other gas appliances.
- m. Allow a machine to cool at least 5 minutes before storing.

GENERAL SERVICE:

1. Never run an engine indoors or in a poorly ventilated area. Engine exhaust contains carbon monoxide, an odorless, and deadly gas.
2. Before cleaning, repairing, or inspecting, make certain the blade(s) and all moving parts have stopped. Disconnect the spark plug wire and ground against the engine to prevent unintended starting.
3. Periodically check to make sure the blades come to complete stop within approximately (5) five seconds after operating the blade disengagement control. If the blades do not stop within the this time frame, your unit should be serviced professionally by an authorized dealer.
4. Check brake operation frequently as it is subjected to wear during normal operation. Adjust and service as required.
5. Check the blade(s) and engine mounting bolts at frequent intervals for proper tightness. Also, visually inspect blade(s) for damage (e.g., excessive wear, bent, cracked).
Replace the blade(s) with the original equipment manufacturer's (O.E.M.) blade(s) only, listed in this manual. "Use of parts which do not meet the original equipment specifications may lead to improper performance and compromise safety!"
6. Mower blades are sharp. Wrap the blade or wear gloves, and use extra caution when servicing them.
7. Keep all nuts, bolts, and screws tight to be sure the equipment is in safe working condition.
8. Never tamper with the safety interlock system or other safety devices. Check their proper operation regularly.
9. After striking a foreign object, stop the engine, disconnect the spark plug wire(s) and ground against the engine. Thoroughly inspect the machine for any damage. Repair the damage before starting and operating.

10. Never attempt to make adjustments or repairs to the machine while the engine is running.
11. Grass catcher components and the discharge cover are subject to wear and damage which could expose moving parts or allow objects to be thrown. For safety protection, frequently check components and replace immediately with original equipment manufacturer's (O.E.M.) parts only, listed in this manual. "Use of parts which do not meet the origi-

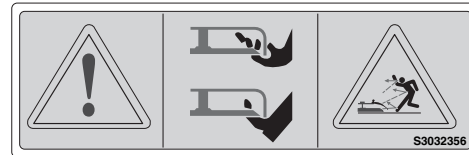
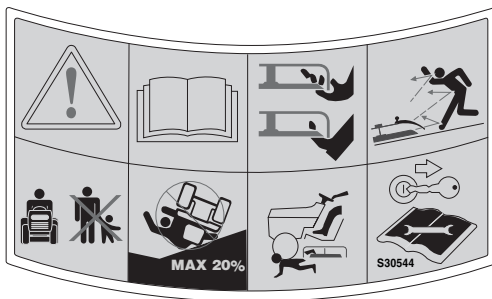
nal equipment specifications may lead to improper performance and compromise safety!"

12. Do not change the engine governor settings or over-speed the engine. The governor controls the maximum safe operating speed of the engine.
13. Maintain or replace safety and instruction labels, as necessary.
14. Observe proper disposal laws and regulations for gas, oil, etc. to protect the environment.



WARNING: YOUR RESPONSIBILITY Restrict the use of this power machine to persons who read, understand and follow the warnings and instructions in this manual and on the machine.

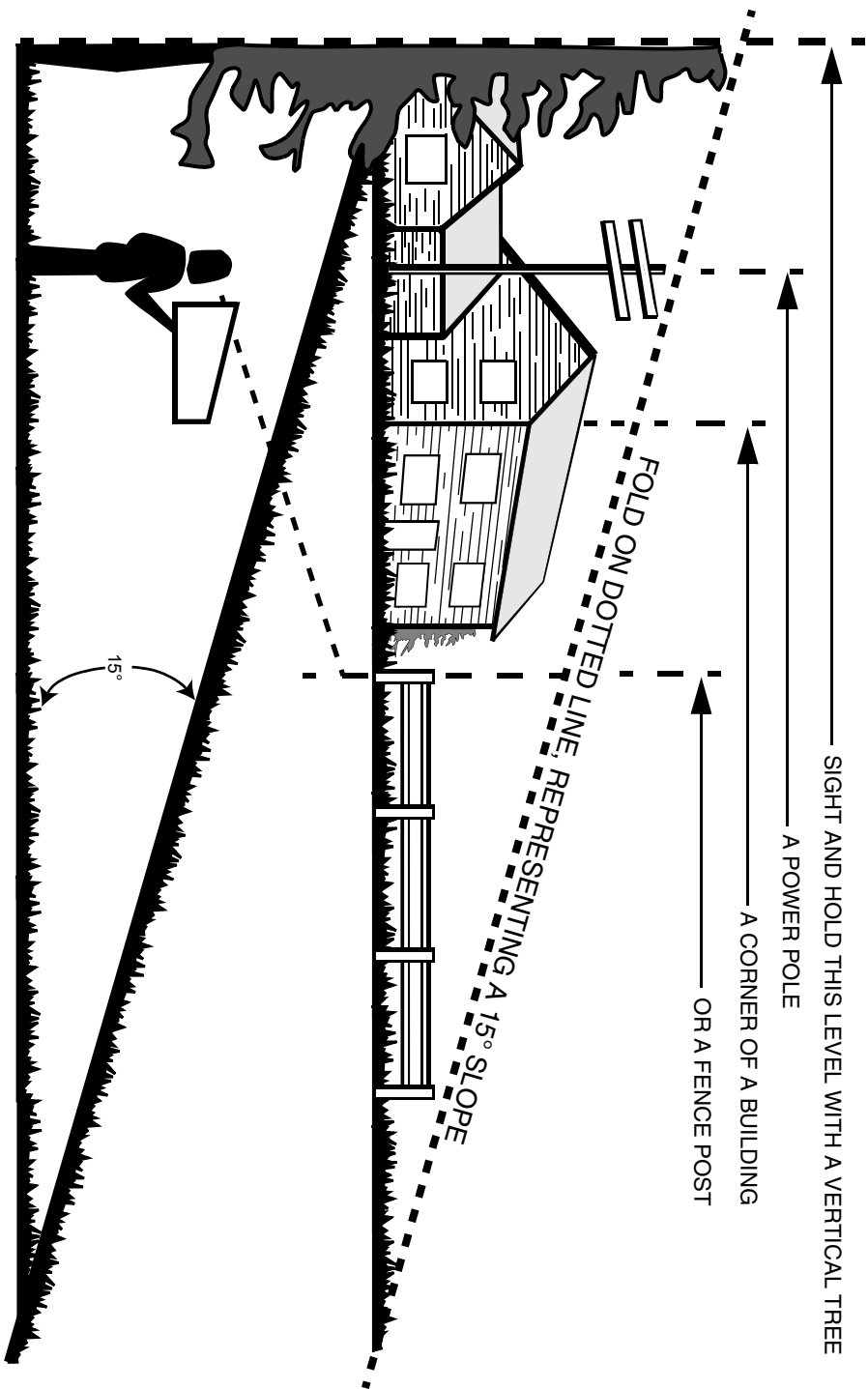
SECTION 2: SAFETY LABELS



Safety Labels found on your unit

SECTION 3: SLOPE GAUGE

USE THIS PAGE AS A GUIDE TO DETERMINE SLOPES WHERE YOU MAY NOT OPERATE SAFELY.



Do not mow on inclines with a slope in excess of 15 degrees (a rise of approximately 2-1/2 feet every 10 feet). A riding mower could overturn and cause serious injury. If operating a walk-behind mower on such a slope, it is extremely difficult to maintain your footing and you could slip, resulting in serious injury. Operate RIDING mowers up and down slopes, never across the face of slopes.

SECTION 4: TRACTOR SET-UP

NOTE: Reference to *RIGHT* or *LEFT* side of the tractor in this manual is observed from operator's position.

ATTACHING THE BATTERY CABLES

NOTE: The battery cables may or may not be attached on your unit. If the cables are not attached, please follow the instructions below.

NOTE: The positive battery terminal is marked *Pos.* (+). The negative battery terminal is marked *Neg.* (-).

- The positive cable (heavy red wire) is secured to the positive battery terminal (+) with a hex bolt and hex nut at the factory. Make certain that the rubber boot covers the terminal to help protect it from corrosion.
- Remove the hex bolt and wing nut from the negative cable.
- Remove the black plastic cover, if present, from the negative battery terminal and attach the negative cable (heavy black wire) to the negative battery terminal (-) with the bolt and wing nut.
- Make certain the battery retainer rod is in position over the battery, securing it in place. See Figure 1.

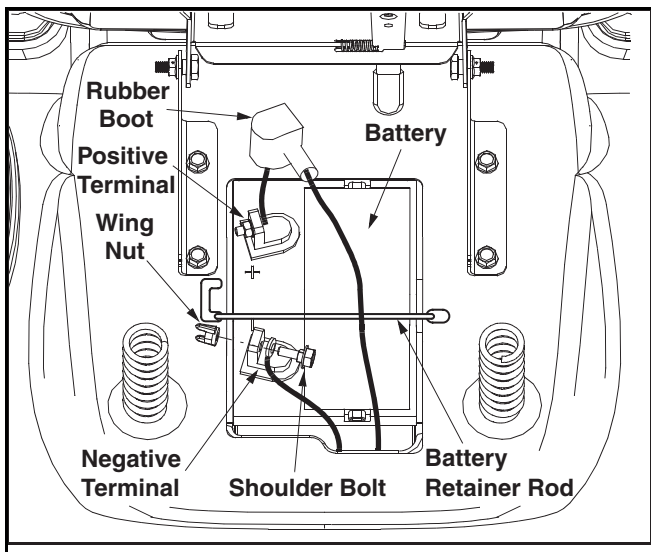


Figure 1

NOTE: If the battery is put into service after the date shown on top of battery, charge the battery as instructed on page 22 of this manual prior to operating the tractor.

ATTACHING THE STEERING WHEEL

In the event your tractor was crated with the steering wheel and the seat removed for shipping reasons, use the following instructions to properly assemble the parts.



WARNING: Do NOT operate the tractor without first attaching both the steering wheel AND the seat. Doing so could result in serious injury to the operator.

NOTE: There are two different styles of steering wheel cap. See Figure 2. **Styles vary by model.**

- Using your hands, place the tractor's front tires in position for straight-ahead travel.
- Remove the steering wheel cap from the center of the steering wheel. Be careful not to lose the hex screw and cupped washer found beneath it.
- Place the steering wheel (in position for straight-ahead travel) directly onto the steering shaft found in the center of the tractor's dash.
- Place the cupped washer (cupped side DOWN) over the steering shaft.
- Thread the hex screw into the steering shaft and tighten securely.
- Reinsert the steering wheel cap in the center of the steering wheel. Refer to Figure 2.

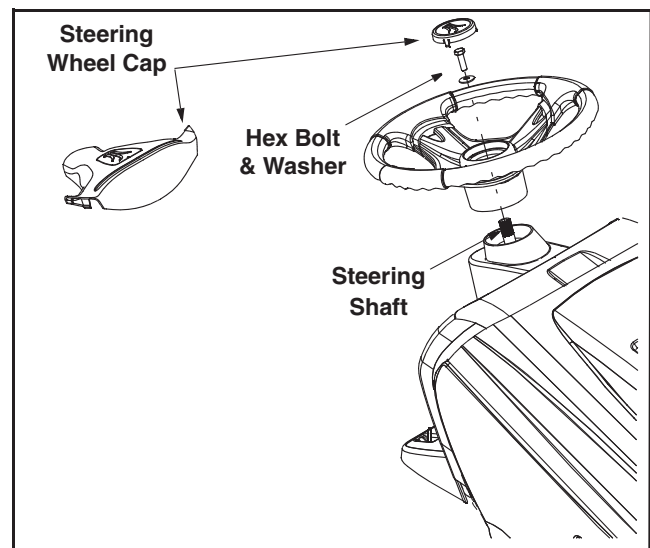


Figure 2

ATTACHING THE SEAT

Refer to Figures 3 and 4 to identify your tractor's seat style and follow applicable instructions.

NOTE: For shipping reasons, seats are either fastened to the tractor seat's pivot bracket with a plastic tie, or mounted backward to the pivot bracket. In either case, free the seat from its shipping position and remove the two hex screws (or knobs, on models so equipped) from the bottom of seat before proceeding with applicable instructions below.

Quick Adjustment Seat

NOTE: If your seat was shipped mounted backwards on the seat pivot bracket, pull out the tab found on the seat stop and hold it open while sliding the seat off the seat pivot bracket. See Figure 3.

- Line up the plastic seat spacers with the slots in seat pivot bracket.
- Slide seat in until front seat spacer engages the seat stop. See Figure 3.

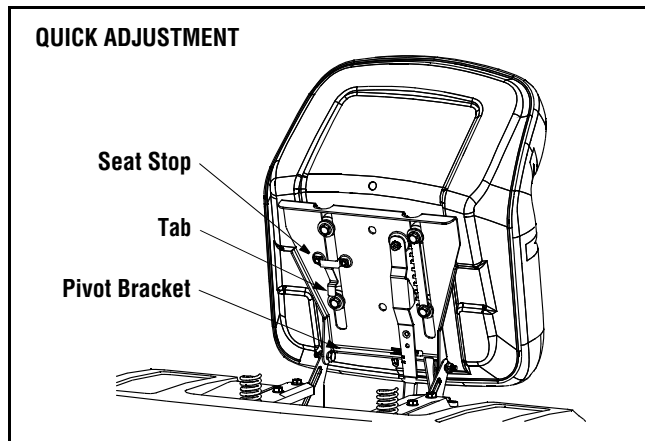


Figure 3



WARNING: Before operating this machine, make sure the seat is engaged in the seat stop, stand behind the machine and pull back on seat until fully engaged into stop.

Knob Adjustment Seat

- Position the shoulder screws (found on the base of the seat) inside the slot openings in the seat pivot bracket. See Figure 4.
- Slide the seat slightly rearward in the seat pivot bracket, lining up the rear slots in the pivot bracket with the remaining two holes in the seat's base.
- Select desired position for the seat, and secure with the two knobs removed earlier. See Figure 4.

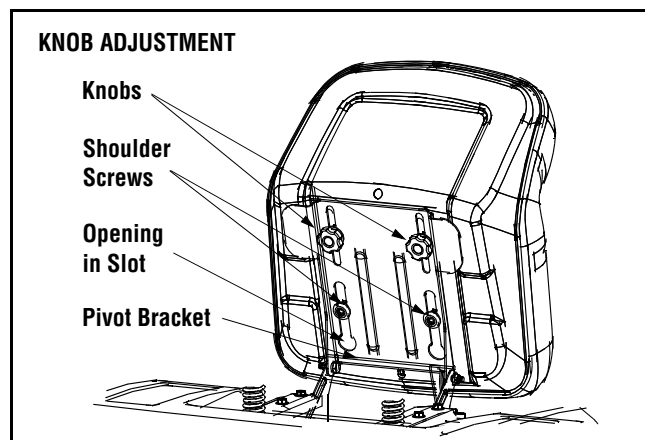


Figure 4

GAS AND OIL FILL-UP

The gasoline tank is located under the hood and has a capacity of either two or three gallons. Do not overfill.



WARNING: Use extreme care when handling gasoline. Gasoline is extremely flammable and the vapors are explosive. Never fuel machine indoors or while the engine is hot or running. Extinguish cigarettes, cigars, pipes, and other sources of ignition.

Service the engine with gasoline and oil as instructed in the separate engine manual packed with your tractor. Read instructions carefully.

IMPORTANT: Your tractor is shipped with oil; however, you **MUST** check the oil level before operating. Be careful not to overfill. Overfilling with oil may cause the engine to smoke. This will result in poor engine performance and could cause permanent engine damage.



WARNING: The mowing deck is capable of throwing objects. Failure to operate the riding mower without the discharge cover in the proper operating position could result in serious personal injury and/or property damage.

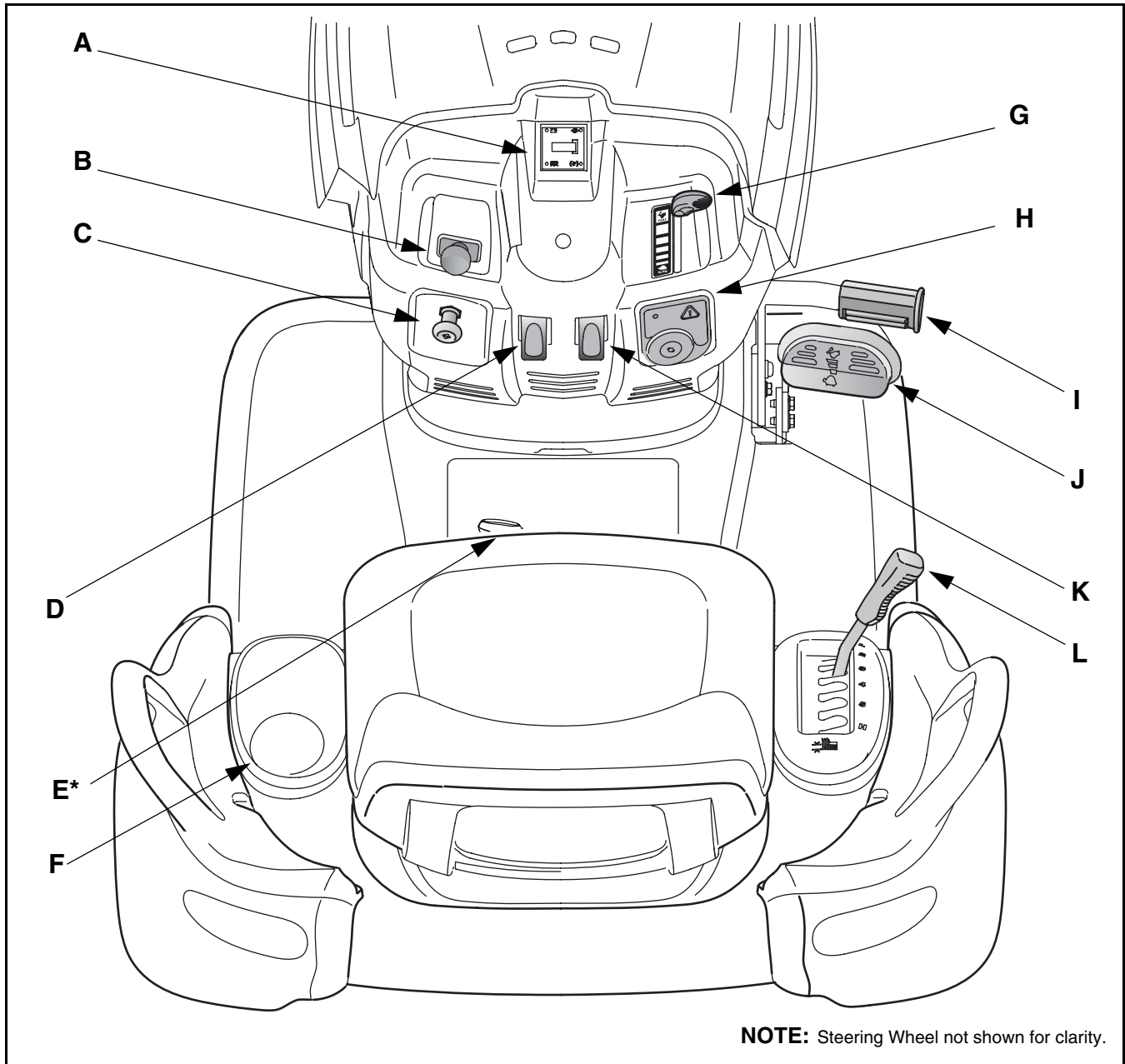
TIRE PRESSURE



WARNING: Maximum tire pressure under any circumstances is 30 p.s.i. Equal tire pressure should be maintained at all times.

The tires on your unit may be over-inflated for shipping purposes. Reduce the tire pressure before operating the tractor. Recommended operating tire pressure is approximately 10 p.s.i. for the rear tires & 14 p.s.i. for the front tires. Check the sidewall of tire for maximum p.s.i.

SECTION 5: KNOW YOUR GARDEN TRACTOR



- | | |
|---|---------------------------------|
| A Systems Indicator Monitor/Hour Meter | G Throttle Control |
| B PTO (Blade Engage) Knob | H Ignition Switch Module |
| C Choke Control | I Brake Pedal |
| D Parking Brake Lever | J Drive Pedal |
| E* Shift Lever * | K Cruise Control Lever |
| F Cup Holder | L Deck Lift Lever |

NOTE: Any reference in this manual to the *RIGHT* or *LEFT* side of the tractor is observed from operator's position

* Located on the fender, between the operator's legs.

THROTTLE CONTROL LEVER

The throttle control lever is located on the right side of the tractor's dash panel. This lever controls the speed of the engine and, on some models, when pushed all the way forward, the choke control also. When set in a given position, the throttle will maintain a uniform engine speed. See Figure 5.

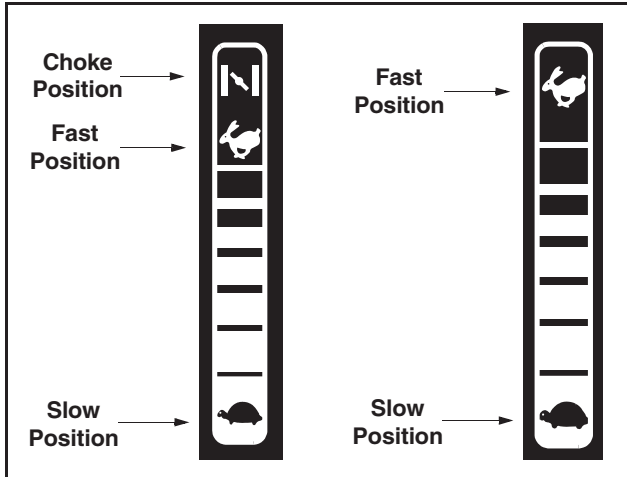
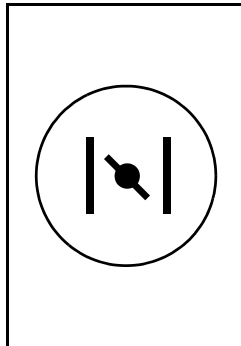


Figure 5

IMPORTANT: When operating the tractor with the cutting deck engaged, be certain that the throttle lever is always in the FAST (rabbit) position.

CHOKE CONTROL

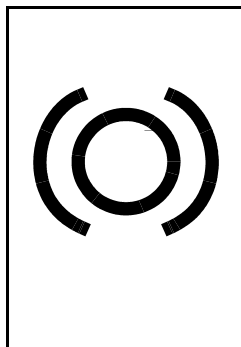
The choke control can be found on the left side of the dash panel and is activated by pulling the knob outward. Activating the choke control closes the choke plate on the carburetor and aids in starting the engine. Refer to STARTING THE ENGINE in the OPERATION section of this manual for detailed starting instructions.



BRAKE PEDAL

The brake pedal is located on the right front side of the tractor above the drive pedal along the running board. The brake pedal can be used for sudden stops or setting the parking brake.

NOTE: The brake pedal must be fully depressed to activate the safety interlock switch when starting the tractor.



IGNITION SWITCH



WARNING: Never leave a running machine unattended. Always disengage PTO, move shift lever into neutral position, set parking brake, stop engine and remove key to prevent unintended starting.

To start the engine, insert the key into the ignition switch and turn clockwise to the **START** position. Release the key into the **NORMAL MOWING MODE** position once the engine has fired.

To stop the engine, turn the ignition key counterclockwise to the **STOP** position. See Figure 6.

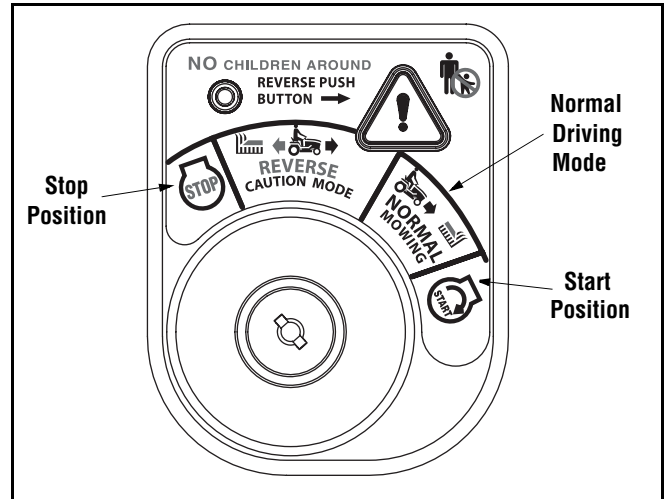
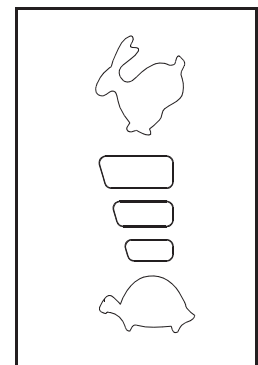


Figure 6

IMPORTANT: Prior to operating the tractor, refer to both **Safety Interlock Switches**, page 13 and **Starting The Engine**, page 14 of this manual for detailed instructions regarding the Ignition Switch Module and operating the tractor in **REVERSE CAUTION MODE**.

DRIVE PEDAL

The drive pedal is located below the brake pedal on the right front side of the tractor along the running board. Depress the drive pedal with your right foot when the tractor shift lever is in either FORWARD or REVERSE to cause the tractor to move. Ground speed is also controlled with the drive pedal. The further down the pedal is depressed, the faster the tractor will travel. The pedal will return to its original position when it's not depressed.



IMPORTANT: Always set the parking brake when leaving the tractor unattended.

SYSTEMS INDICATOR MONITOR

LCD

Located in the center of the tractor's console, the systems indicator monitor records, and displays on its LCD, hours of tractor operation whenever the ignition key is rotated out of the STOP position.

The indicator Monitor will also remind the operator of maintenance intervals for changing the engine oil. The LCD will alternately flash the recorded hours, "CHG" and "OIL" for five minutes, after every 50 hours of recorded operation elapse. The maintenance interval lasts for two hours (from 50-52, 100-102, 150-152, etc.). The LCD will also flash as described above for five minutes every time the tractor's engine has been started during this maintenance interval. Before the interval expires, change the crankcase oil level as instructed in this Operator's Manual.

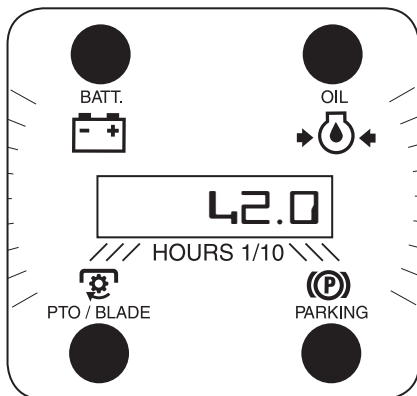


Figure 7

If the Brake light or PTO light illuminates when attempting to start the unit, proceed as follows:

- Brake** — Engage the parking brake.
- PTO** — Move the PTO lever into the disengaged (Blade Stop) position.

It is normal for the Oil light and the Battery light to illuminate while the engine is **cranking**, but if either illuminates while the **engine is running**, proceed as follows:

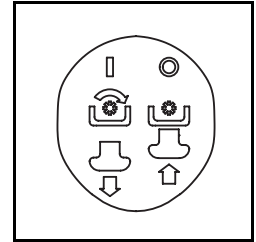
- Oil**— Stop the tractor immediately and check the crankcase oil level as instructed in the Engine Owner's Manual included with your unit. Add oil as required.
- Battery**— If this light illuminate's while the engine is running, it indicates that the battery is in need of a charge OR that the engine's charging system is not generating sufficient amperage. Refer to the MAINTENANCE section of this manual for the proper battery charging procedure or have the engine's charging system checked by a *authorized* dealer.

On units so equipped, **the ammeter** measures the electrical output of the engine's charging system. Under normal operating conditions, with the engine at full throttle, the ammeter's needle should measure a positive charge.

The **hour meter**, on units so equipped, operates whenever the engine is running and records the actual hours of tractor operation.

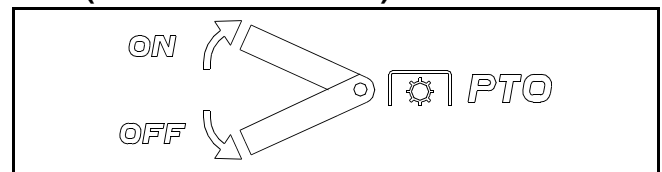
ELECTRIC PTO (POWER TAKE-OFF) KNOB

To engage the power to the cutting deck or other (separately available) attachments on models so equipped with an electric PTO, pull outward on the PTO knob. Push the PTO knob inward to disengage the power to the cutting deck.



NOTE: The PTO knob **must** be in the disengaged (Blade Stop) position when starting the engine.

PTO (POWER TAKE-OFF) LEVER



On models equipped with a manual PTO, the PTO lever is located on the left side of the dashboard next to the steering wheel. Move the PTO lever forward to engage the power to the cutting deck or other (separately available) attachments; move the PTO lever rearward to disengage the power.

NOTE: The PTO lever **must** be in the disengaged (Blade Stop) position when starting the engine.

SEAT ADJUSTMENT LEVER

To adjust the seat forward or backward on units equipped with a quick-adjust seat, slide the seat adjustment lever to the left and reposition the seat to the desired position. Once a comfortable position is found, release the seat adjustment lever to lock the seat in place. Refer to SEAT ADJUSTMENTS in the MAKING ADJUSTMENTS section of this manual for more detailed instructions.

DECK LIFT LEVER

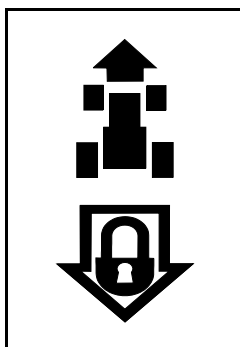
Found on your tractor's right fender, the deck lift lever is used to change the height of the cutting deck. To use, move the lever to the left, then place in the notch best suited for your application.

CUP HOLDER

The tractor's cup holder is located on the fender to the left of the seat, just to the rear of the parking brake lever.

CRUISE CONTROL BUTTON

The cruise control button is located on the tractor dash panel to the left of the ignition switch. Push the cruise control button while traveling forward at a desired speed. While holding the button in, release pressure from the drive pedal. This will engage the cruise control and allow the tractor to remain at that speed without applying pressure to the drive pedal. Depress the brake pedal or the drive pedal to deactivate cruise control. Refer to OPERATION SECTION of this manual for detailed instructions regarding the cruise control feature.



NOTE: Cruise control can NOT be engaged at the tractor's fastest ground speed. If the operator should attempt to do so, the tractor will automatically decelerate to the fastest optimal mowing ground speed.

SHIFT LEVER

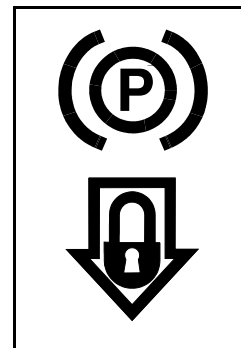
The shift lever is located on the front of the fender between the operator's legs and has four positions, FORWARD-HI, FORWARD-LO, NEUTRAL and REVERSE. The brake pedal must be depressed and

the tractor must not be in motion when moving the shift lever. Always bring the tractor to a complete stop prior to moving the shift lever from FORWARD-HI to FORWARD-LO or vice-versa.

IMPORTANT: Never force the shift lever. Doing so may result in serious damage to the tractor's transmission.

PARKING BRAKE BUTTON


To set the parking brake, fully depress the brake pedal and push the parking brake button in. Hold the button in while taking your foot off the brake pedal. Both the parking button and the brake pedal will then stay depressed. To release the parking brake, depress the brake pedal slightly. The parking brake button will then return to its original position.



NOTE: The parking brake must be set if the operator leaves the seat with the engine running or the engine will automatically shut off.

IMPORTANT: Always set the parking brake when leaving the tractor unattended.

SECTION 6: OPERATING YOUR GARDEN TRACTOR




WARNING

AVOID SERIOUS INJURY OR DEATH

- GO UP AND DOWN SLOPES, NOT ACROSS.
- AVOID SUDDEN TURNS.
- DO NOT OPERATE THE UNIT WHERE IT COULD SLIP OR TIP.
- IF MACHINE STOPS GOING UPHILL, STOP BLADE(S) AND BACK DOWNHILL SLOWLY.
- DO NOT MOW WHEN CHILDREN OR OTHERS ARE AROUND.
- NEVER CARRY CHILDREN, EVEN WITH BLADES OFF.
- LOOK DOWN AND BEHIND BEFORE AND WHILE BACKING.
- KEEP SAFETY DEVICES (GUARDS, SHIELDS, AND SWITCHES) IN PLACE AND WORKING.
- REMOVE OBJECTS THAT COULD BE THROWN BY THE BLADE(S).
- KNOW LOCATION AND FUNCTION OF ALL CONTROLS.
- BE SURE BLADE(S) AND ENGINE ARE STOPPED BEFORE PLACING HANDS OR FEET NEAR BLADE(S).
- BEFORE LEAVING OPERATOR'S POSITION, DISENGAGE BLADE(S), PLACE THE SHIFT LEVER IN NEUTRAL, ENGAGE BRAKE LOCK, SHUT ENGINE OFF AND REMOVE KEY.

READ OPERATOR'S MANUAL

 **WARNING:** Read, understand, and follow all instructions and warnings on the machine and in this manual before operating.

SAFETY INTERLOCK SWITCHES

This tractor is equipped with a safety interlock system for the protection of the operator. If the interlock system

should ever malfunction, do not operate the tractor. Contact an authorized service dealer.

- The safety interlock system prevents the engine from cranking or starting unless the parking brake is engaged, and the PTO (Blade Engage) knob (or lever) is in the disengaged (Blade Stop) position.
- The engine will automatically shut off if the operator leaves the seat before engaging the parking brake.

Models with Manual PTO (Blade Engage)

- The engine will automatically shut off if the operator leaves the tractor's seat with the PTO (Blade Engage) lever in the engaged (ON) position, regardless of whether the parking brake is engaged.
- With the ignition key in the **NORMAL MOWING** position, the engine will automatically shut off if the PTO (Blade Engage) lever is moved into the engaged (ON) position with the shift lever in Reverse.

Models with Electric PTO (Blade Engage)

- The electric PTO (Blade Engage) clutch will automatically shut off if the operator leaves the tractor's seat with the PTO (Blade Engage) knob in the engaged (ON) position, regardless of whether the parking brake is engaged.

- With the ignition key in the **NORMAL MOWING** position, the electric PTO (Blade Engage) clutch will automatically shut off if the PTO (Blade Engage) knob is moved into the engaged (ON) position with the shift lever in Reverse.



WARNING: Do not operate the tractor if the interlock system is malfunctioning. This system was designed for your safety and protection.

REVERSE CAUTION MODE

The **REVERSE CAUTION MODE** position of the key switch module allows the tractor to be operated in reverse with the blades (PTO) engaged.

IMPORTANT: *Mowing in reverse is not recommended.*



WARNING: Use extreme caution while operating the tractor in the **REVERSE CAUTION MODE**. Always look down and behind before and while backing. Do not operate the tractor when children or others are around. Stop the tractor immediately if someone enters the area.

To use the **REVERSE CAUTION MODE**:

IMPORTANT: The operator **MUST** be seated in the tractor seat.

1. Start the engine as previously instructed in this Operator's Manual.
2. Turn the key from the **NORMAL MOWING** (Green) position to the **REVERSE CAUTION MODE** (Yellow) position of the key switch module. See Figure 8.
3. Depress the **REVERSE PUSH BUTTON** (Orange, Triangular Button) at the top, right corner of the key switch module. The red indicator light at the top, left corner of the key switch module will be **ON** while activated. See Figure 8.
4. Once activated (indicator light **ON**), the tractor can be driven in reverse with the cutting blades (PTO) engaged.
5. Always look down and behind before and while backing to make sure no children are around.
6. After resuming forward motion, return the key to the **NORMAL MOWING** position.

IMPORTANT: The **REVERSE CAUTION MODE** will remain activated until:

- a. The key is placed in either the **NORMAL MOWING** position or **STOP** position.
- b. The operator leaves the seat (Models with Electric PTO ONLY).
- c. The operator engages the parking brake by fully depressing the brake pedal and holding it down while gently pushing the parking brake button inward (Models with Manual PTO ONLY).

SETTING THE CUTTING HEIGHT

Select the height position of the cutting deck by placing the deck lift lever in any of the six different cutting height notches on the right side of the fender. Then adjust the deck wheels so that they are between ¼-inch and ½-inch above the ground when the tractor is on a smooth, flat surface such as a driveway.

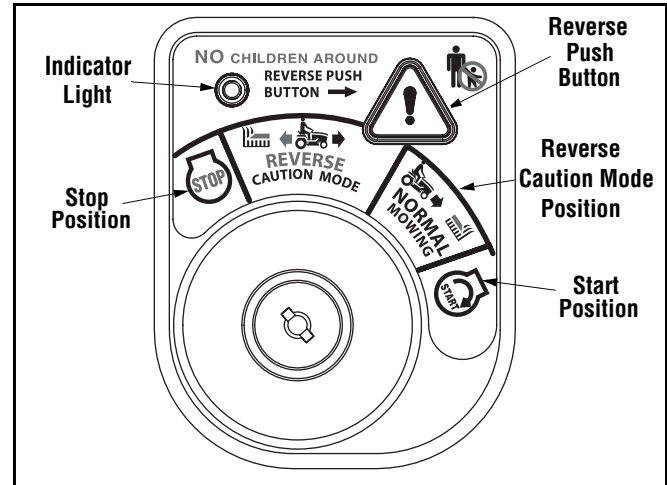


Figure 8



WARNING: Keep hands and feet away from the discharge opening of the cutting deck.

NOTE: *The deck wheels are an anti-scalp feature of the deck and are not designed to support the weight of the cutting deck.*

Refer to the **ADJUSTMENTS** section of this manual for more detailed instructions regarding various deck adjustments.

STARTING THE ENGINE



WARNING: Do not operate the tractor if the interlock system is malfunctioning. This system was designed for your safety and protection.

NOTE: *Refer to the TRACTOR SET-UP section of this manual for Gasoline and Oil fill-up instructions.*

- Insert the tractor key into the ignition switch.
- Place the PTO knob (or lever) in the disengaged (Blade Stop) position.
- Engage the tractor's parking brake.
- Place the throttle control in the FAST (rabbit) position.
- Pull the choke control outward, if so equipped (a warm engine may not require choking).
- Turn the ignition key clockwise to the **START** position. After the engine starts, release the key. It will return to the **NORMAL MOWING** position.

IMPORTANT: Do **NOT** hold the key in the **START** position for longer than ten seconds at a time. Doing so may cause damage to your engine's electric starter.

NOTE: If starting problems are encountered, refer to the TROUBLESHOOTING section of this manual.

- After the engine starts, deactivate the choke control.

NOTE: Do **NOT** leave the choke control on while operating the tractor. Doing so will result in a "rich" fuel mixture and cause the engine to run poorly.

STOPPING THE ENGINE



WARNING: If you strike a foreign object, stop the engine, disconnect the spark plug wire(s) and ground against the engine. Thoroughly inspect the machine for any damage. Repair the damage before restarting and operating.

- If the blades are engaged, place the PTO/Blade Engage knob (or lever) in the disengaged (Blade Stop) position.
- Turn the ignition key counterclockwise to the STOP position.
- Remove the key from the ignition switch to prevent unintended starting.

ENGAGING THE PARKING BRAKE

To engage the parking brake:

- Fully depress the brake pedal and hold it there while gently pushing the parking brake button inward.
- Hold the parking brake button in while removing your foot from the brake pedal.
- Once engaged, the parking brake button and the brake pedal will lock in the "down" position.

To disengage the parking brake:

- Slightly depress the brake pedal.

NOTE: The parking brake must be engaged if the operator leaves the seat with the engine running or the engine will automatically shut off.

DRIVING THE TRACTOR



WARNING: Avoid sudden starts, excessive speed and sudden stops.



WARNING: Do not leave the seat of the tractor without first placing the PTO knob (or lever) in the disengaged (Blade Stop) position, depressing the brake pedal and engaging the parking brake. If leaving the tractor unattended, also turn the ignition key off and remove the key.

- Depress the brake pedal to release the parking brake and let the pedal up.
- Move the throttle lever into the FAST (rabbit) position.

- To move forward, place the shift lever in the FORWARD position, then slowly depress the drive pedal until the desired speed is achieved.
- To move in reverse, place the shift lever in the REVERSE position, check that the area behind is clear then slowly depress the drive pedal.

IMPORTANT: Do NOT use the shift lever to change the direction of travel when the tractor is in motion. Always use the brake pedal to bring the tractor to a complete stop before shifting.

DRIVING ON SLOPES

Refer to the SLOPE GAUGE on page 7 to help determine slopes where you may not operate safely.



WARNING: Do not mow on inclines with a slope in excess of 15 degrees (a rise of approximately 2-1/2 feet every 10 feet). The tractor could overturn and cause serious injury.

- Mow up and down slopes, **NEVER** across.
- Exercise extreme caution when changing direction on slopes.
- Watch for holes, ruts, bumps, rocks, or other hidden objects. Uneven terrain could overturn the machine. Tall grass can hide obstacles.
- Avoid turns when driving on a slope. If a turn must be made, turn down the slope. Turning up a slope greatly increases the chance of a roll over.
- Avoid stopping when driving up a slope. If it is necessary to stop while driving up a slope, start up smoothly and carefully to reduce the possibility of flipping the tractor over backward.

SETTING THE CRUISE CONTROL

NOTE: The cruise control feature should only be utilized while traveling in the forward direction.

- Place the shift lever in the FORWARD position, then slowly depress the drive pedal until the desired speed is achieved.
- Lightly depress the cruise control button.
- While continuing to hold the cruise button in, lift your foot from the drive pedal (you should feel the cruise latch engage).
- Once engaged, the cruise control button and the drive pedal will lock in the "down" position, and the tractor will maintain the same forward speed.

NOTE: Cruise control cannot be engaged at the tractor's fastest ground speed. If the operator should attempt to do so, the tractor will automatically decelerate to the fastest optimal mowing ground speed.

Disengage the cruise control using one of the following methods:

- Depress the brake pedal to disengage the cruise control and stop the tractor.
- Lightly depress the drive pedal.

To change the direction of travel to reverse when operating with cruise control, depress the brake pedal to disengage the cruise control and bring the tractor to a complete stop. Place the shift lever in the REVERSE position, check that the area behind is clear then slowly depress the drive pedal.

ENGAGING THE PTO

Engaging the PTO transfers power to the cutting deck or other (separately available) attachments. To engage the PTO, proceed as follows:

- Move the throttle control lever to the FAST (rabbit) position.

Models with manual PTO

- Grasp the PTO lever and pivot it all the way forward into the engaged (ON) position.

Models with electric PTO

- Pull the PTO knob outward into the engaged (ON) position. See Figure 9.

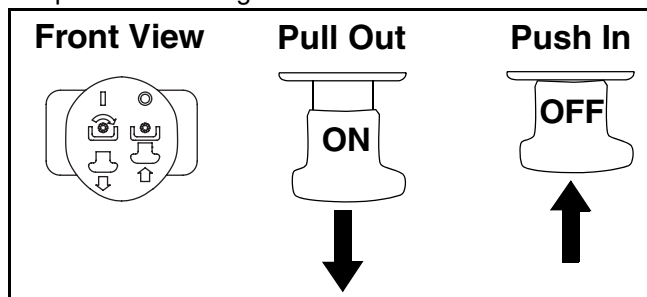


Figure 9

NOTE: Keep the throttle lever in the FAST (rabbit) position for the most efficient use of the cutting deck or other (separately available) attachments.

IMPORTANT: The engine or electric PTO clutch will automatically shut off if the PTO is engaged with the drive pedal in position for reverse travel. Refer to SAFETY INTERLOCK SWITCHES earlier in this section.

- To disengage the PTO, push the PTO knob in, or move the PTO lever to the “Blade Stop” position. This will cut off power to deck or other attachments.

USING THE LIFT LEVER

To raise the cutting deck, move the lift lever to the left, then place it in the notch best suited for your application. Refer to SETTING THE CUTTING HEIGHT earlier in this section.

MOWING



WARNING: To help avoid blade contact or a thrown object injury, keep bystanders, helpers, children and pets at least 75 feet from the machine while it is in operation. Stop machine if anyone enters the area.

This tractor is equipped with a high quality cutting deck. The following information will be helpful when using the cutting deck with your tractor.

- Do not mow at high ground speed, especially if a mulch kit or grass collector is installed.



WARNING: Plan your mowing pattern to avoid discharge of materials toward roads, sidewalks, bystanders and the like. Also, avoid discharging material against a wall or obstruction which may cause discharged material to ricochet back toward the operator.

- For best results it is recommended that the first two laps be cut with the discharge thrown towards the center. After the first two laps, reverse the direction to throw the discharge to the outside for the balance of cutting. This will give a better appearance to the lawn.
- Do not cut the grass too short. Short grass invites weed growth and yellows quickly in dry weather.
- Mowing should always be done with the engine at full throttle.
- Under heavier conditions it may be necessary to go back over the cut area a second time to get a clean cut.
- Do NOT attempt to mow heavy brush and weeds and extremely tall grass. Your tractor is designed to mow lawns, NOT clear brush.
- Keep the blades sharp and replace the blades when worn. Refer to the SERVICE section of this manual for proper blade sharpening instructions.

HEADLIGHTS

On some models, the lamps are ON whenever the tractor’s engine is running. On other models, the lamps are ON whenever the ignition key is moved out of the STOP position.

On all models, the lamps turn OFF when the ignition key is moved to the STOP position.

NOTE: Never move the key into the Start position while the engine is running. Doing so may cause damage to your engine’s electric starter.

SECTION 7: MAKING ADJUSTMENTS



WARNING: Never attempt to make any adjustments while the engine is running, except where specified in the operator's manual.



WARNING: Disconnect the spark plug wire(s) and ground against the engine before performing any adjustments, repairs or maintenance.

LEVELING THE DECK

NOTE: Check the tractor's tire pressure before performing any deck leveling adjustments. Refer to *TIRES* in the maintenance section of this manual for further information regarding tire pressure.

Front To Rear

The front of the cutting deck is supported by a stabilizer bar that can be adjusted to level the deck from front to rear. The front of the deck should be between 1/4-inch and 3/8-inch lower than the rear of the deck. Adjust if necessary as follows:

- With the tractor parked on a firm, level surface, place the deck lift lever in the top notch (highest

position) and rotate the blade nearest the discharge chute so that it is parallel with the tractor.

- Measure the distance from the front of the blade tip to the ground and the rear of the blade tip to the ground.
- The first measurement taken should be between 1/4" and 3/8" less than the second measurement.
- Determine the approximate distance necessary for proper adjustment and proceed, if necessary, to the next step.
- From the front of the tractor, loosen the outermost hex lock nut on the end of the deck hanger rod. See Figure 10A.
- Tighten the inner hex nut front against the front hanger bracket to raise the front of the deck; loosen the hex nut to lower the front of the deck. See Figure 10A.
- Retighten the two lock nuts against the inner hex nuts when proper adjustment is achieved.

Side to Side

If the cutting deck appears to be mowing unevenly, a side to side adjustment can be performed. Adjust if necessary as follows:

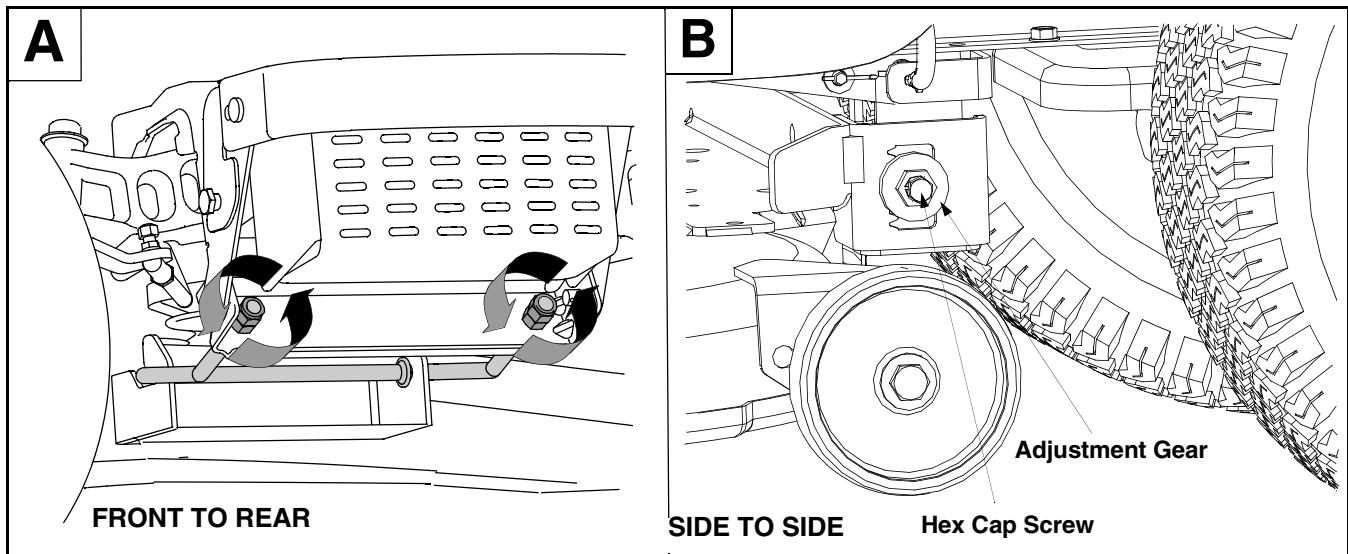


Figure 10

- With the tractor parked on a firm, level surface, place the deck lift lever in the top notch (highest position) and rotate both blades so that they are perpendicular with the tractor.
- Measure the distance from the outside of the left blade tip to the ground and the distance from the outside of the right blade tip to the ground. Both measurements taken should be equal. If they're not, proceed to the next step.
- Loosen, but do **NOT** remove, the hex cap screw on the left deck hanger bracket. See Figure 10B.
- Balance the deck by using a wrench to turn the adjustment gear (found immediately behind the hex cap screw just loosened) clockwise/up or counterclockwise/down.
- The deck is properly balanced when both blade tip measurements taken earlier are equal.
- Retighten the hex cap screw on the left deck hanger bracket when proper adjustment is achieved.

SEAT ADJUSTMENT



WARNING: Before operating this machine, make sure the seat is engaged in the seat stop, stand behind the machine and pull back on seat until fully engaged into stop.

Quick-Adjust Seat (If so equipped)

To adjust the position of the seat, move the seat adjustment lever to the left and slide the seat forward or rearward. Make sure seat is locked into position before operating the tractor. See Figure 11.

Knob Adjustment Seat (If so equipped)

To adjust the position of the seat on models so equipped, loosen the two knobs on the bottom of the seat. Slide the seat forward or backward as desired. Retighten the two knobs.

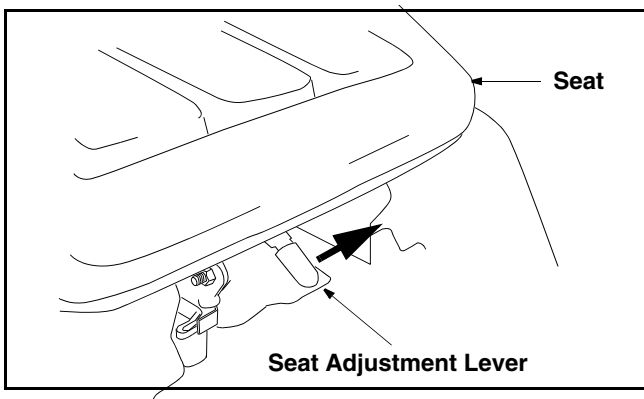


Figure 11

PARKING BRAKE ADJUSTMENT



Never attempt to adjust the brakes while the engine is running. Always disengage PTO, move shift lever into neutral position, stop engine and remove key to prevent unintended starting.

If the tractor does not come to a complete stop when the brake pedal is completely depressed, or if the tractor's rear wheels can roll with the parking brake applied, the brake is in need of adjustment. The brake disc can be found on the right side of the transmission in the rear of the tractor. Adjust if necessary as follows:

- Looking at the transmission from the right side of the tractor, locate the compression spring and brake disc.
- Loosen, but do **NOT** remove, the hex nut found on the right side of the brake assembly.
- Using a feeler gauge, set the gap between the brake disc and the brake puck at 0.011 inches.
- Re-tighten the hex nut loosened earlier.

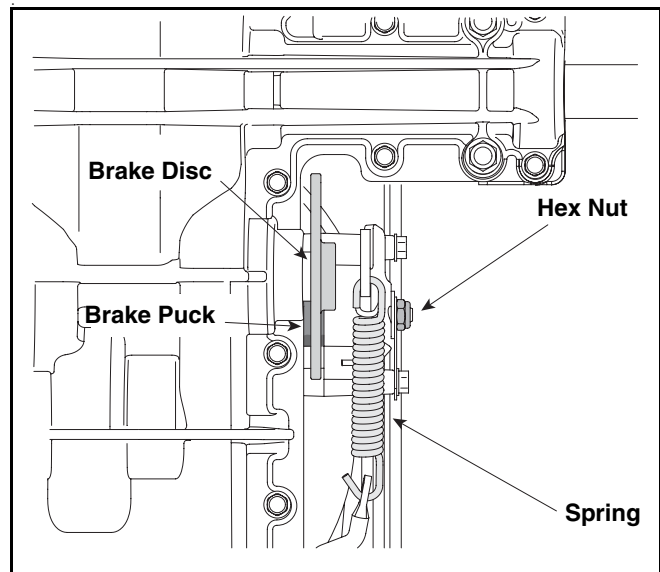


Figure 12

STEERING ADJUSTMENT

If the tractor turns tighter in one direction than the other, or if the ball joints are being replaced due to damage or wear, the steering drag links may need to be adjusted.

Adjust the drag links so that equal lengths are threaded into the ball joint on the left side and the ball joint on the right side:

- Loosen the jam nut found on the drag link at the rear of the ball joint. See Figure 13.
- Remove the hex nut and lock washer on the top of ball joint. See Figure 13.
- Thread the ball joint toward the jam nut to shorten the drag link. Thread the ball joint away from the jam nut to lengthen the drag link.
- Replace hex nut and lock washer and retighten the jam nut after proper adjustment is achieved.

NOTE: Threading the ball joints too far onto the drag links will cause the front tires to "toe-in" too far. Proper toe-in is between 1/16" and 5/16".

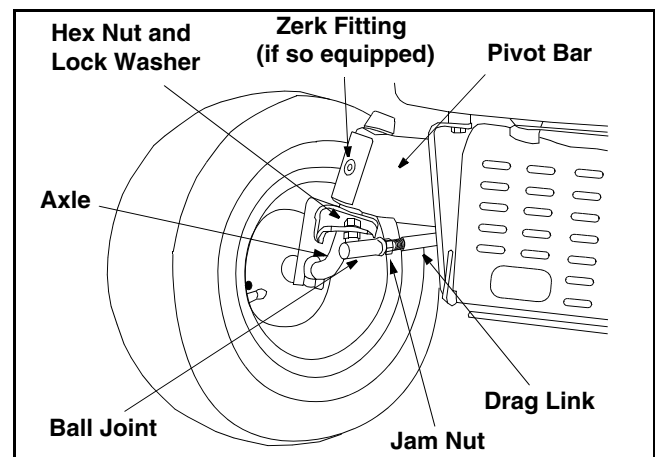


Figure 13

Front tire toe-in can be measured as follows:

- Place the steering wheel in position for straight ahead travel.
- In front of the axle, measure the distance horizontally from the inside of the left rim to the inside of the right rim. Note the distance.
- Behind the axle, measure the distance horizontally from the inside of the left rim to the inside of the right rim. Note the distance.
- The measurement taken in front of the axle should be between 1/16" and 5/16" less than the measurement taken behind the axle.
- Adjust if necessary.

SETTING THE GAUGE WHEELS

Select the height position of the cutting deck by placing the deck lift lever in any of the six different cutting height notches on the right fender.

Adjust the deck wheels so that they are between 1/4-inch and 1/2-inch above the ground as follows.



WARNING: Keep hands and feet away from the discharge opening of the cutting deck.

- Place the tractor on a firm and level surface, preferably pavement. Refer to Figure 14, and proceed as follows:
- Place the tractor's deck lift handle in the normally desired mowing height setting, then check the gauge wheels for contact or excessive clearance with the surface below.
- If the wheels contact the surface adjust as follows:
 - a. Raise the deck lift handle to its highest setting.
 - b. Remove the rear gauge wheels by removing the lock nuts and shoulder screws which secure them to the deck.

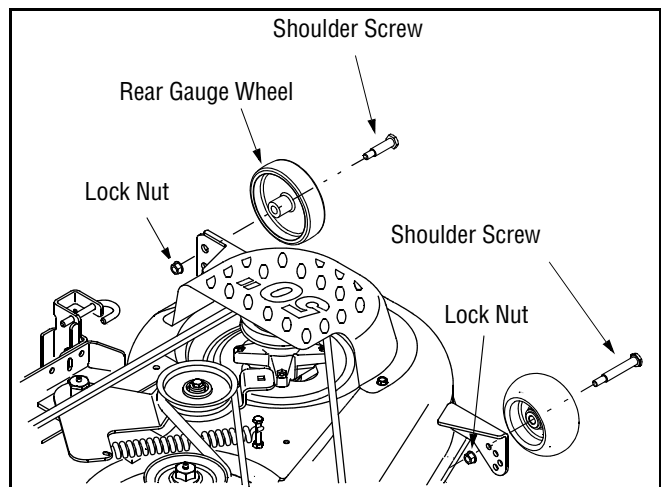


Figure 14

- c. Remove the lock nuts and shoulder screws which secure the front gauge wheels to the deck.
 - d. Place the deck lift handle in the desired mowing height setting.
 - e. Insert the shoulder screw with the rear gauge wheel into the index hole that leaves approximately 1/2" between the bottom of the wheel and the pavement.
 - f. Note the position of the index hole used; then install the other rear gauge wheel and the front ball wheels into the corresponding index hole of the other gauge wheel brackets.
- If the gauge wheels have excessive clearance with the surface below, lower the wheels to the index hole that provides the approximate 1/2" clearance as described above.

Refer to **Leveling the Deck** of this manual for more detailed instructions regarding various deck adjustments.

SECTION 8: MAINTENANCE



WARNING: Before performing any maintenance or repairs, disengage PTO, move shift lever into neutral position, set parking brake, stop engine and remove key to prevent unintended starting.

CLEANING THE ENGINE AND DECK

Any fuel or oil spilled on the machine should be wiped off promptly.

Do NOT allow debris to accumulate around the cooling fins of the engine or on any other part of the machine, especially the belts and pulleys.

IMPORTANT: The use of a pressure washer or garden hose to clean your tractor is NOT recommended. It may cause damage to electrical components, spindles, pulleys, bearings or the engine.

The use of water will result in a shortened life of the tractor and reduce its serviceability.

ENGINE

Refer to the separate engine manual for engine maintenance instructions.

Check **engine oil level** before each use as instructed in the separate engine manual packed with your unit.

Read and follow instructions carefully.

CHANGING ENGINE OIL

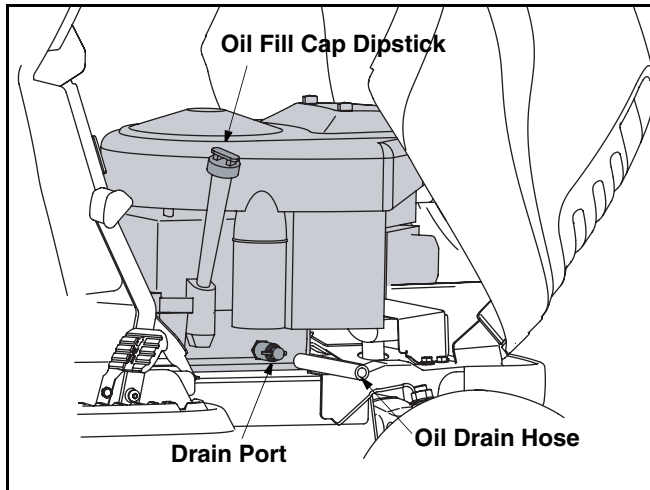


Figure 15

NOTE: Depending on the engine model found on your tractor, it may be necessary to remove the tractor's side panel in order to replace the oil filter (if so equipped).

- Unscrew oil fill cap and remove dipstick from the oil fill tube. See Figure 15.
- Pop open the protective cap on the end of the oil drain valve to expose the oil drain port. See Figure 15.
- Push oil drain hose (packed with unit) onto the oil drain port. Route the opposite end of the hose into an appropriate oil collection container with a capacity great enough to collect the used oil.
- Push the oil drain valve in slightly, then rotate counterclockwise and pull outward to begin draining oil. See Figure 15.
- Service the **oil filter** (if so equipped) as instructed in the separate engine manual packed with your unit.

Perform the above steps in the opposite order after oil has finished draining.

- Refill the engine with new motor oil.

IMPORTANT: Refill the engine with the proper capacity and weight of motor oil as instructed in the separate engine manual.

Service **air cleaner** every 25 hours under normal conditions. Clean every few hours under extremely dusty condition. To service the air cleaner, refer to the separate engine manual packed with your unit.

The **spark plug(s)** should be cleaned and the gap reset once a season. Spark plug replacement is recommended at the start of each mowing season; check engine manual for correct plug type and gap specifications.

DECK WASH SYSTEM™ (Optional)

A hex plug can be found on your tractor's deck surface. This plug can be replaced with a water port to be used as part of a separately-available deck wash system. Use the Deck Wash System to rinse grass clippings from the deck's underside and prevent build-up of corrosive chemicals. Complete the following steps after each mowing:

1. Drive the tractor to a level, clear spot on your lawn, near enough to a water sillcock (spigot) for your garden hose to reach.

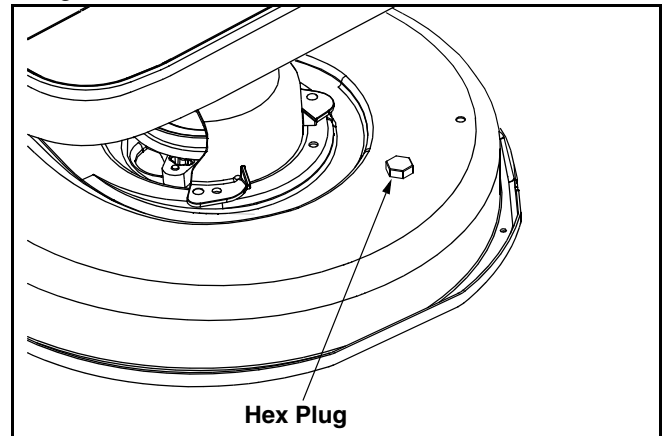


Figure 16

IMPORTANT: Make certain the tractor's discharge chute is directed away from your house, parked cars, etc.

2. Disengage PTO, move shift lever into the neutral position, set the parking brake, and stop engine.
3. Thread the hose coupler (packaged with this manual) onto the end of your garden hose.
4. Attach the hose coupler to the water port on your deck's surface. See Figure 17.

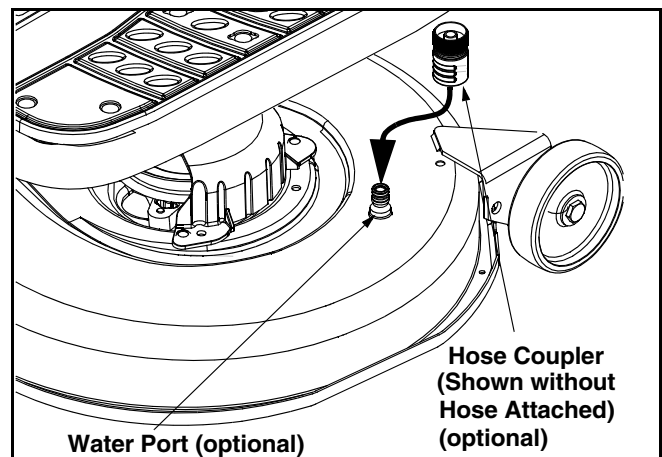


Figure 17

5. Turn the water on.
6. While sitting in the operator's position on the tractor, re-start the engine and place the throttle lever in the FAST (rabbit) position.
7. Engage the tractor's PTO.

8. **Remain in the operator's position** with the cutting deck engaged for a minimum of two minutes, allowing the underside of the cutting deck to thoroughly rinse.
9. Disengage the tractor's PTO.

10. Turn the ignition key to the STOP position to turn the tractor's engine off.
11. Turn the water off and detach the hose coupler from the water port on your decks surface. Repeat step 4-11 on the opposite side of the cutting deck.

SECTION 9: LUBRICATION



WARNING: Before lubricating, repairing, or inspecting, always disengage PTO, move shift lever into neutral position, set parking brake, stop engine and remove key to prevent unintended starting.

Engine

Lubricate the engine with motor oil as instructed in the Engine Owner's Manual packed with your unit.

Pivot Points & Linkage

Lubricate all the pivot points on the drive system, parking brake and lift linkage at least once a season with light oil.

Front Wheels

Each of the front wheel axles is equipped with a grease fitting. Lubricate with a grease gun after every 25 hours of tractor operation. See Figure 18.

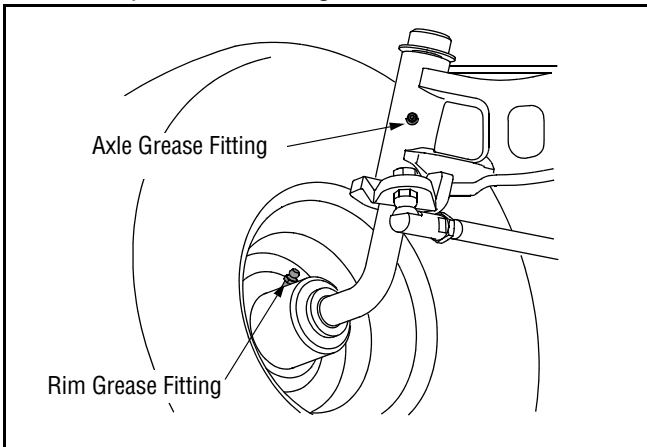


Figure 18

Rear Wheels

The rear wheels should be removed from the axles once a season. Lubricate the axles and the rims well with an all-purpose grease before re-installing them.

Deck Idler

A grease fitting can be found on the pivoting idler bracket on the deck. Lubricate with a No. 2 multi-purpose grease applied with a grease gun after every 25 hours of tractor operation. See Figure 19.

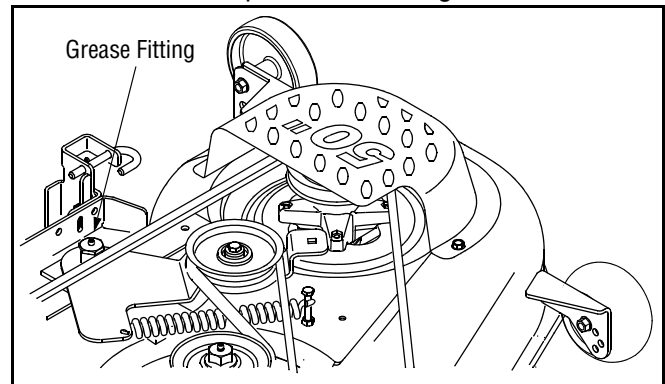


Figure 19

Deck Spindles

Grease fittings can be found on the front of each deck spindle. After every 25 hours of tractor operation, lubricate with 251H EP grease or an equivalent No. 2 multi-purpose lithium grease. Using a grease gun, apply two strokes (minimum) or sufficient grease to each spindle.

SECTION 10: SERVICE

TIRES



WARNING: Never exceed the maximum inflation pressure shown on the sidewall of the tire.

The recommended operating tire pressure is 10 psi for the rear tires and 14 psi for the front tires. Refer to the tire sidewall for exact tire manufacturer's recommended or maximum psi. Do not overinflate. Uneven tire pressure could cause the cutting deck to mow unevenly.

CUTTING BLADES



WARNING: Be sure to shut the engine off, remove ignition key, disconnect the spark plug wire(s) and ground against the engine to prevent unintended starting before removing the cutting blade(s) for sharpening or replacement. Protect your hands by using heavy gloves or a rag to grasp the cutting blade.



WARNING: Periodically inspect the blade adapter and/or spindle for cracks or damage, especially if you strike a foreign object. Replace immediately if damaged.

The blades may be removed as follows.

- Remove the deck from beneath the tractor, (refer to DECK REMOVAL) then gently flip the deck over to expose its underside.
- Place a block of wood between the center deck housing baffle and the cutting blade to act as a stabilizer. See Figure 20.
- Use a 15/16" wrench to remove the hex flange nut that secures the blade to the spindle assembly. See Figure 20.

To properly sharpen the cutting blades, remove equal amounts of metal from both ends of the blades along the cutting edges, parallel to the trailing edge, at a 25° to 30° angle. See Figure 21.

IMPORTANT: If the cutting edge of the blade has already been sharpened to within 5/8" of the wind wing radius, or if any metal separation is present, replace the blades with new ones. See Figure 21.

It is important that each cutting blade edge be ground equally to maintain proper blade balance.

A poorly balanced blade will cause excessive vibration and may cause damage to the tractor and result in personal injury.

The blade can be tested by balancing it on a round shaft screwdriver. Grind metal from the heavy side until it balances evenly.

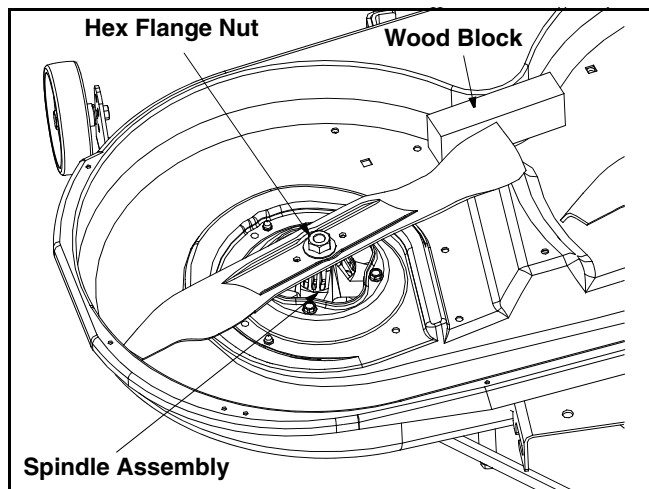


Figure 20

IMPORTANT: When replacing the blade, be sure to install the blade with the side of the blade marked "Bottom" (or with a part number stamped in it) facing the ground when the mower is in the operating position.

IMPORTANT: Use a torque wrench to tighten blade spindle hex flange nut to between 70 ft-lbs and 90 ft-lbs.

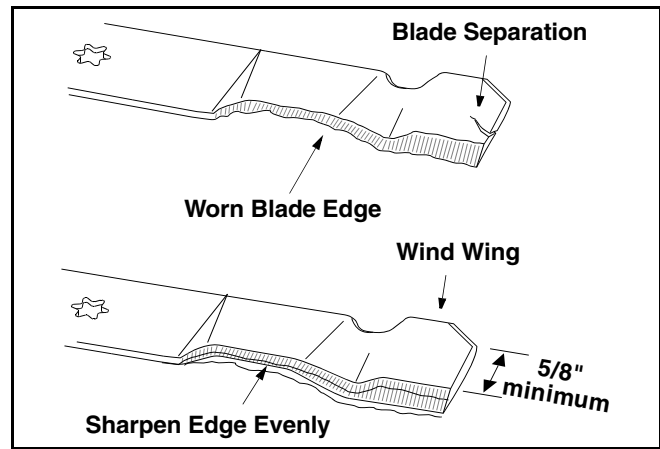


Figure 21

BATTERY

The battery is sealed and is maintenance-free. Acid levels cannot be checked.



WARNING: Shield eyes (e.g. goggles, face shield) and protect skin and clothing when handling battery acid or a battery containing acid.

- Always keep the battery cables and terminals clean and free of corrosive build-up.
- After cleaning the battery and terminals, apply a light coat of petroleum jelly or grease to both terminals.
- Always keep the rubber boot positioned over the positive terminal to prevent shorting.

IMPORTANT: If removing the battery for any reason, disconnect the NEGATIVE (Black) wire from its terminal first, followed by the POSITIVE (Red) wire. When re-installing the battery, always connect the POSITIVE (Red) wire its terminal first, followed by the NEGATIVE (Black) wire. Be certain that the wires are connected to the correct terminals; reversing them could change the polarity and cause damage to your engine's alternating system.

IMPORTANT:

1. Battery wires must be connected to the correct terminals. Reversing them could change the polarity and damage engine's alternating system.
2. Do not jump-start a damaged battery.
3. When storing the battery, disconnect the negative terminal and store with full charge.

CHARGING

If the unit has not been put into use for an extended period of time, charge the battery with an automotive-type 12-volt charger for a minimum of one hour at six amps.



WARNING: Batteries give off an explosive gas while charging. Charge battery in a well ventilated area and keep away from an open flame or pilot light as on a water heater, space heater, furnace, clothes dryer or other gas appliances.

JUMP STARTING



WARNING: When removing or installing the battery, follow these instructions to prevent the screwdriver from shorting against the frame.

IMPORTANT: Never jump your tractor's dead battery with the battery of a running vehicle.

- Connect end of one jumper cable to the positive terminal of the good battery, then the other end to the positive terminal of the dead battery.
- Connect the other jumper cable to the negative terminal of the good battery, then to the frame of the unit with the dead battery.



WARNING: Failure to use this procedure could cause sparking, and the gas in either battery could explode.



WARNING: Do not use the tractor battery to start other vehicles.

Cleaning the battery

Keep the terminals and the top of the battery clean and free from corrosion. Clean the battery with baking soda and water or a commercial battery cleaner. If necessary, scrape the battery terminals with a wire brush to remove deposits. Coat terminals and exposed wiring with grease or petroleum jelly to prevent corrosion.

CAUTION: Do not allow any cleaning solution to get inside the battery.

BATTERY FAILURES

Some common causes for battery failure are:

- incorrect initial activation
- undercharging
- overcharging
- corroded connections
- freezing

These failures are NOT covered by your tractor's warranty.

FUSE

A 20 amp fuse is installed in your tractor's wiring harness to protect the tractor's electrical system from damage caused by excessive amperage.

If the electrical system does not function, or your tractor's engine will not crank, first check to be certain that the fuse has not blown.

It can be found under the hood mounted between the dash panel and fuel tank on the right-hand support bar.

IMPORTANT: Always use a 20 amp fuse for replacement.

CUTTING DECK REMOVAL

To properly remove the cutting deck, proceed as follows:

- Place the PTO/Blade Engage knob (or lever) in the disengaged (Blade Stop) position and engage the parking brake.
- Lower the deck by moving the deck lift lever into the bottom notch on the right fender.
- Remove the PTO belt from around the electric PTO clutch and from around the PTO idler pulley(s).
- Looking at the cutting deck from the left side of the tractor, locate the deck support pin on the rear left side of the deck.

IMPORTANT: Rotate the pin slightly toward the rear of the tractor and release the pin into the hole provided.

- Pull the deck support pin outward to release the deck from the deck lift arm. See Figure 22.
- Repeat the above steps on the right side of the tractor.

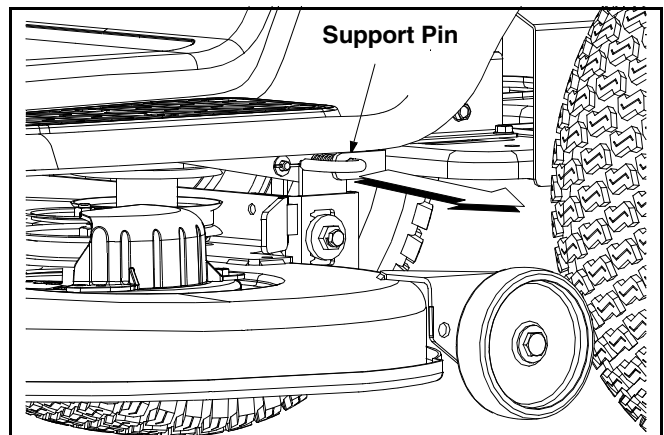


Figure 22

- Move the deck lift lever into the top notch on the right fender to raise the lift arms out of the way.
- Gently slide the cutting deck toward the front of the tractor allowing the hooks on the deck to release themselves from the deck stabilizer rod.
- Gently slide the cutting deck (from the right side) out from underneath the tractor.

CHANGING THE DECK BELT

IMPORTANT: The V-belts found on your tractor are specially designed to engage and disengage safely. A substitute (non-OEM) V-belt can be dangerous by not disengaging completely. For a proper working machine, use factory approved belts.



Be sure to shut the engine off, remove ignition key, disconnect the spark plug wire(s) and ground against the engine to prevent unintended starting before removing the belt(s). All belts on your tractor are subject to wear and should be replaced if any signs of wear are present.



WARNING: Avoid the possibility of a pinching injury. Do not place your fingers on the idler spring or between the belt and the pulley while removing the belt.

To change or replace the deck belts on your tractor, proceed as follows:

- Lower the deck by moving the deck lift lever into the bottom notch on the right fender.
- Remove the belt guards by removing the self-tapping screws that fasten them to the deck.
- To ease in removing the belt in later steps, loosen, but do not remove, the bolt which secures the pivoting idler pulley to the idler bracket.
- Insert a 3/8"-drive ratchet wrench (set to *loosen*) into the square hole found in the idler bracket on the left side of the deck's surface. See Figure 23.
- Grasp the ratchet's handle and pivot it toward the front of the tractor to relieve tension on the belt.
- With belt tension relieved, **carefully remove the belt from around the left-hand spindle pulley.**

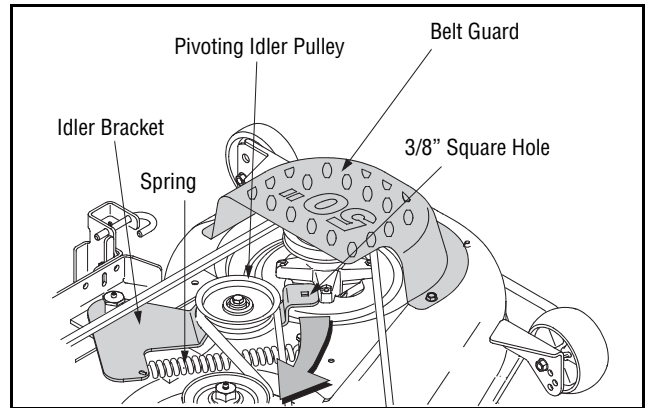


Figure 23

IMPORTANT: Carefully allow the ratchet to pivot rearward before removing it from the square hole.

- Remove the deck belt from around all pulleys, including the deck idler pulley.
- Route the new belts (deck belt first). See Figure 24.
- Remount the belt guards removed earlier.

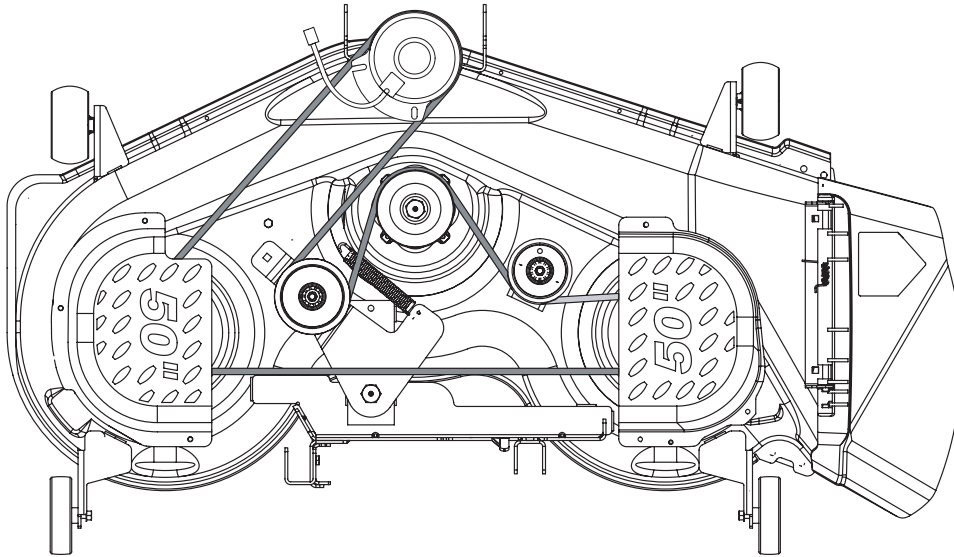


Figure 24

SECTION 11: OFF-SEASON STORAGE



WARNING: Never store the machine or fuel container indoors where there is an open flame, spark or pilot light such as on water heater, furnace, clothes dryer or other gas appliance.



WARNING: Use a fuel stabilizer additive or drain the fuel into an approved container outdoors, away from an open flame. Allow engine to cool. Extinguish cigarettes, cigars, pipes and other sources of ignition prior to draining fuel.

If the machine is to be inoperative for a period longer than 30 days, prepare for storage as follows.

- Clean the engine and the entire unit thoroughly.
- Lubricate all lubrication points. Wipe the entire machine with an oiled rag to protect the painted metal surfaces.

- Refer to the engine manual for correct engine storage instructions. The engine must be completely drained of fuel to prevent gum deposits from forming on essential carburetor parts, fuel lines and fuel tanks. It is not necessary to remove the battery from the tractor for storage. However, clean the top of the battery and make sure it has full charge. Disconnect the negative terminal of the battery before storing the tractor.
- Store unit in a clean, dry area.

NOTE: When storing any type of power equipment in an unventilated or metal storage shed, care should be taken to rustproof the equipment. Using a light oil or silicone, coat the equipment, especially any chains, springs, bearings and cables.

NOTE: Recharge the battery before returning it to service after storage. Even if the tractor starts, the engine charging system may not bring the battery up to a full charge, unless it is recharged.

SECTION 12: MAINTENANCE CHART

	Before Each Use	After Initial 24 Hours	Every 10 Hours	Every 25 Hours	Every 50 Hours	Every Season	Prior to Storing
Clean Hood/Dash Louvers			✓				✓
Check Engine Oil Level	✓						
Clean and Re-oil Air Filter's Foam Precleaner				✓			
Replace Air Filter Element						✓	
Change Engine Oil & Filter		✓			✓	✓	
Clean Battery Terminals			✓				✓
Lube Front Axles and Rims				✓			✓
Clean Engine Cooling Fins				✓			✓
Lube Pedal Pivot Points			✓				✓
Lube Deck Spindles				✓			
Check Spark Plugs						✓	✓
Check Safety Interlock System	✓						

* Toro reserves the right to change product specifications, design, and standard equipment without notice and without incurring obligation

** Kohler's horsepower ratings exceed Society of Automotive Engineers Small Engine Test Code J1940. Actual engine horsepower is lower and affected by, but not limited to, accessories (air cleaner, exhaust, charging, cooling, fuel pump, etc.), application, engine speed and ambient operating conditions (temperature, humidity, and altitude).

SECTION 13: TROUBLESHOOTING

Trouble	Possible Cause(s)	Corrective Action
Engine fails to start	PTO lever (button) engaged. Parking brake not engaged. Spark plug wire(s) disconnected. Throttle control not in correct position Choke not activated. Fuel tank empty, or stale fuel. Blocked fuel line. Faulty spark plug. Engine flooded.	Place PTO lever (button) in disengaged (Blade Stop) position. Engage parking brake. Connect wire(s) to spark plug. Place throttle lever to fast or choke (if so equipped). Activate choke. Fill tank with clean, fresh (less than 30 days old) gas. Clean fuel line or replace fuel filter, if so equipped. Clean, adjust gap or replace plug. Crank engine with throttle in FAST position.
Engine runs erratic	Unit running with CHOKE applied. Spark plug wire loose. Blocked fuel line or stale fuel. Vent in gas cap plugged. Water or dirt in fuel system. Dirty air cleaner.	Place throttle lever in FAST position. Connect and tighten spark plug wire. Clean fuel line; fill tank with clean, fresh (less than 30 days old) gasoline. Replace fuel filter, if so equipped. Clear vent or replace cap if damaged. Drain fuel tank. Refill with clean, fresh (less than 30 days old) gasoline. Replace air cleaner cartridge/element or clean pre-cleaner, if so equipped.
Engine overheats	Engine oil level low. Air flow restricted.	Fill crankcase with proper capacity and weight of oil. Clean grass clippings and debris from around the engine's cooling fins and blower housing.
Engine hesitates at high RPM	Spark plug gap too close.	Remove spark plug and reset the gap to .030".
Idles poorly	Spark plug fouled, faulty or gap too wide. Dirty air cleaner.	Replace spark plug. Set plug gap to .030". Replace air cleaner cartridge/element or clean pre-cleaner, if so equipped.
Excessive vibration	Cutting blade loose or unbalanced or damaged.	Tighten blade and spindle. Balance blade. Replace blade.
Mower will not mulch grass	Engine speed low. Wet grass. Excessively high grass. Dull blade.	Place throttle in FAST position. Do not mow when grass is wet; wait until later to cut. Mow once at a higher cutting height, then mow again at desired height or make a narrower cutting swath. Sharpen or replace blade.
Uneven cut	Deck not balanced properly. Dull blade. Uneven tire pressure.	Perform side-to-side deck adjustment. Sharpen or replace blade. Check tire pressure in all four tires.

SECTION 14: SPECIFICATIONS*

GT2100

Capacities

Fuel Tank	3.0 gal. (11.4 liters)
Engine Crankcase (w/ filter)	57.5 oz. (1.7 liters)

Constant Velocity Transmission

Forward Speed	0 - 5.2 mph (8.2 km/h)
Reverse Speed	0 - 2.3 mph (3.7 km/h)

Engine (Air-cooled, 4-cycle)

Make	<i>Kohler Courage</i>
Model	SV720
Cylinders	Twin
Bore	83 mm (3.27 in.)
Stroke	67 mm (2.64 in.)
Displacement	725 cc (44.2 cubic in.)
Power @3600 RPM	17.2 kW (23 HP)**
Maximum Torque	60.9 Nm (44.9 ft. lb.) @ 2000 RPM
Compression Ratio	9:0:1
Engine Speed (governed)	3375 RPM
Low Speed	1200 RPM (± 75 RPM)
Spark Plug Gap	.76 mm (.030 in.)

Electrical System

System Voltage	12-volt Negative Ground
Battery	235 CCA (sealed)
Alternator	15 Amp Regulated
Fuse (automotive type)	20 Amp
Headlights	Incandescent

Brakes

Single Disc (Dry)

Turf Tires

Front (inches)	16 x 7.5 x 8
Rear (inches)	23 x 10.5 x 12

Dimensions

Cutting Width, Deck	50 in. (127.0 cm)
Wheelbase	46 in. (116.8 cm)
Length, over all	68 in. (172.7 cm)
Width, over all	54 in. (137.2 cm)
Height, over all	43 in. (109.2 cm)
Ground Clearance	4.5 in. (11.4 cm)
Turning Radius	21 in. (53 cm)
Weight (approximate)	745 lb. (338 kg.)

* *Toro* reserves the right to change product specifications, design, and standard equipment without notice and without incurring obligation

** *Kohler's* horsepower ratings exceed Society of Automotive Engineers Small Engine Test Code J1940. Actual engine horsepower is lower and affected by, but not limited to, accessories (air cleaner, exhaust, charging, cooling, fuel pump, etc.), application, engine speed and ambient operating conditions (temperature, humidity, and altitude).



The Toro Company

MANUFACTURER'S LIMITED WARRANTY FOR LAWN & GARDEN TRACTORS

IMPORTANT: To obtain warranty coverage owner must present an original proof of purchase and applicable maintenance records to the servicing dealer. Please see the operator's manual for information on required maintenance and service intervals.

The limited warranty set forth below is given by **The Toro Company ("Toro")** with respect to new merchandise purchased or leased and used in the United States and/or its territories and possessions, and by Toro with respect to new merchandise purchased or leased and used in Canada and/or its territories and possessions.

Toro warrants this product (excluding its *Normal Wear Parts, Batteries, and Frame and Front Axle* as described below) against defects in material and workmanship for a period of two (2) years or eighty (80) operation hours, whichever comes first, commencing on the date of original retail purchase or lease and will, at its option, repair or replace, free of charge, any part found to be defective in materials or workmanship.

Normal Wear Parts are warranted to be free from defects in material and workmanship for a period of thirty (30) days from the date of original purchase or lease. Normal wear parts include, but are not limited to items such as: belts, blades, blade adapters, grass bags, rider deck wheels, seats, and tires.

Batteries have a one-year prorated limited warranty against defects in material and workmanship, with 100% replacement during the first three months. After three months, the battery replacement credit is based on the months remaining in the twelve (12) month period dating back to the original date of original sale or lease. Any replacement battery will be warranted only for the remainder of the original warranty period.

This limited warranty shall only apply if this product has been operated and maintained in accordance with the Operator's Manual furnished with the product, and has not been subject to misuse, abuse, commercial use, neglect, accident, improper maintenance, alteration, vandalism, theft, fire, water, or damage because of other peril or natural disaster. Damage resulting from the installation or use of any part, accessory or attachment not approved by Toro for use with the product(s) covered by this manual will void your warranty as to any resulting damage. In addition, Toro may deny warranty coverage if the hour meter, or any part thereof, is altered, modified, disconnected or otherwise tampered with.

HOW TO OBTAIN SERVICE: Warranty service is available, WITH PROOF OF PURCHASE AND APPLICABLE MAINTENANCE RECORDS, through your local authorized service dealer. To locate the dealer in your area:

In the U.S.A. or Canada:

Check your Yellow Pages, or contact The Customer Care Department, Toro Warranty Company at 8111 Lyndale Avenue South, Bloomington, MN 55420, call 1-888-384-9942 (In Canada 1-888-848-4073), or log on to our website at www.toro.com.

Without limiting the foregoing, this limited warranty does not provide coverage in the following cases:

- a. The engine or component parts thereof. These items may carry a separate manufacturer's warranty. Refer to applicable manufacturer's warranty for terms and conditions.
- b. Routine maintenance items such as lubricants, filters, blade sharpening, tune-ups, brake adjustments, clutch adjustments, deck adjustments, and normal deterioration of the exterior finish due to use or exposure.
- c. Service completed by someone other than an authorized service dealer.
- d. Toro does not extend any warranty for products sold or exported outside of the United States and/or Canada, and their respective possessions and territories, except those sold through Toro's authorized channels of export distribution.
- e. Replacement parts and/or accessories that are not genuine Toro parts.
- f. Transportation charges and service calls.
- g. Toro does not warrant this product for commercial use.

There are no implied warranties, including without limitation any implied warranty of merchantability or fitness for a particular purpose. No warranties shall apply after the applicable period of express written warranty above. No other express warranties beyond those mentioned above, given by any person or entity, including a dealer or retailer, with respect to any product, shall bind Toro. The exclusive remedy is repair or replacement of the product as set forth above. The terms of this warranty provide the sole and exclusive remedy arising from the sale and/or lease of the products covered hereby. Toro shall not be liable for any incidental or consequential loss or damage including, without limitation, expenses incurred for substitute or replacement lawn care services or for rental expenses to temporarily replace a warranted product.

Some jurisdictions do not allow the exclusion or limitation of incidental or consequential damages, or limitations on how long an implied warranty lasts, so the above exclusions or limitations may not apply to you.

In no event shall recovery of any kind be greater than the amount of the purchase price of the product sold. **Alteration of safety features of the product shall void this warranty.** You assume the risk and liability for loss, damage, or injury to you and your property and/or to others and their property arising out of the misuse or inability to use the product.

This limited warranty shall not extend to anyone other than the original purchaser or to the person for whom it was purchased as a gift.

HOW LOCAL LAWS RELATE TO THIS WARRANTY: This limited warranty gives you specific legal rights, and you may also have other rights that vary in different jurisdictions.

**Customer Care Department of the Toro Warranty Company, 8111 Lyndale Ave. South,
Bloomington, MN 55420-1196 or call (US) 1-888-384-9942, (Canada) 1-888-848-4073; www.toro.com**

notes . . .

notes . . .



The Toro Company GARANTIE LIMITEE DU FABRICANT POUR LES TRACTEURS DE PELOUSE ET JARDIN

IMPORTANT : Pour faire honorer la garantie, le propriétaire du tracteur doit

présenter une preuve d'achat originale et les dossiers d'entretien correspondants à

la station technique agréée.

Veuillez consulter la notice d'utilisation pour tous les renseignements concernant

l'entretien nécessaire et les intervalles recommandés.

La garantie limitée qui est énoncée ci-dessous est offerte par **The Toro Company**

(« **Toro** ») pour les marchandises neuves achetées ou louées et utilisées aux

États-Unis et/ou ses territoires et possessions, et par Toro pour les marchandises

neuves achetées ou louées et utilisées au Canada et/ou ses territoires et posses-

sions.

Toro garantit que ce produit (à l'exception des *Pièces ou composants à usure*

normale, batteries et châssis et essieu avant tels qu'ils sont décrits ci-dessous)

est exempt de tout vice de matière et de fabrication pour une durée de deux (2)

ans ou quatre-vingts (80) heures de fonctionnement, selon ce qui survient d'abord,

à compter de la date de l'achat initial ou du contrat de location, et

s'engage à réparer ou à remplacer, gratuitement et à son choix, toute pièce qui

s'avère défectueuse en raison d'un vice de matière ou de fabrication.

Les pièces ou composants à usure normale sont garantis exempts de tout vice de

matière et de fabrication pour une période de trente (30) jours à compter de la

date de l'achat initial ou du contrat de location. Les pièces et composants à usure

normale comprennent, sans s'y limiter, les courroies, lames, adaptateurs de lame,

sacs à herbe, roues du plateau de coupe, sièges et pneus.

Les batteries sont couvertes par une garantie limitée proportionnelle d'un an contre

tout vice de matière et de fabrication offrant un remplacement complet pendant les

trois premiers mois. Par la suite, le crédit de remplacement de la batterie est

proportionnel au nombre de mois qui restent des douze (12) mois, à compter de la

date de l'achat initial ou du contrat de location. Toute batterie de remplacement

sera garantie pour le reste de la garantie initiale seulement.

Cette garantie limitée n'est applicable que si ce produit a été utilisé et entretenu

conformément aux instructions de la notice d'utilisation qui l'accompagne. De plus,

le produit ne doit pas avoir fait l'objet d'un emploi incorrect ou abusif, d'une utilisat-

ion à des fins commerciales, d'une négligence, d'un accident, d'un entretien

incorrect, d'une modification, d'un acte de vandalisme, d'un vol, d'un incendie,

d'une inondation ou de tout autre dégat causé par tout incident ou désastre natu-

rel. Les dégâts causés par l'installation ou l'utilisation d'une pièce, d'un accessoire

ou d'un équipement annexé, dont l'emploi avec le produit faisant l'objet de la no-

te d'utilisation n'est pas homologué par Toro, rendront la garantie nulle et non

avenue. Toro peut aussi refuser d'honorer la garantie si le compteur d'heures, ou

une pièce quelconque de celui-ci, a été modifié, changé, débranché ou trafiqué.

POUR FAIRE HONORER LA GARANTIE : Présentez UNE PREUVE D'ACHAT ET LES

DOSSIERS D'ENTRETIEN CORRESPONDANTS à la station technique agréée. Pour

localiser une station technique agréée dans votre région :

Consultez les Pages Jaunes ou adressez-vous au Customer Care Department, Toro

Warranty Company au 8111 Lyndale Avenue South, Bloomington, MN 55420 ou

appelez le 1-888-384-9942 (au Canada le 1-888-848-4743) ou visitez le site web

www.toro.com.

Aux États-Unis ou au Canada :

LES LOIS LOCALES ET CETTE GARANTIE : Cette garantie limitée vous accorde des droits juridiques spécifiques et vous pouvez bénéficier d'autres droits qui varient selon les juridictions.

Cette garantie limitée n'est offerte qu'à l'acheteur initial ou à la personne à laquelle le produit a été offert en cadeau.

ou de l'incapacité de l'employer.

L'utilisateur assume tout risque et toute responsabilité en cas de perte, de dommage matériel ou de blessure résultant de l'utilisation incorrecte du produit.

Le remboursement ou remplacement quel qu'il soit ne sera en aucun cas supérieur au montant du prix d'achat du produit vendu. **Toute modification des caractéristiques de sécurité rendra la garantie nulle et non avenue.**

Certains juridictions ne permettent pas l'inclusion ou restriction des dommages accessoires ou matériels ou une limite à la durée de la garantie tacite. Par conséquent, les exclusions ci-dessus peuvent ne pas s'appliquer dans votre situation.

Certains juridictions ne permettent pas l'inclusion ou restriction des dommages accessoires ou matériels ou une limite à la durée de la garantie tacite. Par conséquent, les exclusions ci-dessus peuvent ne pas s'appliquer dans votre situation.

Le remboursement ou remplacement quel qu'il soit ne sera en aucun cas supérieur au montant du prix d'achat du produit vendu. **Toute modification des caractéristiques de sécurité rendra la garantie nulle et non avenue.**

L'utilisateur assume tout risque et toute responsabilité en cas de perte, de dommage matériel ou de blessure résultant de l'utilisation incorrecte du produit.

ou de l'incapacité de l'employer.

L'utilisateur assume tout risque et toute responsabilité en cas de perte, de dommage matériel ou de blessure résultant de l'utilisation incorrecte du produit.

Certains juridictions ne permettent pas l'inclusion ou restriction des dommages accessoires ou matériels ou une limite à la durée de la garantie tacite. Par conséquent, les exclusions ci-dessus peuvent ne pas s'appliquer dans votre situation.

Certains juridictions ne permettent pas l'inclusion ou restriction des dommages accessoires ou matériels ou une limite à la durée de la garantie tacite. Par conséquent, les exclusions ci-dessus peuvent ne pas s'appliquer dans votre situation.

Certains juridictions ne permettent pas l'inclusion ou restriction des dommages accessoires ou matériels ou une limite à la durée de la garantie tacite. Par conséquent, les exclusions ci-dessus peuvent ne pas s'appliquer dans votre situation.

Certains juridictions ne permettent pas l'inclusion ou restriction des dommages accessoires ou matériels ou une limite à la durée de la garantie tacite. Par conséquent, les exclusions ci-dessus peuvent ne pas s'appliquer dans votre situation.

Certains juridictions ne permettent pas l'inclusion ou restriction des dommages accessoires ou matériels ou une limite à la durée de la garantie tacite. Par conséquent, les exclusions ci-dessus peuvent ne pas s'appliquer dans votre situation.

Certains juridictions ne permettent pas l'inclusion ou restriction des dommages accessoires ou matériels ou une limite à la durée de la garantie tacite. Par conséquent, les exclusions ci-dessus peuvent ne pas s'appliquer dans votre situation.

Certains juridictions ne permettent pas l'inclusion ou restriction des dommages accessoires ou matériels ou une limite à la durée de la garantie tacite. Par conséquent, les exclusions ci-dessus peuvent ne pas s'appliquer dans votre situation.

Certains juridictions ne permettent pas l'inclusion ou restriction des dommages accessoires ou matériels ou une limite à la durée de la garantie tacite. Par conséquent, les exclusions ci-dessus peuvent ne pas s'appliquer dans votre situation.

Certains juridictions ne permettent pas l'inclusion ou restriction des dommages accessoires ou matériels ou une limite à la durée de la garantie tacite. Par conséquent, les exclusions ci-dessus peuvent ne pas s'appliquer dans votre situation.

Certains juridictions ne permettent pas l'inclusion ou restriction des dommages accessoires ou matériels ou une limite à la durée de la garantie tacite. Par conséquent, les exclusions ci-dessus peuvent ne pas s'appliquer dans votre situation.

Certains juridictions ne permettent pas l'inclusion ou restriction des dommages accessoires ou matériels ou une limite à la durée de la garantie tacite. Par conséquent, les exclusions ci-dessus peuvent ne pas s'appliquer dans votre situation.

Certains juridictions ne permettent pas l'inclusion ou restriction des dommages accessoires ou matériels ou une limite à la durée de la garantie tacite. Par conséquent, les exclusions ci-dessus peuvent ne pas s'appliquer dans votre situation.

Certains juridictions ne permettent pas l'inclusion ou restriction des dommages accessoires ou matériels ou une limite à la durée de la garantie tacite. Par conséquent, les exclusions ci-dessus peuvent ne pas s'appliquer dans votre situation.

Certains juridictions ne permettent pas l'inclusion ou restriction des dommages accessoires ou matériels ou une limite à la durée de la garantie tacite. Par conséquent, les exclusions ci-dessus peuvent ne pas s'appliquer dans votre situation.

CHAPITRE 14: CARACTÉRISTIQUES TECHNIQUES*

GT12100

Capacités

Réservoir d'essence	3,0 gallons (11,4 L)
Carter du moteur (avec filtre)	57,5 oz. (1,7 L)

Transmission à vitesse constante

Marche avant	0 à 5,2 milles/h (8,2 km/h)
Marche arrière	0 à 2,3 milles/h (3,7 km/h)

Moteur (à 4 temps, à refroidissement par air)

Marque	<i>Kohler Courage</i>
Modèle	SV720
Cylindres	deux
Alésage	3,27 po (83 mm)
Course	2,64 po (67 mm)
Cylindrée	44,2 po3 (725 cm3)
Puissance à 3600 tr/min.	23 HP (17,2 kW)**
Couple maximum	44,9 pi-lb (60,9 Nm)
	@ 2000 tr/min.
Rapport de compression	9,0 à 1
Régime du moteur (réglé)	3375 tr/min.
Bas régime	1200 tr/min. (± 75 tr/min.)
Ecartement de la bougie	0,030 po (0,76 mm)

Système électrique

Tension	12 volts, mise à la terre négative
Batterie	235 A démarrage à froid
Alternateur	15 A (réglé) (hermétique)
Fusible (de type automobile)	20 A
Phare	À incandescence
Freins	Un disque (sec)

Pneus gazon

Avant (en pouces)	16 x 7,5 x 8
Arrière (en pouces)	23 x 10,5 x 12

Dimensions

Largueur du plateau de coupe	50 po (127 cm)
Empattement	46 po (116,8 cm)
Longueur totale	68 po (172,7 cm)
Largueur totale	54 po (114,3 cm)
Hauteur totale	43 po (137,2 cm)
Dégagement au sol	4,5 po (11,4 cm)
Rayon de braquage	21 po (53 cm)
Poids (approximatif)	745 lb. (338 kg)

* Toro se réserve le droit de modifier, sans préavis et sans obligation, les caractéristiques techniques, le dessin et l'équipement de série. ** Les puissances des moteurs *Kohler* surpassent les normes établies pour les petits moteurs par la Society of Automotive Engineers, Small Engine Test Code J1940. La puissance réelle du moteur est inférieure et est influencée par les accessoires (filtre à air, échappement, chargement, refroidissement, pompe à essence, etc.); par l'utilisation particulière, le régime du moteur et les conditions de travail ambiantes (température, humidité et altitude) et peut être influencée par d'autres facteurs.

PROBLÈME	CAUSE(S) POSSIBLE (S)	MESURE CORRECTIVE
Le moteur ne tourne pas	Manette (ou bouton) de la prise de force est enclenchée. Frein de stationnement déclenché. Ffil de la bougie desserré. Manette de commande de l'obturateur n'est pas en position de démarrage. Réservoir de carburant est vide ou essence éventée. Canalisation de carburant bouchée. Bougie défectueuse. Le moteur est noyé.	Placez la manette (ou bouton) de la prise de force à la position (OFF) déclenchée. Enclenchez le frein de stationnement. Branchez le fil de la bougie. Placez la manette de commande de l'obturateur à la position VOLET DE DÉPART. Faites le plein avec une essence propre et fraîche. Le carburant devient éventé après trente jours. Nettoyez la canalisation ou remplacez le filtre de carburant (si équipé) Nettoyez, réglez l'écartement ou remplacez la bougie. Démarrar le moteur avec la manette de commande de l'obturateur à la position FAST (rapide).
Fonctionnement irrégulier	Machine fonctionnant avec volet de départ fermé. Ffil de la bougie desserré. Canalisation de carburant bouchée ou essence éventée. L'évent du capuchon du réservoir est bouché. Eau ou saleté dans le système d'essence. Filtre à air est sale.	Placez la manette de commande de l'obturateur à la position FAST (rapide). Branchez et serrez le fil de la bougie. Nettoyez la canalisation ; faites le plein avec une essence propre. Remplacez le filtre de carburant (si équipé) Débranchez l'évent ou remplacez le capuchon. Débranchez la canalisation d'essence au carburateur pour vider le réservoir d'essence. Faites le plein avec une essence fraîche. Remplacez le filtre à air ou le pré-nettoyeur (si équipé).
Moteur surchauffe	Niveau d'huile est trop bas. La circulation d'air est gênée.	Faites le plein d'huile du carter. Essuyez les brins d'herbe et débris autour des ailerons refroidissant du moteur et de l'habitacle du ventilateur.
Moteur hésite à vitesse élevée	Ecartement de la bougie trop petit.	Retirez la bougie et réglez l'écartement à 0,030 po.
Le moteur tourne irrégulièrement	La bougie est sale, défectueuse ou l'écartement est trop grand. Filtre à air est sale.	Remplacez la bougie. Réglez l'écartement à 0,030 po. Remplacez le filtre à air ou le pré-nettoyeur (si équipé).
Vibrations excessives	La lame de coupe est desserrée, mal réglé ou déformée.	Serrez la lame et l'adaptateur. Équilibrerez la lame. Remplacez la lame.
La tondeuse ne déchiquette pas l'herbe	Vitesse du moteur trop bas. L'herbe est mouillée. L'herbe est trop haute. La lame est émoussée.	Placez l'obturateur à la position FAST (rapide). Ne tondez pas quand l'herbe est mouillée. Attendez qu'elle sèche. Coupez l'herbe à un réglage élevé, puis tondez à nouveau à la hauteur voulue ou sur une largeur plus étroite. Aiguiser ou remplacez la lame.
La coupe est irrégulière	Plateau de coupe non équilibré correctement. La lame est émoussée. Pression inégale de pneu.	Faites le réglage latéral du plateau de coupe. Aiguiser ou remplacez la lame. Vérifiez la pression de pneu dans chacun des quatre pneus.

CHAPITRE 12: TABLEAU D'ENTRETIEN

Avant utilisation	Après les 24 premières heures	Toutes les 10 heures	Toutes les 25 heures	Toutes les 50 heures	Chaque saison	Avant le remisage
	✓	✓				✓
Nettoyez les persiennes du capot et du tableau de bord						
Vérifiez le niveau de l'huile à moteur.			✓			
Vérifiez et huilez à nouveau la pré-cartouche en mousse du filtre à air.						
Remplacez l'élément du filtre à air.					✓	
Changez l'huile à moteur et le filtre	✓			✓	✓	
Nettoyez les bornes de la batterie		✓				✓
Lubrifiez les essieux et les jantes des roues avant			✓			✓
Nettoyez les ailettes de refroidissement du moteur			✓			✓
Lubrifiez les points de pivotement des pédales						✓
Lubrifiez les fusées de plateau de coupe			✓			
Vérifiez la bougie					✓	✓
Vérifiez le système de verrouillage de sécurité.	✓					

* Toro se réserve le droit de modifier, sans préavis et sans obligation, les caractéristiques techniques, le dessin et l'équipement de série.

** Les puissances des moteurs Kohler surpassent les normes établies pour les petits moteurs par la Society of Automotive Engineers, Small Engine Test Code J1940. La puissance réelle du moteur est inférieure et est influencée par les accessoires (filtre à air, échappement, chargement, refroidissement, pompe à essence, etc.), par l'utilisation particulière, le régime du moteur et les conditions de travail ambiantes (température, humidité et altitude) et peut être influencée par d'autres facteurs.

CHAPITRE 11: REMISAGE HORS SAISON

Si vous ne devez pas utiliser la machine pendant une période supérieure à 30 jours, procédez de la façon suivante:



AVERTISSEMENT: Ne remisez jamais la machine ou un contenant de carburant à l'intérieur en présence d'une flamme nue, d'étincelles ou d'une veilleuse comme celle d'un chauffe-d'eau, d'un calorifère, d'un sèche-linge ou d'un autre appareil à gaz.



AVERTISSEMENT: Utilisez un additif de stabilisation du carburant ou videz le carburant dans un contenant homologué, à l'extérieur et loin d'une flamme nue. Attendez que le moteur ait refroidi. Éteignez toute cigarette, cigars, pipes et autre source de chaleur incandescente avant de vider le carburant.

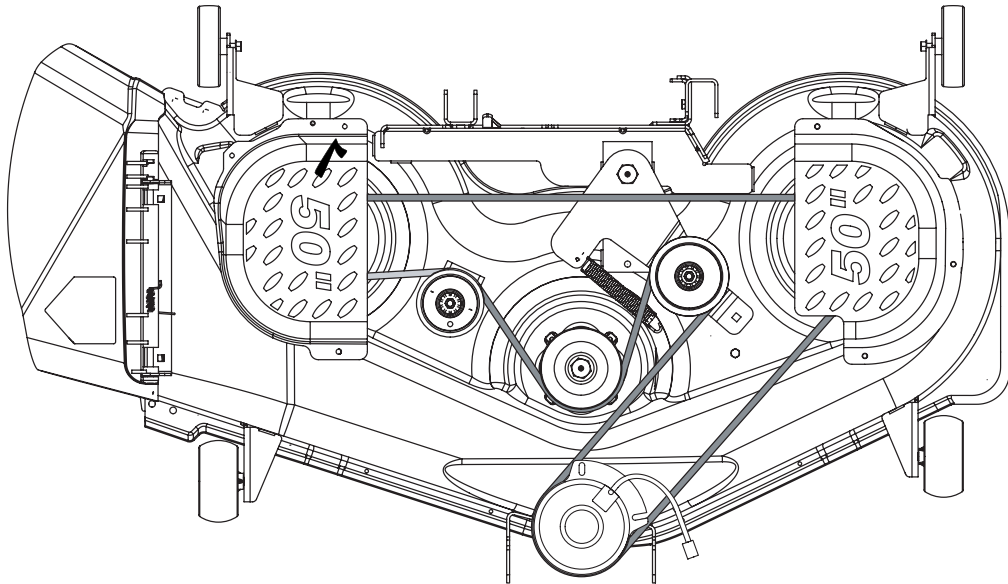
- Nettoyez le moteur et le tracteur à fond.
- Graissez tous les points de pivotement et essayez toute la machine avec un chiffon imbibé d'huile pour protéger les surfaces.
- Consultez la notice d'utilisation du moteur quant aux instructions de remisage de celui-ci. Videz complètement le carburant pour éviter les dépôts de gomme sur les pièces du carburateur, dans les canalisations et dans le réservoir. Il n'est pas nécessaire d'enlever la batterie du tracteur pour la remiser. Cependant, nettoyez le dessus de la batterie et assurez-vous qu'elle est complètement chargée. Débranchez la borne négative de la batterie avant de remiser le tracteur.

REMARQUE: Rechargez la batterie avant de la renvoyer au service après la remisage. Même si le tracteur démarre, le système de chargement de pleine charge, à moins qu'il soit rechargé.

REMARQUE: Assurez-vous de protéger le tracteur contre la rouille s'il doit être entreposé dans un abri métallique non aéré. Recouvrez le tracteur, les chaînes, ressorts, roulements et câbles d'une fine couche d'huile ou de silicone.

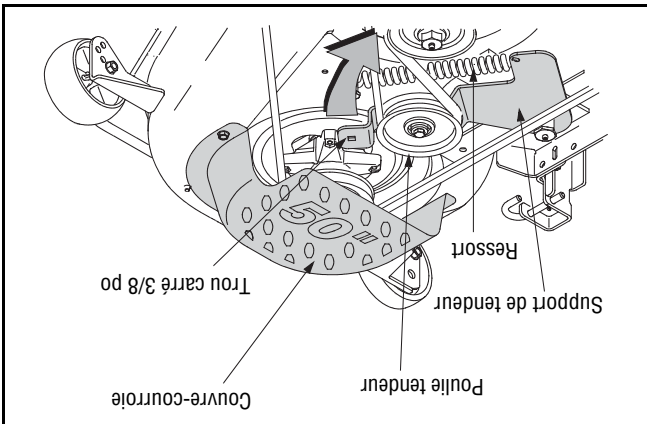
- Remisez dans un endroit propre et sec.

Figure 24



- Répétez les opérations ci-dessus sur la droite du tracteur.
 - Déplacez la manette de relavage du plateau de coupe dans l'encoche supérieure sur le garde-boue de droite pour relever les tringles de relavage du plateau et les éloigner.
 - Glissez lentement de plateau de coupe vers l'avant du tracteur pour que les crochets se détachent d'eux-mêmes de la tringle de stabilisation du plateau de coupe.
 - Glissez doucement le plateau de coupe (du côté droit) pour le dégager du dessous du tracteur.
- CHANGEMENT DES COURROIES DU PLATEAU ET DE LA PRISE DE FORCE**
- AVERTISSEMENT:** Avant de retirer les courroies, arrêtez le moteur, retirez la clé de contact, débranchez le fil de la bougie et mettez-le à la masse contre le moteur pour empêcher tout démarrage accidentel. Toutes les courroies du tracteur s'usent et doivent être remplacées à tout signe de fendillement, de déchirement ou de pourriture.
- AVERTISSEMENT:** Faites attention de ne pas vous pincer. Ne placez pas vos doigts sur le ressort de la poulie de tension ni entre la courroie et la poulie quand vous démontez la courroie.
- IMPORTANT:** Les courroies trapézoïdales installées sur le tracteur sont conçues pour un embrayage et un débrayage sans danger. L'emploi d'une courroie de remplacement (sans l'étiquette d'équipement d'origine) peut s'avérer dangereux si cette courroie ne se débraye pas complètement. N'utilisez que des courroies homologuées par l'usine.
- IMPORTANT:** Faites tourner la clé à cliquet lentement vers l'arrière avant de la dégager du trou carré.
- Dégagez la courroie du plateau de coupe de toutes les poulies, y compris la poulie de tension du plateau de coupe.
 - Installez les courroies neuves. Voir la Figure 24.
 - Remplacez les couvre-courroies retirés précédemment.
- IMPORTANT:** Faites tourner la clé à cliquet lentement vers l'arrière avant de la dégager du trou carré.
- IMPORTANT:** Avant de retirer le plateau de coupe, faites pivoter le manche de la clé à cliquet vers l'avant du tracteur pour détendre la courroie. Quand la courroie est assez lâche, dégagez-la doucement de la poulie à fusée de gauche.
- Abaissez le plateau de coupe en plaçant la manette de relavage dans l'encoche inférieure du garde-boue de droite.
 - Retirez les couvre-courroies en enlevant les vis auto-tarandusées qui les maintiennent sur le plateau de coupe.
 - Pour faciliter le démontage de la courroie plus tard, desserrez le boulon qui retient la poulie de tension pivotante sur son support, mais ne le retirez pas. Insérez une clé à cliquet de 3/8 po (pour desserrer) dans le trou carré qui se trouve sur le support de la poulie de tension, sur la gauche du plateau de coupe. Voir la Figure 23.
 - Faites pivoter le manche de la clé à cliquet vers l'avant du tracteur pour détendre la courroie.
 - Quand la courroie est assez lâche, dégagez-la doucement de la poulie à fusée de gauche.
- Procédez comme suit pour changer ou remplacer les courroies du plateau de coupe.

Figure 23



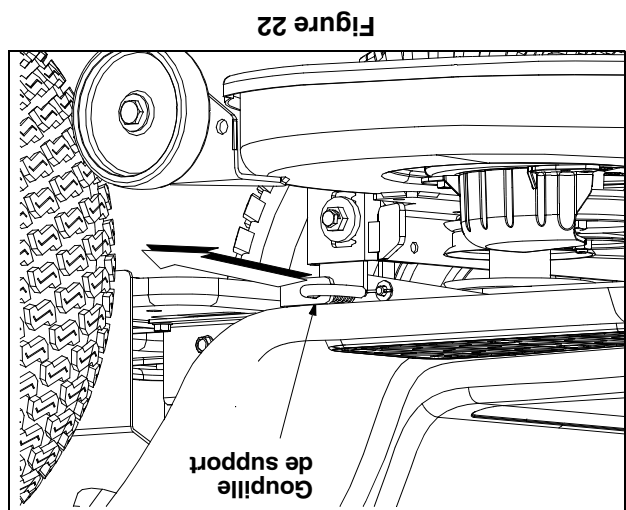


Figure 22

Sortez la goupille de support du plateau pour dégager celui-ci de la tige de relevage du plateau de coupe. Voir la Figure 22.

IMPORTANT: Tournez un peu la goupille vers l'arrière du tracteur et relâchez la goupille dans le trou aménagé.

Placez-vous sur la gauche du tracteur et repérez la goupille de support du plateau de coupe sur l'arrière, à gauche, du plateau de coupe.

REMARQUE: Il n'est pas nécessaire de retirer la courroie la plus basse pour retirer le plateau de coupe.

Placez la manette, ou le bouton, de la prise de force (Embrayage de la lame) à la position OFF (Arrêt) et serrez le frein de stationnement.

Abaissez le plateau de coupe en plaçant la manette de relevage dans l'encoche la plus basse du garde-boue de droite.

Retirez la courroie de la prise de force électrique d'autour de l'embrayage de la prise de force et de les poulies de tension de la prise de force.

REMARQUE: Il n'est pas nécessaire de retirer la courroie la plus basse pour retirer le plateau de coupe.

Démontez le plateau de coupe du tracteur. Procédez comme suit :

DÉMONTAGE DU PLATEAU DE COUPE

IMPORTANT: Remplacez toujours le fusible par un fusible de 20 amp.

Un fusible est installé sous le capot, derrière le haut du tableau de bord, sur la barre de support.

Si le système électrique ne fonctionne pas, ou si le moteur ne tourne pas, vérifiez d'abord que le fusible n'a pas sauté.

Les fusibles de 20 amps installés dans le faisceau de fils du tracteur protègent le système électrique du tracteur des dégâts causés par un ampérage trop élevé.

FUSIBLES

Ces pannes ne sont PAS couvertes par la garantie.

- le gel

- des raccords corrodés
- une charge excessive
- une charge insuffisante
- ne mise en service initiale incorrecte

notons:

Parmi les causes courantes de pannes de batterie,

PANNES DE LA BATTERIE

nettoyage ne pénétre pas dans la batterie.

ATTENTION: Faites attention que la solution de

empêcher toute corrosion.

exposés avec de la graisse ou de la vaseline pour déloger les saletés. Enduisez les bornes et les fils bornes de la batterie avec une brosse métallique pour commercial pour batteries. Au besoin, grattez les bicarbonate de soude et de l'eau ou avec un nettoyeur et évitez toute corrosion. Nettoyez la batterie avec des bornes et le dessus de la batterie propres

NETTOYAGE DE LA BATTERIE

d'autres véhicules.

AVERTISSEMENT: N'utilisez pas la batterie de tracteur pour mettre en marche



AVERTISSEMENT: Procéder d'une façon différente peut provoquer des étincelles et les vapeurs dégagées par les batteries peuvent exploser.



à plat de votre tracteur avec la batterie d'un véhicule en marche.

Branchez tout d'abord l'extrémité d'un câble volant à la borne positive de la batterie en bon état, puis l'autre extrémité du câble à la borne positive de la batterie à plat.

Branchez l'autre câble volant sur la borne négative de la batterie en bon état, puis sur le châssis de la machine dont la batterie est à plat.

IMPORTANT: Ne faites jamais démarrer la batterie à plat de votre tracteur avec la batterie d'un véhicule en

contact du tournévis avec le châssis.

AVERTISSEMENT: Procédez comme suit pour démonter ou installer la batterie, pour éviter tout risque de court-circuit par



DÉMARRAGE PAR CÂBLES VOLANTS

produisez pas d'étincelles ni de flammes à proximité.

AVERTISSEMENT: Les batteries dégagent des gaz explosifs pendant leur mise en charge et après. Chargez toujours les batteries dans un endroit bien aéré et ne



Si le tracteur n'a pas été utilisé depuis longtemps, il faudra charger la batterie avec un chargeur automobile de 12 volts pendant au moins une heure à six ampères.

CHARGE DE LA BATTERIE

1. Les fils de la batterie doivent être branchés correctement sur les bornes. Les intervenir risque de changer la polarité et endommager le système alternatif du moteur.
2. N'utilisez pas des câbles volants sur une batterie endommagée.
3. Débranchez la borne négative avant de remiser la batterie complètement chargée.

IMPORTANT:

IMPORTANT: Si, pour une raison quelconque, il est nécessaire de démonter la batterie, débranchez toujours le câble NÉGATIF (noir) de la borne négative, puis le câble POSITIF (rouge). Lors du remontage de la batterie, branchez toujours le câble POSITIF (rouge) sur la borne positive, puis le câble NÉGATIF (noir) sur la borne positive, puis le câble NÉGATIF (noir). Vérifiez que les câbles sont branchés sur les bornes correspondantes. Leur inversion peut changer la polarité et endommager l'alternateur du moteur.

- Assurez-vous que la gaine est toujours bien placée sur la borne positive pour éviter tout court-circuit.
- IMPORTANT: Si, pour une raison quelconque, il est nécessaire de démonter la batterie, débranchez toujours le câble NÉGATIF (noir) de la borne négative, puis le câble POSITIF (rouge). Lors du remontage de la batterie, branchez toujours le câble POSITIF (rouge) sur la borne positive, puis le câble NÉGATIF (noir) sur la borne positive, puis le câble NÉGATIF (noir). Vérifiez que les câbles et bornes de la batterie sont toujours propres et ne sont pas corrodés. Après avoir nettoyé la batterie et les bornes, appliquez une légère couche de vaseline ou de graisse sur les bornes et sur la gaine de la borne positive.
- Vérifiez que les câbles et bornes de la batterie sont toujours propres et ne sont pas corrodés. Après avoir nettoyé la batterie et les bornes, appliquez une légère couche de vaseline ou de graisse sur les bornes et sur la gaine de la borne positive.
- Assurez-vous que la gaine est toujours bien placée sur la borne positive pour éviter tout court-circuit.



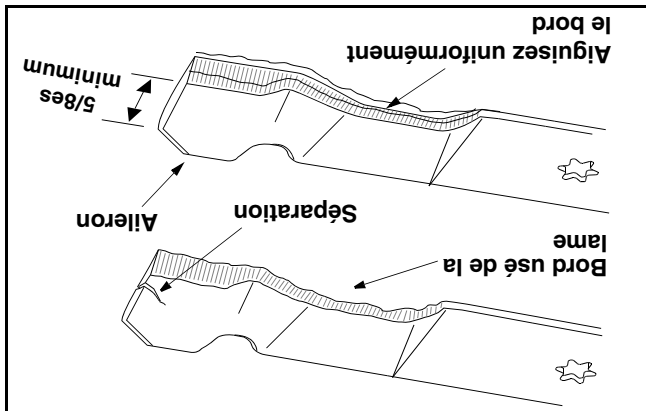
AVERTISSEMENT: Il est recommandé de bien se protéger les yeux (avec des lunettes de sécurité ou un masque), la peau et les vêtements en manipulant de l'acide pour batterie (électrolyte) ou une batterie contenant de l'acide.

La batterie est scellée et ne nécessite aucun entretien. Il n'est pas possible de vérifier le niveau de l'acide.

BATTERIE

IMPORTANT: Utilisez une clé dynamométrique pour serrer l'écrou à bride à six pans sur la fusée de la lame à un couple de 70 pieds-livre à 90 pieds-livre.

Figure 21



IMPORTANT: Si le bord tranchant a déjà été aiguisé et qu'il reste moins de 5/8es po à l'aileron, ou si une séparation des couches métalliques s'est produite, remplacez les lames. Voir la Figure 21.

- Démontez le plateau de coupe sous le tracteur (voir la partie DÉMONTAGE DU PLATEAU DE COUPE), puis retournez-le pour travailler sur le dessous.
- Placez une cale de bois entre le déflecteur au milieu du plateau et la lame. Voir la Figure 20.
- Utilisez une clé de 15/16 po pour retirer l'écrou à bride à six pans qui maintient la lame. Voir la Figure 20.

angle de 25° à 30°.

IMPORTANT: Si le bord tranchant a déjà été aiguisé et qu'il reste moins de 5/8es po à l'aileron, ou si une séparation des couches métalliques s'est produite, remplacez les lames. Voir la Figure 21.

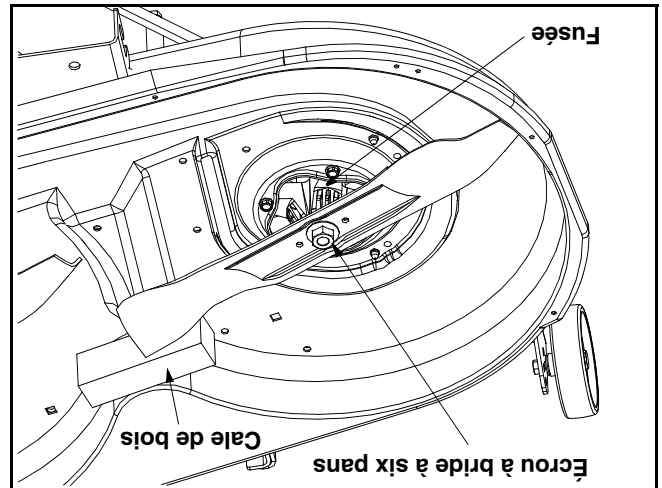


Figure 20

Il est essentiel d'aiguiser également les tranchants pour conserver une lame bien équilibrée. En effet, une lame déséquilibrée risque de vibrer excessivement à vitesse élevée. Ceci peut endommager le tracteur et causer des blessures.

Vérifiez le bon équilibrage de la lame en la plaçant sur la tige ronde d'un tournevis. Meulez le métal du côté plus lourd jusqu'à ce qu'elle soit bien équilibrée.

IMPORTANT: Faites attention, en remplaçant la lame, de tourner le côté « Bottom » (ou sur lequel un numéro de pièce est estampé) vers le sol quand la machine est utilisée.

IMPORTANT: Utilisez une clé dynamométrique pour serrer l'écrou à bride à six pans sur la fusée de la lame à un couple de 70 pieds-livre à 90 pieds-livre.



AVERTISSEMENT: Avant de lubrifier, réparer ou inspecter, débrayez la prise de force, placez le sélecteur de vitesse au point mort, serrez le frein de stationnement, arrêtez le moteur, et enlevez la clé pour éviter tout démarrage accidentel.

Moteur
Lubrifiez le moteur avec une huile à moteur de la qualité recommandée dans la notice d'utilisation du moteur fournie avec la machine.

Points de pivotement et timonerie
Lubrifiez tous les points de pivot de la transmission, le frein de stationnement et la timonerie de relevage au moins une fois par saison avec une huile légère.

Roue arrière
Démontez les roues arrière des essieux une fois par saison. Lubrifiez bien les essieux et les jantes avec une graisse automobile tout usage avant de les installer à nouveau. Voir la Figure 18.

Roue avant
Les essieux et jantes des roues avant pivotantes sont équipées d'un raccord graisseur. Lubrifiez-les avec un pistolet graisseur toutes les 25 heures d'utilisation du tracteur ou au moins une fois par saison. Voir la Figure 18.

Pouie de tension du plateau de coupe
Un raccord graisseur se trouve sur le support pivotant de la pouie de tension du plateau de coupe. Utilisez un pistolet graisseur pour lubrifier avec de la graisse n° 2 tout usage après les 25 premières heures de fonctionnement du tracteur. Voir la Figure 19.

CHAPITRE 10: SERVICE

PNEUS



AVERTISSEMENT: Ne dépassez jamais la pression maximale indiquée sur le flanc du pneu.

La pression de travail recommandée est de 10 lb/po² environ pour les pneus arrière et de 14 lb/po² pour les pneus avant. La pression recommandée par le fabricant est indiquée sur le flanc des pneus. Ne gonflez pas excessivement les pneus. Une pression inégale peut causer la tonte inégale de l'herbe.

LAMES



AVERTISSEMENT: Arrêtez le moteur, enlevez la clé d'allumage, débranchez le fil de la bougie et mettez-le à la masse contre le moteur pour empêcher tout démarrage accidentel avant de démonter les lames pour les aiguiser ou les remplacer. Portez toujours des gants épais ou utilisez un chiffon pour manipuler les lames.

Procédez comme suit pour démonter les lames :

AVERTISSEMENT: Examinez régulièrement les fusées pour vous assurer qu'ils ne sont pas fendillés ou endommagés, surtout après avoir heurté un objet quelconque. Remplacez-les immédiatement s'ils sont endommagés.

2. Débrayez la prise de force ; forcez le levier de vitesses au point mort ; serrez le frein de stationnement et coupez le moteur.
3. Vissez le raccord pour boyau d'arrosage (fourni avec cette notice d'utilisation) sur l'extrémité du boyau d'arrosage.
4. Attachez le raccord pour boyau d'arrosage à l'orifice aménagé sur la surface du plateau de coupe. Voir la Figure 17.
5. Ouvrez le robinet d'eau.
6. Retournez au poste de conduite et remettez le tracteur en marche, puis placez la commande de l'obturateur à la position <<FAST>> (Rapide - Laps).
7. Embrayez la prise de force du tracteur.
8. **Restez au poste de conduite** pendant un minimum de deux minutes après avoir embrayé le plateau de coupe pour que le dessous du plateau soit rincé à fond.
9. Débrayez la prise de force du tracteur.
10. Tournez la clé de contact à la position <<STOP>> (Arrêt) pour couper le moteur.
11. Fermez le robinet d'eau et débranchez le raccord du boyau d'arrosage de l'orifice sur la surface du plateau de coupe. Répétez les instructions 4 à 11 pour nettoyer l'autre côté du plateau de coupe.

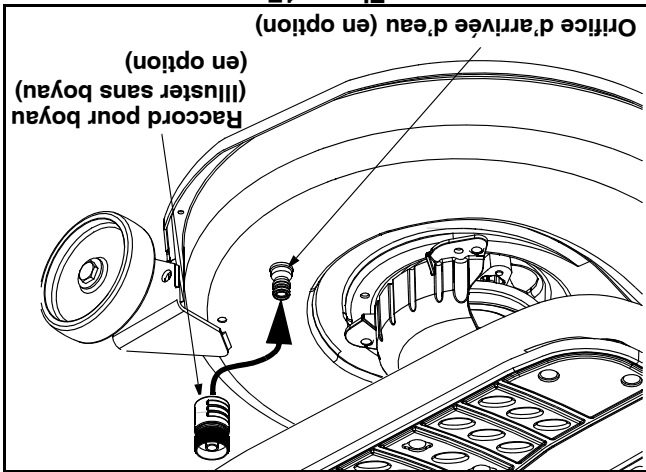


Figure 17

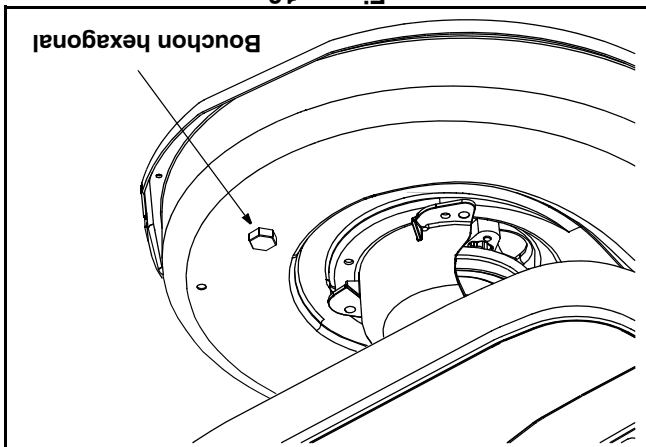


Figure 16

REMARQUE: Il peut être nécessaire selon le modèle du moteur de votre tracteur, de retirer le panneau latéral pour remplacer le filtre à huile (le cas échéant).

- Dévissez le bouchon d'huile et sortez la jauge à huile du goulot de remplissage. Voir la Figure 15.
- Soulevez le capuchon de protection à l'extrémité de la soupape de vidange de l'huile pour exposer l'orifice de vidange. Voir la Figure 15.
- Placez le boyau de vidange de l'huile (fourni) sur l'orifice. Placez l'autre extrémité dans un récipient approprié, d'une capacité suffisante pour contenir l'huile usagée.
- Enfoncez légèrement la soupape de vidange de l'huile, puis faites-la tourner dans le sens contraire aux aiguilles d'une montre et sortez-la pour faire arriver l'huile. Voir la Figure 15.
- Assurez l'entretien du **filtre à huile** (le cas échéant) selon les instructions qui se trouvent dans la notice d'utilisation du moteur.
- Répétez ces instructions dans l'ordre inverse quand l'huile a cessé de couler.
- Faites à nouveau le plein avec une huile propre.

IMPORTANT: Utilisez la quantité et la qualité d'huile recommandées dans la notice d'utilisation du moteur.

Nettoyez le **filtre à air** toutes les 25 heures d'utilisation dans des conditions normales. Nettoyez-le plus souvent dans des conditions poussiéreuses. Consultez la notice d'utilisation du moteur quant aux instructions d'entretien du filtre à air.

Les **bougies** doivent être nettoyées une fois par saison et l'écartement des bougies doit être ajusté une fois par an. Il est recommandé de remplacer la bougie au début de la saison. Consultez la notice d'utilisation du moteur quant au modèle de bougie et à l'écartement.

SYSTÈME DE NETTOYAGE (en option)

Un bouchon est placé sur le plateau de coupe du tracteur.

Ce bouchon hexagonal peut être remplacé par un orifice à eau à utiliser avec le système de nettoyage du plateau vendu séparément. Servez-vous du système de nettoyage pour éliminer les brins d'herbe du dessous du plateau de coupe pour empêcher toute accumulation de produits chimiques corrosifs. Procédez comme suit après chaque utilisation:

1. Stationnez votre tracteur sur une surface plane et dégagée, suffisamment proche d'un robinet d'eau pour pouvoir y brancher un boyau d'arrosage.

IMPORTANT: Vérifiez que la goulotte d'éjection du tracteur n'est pas dirigée vers un bâtiment, des véhicules, etc.

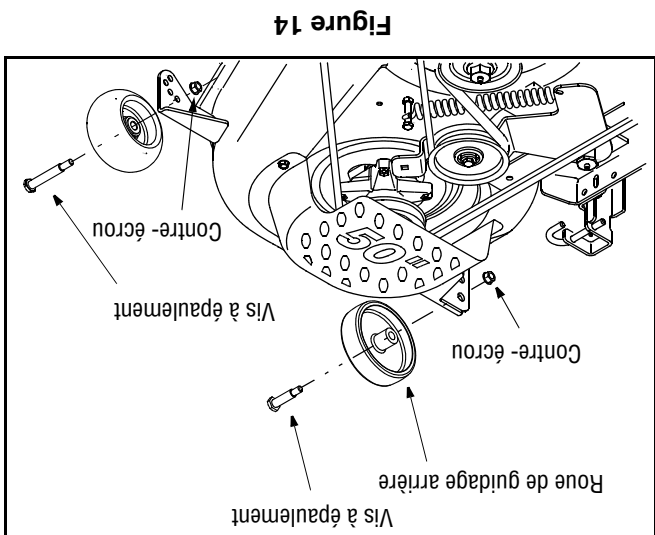


Figure 14

- Si l'espace entre les roues de guidage et le sol est trop important, abaissez les roues dans le trou indexé qui assure un dégagement de 1/2 po environ, de la façon décrite ci-dessus.
- Consultez la section **Mise de niveau du plateau de coupe**, de cette notice d'utilisation pour de plus amples renseignements concernant les divers ajustements du plateau de coupe.

- Placez le tracteur sur une surface ferme et plane, de préférence goudronnée. Consultez la Figure 14 et procédez comme suit :
- Placez la manette de relevage du plateau de coupe du tracteur à la hauteur de travail normale, puis vérifiez si les roues de guidage sont en contact avec le sol ou si le dégagement est trop important.
- Si les roues touchent la surface, ajustez comme suit :
- a. Placez la manette de relevage du plateau de coupe à la position la plus haute.
- b. Démontez les roues de guidage arrière en enlevant les contre-écrous et les vis à épaulement qui les maintiennent sur le plateau de coupe.
- c. Enlevez les contre-écrous et les vis à épaulement qui maintiennent les roues de guidage avant sur le plateau de coupe.
- d. Placez la manette de relevage du plateau de coupe à la position de travail désirée.
- e. Enfoncez la vis à épaulement de la roue de guidage arrière dans le trou indexé qui laisse environ 1/2 po entre la base de la roue et la surface goudronnée.
- f. Notez la position du trou indexé utilisé, puis installez l'autre roue de guidage arrière et les roues à billes avant dans le trou indexé

CHAPITRE 8 : ENTRETIEN



AVERTISSEMENT: Avant d'effectuer

tout réglage ou toute réparation, placez la prise de force à la position non enclenchée, placez le sélecteur de changement de vitesse au point mort, serrez le frein, arrêtez le moteur et retirez la clé pour empêcher tout démarrage non intentionnel.

NETTOYAGE DU MOTEUR ET DU PLATEAU DE COUPE

Essayez immédiatement toutes les éclaboussures d'huile ou d'essence.

Ne laissez pas l'herbe, les feuilles et la saleté s'accumuler à proximité des ailettes de refroidissement du moteur ou sur toute autre partie de la machine, surtout sur les poulies ou autre pièce mobile.

IMPORTANT: L'utilisation d'un nettoyeur sous pression ou d'un boyau d'arrosage pour nettoyer le tracteur est déconseillée. Cela risque en effet d'endommager les composants électriques, les fusées, les poulies, les roulements ou le moteur. L'emploi d'eau à tendance à raccourcir la vie du tracteur et à limiter sa facilité d'entretien.

MOTEUR

Consultez la notice d'utilisation du moteur quant aux instructions d'entretien du moteur.

Vérifiez le niveau d'huile à moteur avant chaque utilisation en suivant les instructions fournies dans la notice d'utilisation du moteur. Veuillez la lire attentivement et suivre les instructions.

VIDANGE D'HUILE À MOTEUR

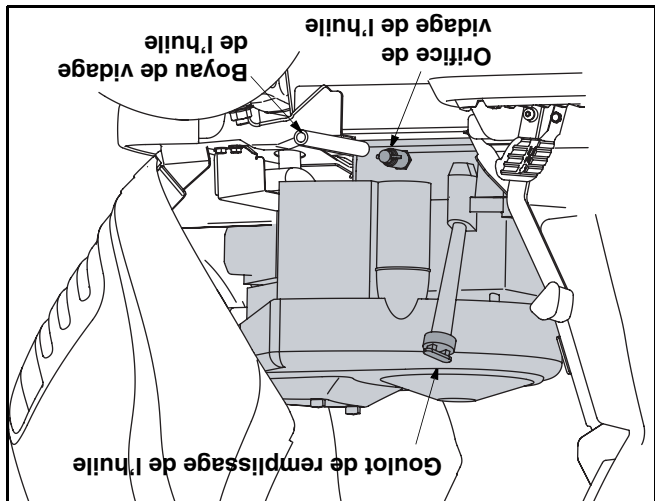


Figure 15

- Desserrez l'écrou de blocage de la tige d'entraînement sur l'arrière du joint à rotule. Voir la Figure 13.
- Retirez l'écrou à six pans et la rondelle-frein sur le dessus du joint à rotule. Voir la Figure 13.
- Vissez le joint à rotule vers l'écrou de blocage pour raccourcir la tige d'entraînement. Dévissez le joint à rotule de l'écrou de blocage pour allonger la tige d'entraînement.
- Remettez l'écrou à six pans et la rondelle-frein en place et resserrerz l'écrou de blocage.

REMARQUE: Le fait de trop visser les joints à rotule sur les tiges d'entraînement causera le pincement excessif des roues avant. Le pincement idéal se situe entre 1/16 et 5/16es po.

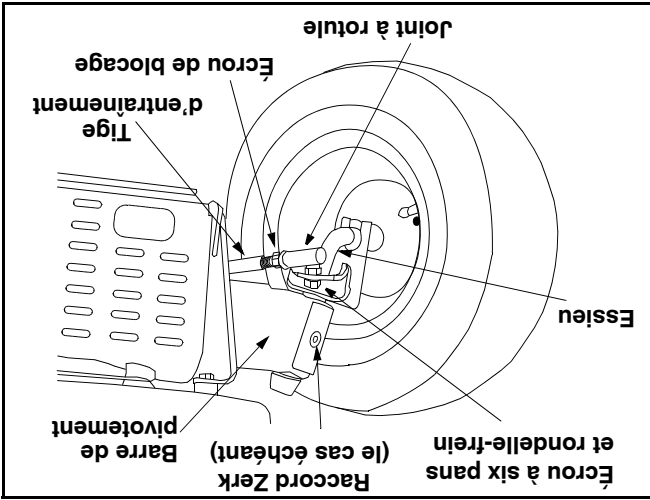


Figure 13

On mesure le pincement des roues avant de la manière suivante :

- Redressez le volant pour que les roues soient bien droites.
- Mesurez la distance horizontale, à l'avant de l'essieu, entre l'intérieur de la jante gauche et l'intérieur de la jante droite. Notez la distance.
- Mesurez la distance horizontale, à l'arrière de l'essieu, entre l'intérieur de la jante gauche et l'intérieur de la jante droite. Notez la distance.
- La mesure relevée à l'avant de l'essieu doit être entre 1/16 et 5/16es de po de moins que la mesure à l'arrière de l'essieu.
- Faites l'ajustement nécessaire.

RÉGLAGE DES ROUES DE GUIDAGE

Choisissez la hauteur du plateau de coupe en plaçant la manette de relevage dans l'une des six encoches sur le garde-boue de droite.

Ajustez les roues du plateau de coupe comme suit, pour qu'elles se trouvent entre ¼ et ½ po du sol.

AVERTISSEMENT: Éloignez les mains et les pieds de l'ouverture d'éjection sur le plateau de coupe.



RÉGLAGE DU FREIN

Pour ajuster la position du siège, desserrez les deux boutons en-dessous de le siège. Glissez le siège en avant ou vers l'arrière jusqu'à la position désirée. Serrez les deux boutons.

AVERTISSEMENT: N'essayez jamais d'ajuster les freins pendant que le moteur tourne. Arrêtez toujours les lames et la prise de force, placez le sélecteur de vitesse au point mort, arrêtez le moteur et retirez la clé avant de quitter le tracteur.

Si le tracteur ne s'immobilise pas complètement quand la pédale de frein est enfoncée, ou si les roues arrière du tracteur peuvent tourner alors que le frein de stationnement est serré, il faudra ajuster le frein. Le disque du frein se trouve sur la droite de la transmission, sur l'arrière du tracteur. Procédez comme suit :

- Placez-vous sur la droite du tracteur et repérez le ressort de compression et le disque du frein sur la transmission.
- Desserrez, mais ne le retirez pas, l'écrou à six pans sur la droite du frein.
- Servez-vous d'un calibre d'épaisseur pour vérifier l'écartement entre le disque et le galet du frein. L'écartement recommandé est de 0,011 po.
- Serrez l'écrou à six pans desserrez auparavant.

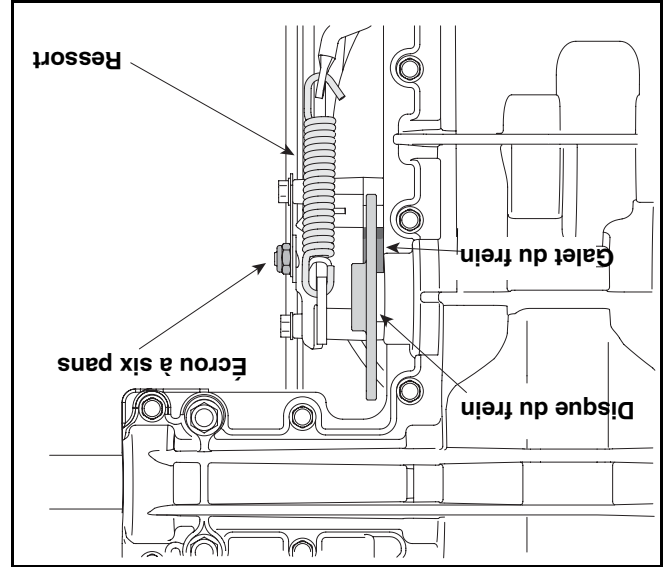


Figure 12

RÉGLAGE DE LA DIRECTION

Si le tracteur tourne plus serré d'un côté que de l'autre, ou si les joints à rotule doivent être remplacés parce qu'ils sont usés ou endommagés, il faudra peut-être ajuster les tiges d'entraînement de la direction. Ajustez les tiges d'entraînement de façon que des longneurs égales soient vissées dans le joint à rotule de gauche et dans celui de droite :

Pour ajuster la position du siège, déserrez les deux boutons en-dessous de le siège. Glissez le siège en avant ou vers l'arrière jusqu'à la position désirée. Serrez les deux boutons.

Réglage normal du siège (boutons) (le cas échéant)

Pour ajuster la position du siège, déplacez la manette de réglage du siège (sous le siège) vers la gauche et avancez ou reculez le siège. Assurez-vous que le siège est bloqué à l'une des positions avant de mettre le tracteur en marche. Voir la Figure 11

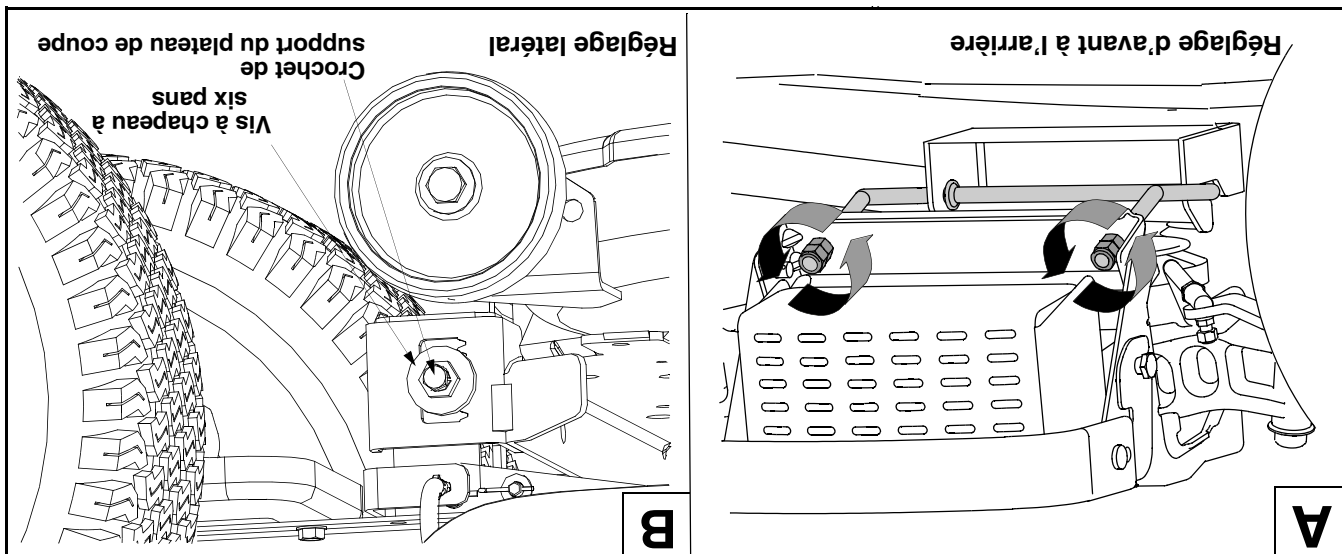
Réglage facile (le cas échéant)

AVERTISSEMENT: Avant d'utiliser cette machine, assurez-vous que le siège est bien bloqué dans la butée. Placez-vous derrière la machine et tirez sur le siège jusqu'à ce qu'il soit complètement emboîté dans la butée.



RÉGLAGE DU SIÈGE

Figure 10

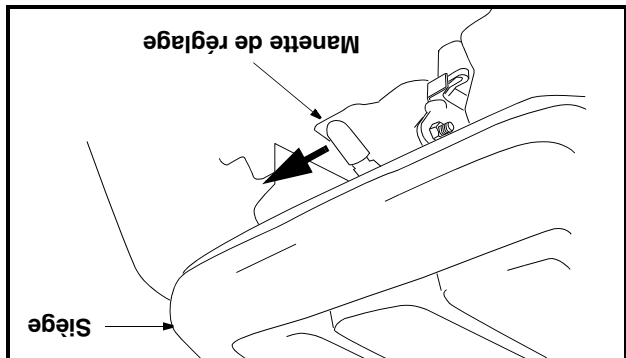


Si le plateau de coupe paraît tondre de manière inégale, il faudra peut-être effectuer un réglage latéral. Procédez comme suit :

- De l'avant du tracteur, desserrez le contre-écrou à six pans le plus à l'extérieur, sur l'extrémité de la tige de suspension du plateau de coupe. Voir la Figure 10A.
- Serrez le contre-écrou à six pans intérieur contre le support de suspension avant pour relever l'avant du plateau de coupe ; desserrez l'écrou à six pans pour abaisser l'avant du plateau. Voir la Figure 10A.
- Resserrez les deux contre-écrous à six pans contre les écrous à six pans intérieurs quand le réglage voulu est atteint.
- Si le plateau de coupe paraît tondre de manière inégale, il faudra peut-être effectuer un réglage latéral. Procédez comme suit :
- Stationnez le tracteur sur une surface stable et plane et positionnez la manette de relavage dans l'encoche supérieure (la position la plus haute) et

tournez les deux lames pour qu'elles soient parallèles au tracteur. Mesurez la distance d'entre l'extérieur de la lame gauche et le sol et l'extérieur de la lame droite et le sol. Les deux relevés doivent être égaux. Sinon, passez au paragraphe suivant. Desserrez, **sans** la retirer, la vis à chapeau à six pans sur le crochet de support gauche du plateau de coupe. Voir la Figure 10B. Equilibrerez le plateau de coupe en utilisant une clé pour tourner la vis à chapeau à six pans (trouvée précédemment) dans le sens d'aiguilles d'une montre / haut ou en sens inverse des aiguilles d'une montre / bas. Equilibrerez le plateau de coupe pour que les deux relevés soient égaux. Resserrez la vis à chapeau à six pans sur le crochet de support gauche une fois le réglage effectué.

Figure 11



- Pour débrayer la prise de force, poussez sur le bouton de la prise de force ou placez la manette de la prise de force à la position « Blade Stop» . Ceci débraye effectivement le plateau de coupe et les autres accessoires.

UTILISATION DE LA MANETTE DE RELEVAGE

Pour relever le plateau de coupe, déplacez la manette de relevage vers la gauche, puis positionnez-la dans l'encoche correspondant à l'emploi voulu. Consultez la partie RÉGLAGE DE LA HAUTEUR DE COUPE abordée plus tôt dans ce chapitre.

TONTE DE L'HERBE

Ce tracteur est équipé d'un plateau de coupe de haute qualité. Les renseignements suivants seront utiles lors de l'emploi du plateau de coupe avec le tracteur.



AVERTISSEMENT: Pour aider à éviter le contact avec les lames ou les blessures provoqués par les objets projetés, gardez les spectateurs, les animaux de compagnie et les enfants à une distance d'au moins 75 pieds de la machine quand elle est en marche. Arrêtez la machine si quelqu'un s'approche la zone de travail.



AVERTISSEMENT: Prévoyez de travailler en évitant de projeter l'herbe vers des rues, des trottoirs, des spectateurs, etc. Évitez d'éjecter l'herbe en direction d'un mur ou d'un obstacle. De cette façon, les débris éventuels ne risquent pas de ricocher et de blesser quelqu'un.

CHAPITRE 7: RÉGLAGES

MISE À NIVEAU DU PLATEAU DE COUPE



AVERTISSEMENT: N'essayez jamais d'effectuer un réglage quelconque pendant que le moteur tourne, sauf en cas d'instructions spéciales dans la notice d'utilisation.



AVERTISSEMENT: Débranchez le fil de la bougie et mettez-le à la masse contre le moteur avant d'effectuer tout réglage, toute réparation ou toute opération d'entretien.

Réglage d'avant à l'arrière

celle notice d'utilisation.

REMARQUE: Vérifiez la pression des pneus du tracteur avant de régler le plateau de coupe. Consultez la partie PNEUS dans le chapitre sur l'entretien dans cette notice d'utilisation.

- Ne tondez pas en vous déplaçant rapidement, surtout si un ensemble de déchiquetage ou un collecteur d'herbe est installé.
- Vous obtiendrez de meilleurs résultats en dirigeant l'herbe coupée lors des deux premiers passages vers le centre de la zone de travail. Par la suite, changez de direction pour évacuer l'herbe coupée vers l'extérieur. Votre pelouse aura ainsi meilleure apparence.
- Ne tondez pas l'herbe trop court. Les mauvaises herbes pousseraient plus vite et le gazon risquerait de jaunir plus rapidement pendant les périodes sèches.
- Tondez toujours à plein régime.
- Si l'herbe est très touffue, il faudra peut-être effectuer un deuxième passage pour obtenir une tonte nette.
- N'essayez pas de tondre les broussailles, les mauvaises herbes ou de l'herbe extrêmement haute. Cette tracteur est conçu pour l'entretien normal de pelouses résidentielles.
- Utilisez toujours des lames bien affûtées et remplacez-les si elles sont usées. Consultez le chapitre ENTRETIEN dans cette notice d'utilisation quant aux instructions d'aiguillage.

UTILISATION DES PHARES

Sur certains modèles, les phares sont ALLUMÉS quand le moteur tourne. Sur d'autres modèles, les phares sont ALLUMÉS quand la clé de contact quitte la position « Stop » (Arrêt).

Sur tous les modèles, les phares s'éteignent quand la clé revient à la position « Stop » (Arrêt).

REMARQUE: Ne déplacez jamais la clé à la position Start (Démarrage) quand le moteur tourne. Vous risquez d'endommager le démarreur.

«Commulateurs internes de sécurité».

trouve en position de marche arrière. Lire la section prise de force est embrayée alors que la pédale se de la prise de force s'arrêtera automatiquement si la

IMPORTANT: Le moteur ou l'embrayage électrique **REMARQUE:** Conservez l'obturateur à la position FAST (lapin) pour que le plateau de coupe ou tout autre accessoire fonctionne de façon efficace.

• Tirez sur le bouton de la prise de force pour l'embrayer. Voir la Figure 9.

Modèles avec prise de force électrique

• Déplacez la manette de la prise de force pour l'embrayer (position ON).

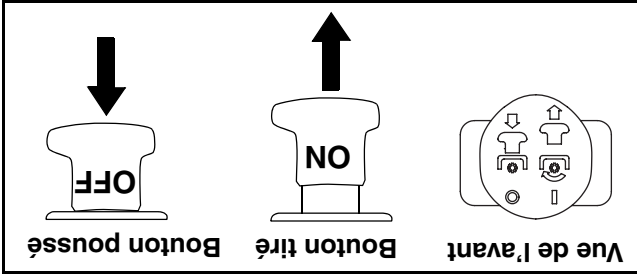
Modèles avec prise de force manuelle

• Placez la manette de commande de l'obturateur à la position FAST (Rapide - lapin).

• L'embrayage de la prise de force transfère la puissance nécessaire au plateau de coupe ou tout autre accessoire (disponible séparément). Procédez comme suit pour embrayer la prise de force électrique:

ENCLANCHEMENT DU PRISE DE FORCE

Figure 9



vous et enfoncez la pédale d'accélérateur lentement.

Pour passer en marche arrière en utilisant le régulateur de vitesse en marche avant, appuyez sur la pédale de frein pour débrayer le régulateur de vitesse et pour immobiliser le tracteur. Placez le levier de vitesses en marche arrière, vérifiez la zone derrière

• Appuyez sur la pédale de frein pour desserrer le régulateur de vitesse et pour arrêter le tracteur.

• Appuyez légèrement sur la pédale d'accélérateur.

Pour desserrer régulateur de vitesse, procédez comme suit :

REMARQUE: Le régulateur de vitesse ne peut être enclenché à la vitesse de déplacement du tracteur la plus rapide. Si le conducteur essaie de l'enclencher, le tracteur ralentit automatiquement à la vitesse de travail optimale.

• S'ils sont bien engagés, le bouton du régulateur de vitesse et la pédale d'accélérateur seront bloqués et le tracteur conservera la même vitesse de déplacement.

• Placez le levier du sélecteur de vitesse à la position FORWARD (marche avant), puis enfoncez lentement la pédale d'accélérateur jusqu'à l'obtention de la vitesse désirée.

• Appuyez légèrement sur le bouton du régulateur de vitesse.

• Maintenez le bouton du régulateur de vitesse enfoncé, relevez votre pied de la pédale

REMARQUE: Le régulateur de vitesse devrait *seulement être utilisé tout en voyagant vers l'avant.*

RÉGLAGE DU RÉGULATEUR DE VITESSE

risques de renversement du tracteur.

• démarrez lentement pour réduire au maximum les toutefois nécessaires, procédez en douceur et Ne vous arrêtez pas sur une pente. Si un arrêt est accru les risques de renversement.

• descendante. Le fait de tourner sur une pente de tourner, virez dans le sens de la pente d'Evitez de tourner sur une pente. S'il est essentiel obstacles.

• machine. L'herbe haute risque de cacher des irrégulier peut causer le renversement de la roches ou autres obstacles cachés. Un terrain

• Faites attention aux trous, ornières, bosses, perpendiculairement.

• Travaillez parallèlement à la pente, jamais

et de vous blesser grièvement.

• pieds). Le tracteur risquerait de se retourner une élévation de 2 1/2 pieds environ par 10 sur des pentes de plus de 15 degrés (soit



AVERTISSEMENT: Ne conduisez pas

sur des pentes de plus de 15 degrés (soit une élévation de 2 1/2 pieds environ par 10 pieds). Le tracteur risquerait de se retourner et de vous blesser grièvement.

CONDUITE SUR PENTE

Utilisez l'INCLINOMÈTRE à la page 7 pour déterminer si vous pouvez travailler en tout sécurité sur une

REMARQUE: N'utilisez pas le levier de vitesses pour passer de marche avant en marche arrière, et vice versa, pendant que le tracteur est en mouvement. Arrêtez toujours complètement le tracteur, en utilisant la pédale de frein, avant de changer de direction.

• Pour avancer, placez le sélecteur de vitesse à la zone derrière vous et appuyez lentement sur la pédale d'accélérateur.

• Pour reculer, placez le sélecteur de vitesse à la position REVERSE (Marche arrière), vérifiez la l'obtention de la vitesse désirée.

• Pour reculer, placez le sélecteur de vitesse à la position FORWARD (Marche avant), puis appuyez lentement sur la pédale d'accélérateur jusqu'à l'obtention de la vitesse désirée.

• Pour avancer, placez le sélecteur de vitesse à la position FAST (lapin).

• Placez la manette de l'obturateur à la position frein de stationnement et laissez la pédale revenir.

• Appuyez sur la pédale de frein pour desserrer le

AVERTISSEMENT: Évitez les démarrages brusques, toute vitesse excessive et les arrêts soudains.

AVERTISSEMENT: Ne quittez pas le poste de conduite sans avoir d'abord placé la manette, ou le bouton, de la prise de force à la position OFF (non enclenchée), enfoncé la pédale de frein et serré le frein de stationnement. Si vous laissez le tracteur sans surveillance, pensez à retirer la clé.



CONDUITE DU TRACTEUR

REMARQUE: Le frein de stationnement doit être serré si le conducteur quitte son siège alors que le moteur tourne; dans le cas contraire, le moteur s'arrêtera automatiquement.

- Appuyez légèrement sur la pédale de frein. Pour desserrer le frein de stationnement : bloqués.
- Quand le frein est serré, le bouton du frein de stationnement et la pédale de frein resteront enfoncés et retirerez votre pied de la pédale de frein.
- Maintenez le bouton du frein de stationnement sur le bouton du frein de stationnement.
- Appuyez à fond sur la pédale de frein et gardez-la enfoncée pendant que vous poussez doucement sur le bouton du frein de stationnement.
- Pour serrer le frein de stationnement : Appuyez légèrement sur la pédale de frein.

FREIN DE STATIONNEMENT

- Placez la manette, ou le bouton, de la prise de force (Embrayage de la lame) à la position OFF (non enclenchée).
- Tournez la clé dans le sens contraire aux aiguilles d'une montre jusqu'à la position OFF (Arrêt).
- Retirez la clé de l'allumage pour empêcher tout démarrage accidentel.

ARRÊT DU MOTEUR

AVERTISSEMENT: Arrêtez le moteur après avoir heurté un objet quelconque. Débranchez le fil de la bougie et vérifiez soigneusement que la tondeuse n'est pas endommagée. Réparez les dégâts éventuels avant de remettre la tondeuse en route.



REMARQUE: N'utilisez PAS le tracteur si le volet de départ est fermé. Le mélange de carburant serait trop riche et le moteur risquerait de tourner de façon peu performante.

- Quand le moteur tourne, déclenchez le volet de départ.
- REMARQUE:** En cas de problèmes lors du démarrage, consultez le chapitre Guide de dépannage dans cette notice d'utilisation.

IMPORTANT: Ne tenez PAS la clé à la position START (Démarrage) pendant plus de 10 secondes, car vous risquez d'endommager le démarreur.

- Insérez la clé du tracteur dans le commutateur d'allumage.
- Placez la manette, ou le bouton, de la prise de force à la position OFF (non enclenchée).
- Appuyez sur la pédale de frein et serrez le frein de stationnement.
- Placez la commande de l'obturateur à la position FAST (Rapide).
- Tirez sur le bouton du volet de départ, le cas échéant (il n'est pas nécessaire de fermer le volet de départ si le moteur est chaud).
- Tournez la clé dans le sens des aiguilles d'une montre, jusqu'à la position START (Démarrage). Quand le moteur tourne, lâchez la clé. Elle revient à la position Normal Mowing (Marche).

REMARQUE: Consultez le chapitre MONTAGE DU TRACTEUR dans cette notice d'utilisation quant aux instructions concernant les pleins d'essence et d'huile.

AVERTISSEMENT: N'utilisez pas le tracteur si le système de sécurité est défectueux. Ce système a été conçu pour votre sécurité et protection.



MISE EN MARCHÉ DU MOTEUR

Consultez le chapitre RÉGLAGES dans cette notice d'utilisation quant aux divers réglages du plateau de coupe.

REMARQUE: Les roues de guidage du plateau de coupe permettent d'éviter d'arracher l'herbe, mais elles ne sont pas conçues pour supporter le poids du plateau de coupe.

AVERTISSEMENT: N'approchez pas les mains et les pieds de l'ouverture de la goulotte d'éjection du plateau de coupe.



Choisissez la hauteur du plateau de coupe en plaçant la manette de relevage du plateau dans l'une des six encoches sur le garde-boue de droite. Ajustez les roues du plateau de coupe entre 1/4 et 1/2 po du sol quand le tracteur se trouve sur une surface lisse et plate (entrée de garage).

RÉGLAGE DE LA HAUTEUR DE COUPE

- Le conducteur quitte le poste de conduite (modèles équipés d'une PRISE DE FORCE ELECTRIQUE SEULEMENT).
- Le conducteur serre le frein de stationnement en appuyant à fond sur la pédale de frein et en la maintenant à cette position tout en poussant sur le bouton du frein de stationnement (modèles à PRISE DE FORCE MANUELLE SEULEMENT).

- Si la clé de contact se trouve à la position « **NORMAL MOWING** » (Tonte normale), la prise de force électrique est automatiquement débrayée si la manette de la prise de force (Embrayage de la lame) est placée à la position « ON » (Embrayée) alors que le levier de vitesses se trouve à la position de marche arrière.

AVERTISSEMENT

ÉVITEZ DES BLESSURES GRAVES OU MORTELLES

- TRAVAILLEZ PARALLÈLEMENT À LA PENTE, JAMAIS PERPENDICULAIREMENT.
- ÉVITEZ DE TOURNER BRUSQUEMENT.
- N'UTILISEZ PAS LE TRACTEUR S'IL RISQUE DE GLISSER OU DE BASCULER.
- SI LA MACHINE S'ARRÊTE EN GRIMPANT UNE PENTE, ARRÊTEZ LES LAMES ET RECULEZ LENTEMENT.
- NE TONDEZ JAMAIS À PROXIMITÉ D'ENFANTS OU D'AUTRES SPECTATEURS.
- NE TRANSPORTÉZ JAMAIS D'ENFANTS, MÊME SI LES LAMES NE TOURNENT PAS.
- REGARDEZ DERRIÈRE VOUS ET PAR TERRE AVANT DE RECULER ET EN RECULANT.
- MAINTENEZ TOUS LES DISPOSITIFS DE SÉCURITÉ EN BON ÉTAT (DISPOSITIFS DE PROTECTION, ÉCRANS ET COMMANDES).
- ENLEVEZ LES OBJETS QUI RISQUENT D'ÊTRE PROJETÉS PAR LES LAMES.
- FAMILIARISEZ-VOUS AVEC L'EMPLACEMENT ET LA FONCTION DE TOUTES LES COMMANDES.
- VÉRIFIEZ QUE LES LAMES ET LE MOTEUR SE SONT ARRÊTÉS AVANT D'EN APPROCHER LES MAINS OU LES PIEDS.
- AVANT DE QUITTER LE POSTE DE CONDUITE, DÉBRAYEZ LES LAMES, PLACÉZ LE SÉLECTEUR DE VITESSE AU POINT MORT, SERREZ LE FREIN DE STATIONNEMENT, ARRÊTEZ LE MOTEUR ET ENLEVEZ LA CLÉ.

LISEZ LA NOTICE D'UTILISATION.

AVERTISSEMENT: N'utilisez pas le tracteur si le système de sécurité ne fonctionne pas correctement. Ce système est conçu pour votre sécurité et pour votre protection.

TRAVAIL EN MARCHÉ ARRIÈRE

La position « **Reverse Caution Mode** » (Marche arrière - Prudence) du module du commutateur d'allumage permet d'utiliser le tracteur en marche arrière quand les lames (prise de force) sont embrayées.

IMPORTANT: Tondre l'herbe en marche arrière n'est recommandé.

AVERTISSEMENT: Soyez très prudent si vous utilisez le tracteur en mode « **Reverse Caution Mode** » (Marche arrière - Prudence). Regardez toujours derrière vous et au niveau du sol avant de faire marche arrière et en reculant. N'utilisez pas le tracteur si des enfants ou autres spectateurs sont à proximité. Arrêtez immédiatement le tracteur si quelqu'un s'approche.

Pour utiliser le mode « **Reverse Caution Mode** » (Marche arrière - Prudence) :

1. Mettez le moteur en marche de la manière expliquée dans la notice d'utilisation.
2. Déplacez la clé de la position « **NORMAL MOWING** » (Verte) (Tonte normale) à la position « **REVERSE CAUTION MODE** » (Jaune) (Marche arrière - Prudence). Voir la Figure 8.
3. Appuyez sur le **BOUTON-PUSOIR DE MARCHÉ ARRIÈRE** (Bouton triangulaire orange) dans le coin supérieur droit du module d'allumage. Le témoin lumineux rouge dans le coin supérieur gauche s'allume quand la marche arrière est embrayée. Voir la Figure 8.

IMPORTANT: Le conducteur **DOIT** occuper le poste de conduite.

1. Mettez le moteur en marche de la manière expliquée dans la notice d'utilisation.

2. Déplacez la clé de la position « **NORMAL MOWING** » (Verte) (Tonte normale) à la position « **REVERSE CAUTION MODE** » (Jaune) (Marche arrière - Prudence). Voir la Figure 8.

3. Appuyez sur le **BOUTON-PUSOIR DE MARCHÉ ARRIÈRE** (Bouton triangulaire orange) dans le coin supérieur droit du module d'allumage. Le témoin lumineux rouge dans le coin supérieur gauche s'allume quand la marche arrière est embrayée. Voir la Figure 8.

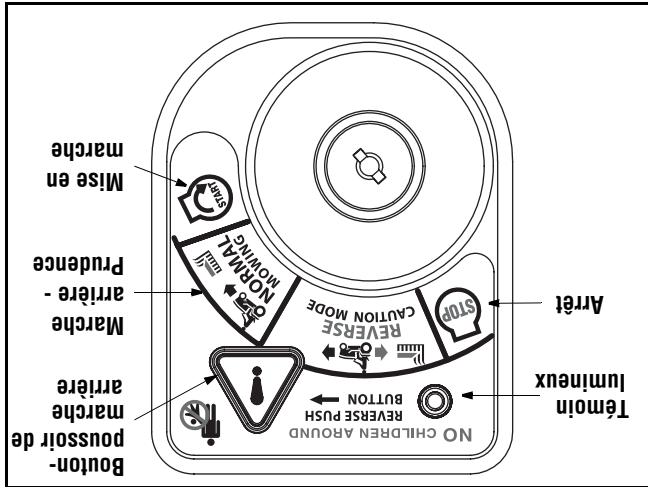


Figure 8

4. Quand le témoin lumineux est allumé, le tracteur peut être utilisé en marche arrière même si les lames sont embrayées (prise de force).
 5. Regardez toujours derrière vous et au niveau du sol avant de faire marche arrière et en reculant pour vous assurer qu'aucun enfant n'est à proximité.
 6. Remplacez la clé à la position « **Normal Mowing** » (Tonte normale) pour repartir en marche avant.
- IMPORTANT:** Le mode « **Reverse Caution Mode** » (Marche arrière) reste embrayé jusqu'à ce que:
- a. La clé soit replacée à la position « **Normal Mowing** » (Tonte normale) ou à la position « **Stop** » (Arrêt).

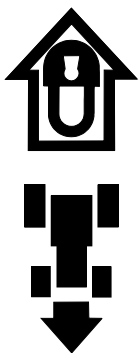
frein doit être enfoncée et le tracteur doit être immobile pour changer de vitesse. Arrêtez toujours complètement le tracteur avant de déplacer le levier de vitesse de la position AVANT-RAPIDE à AVANT-LENT ou vice-versa.

IMPORTANT: Ne forcez jamais sur le levier de vitesse car vous risquez d'endommager la transmission du tracteur.

BOUTON DU RÉGULATEUR DE VITESSE

Il est situé sur le tableau de bord du tracteur, sur la gauche du commutateur d'allumage. Enfoncez le bouton du régulateur de vitesse quand le tracteur avance à la vitesse voulue. Maintenez le bouton enfoncé et relâchez la pédale d'accélérateur. Ceci permet d'enclencher le régulateur de vitesse et de maintenir la vitesse de déplacement du tracteur sans appliquer de pression sur la pédale de conduite. Appuyez sur la pédale de frein ou sur la pédale d'accélérateur pour débrayer le régulateur de vitesse. Consultez le chapitre FONCTIONNEMENT dans cette notice d'utilisation pour obtenir plus de renseignements.

REMARQUE: Le régulateur de vitesse ne peut PAS être enclenché à la vitesse de déplacement du tracteur la plus rapide. Si le conducteur essaie de l'enclencher, le tracteur ralentit automatiquement à la vitesse de travail optimale.

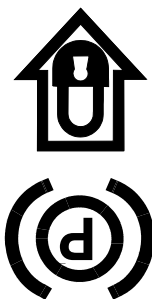


Pour ajuster la position du siège, déplacez la manette de réglage du siège (sous le siège) vers la gauche et avancez ou reculez le siège. Consultez « Réglage du siège » dans le chapitre RÉGLAGE dans cette notice d'utilisation.

RÉGLAGE DU SIÈGE

BOUTON DU FREIN DE STATIONNEMENT

Pour serrer le frein de stationnement, appuyez à fond sur la pédale de frein et enfoncez le bouton du frein de stationnement. Maintenez le bouton en retirant votre pied de la pédale. Le bouton et la pédale de frein resteront enfoncés. Pour desserrer le frein de stationnement, appuyez légèrement sur la pédale de frein. Le bouton revient alors à sa position initiale.



REMARQUE: Le frein de stationnement doit être serré quand le conducteur quitte son siège alors que le moteur tourne, sinon le moteur s'arrêtera automatiquement.

IMPORTANT: Serrez toujours le frein de stationnement si vous laissez le tracteur sans surveillance.

LEVIER DE CHANGEMENT DE VITESSE

Il se trouve sur le garde-boue, entre les jambes du conducteur. Il peut être placé à quatre positions différentes. AVANT - RAPIDE, AVANT-LENT, POINTMORT et MARCHE ARRIÈRE. La pédale de

AVERTISSEMENT: Assurez-vous de lire et de bien comprendre toutes les instructions qui figurent sur la machine et dans la notice d'utilisation avant de la mettre en marche.

COMMUTATEURS INTERNES DE SÉCURITÉ

Ce tracteur est muni d'un système de sécurité conçu pour protéger le conducteur. Si ce système est défectueux, n'utilisez pas le tracteur. Adressez-vous à une station technique agréée dans votre région.

Ce système de sécurité empêche le moteur de tourner et de démarrer si la pédale de frein n'est pas complètement enfoncée et si la manette, ou le bouton, de la prise de force (*Embrayage de la lame*) n'est pas à la position non enclenchée (OFF). Le système de sécurité arrête automatiquement le moteur si le conducteur quitte son siège avant de serrer le frein de stationnement.



CHAPITRE 6: FONCTIONNEMENT

Modèles équipés d'une prise de force manuelle (Embrayage de la lame)

- Le moteur s'arrête automatiquement quand le conducteur quitte le poste de conduite alors que la manette de la prise de force (Embrayage de la lame) se trouve à la position « ON » (Embrayée), que le frein de stationnement soit serré ou non.
- Si la clé de contact se trouve à la position « NORMAL MOWING » (Tonte normale), le moteur s'arrête automatiquement si la manette de la prise de force (Embrayage de la lame) est placée à la position « ON » (Embrayée) alors que le levier de vitesses se trouve à la position de marche arrière.

Modèles équipés d'une prise de force électrique (Embrayage de la lame)

- La prise de force électrique (Embrayage de la lame) est automatiquement débrayée si le conducteur quitte le poste de conduite alors que la manette de la prise de force se trouve à la position « ON » (Embrayée), que le frein de stationnement soit serré ou non.

tracteur. La vitesse de déplacement est aussi contrôlée par la pédale d'accélérateur. Plus on appuie sur la pédale, plus le tracteur se déplace rapidement. La pédale revient à sa position initiale quand elle n'est pas appuyée.

IMPORTANT: Serrez toujours le frein de stationnement avant de laisser le tracteur sans surveillance.

SYSTÈME DE CONTRÔLE

Diodes à cristal liquide

Le système de contrôle, qui se trouve au centre de la console du tracteur, enregistre et affiche les heures de fonctionnement du tracteur, c'est-à-dire dès que la clé de contact quitte la position « STOP » (Arrêt).

Cet indicateur sert aussi à rappeler au conducteur les intervalles entre les vidanges d'huile. Dans ce cas, l'indicateur clignote entre les heures enregistrées, « CHG » et « OIL » pendant cinq minutes chaque fois que 50 heures d'utilisation sont enregistrées. L'intervalle d'entretien dure deux heures (50 à 52 heures, 100 à 102 heures, 150 à 152 heures, etc.). L'indicateur clignote aussi de la même façon pendant cinq minutes chaque fois que le moteur du tracteur démarre pendant cette période où l'entretien est requis. Avant la fin de la période, changez l'huile du carter selon les instructions fournies dans cette notice d'utilisation.

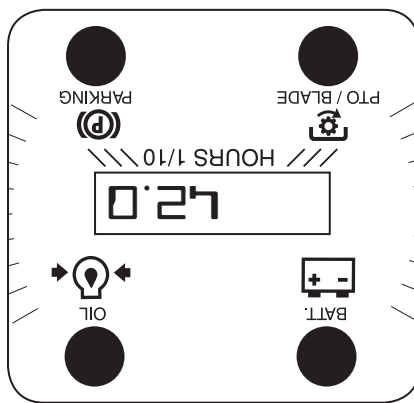


Figure 7

Si l'indicateur du frein ou la l'indicateur de la prise de force s'allume au moment du démarrage du tracteur, procédez comme suit :

FREIN — Appuyez sur la pédale de frein.

PRISE DE FORCE — Placez le bouton de la prise de force à la position non enclenchée (OFF).

Il est normal pour que l'indicateur de l'huile et de la batterie s'allume quand la clé de contact se trouve à la position ON (Marche) et quand le moteur ne tourne pas. Si l'allume quand le moteur tourne, procédez comme suit :

HUILE — Arrêtez immédiatement le tracteur et vérifiez le niveau d'huile dans le carter et ajoutez de l'huile au besoin. Consultez votre notice d'utilisation du moteur.

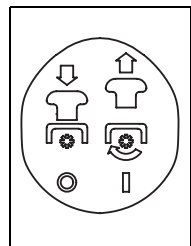
BATTERIE — Si l'indicateur s'allume quand le moteur tourne, il indique que la batterie doit être rechargée. Ou le système de charge du moteur ne produit pas un ampérage suffisant. Consultez le chapitre ENTRETIEN dans cette notice d'utilisation quant à la méthode correcte de charge de la batterie ou faites vérifier le système de charge par un concessionnaire.

L'ammètre (si équipé) enregistre la rapidité de charge de la batterie. L'aiguille de l'ammètre doit se trouver du côté (+) lorsque le moteur tourne au régime RAPIDE.

Le **compteur d'heures** (si équipé) fonctionne dès que la clé se trouve à la position MARCHÉ ou MARCHÉ/PHARES et enregistre le nombre d'heures d'utilisation du tracteur.

BOUTON DE LA PRISE DE FORCE ÉLECTRIQUE

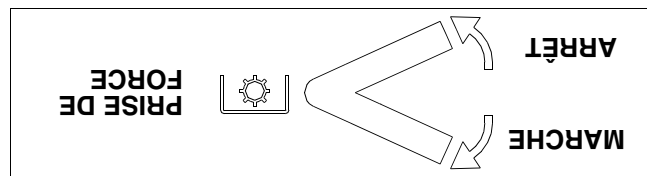
Pour enclencher la prise de force avec le plateau de coupe ou tout autre accessoire, tirez sur le bouton de la prise de force. Appuyez sur le bouton pour débrayer la prise de force aux accessoires.



REMARQUE: Le bouton de la prise de force **doit** se trouver à la position OFF (non enclenchée) lors de la mise en route du moteur.

MANETTE DE LA PRISE DE FORCE

La manette de la prise de force se trouve sur la gauche du tableau de bord, près du volant. Poussez la manette vers l'avant pour enclencher la prise de force avec le plateau de coupe ou tout autre accessoire ; tirez la manette de prise de force vers l'arrière (du tracteur) pour débrayer les accessoires.



REMARQUE: La manette de la prise de force **doit** se trouver à la position OFF (non enclenchée) lors de la mise en route du moteur.

MANETTE DE RELEVAGE DU PLATEAU

DE COUPE

Elle se trouve sur le garde-boue de droite du tracteur et sert à modifier la hauteur du plateau de coupe. Déplacez la manette vers la gauche, puis placez-la dans l'encoche correspondant à la situation.

PORTE-BOISSON

Le porte-boisson du tracteur se trouve sur le garde-boue à gauche du siège, juste derrière le frein de stationnement

MANETTE DE COMMANDE DE L'OBTURATEUR

Elle se trouve sur la droite du tableau de bord du tracteur et sert à régler le régime du moteur et, sur certains modèles, le volet de départ. L'obturateur maintient le régime du moteur selon le réglage choisi. Voir la Figure 5.

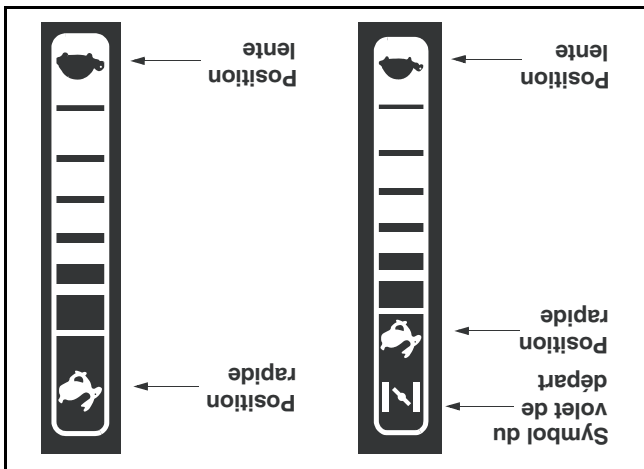
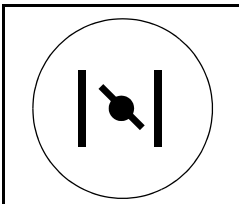


Figure 5

IMPORTANT: Assurez-vous que la manette de commande de l'obturateur se trouve à la position RAPIDE (lapin) si vous conduisez le tracteur avec un accessoire utilisant la prise de force, comme le plateau de coupe par exemple.

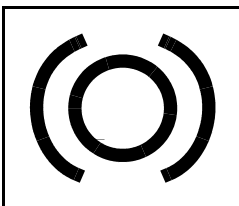
MANETTE DU VOLET DE DÉPART

Sur certains modèles, le fait de déplacer la manette de l'obturateur à fond vers l'avant enclenche la manette du volet de départ. Sur tous les autres modèles, la manette du volet de départ se trouve sur la gauche du tableau de bord et elle est actionnée en tirant sur le bouton. La manette du volet de départ ferme la plaque sur le carburateur et facilite le démarrage du moteur. Consultez la partie DÉMARRAGE DU MOTEUR dans le chapitre FONCTIONNEMENT de cette notice d'utilisation.



PÉDALE DE FREIN

Elle se trouve à l'avant droit du tracteur, au-dessus de la pédale de conduite, le long du marchepied. La pédale de frein sert en cas d'arrêt rapide ou pour serrer le frein de stationnement.



REMARQUE: La pédale de frein doit être complètement enfoncée pour actionner le système de verrouillage de sécurité à la mise en marche du tracteur.

MODULE DU COMMUTATEUR D'ALLUMAGE



AVERTISSEMENT: Ne laissez jamais une machine en marche sans surveillance. Débrayez toujours la prise de force, placez le levier de vitesses au point mort, serrez le frein de stationnement, arrêtez le moteur et retirez la clé pour empêcher tout démarrage non intentionnel.

Pour mettre le moteur en marche, enfoncez la clé dans le commutateur d'allumage et tournez-la dans le sens des aiguilles d'une montre jusqu'à la position « **START** » (Mise en marche). Laissez la clé revenir à la position « **NORMAL MOWING MODE** » (Tonte normale) quand le moteur tourne normalement. Pour arrêter le moteur, tournez la clé dans le sens contraire aux aiguilles d'une montre, jusqu'à la position « **STOP** » (Arrêt). Voir la Figure 6.

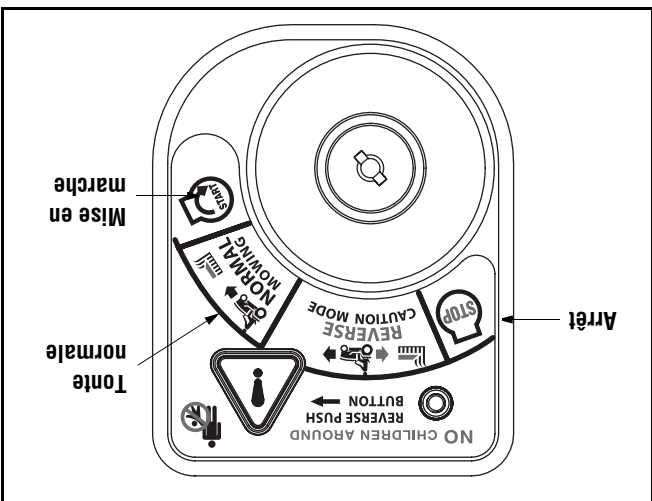
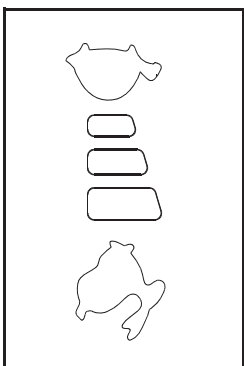


Figure 6

IMPORTANT: Avant d'utiliser le tracteur, lisez les instructions plus détaillées concernant les « **Commutateurs de sécurité** » à la page 14 et le « **Mise en marche du moteur** » à la page 16. Ces instructions expliquent le module du commutateur d'allumage et l'utilisation du tracteur au mode « **Reverse – Caution Mode** » (Marche arrière – Prudence).

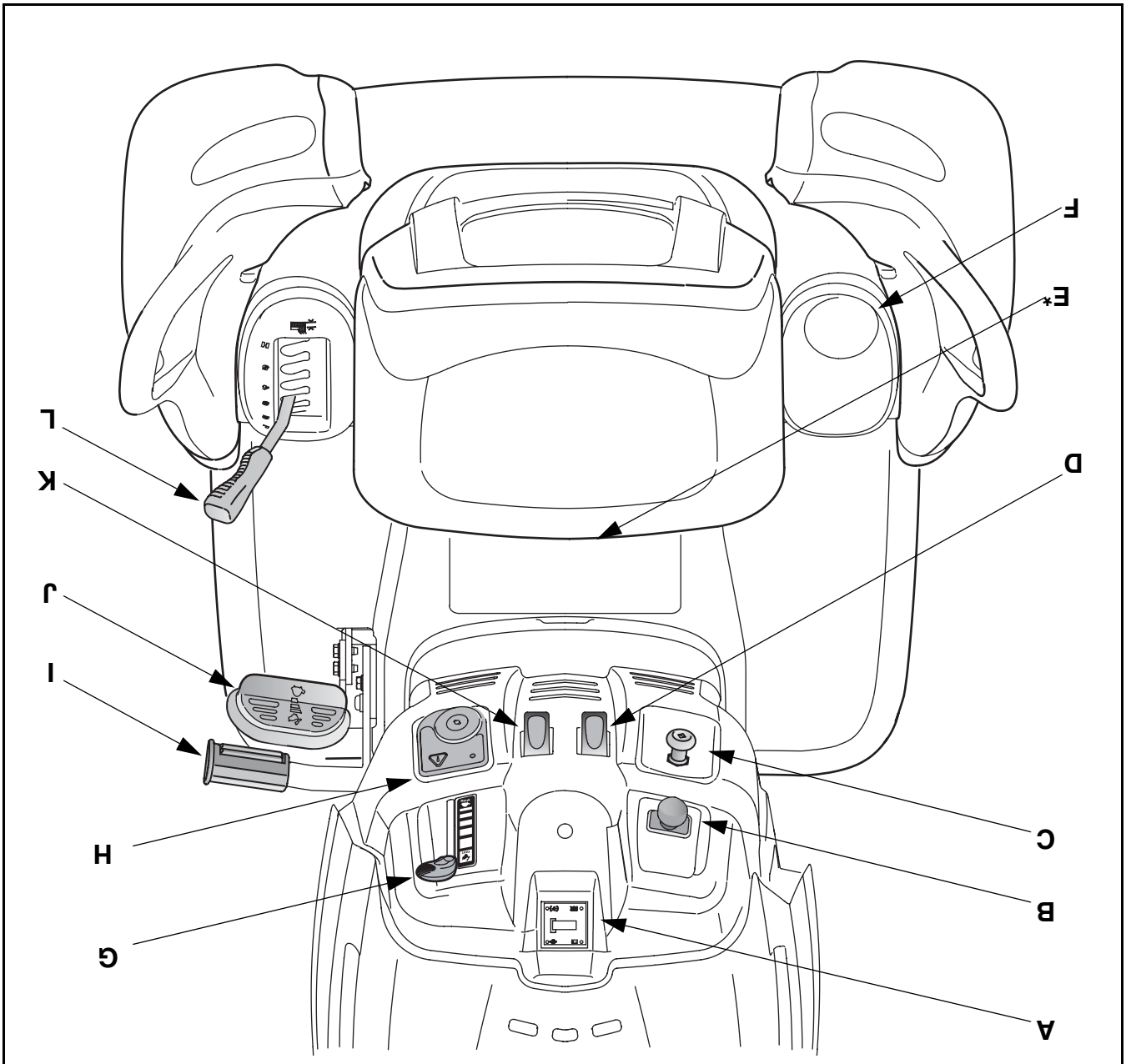
PÉDALE D'ACCELÉRATEUR

Elle se trouve juste en dessous de la pédale de frein, à l'avant droit du tracteur, le long du marchepied. Appuyez sur la pédale d'accélérateur du pied droit quand le sélecteur de vitesses du tracteur se trouve à la position « Marche avant » ou « Marche arrière » pour faire déplacer le



REMARQUE : Toute référence à la DROITE ou à la GAUCHE s'entend à partir de la position de conduite.
* Il se trouve sur le garde-roue. Entre les jambes du conducteur.

- | | | | |
|----------|--|----------|----------------------------------|
| A | Indicateur de contrôle/Compteur d'heures | F | Porte-boisson |
| B | Manette de la prise de force | E | Levier de vitesses* |
| C | Manette du volet de départ | D | Bouton de frein de stationnement |
| G | Manette de commande de l'obturateur | J | Pédale d'accélérateur |
| H | Module du commutateur d'allumage | I | Pédale de frein |
| K | Bouton du régulateur de vitesse | L | Manette de relevage |



CHAPITRE 5: COMMANDES

- Choisissez la position du siège et maintenez-le en place avec les deux boutons retirées plus tôt. Voir la Figure 4.

PLEINS D'HUILE ET D'ESSENCE

Le réservoir d'essence est placé sous le capot et a une capacité de deux ou trois gallons. Ne remplissez pas au-dessus du niveau.



AVERTISSEMENT: Faites très attention en manipulant de l'essence. Il s'agit d'un produit hautement inflammable et les vapeurs peuvent s'exploser. Ne faites jamais le plein à l'intérieur, quand le moteur est chaud ou pendant qu'il tourne. Éteignez les cigaretttes, cigares, pipes ou autres sources de chaleur.

Faites les pleins d'huile et d'essence selon les instructions fournies dans la notice d'utilisation du moteur qui accompagne le tracteur. Lisez attentivement les instructions.

IMPORTANT: Le tracteur est expédié avec une petite quantité d'huile. Il est **toujours** recommandé de vérifier le niveau d'huile avant de le mettre en marche. Faites attention de ne pas déborder en faisant le plein, ce qui risque de dégrader des fumées. Le moteur ne fonctionnerait pas de façon performante et risquerait d'être endommagé.



AVERTISSEMENT: Le plateau de coupe peut lancer des projectiles. Son utilisation sans une goulotte d'éjection correctement installée peut causer des blessures corporelles graves et/ou causer des dégâts à proximité du tracteur.

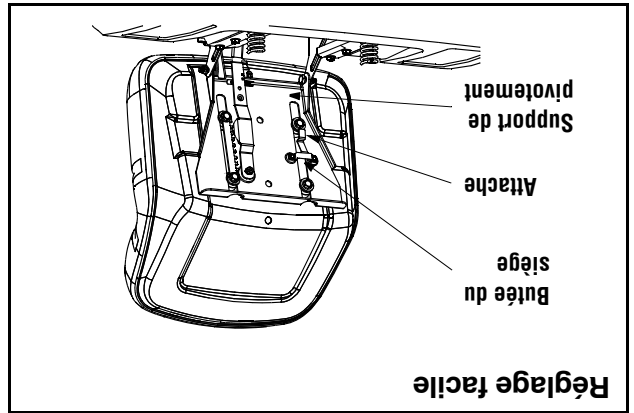
PRESSION DE PNEU



AVERTISSEMENT: Une pression maximale de 30 lb/po² est toujours recommandée. Maintenez toujours une pression égale dans tous les pneus.

Les pneus sur votre tracteur peuvent être distendés pour l'expédition. Réduisez la pression de pneu avant de mettre le tracteur en marche. La pression de travail recommandée est de 10 lb/po² environ pour les pneus arrière et de 14 lb/po² pour les pneus avant. La pression recommandée par le fabricant est indiquée sur le flanc des pneus.

- ### Réglage facile du siège
- REMARQUE:** Si le siège était installé à l'envers sur l'attache qui se trouve sur la butée du siège et maintenez-la ouverte pendant que vous dégagez le siège du support de pivotement. Voir la Figure 3.



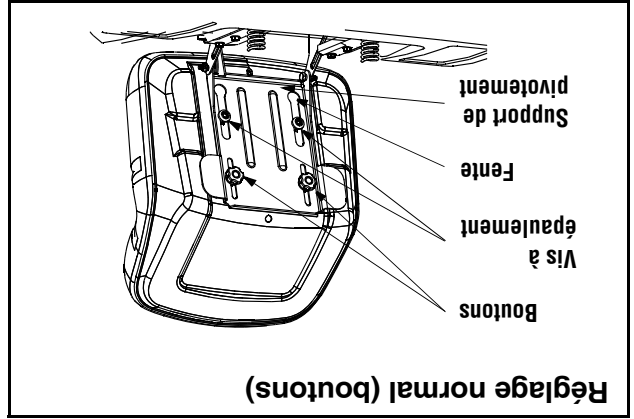
- Alignez les rondelles d'espacement en plastique avec les fentes du support de pivotement du siège.
- Glissez le siège jusqu'à ce que la rondelle d'espacement avant du siège s'imbrique dans le butée. Voir la Figure 3.



AVERTISSEMENT: Avant d'utiliser cette machine, assurez-vous que le siège est bien emboîté dans la butée. Tenez-vous derrière la machine et tirez sur le siège jusqu'à ce qu'il s'imbrique complètement dans la butée.

Réglage normal du siège (boutons)

- Placez les vis à épaulement (qui se trouvent sur la base du siège) dans les fentes du support du pivotement du siège. Voir la Figure 4.



- Faites glisser le siège vers l'arrière dans le support de pivotement et alignez les fentes arrière du

CHAPITRE 4: MONTAGE DU TRACTEUR

REMARQUE: Les côtés droit et gauche s'entendent du siège du conducteur qui fait face à l'avant.

INSTALLATION DES CÂBLES DE LA

BATTERIE.

REMARQUE: Les câbles de la batterie peuvent ou ne peuvent être attachés sur votre tracteur. Si les câbles ne sont pas attachés, suivez les instructions ci-dessous.

REMARQUE: La borne positive de la batterie est identifiée par Pos. (+) et la borne négative par Neg. (-).

- Le câble positif (épais fil rouge) est attaché à la borne positive (+) par un boulon hex. et un écrou à six pans posés à l'usine. Vérifiez que la gaine en caoutchouc protège bien la borne contre la corrosion.
- Enlevez le boulon hex. et l'écrou à oreilles du câble négatif.
- Enlevez le couvercle en plastique noir, le cas échéant, de la borne négative et attachez le câble négatif (épais fil noir) sur la borne négative de la batterie (-) avec le boulon et l'écrou à oreilles.
- Assurez-vous la barre de maintien est sur la batterie. Voir la Figure 1.

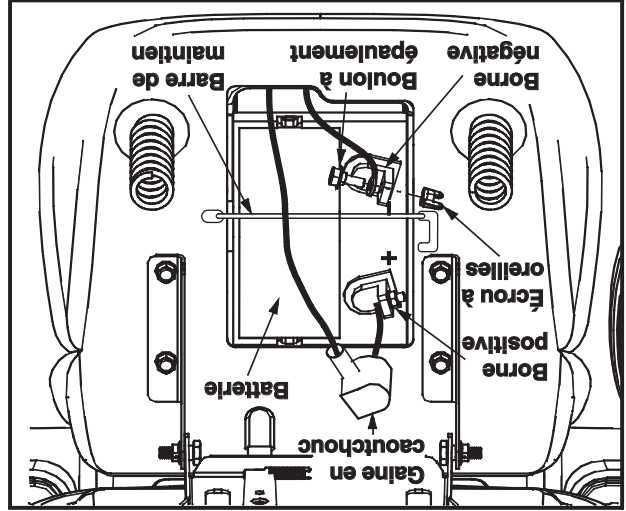


Figure 1

REMARQUE: Si la batterie est mise en service après la date indiquée sur le dessus de la batterie, chargez-la selon les instructions à la page 24 de cette notice d'utilisation avant de mettre en marche le tracteur.

INSTALLATION DU VOLANT

Si le volant et le siège de votre tracteur n'ont pas été installés, pour l'expédition, installez comme suit.

AVERTISSEMENT: N'utilisez pas le tracteur avant d'installer le volant et le siège. Sinon, le conducteur risque des blessures graves.



REMARQUE: Il y a deux styles de capuchon de volant. Voir la Figure 2. Les styles varient par le modèle.

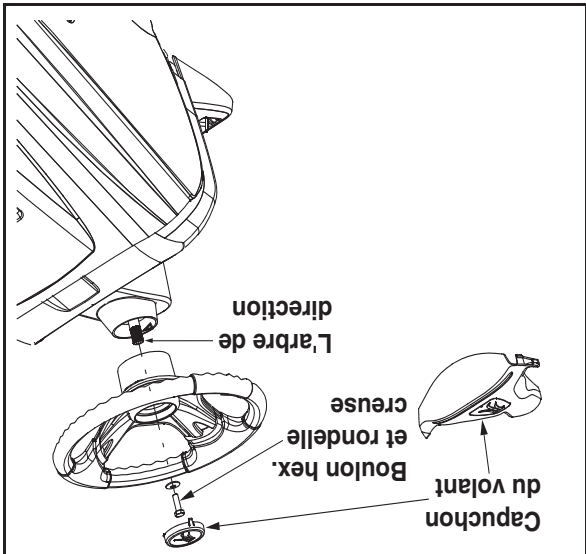


Figure 2

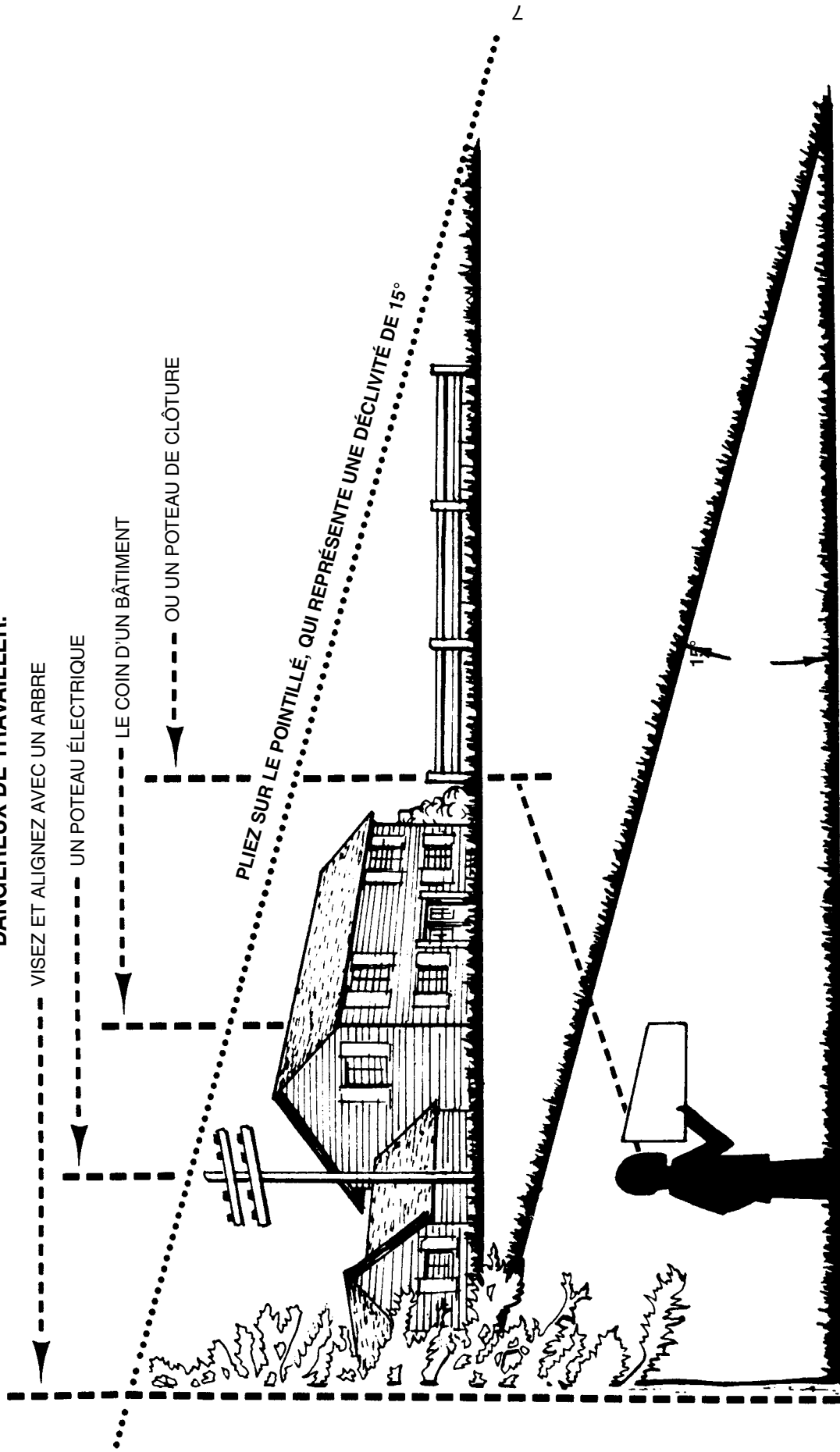
- Avec vos mains, redressez les roues à l'avant du tracteur pour que les roues soient bien droites.
- Soulevez doucement le capuchon du centre du volant et sortez la boulonnerie. Prenez soin de ne pas perdre le boulon hex. ou la rondelle creuse qui se trouvent dessous le capuchon.
- Placez le volant sur l'arbre de direction au centre du tableau de bord, à la propre position (pour une course droite).
- Placez la rondelle creuse, le côté creux vers le dessous, par-dessus l'arbre de direction.
- Maintenez la rondelle en place et vissez le boulon hex. dans l'arbre de direction. Serrez bien le boulon.
- Positionnez le capuchon du volant au milieu du volant et appuyez à la main. Voir la Figure 2.

INSTALLATION DU SIÈGE

Référez-vous à la Figure 3 et la Figure 4, identifier le style de siège de votre tracteur et suivre les instructions applicables.

REMARQUE: À des fins d'expédition, les sièges sont soit attachés sur le support de pivotement du siège avec un fil en plastique, ou soit installés à l'envers sur l'autre, retirez le siège et enlevez les deux vis hex. (ou boutons le cas échéant) du dessous du siège avant de l'installer comme suit.

SERVEZ-VOUS DE CET INCLINOMÈTRE POUR DÉTERMINER LES PENTES SUR LESQUELLES IL SERAIT DANGEREUX DE TRAVAILLER.



CHAPITRE 3 : INCLINOMÈTRE



Ne vous servez pas de le tracteur sur des pentes supérieures à 15° (soit une déclivité de 2-1/2 pi par 10 pi). Un tracteur à siège risque en effet de se retourner et son conducteur peut être gravement blessé. Il est également difficile de conserver un bon appui en marchant derrière un tracteur. Vous risquez de glisser et de vous blesser. Utilisez les tracteurs À SIÈGE parallèlement à la pente, jamais en travers.

- machine et s'en servir sous la surveillance étroite d'un adulte.
- ### REMOQUAGE
1. Ne remorquez qu'avec une machine équipée d'un attelage de remorquage. N'accrochez pas l'équipement remorqué ailleurs qu'au point d'attelage.
 2. Respectez les recommandations du fabricant quant aux limites de poids de l'équipement remorqué et au remorquage sur pente.
 3. Ne transportez jamais quiconque sur l'équipement remorqué.
 4. Le poids de l'équipement remorqué peut entraîner la perte de traction et par conséquent de contrôle du tracteur sur des pentes.
 5. Avancez lentement et prévoyez une distance supplémentaire pour vous arrêter.
 6. Ne passez pas au point mort pour descendre une pente.
- ### ENTRETIEN
- Il s'agit d'un produit extrêmement inflammable et les vapeurs risquent d'exploser. Vous pouvez être grièvement blessé si des étincelles sur votre peau ou sur vos vêtements s'enflamment. Rincez votre peau et changez immédiatement de vêtements.
- a. Remisez le carburant dans des bidons homologués seulement.
 - b. Ne faites jamais le plein dans un véhicule, ni à l'arrière d'une camionnette dont le plancher est recouvert d'un revêtement en plastique. Placez toujours les bidons par terre et loin de votre véhicule avant de les remplir.
 - c. Dans la mesure du possible, déchargez l'équipement motorisé de la remorque et faites le plein par terre. Si cela n'est pas possible, faites le plein avec un bidon plutôt que directement de la pompe à essence.
 - d. Maintenez le gicleur en contact avec le bord du réservoir d'essence ou avec l'ouverture du bidon jusqu'à ce que le plein soit terminé. N'utilisez pas un gicleur équipé d'un dispositif de blocage en position ouverte.
 - e. Éteignez toute cigarette ou pipe, tout cigare ou toute autre chaire incandescente.
 - f. Ne faites jamais le plein à l'intérieur.
 - g. N'enlevez jamais le capuchon d'essence et n'ajoutez pas d'essence pendant que le moteur tourne ou s'il est chaud. Laissez le moteur refroidir pendant au moins deux minutes avant de faire le plein.
 - h. Ne faites jamais déborder le réservoir.

1. Pour éviter toute blessure ou dégat matériel :

1. Un accident grave risque de se produire si le conducteur n'est pas toujours très vigilant en présence d'enfants. Les enfants sont souvent attirés par une machine et la tonte de l'herbe. Ils ne se rendent pas compte des dangers. Ne supposez jamais qu'ils vont rester là où vous les avez vus.
2. Ne remorquez pas des accessoires lourds (remorque chargée, rouleur, etc.) sur des pentes supérieures à 5°. Le poids supplémentaire a tendance à pousser le tracteur et peut causer la perte de contrôle du tracteur (le tracteur peut accélérer, le freinage et la direction peuvent être limités, l'accessoire peut se mettre en crabe et le tracteur peut se renverser).
3. Ne transportez jamais d'enfants, même si les lames ne tournent pas. Ils risquent de tomber et d'être grièvement blessés ou de gêner le fonctionnement sécuritaire de la machine.
4. Éloignez les enfants de la zone de travail et placez-les sous la surveillance d'un adulte autre que le conducteur de la machine.
5. Restez vigilant et arrêtez la machine si des enfants s'approchent de la zone de travail.
6. Regardez toujours derrière vous et par terre avant de reculer et en reculant.
7. Ne transportez jamais d'enfants, même si les lames ne tournent pas. Ils risquent de tomber et d'être grièvement blessés ou de gêner le fonctionnement sécuritaire de la machine.
8. Faites très attention en vous approchant d'angles morts, de buissons, de portails, de buissons, d'arbres et d'autres objets qui peuvent vous empêcher de voir un enfant.
9. Pour éliminer tout risque d'accident en marche arrière, débrayez toujours la ou les lames avant d'enclencher la marche arrière. N'utilisez pas la mode «Reverse Caution Mode» (Marche arrière - Prudence) si des enfants ou autres personnes se trouvent à proximité.
10. Ne laissez pas des enfants s'approcher d'un moteur chaud ou en marche. Ils risquent de se brûler.
11. Retirez la clé de contact quand la machine n'est pas surveillée pour empêcher son utilisation non autorisée.
12. Ne permettez jamais à des enfants de moins de 14 ans d'utiliser la machine. Des enfants plus âgés doivent lire et comprendre le mode d'emploi de la machine et les consignes de sécurité. Ils doivent apprendre à utiliser la

UTILISATION SUR UNE PENTE

Les accidents provoqués par la perte de contrôle ou le renversement de la machine, qui peuvent causer des blessures graves ou mortelles, se produisent souvent sur des pentes. Travailler sur un terrain en pente demande des précautions supplémentaires. Si vous ne pouvez pas reculer sur la pente ou si vous ne vous sentez pas à l'aise sur la pente, n'y travaillez pas.

Par mesure de sécurité, utilisez l'inclinomètre fourni dans la notice d'utilisation pour mesurer la pente du terrain avant de commencer à travailler. Si, selon l'inclinomètre, la pente est supérieure à 15°, n'utilisez pas le tracteur pour éviter toute blessure grave.

À FAIRE :

1. Travaillez parallèlement à la pente, jamais perpendiculairement. Faites très attention en changeant de direction sur une pente.
2. Faites attention aux trous et ornières. La machine peut se retourner sur un terrain accidenté. Des herbes hautes peuvent cacher des obstacles.

3. Travaillez lentement. Utilisez une vitesse suffisamment lente pour ne pas avoir à vous arrêter ni à changer de vitesse sur la pente. Les pneus risquent de manquer de traction sur une pente, même si les freins fonctionnent correctement. Soyez toujours en vitesse en descendant une pente pour bénéficier du frein moteur.
4. Suivez les recommandations du fabricant quant aux poids des roues ou contre-poids à utiliser pour améliorer la stabilité.
5. Faites très attention en utilisant les sacs à herbe ou autres accessoires. Ils peuvent modifier la stabilité de la machine.
6. Déplacez-vous lentement et régulièrement sur les pentes. Ne changez pas brusquement de direction ou un coup de frein brusque peut soulever l'avant de la machine et la faire se retourner et causer des blessures graves.
7. Évitez de démarrer ou de vous arrêter sur une pente. Si les pneus n'adhèrent pas bien, débrazez les lames et descendez lentement la pente en ligne droite.

À NE PAS FAIRE :

1. Ne tournez pas sur une pente à moins que cela soit nécessaire; tournez alors lentement et progressivement en descendant si possible.
2. Ne tondez pas près d'une falaise ou d'un talus. Une roue dans le vide ou l'affaïssement soudain de l'accotement peut renverser la machine.
3. N'essayez pas de stabiliser la machine en mettant pied à terre.
4. N'utilisez pas le sac à herbe sur des pentes raides.

stationnement, arrêtez le moteur et attendez que le sac à herbe ou de déboucher la goulotte, d'enlever de l'herbe ou des débris ou de faire un réglage quelconque.

21. Ne laissez jamais une machine en marche non surveillée. Débrazez toujours les lames, mettez le levier de vitesses au point mort, serrez le frein de stationnement, arrêtez le moteur et enlevez la clé avant de quitter la machine.
22. Faites très attention en chargeant ou en déchargeant la machine d'une remorque ou d'un camion. Ne conduisez pas la machine sur un plan incliné pour la charger dans une remorque car elle peut basculer et causer des blessures graves. Poussez la machine à la main pour la charger ou la décharger.
23. Le silencieux et le moteur ont tendance à chauffer et risquent de causer des brûlures. Ne les touchez pas.
24. Vérifiez le dégagement vertical avant de passer sous des branches basses, des fils électriques, un portail ou dans toute autre situation où le conducteur risque d'être frappé et projeté de la machine et de se blesser grièvement.
25. Débrazez tous les embrayages des accessoires, appuyez à fond sur la pédale de frein et passez au point mort avant d'essayer de mettre le moteur en marche.
26. Ce tracteur a été conçu pour tondre un gazon résidentiel normal ne mesurant pas plus de 10 po de haut. N'essayez pas de tondre de l'herbe très haute, de l'herbe sèche (dans un pré par exemple) ou une pile de feuilles sèches. Les débris peuvent s'accumuler sous le plateau de coupe ou entrer en contact avec le tuyau d'échappement du moteur, d'où un risque d'incendie.

27. N'utilisez que des accessoires et équipement annexe homologués par le fabricant de la machine. Veuillez lire, bien comprendre et suivre toutes les instructions qui accompagnent l'accessoire ou l'équipement annexe.
28. Les statistiques disponibles révèlent que les conducteurs de plus de 60 ans sont impliqués dans un grand nombre d'accidents mettant en cause des tracteurs de jardin. Nous recommandons par conséquent à ces conducteurs d'évaluer sérieusement leur aptitude à utiliser ce genre d'équipement en toute sécurité.
29. Faites toujours preuve de bon sens dans des situations qui n'ont pas été abordées dans cette notice d'utilisation. Adressez-vous au concessionnaire agréé en cas de besoin.

CHAPITRE 1 : IMPORTANT CONSIGNES DE SÉCURITÉ

AVERTISSEMENT: Ce symbole attire votre attention sur des consignes de sécurité importantes qui, si elles ne sont pas respectées, peuvent mettre en danger non seulement votre personne et vos biens, mais aussi ceux d'autrui. Prière de lire toutes les instructions figurant dans cette notice d'utilisation avant d'essayer de vous servir de cette machine. Le non-respect de ces instructions peut entraîner des blessures corporelles. Respectez l'avertissement qui accompagne ce symbole.




DANGER: Cette machine doit être utilisée conformément aux consignes de sécurité qui figurent dans la notice d'utilisation. Comme avec tout appareil motorisé, une négligence ou une erreur de la part de l'utilisateur peut entraîner des blessures graves. Cette machine peut amputer mains et pieds et projeter des débris. Par conséquent, le non-respect de ces consignes peut causer des blessures corporelles graves et même mortelles.




UTILISATION EN GÉNÉRAL

1. Assurez-vous de lire et de bien comprendre toutes les instructions qui figurent sur la machine et dans la notice d'utilisation avant de l'assembler et de la mettre en marche. Conservez cette notice d'utilisation à un endroit sûr pour toute consultation ultérieure et pour commander des pièces de rechange.
2. Familiarisez-vous avec les commandes et leur fonctionnement avant de vous en servir. Sachez comment arrêter la machine et débrayer les commandes rapidement.
3. Ne permettez jamais à des enfants de moins de 14 ans de se servir de la machine. Des enfants plus âgés doivent lire et comprendre le mode d'emploi de la machine et les consignes de sécurité. Un adulte doit leur apprendre à se servir de cette machine et les surveiller.
4. Seuls des adultes responsables connaissant bien le fonctionnement de la machine doivent être autorisés à s'en servir.
5. Gardez les spectateurs, les animaux de compagnie et les enfants à une distance d'au moins 75 pieds de la machine quand elle est en marche. Arrêtez la machine si quelqu'un s'approche.
6. Examinez soigneusement la zone de travail. Ramassez tous les pierres, bâtons, fils métalliques, os, jouets et autres objets qui risquent d'être projetés par les lames. Les objets projetés par la machine peuvent causer des blessures graves.
7. Prévoyez de travailler en évitant de projeter l'herbe vers des rues, des trottoirs, des spectateurs, etc. Évitez d'éjecter l'herbe en direction d'un mur ou d'un obstacle. De cette façon, les débris éventuels ne risquent pas de ricocher et de blesser quelqu'un.
8. Portez toujours des lunettes de sécurité en utilisant la machine ou en effectuant un réglage ou une réparation. Les objets risquent de
9. Portez des chaussures robustes à semelle épaisse et des vêtements bien ajustés. Ne portez jamais des vêtements lâches ni des bijoux qui risquent de se prendre dans les pièces en mouvement. N'utilisez jamais la machine pieds nus ou en portant des sandales.
10. Vérifiez la direction de la goulotte d'éjection du tracteur et ne l'orientez jamais vers des personnes. N'utilisez jamais le tracteur si le sac à herbe ou le dispositif de protection n'est pas installé.
11. Ne placez jamais vos mains ou vos pieds près d'une pièce en mouvement ou sous le plateau de coupe. Les lames peuvent amputer mains et pieds.
12. L'absence du clapet de la goulotte d'éjection ou un clapet endommagé peut causer des blessures en cas de contact avec les lames ou projeter des objets.
13. Arrêtez les lames avant de traverser une allée recouverte de gravier, un trottoir ou une route et quand vous ne tondez pas.
14. Faites attention à la circulation à proximité d'une route. Cette machine ne doit pas être utilisée sur un chemin public.
15. Ne vous servez pas de la machine après avoir bu des boissons alcoolisées ou pris de médicaments.
16. Travaillez en plein jour ou avec un éclairage artificiel satisfaisant.
17. Ne transportez JAMAIS de passagers.
18. Débrayez les lames avant de passer en marche arrière. Reculez lentement. Regardez toujours derrière vous avant de reculer et en reculant.
19. Ralentissez avant de tourner. Conduisez sans à-coups. Évitez une conduite saccadée et n'allez pas trop vite.
20. Débrayez les lames, serrez le frein de


Pour toute question concernant votre tracteur, composez le 1-888-384-9942 (États-Unis) ou 1-888-848-4073 (Canada).




Vous trouverez de nombreuses suggestions utiles sur le site www.toro.com. Cliquez sur "Customer Care" dans la section "Homeowners" du Coin des solutions de Toro pour bénéficier d'une aide immédiate.




Coin des solutions de Toro



Homeowner | Golf Course Management | Professional Contractor | Sports Fields & Grounds | Irrigation Solutions

Count on it.  Recherche sur le site

Toro propose une variété d'options en ligne à ses clients propriétaires d'un produit Toro ou aux clients potentiels. Consultez la liste d'options ci-dessous proposées à notre clientèle.




Si l'assemblage de cette machine vous pose des problèmes ou pour toute question concernant les commandes, le fonctionnement ou l'entretien de la machine, vous pouvez chercher l'aide des experts. Choisissez des options ci-dessous:

Veillez retourner la machine au détaillant qui vous l'a vendue, sans vous adresser d'abord au service après-vente.

SERVICE APRÈS-VENTE

MODEL NUMBER SERIAL NUMBER DOM



THE TORO COMPANY
 8111 LYNDALE AVE. SOUTH
 BLOOMINGTON, MINNESOTA 55420-1196
 TOLL FREE PHONE NUMBER: 1-888-384-9942 USA
 TOLL FREE PHONE NUMBER: 1-888-848-4073 Canada

Recopiez ici le numéro de série: _____

Recopiez ici le numéro de modèle: _____

Cette notice d'utilisation est une pièce importante de votre nouveau tracteur de jardin. Elle vous fournit les renseignements nécessaires à l'assemblage, à la préparation et à l'entretien de votre machine. Veillez donc lire attentivement et vous assurer de bien comprendre toutes les instructions.

Avant d'utiliser la tracteur de jardin pour la première fois, veuillez localiser sa plaque signalétique et recopier les renseignements qui s'y trouvent dans la notice d'utilisation. Un modèle de plaque signalétique est reproduit ce-dessous. La plaque signalétique se trouve sous le siège. Cette information sera nécessaire pour utiliser le site Web du fabricant et/ou pour obtenir l'aide d'une station technique agréée de Toro.



POUR TROUVER LE NUMÉRO DE MODÈLE

Chapitre	Important consignes de sécurité	Page	Chapitre	Entretien	Page
Étiquette de sécurité	3	3	Entretien	20	20
Inclinomètre	6	6	Lubrification	22	22
Montage du tracteur	7	7	Service	22	22
Commandes	8	8	Remisage hors saison	26	26
Fonctionnement	10	10	Tableau d'entretien	27	27
Régulages	13	13	Guide de dépannage	28	28
			Caractéristiques techniques	29	29
			Garantie	30	30

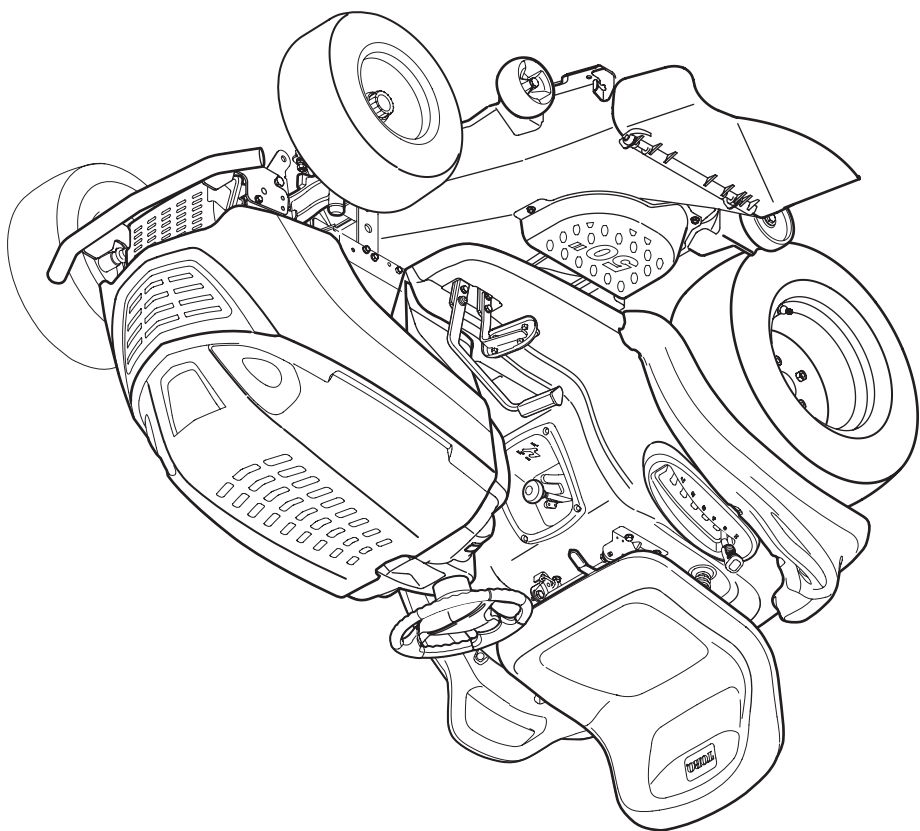
TABLE DES MATIÈRES

Comptez dessus.



Notice d'utilisation

Enregistrez votre produit ici www.Toro.com



Modèle No. 14AP80RP544

GT2100 Tracteur de jardin

772C0847
(01/2006)

Free Manuals Download Website

<http://myh66.com>

<http://usermanuals.us>

<http://www.somanuals.com>

<http://www.4manuals.cc>

<http://www.manual-lib.com>

<http://www.404manual.com>

<http://www.luxmanual.com>

<http://aubethermostatmanual.com>

Golf course search by state

<http://golfingnear.com>

Email search by domain

<http://emailbydomain.com>

Auto manuals search

<http://auto.somanuals.com>

TV manuals search

<http://tv.somanuals.com>