



Super Recycler[®] Lawn Mower

Model No. 20055 - 270000001 and up.

Parts Catalog

Ordering Replacement Parts

To order replacement parts, please supply the part number, the quantity, and the description of each part desired.

Understanding Reference Numbers

Each identified part in an illustration has a reference number. The reference number for a part also appears in the parts list, along with other information about the part.

This catalog uses two special reference number formats, one to indicate parts in a service assembly and another to indicate the quantity of a given part in an illustration.

Service Assembly Reference Numbers

Parts in service assemblies have reference numbers in the form a:b. The a represents the reference number of the entire service assembly and the b represents a sequential number unique to each part within the service assembly.

For example, a wheel assembly might be identified by reference number 6, the tire by 6:1, the valve by 6:2, and the wheel by 6:3. When you order the assembly identified by reference number 6, you receive all parts identified by reference numbers 6:1, 6:2, and 6:3. However, you may also order any part individually. Reference numbers of this type appear in illustrations and in part lists.

Reference Numbers Indicating Quantity

In an illustration, if a reference number indicates more than one part, the reference number has the form nX y. The n represents the quantity of the part, the X is the multiplication symbol, and the y represents the reference number.

For example, in an illustration, the reference number 2X 37 means that two of the parts identified by reference number 37 are indicated.

© The Toro Company - 2006
All Rights Reserved

Register your product at www.Toro.com

Contents

Description	Page	Description	Page
Housing Assembly 3	Carburetor Assembly Briggs and Stratton 126T02-0206-E1 14
Housing Assembly No. 112-8862 4	Air Cleaner Assembly Briggs and Stratton 126T02-0206-E1 15
Height-of-Cut Assembly 5	Governor Assembly Briggs and Stratton 126T02-0206-E1 16
Transmission Assembly 6	Muffler and Fuel Tank Assembly Briggs and Stratton 126T02-0206-E1 17
Gear Case Assembly No. 108-8140 7	Blower Housing Assembly Briggs and Stratton 126T02-0206-E1 18
Engine Assembly 8	Starter Assembly Briggs and Stratton 126T02- 0206-E1 19
Handle Assembly 9	Gasket Kit Briggs and Stratton 126T02-0206- E1 20
Grass Bag Assembly 10	Carburetor Overhaul Kit Briggs and Stratton 126T02-0206-E1 21
Cylinder Assembly Briggs and Stratton 126T02-0206-E1 11	Attachments and Accessories List 22
Crankshaft Assembly Briggs and Stratton 126T02-0206-E1 12		
Crankcase Assembly Briggs and Stratton 126T02-0206-E1 13		

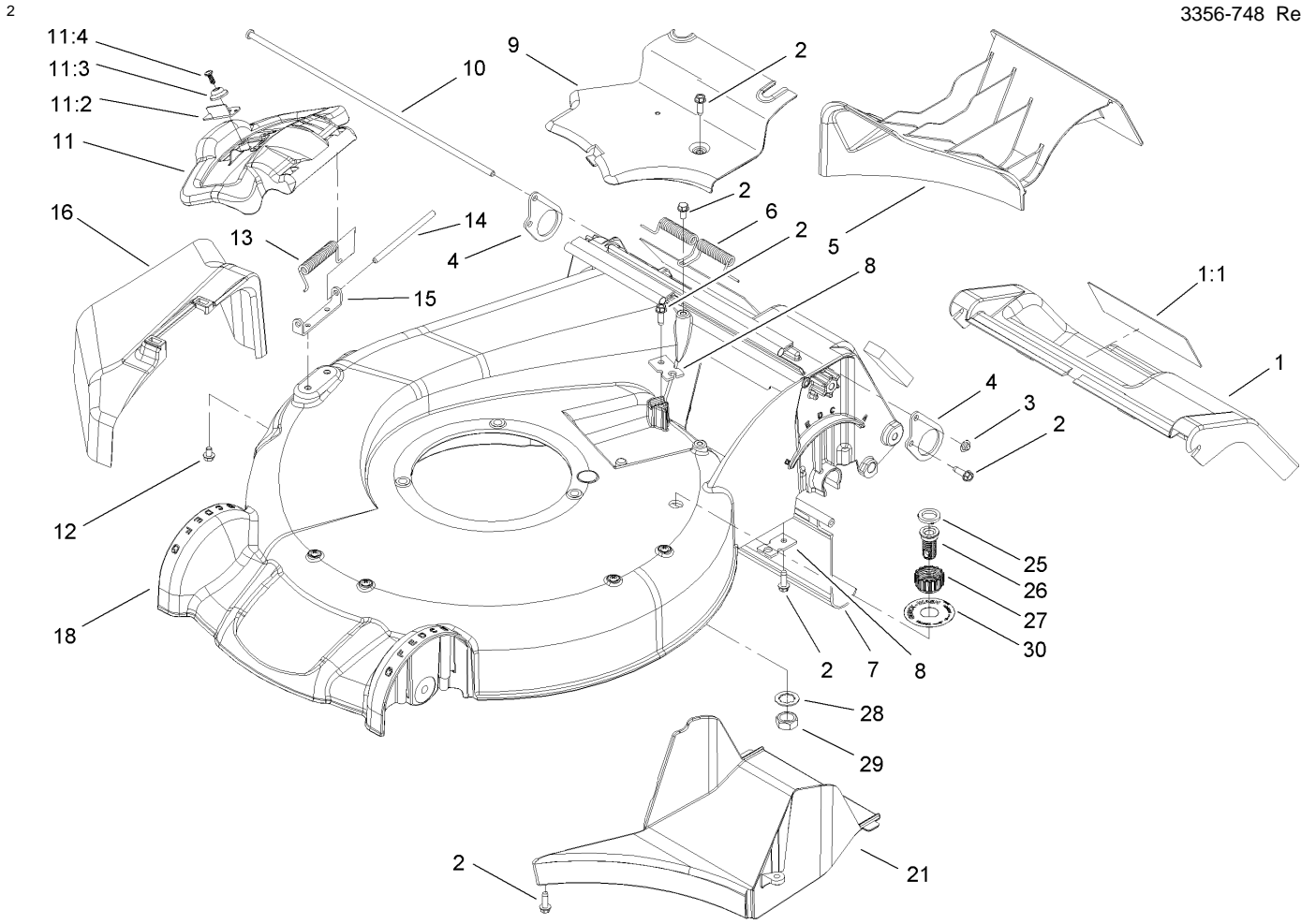
Part Description Abbreviations

Part descriptions in this catalog may include the following abbreviations.

AR. as required	HYD. hydraulic
ASM. assembly	LH. left hand
BBC. blade brake clutch	NI. nylon insert
CARR. carriage	NPTF. national pipe thread fine
DEG. degrees	PFH. phillips flat head
EXT. external	PPH. phillips pan head
FH. flat head	PPHTF. phillips pan head thread forming
GA. gauge	PRH. phillips round head
HD. heavy-duty	PTH. phillips truss head
HF. hex flange	PTO. power-take-off
HH. hex head	RH. right hand
HHF. hex head flange	ROPS. roll-over protection system
HHFTF. hex head flange thread forming	SFH. slotted fillister head
HJ. hex jam	SHH. slotted hex head
HLH. hex lag head	SHWH. slotted hex washer head
HOC. height-of-cut	SPH. slotted pan head
HSBH. hex socket button head	SQH. square head
HSFH. hex socket flat head	SRH. slotted round head
HSH. hex socket head	STD. standard
HWH. hex washer head	TAP. self tapping
HWHTF. hex washer head thread forming	TTH. torx truss head

Footnotes

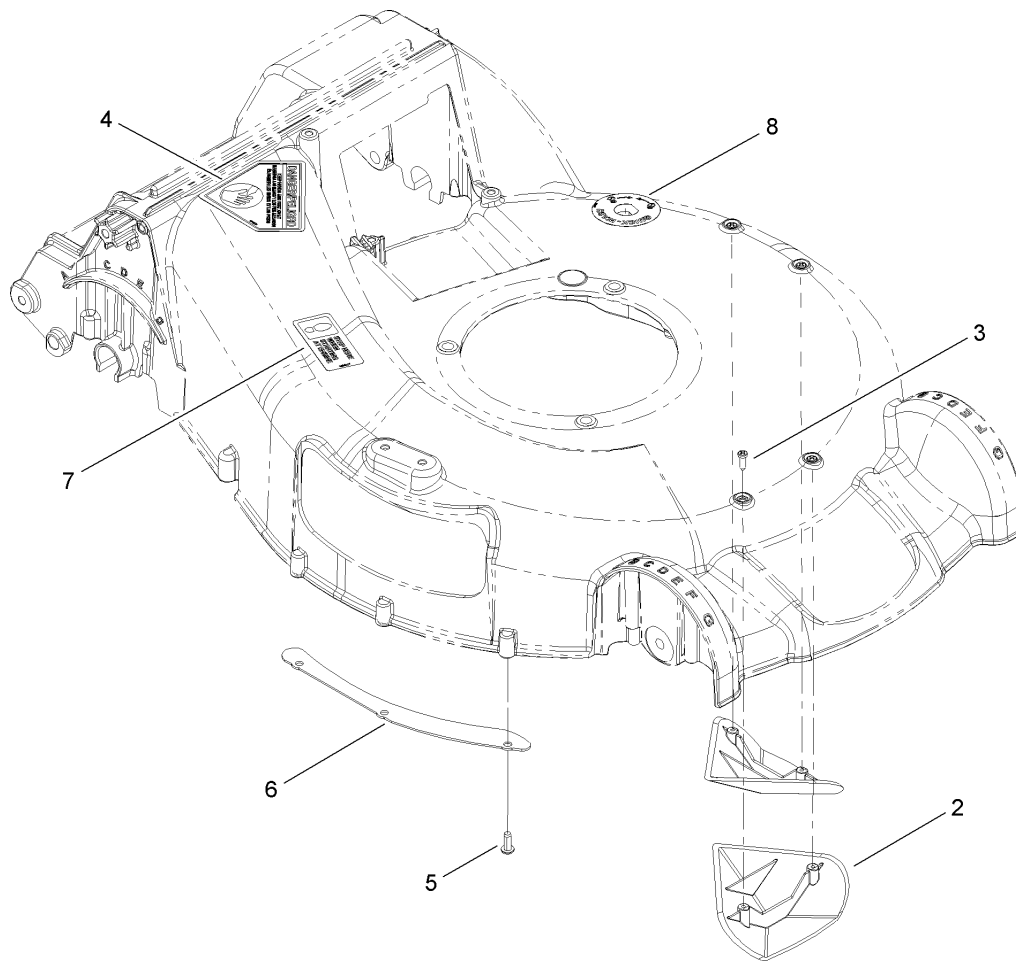
- | | |
|---|--|
| ❶ Not illustrated | ❷ Not serviced separately |
| ❸ Obtain from your local Briggs & Stratton dealer | ❹ Included in Carburetor Overhaul Kit (Ref. No. 121) |
| ❺ Included in Engine Gasket Set (Ref. No. 358) | ❻ Included in Carburetor Gasket Set (Ref. No. 977) |



Housing Assembly

Ref	Part No.	Qty.	Description
1	108-8169	1	Door-Service
1:1	105-1295	1	Decal-Warning
2	49-2040	7	Screw-HWHTF
3	3290-337	1	Nut-Speed
4	107-7493	2	Plate-Support, Door
5	107-7490	1	Plug-Mulch
6	105-3032	1	Spring-Door, Rear
7	114-1586	1	Shield-Trailing
8	107-7497	1	Bracket-Cable, Traction
9	107-7494	1	Cover-Belt
10	107-7499	1	Rod-Support, Door
11	107-3717	1	Discharge Door ASM
11:2	107-0795	1	Latch-Door
11:3	107-7456	1	Cap-Door
11:4	107-7461	1	Screw-Plastite
12	99-8445	2	Screw-HWH
13	99-5293	1	Spring-Torsion
14	99-5291	1	Rod-Cover
15	112-6416	1	Bracket-Cover
16	108-3753	1	Chute-Discharge, Side
18	112-8862	1	Housing ASM
21	107-7495	1	Tunnel-Discharge
25	112-6438	1	Washer-Seal, Washout Port
26	112-6400	1	Port-Washout

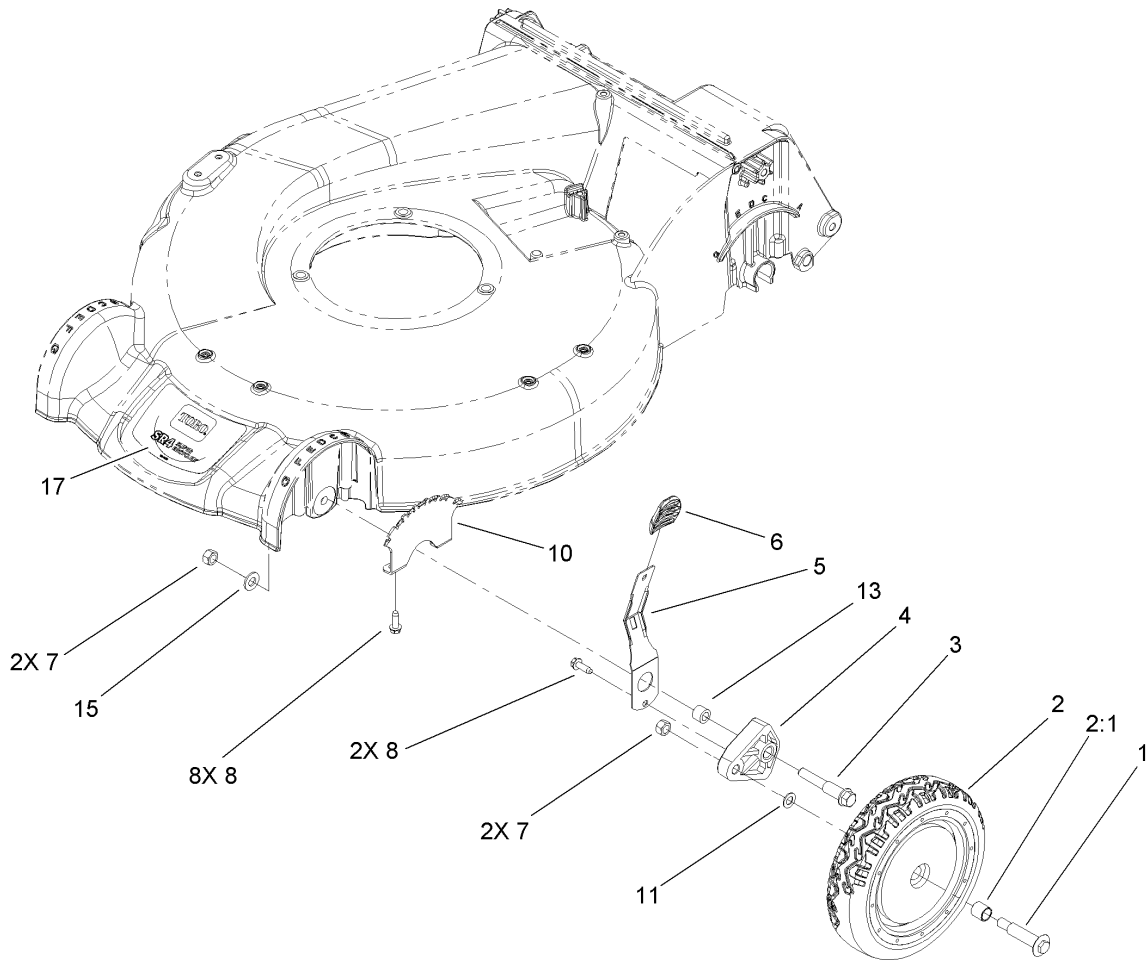
Ref	Part No.	Qty.	Description
27	112-6401	1	Coupling-Hose, Washout Port
28	3254-5	1	Washer-Tooth
29	3218-6	1	Nut-Jam
30	112-8868	1	Decal-Washout Port



Housing Assembly No. 112-8862

Ref	Part No.	Qty.	Description
2	108-3798	2	Kicker-Housing
3	32144-111	4	Screw-PPH
4	94-8072	1	Decal-Danger
5	63-8590	3	Screw
6	105-1316-03	1	Sheet-Lip
7	108-8117	1	Decal-Placement, Foot
8	112-8867	1	Decal-Washout Port, Trilingual

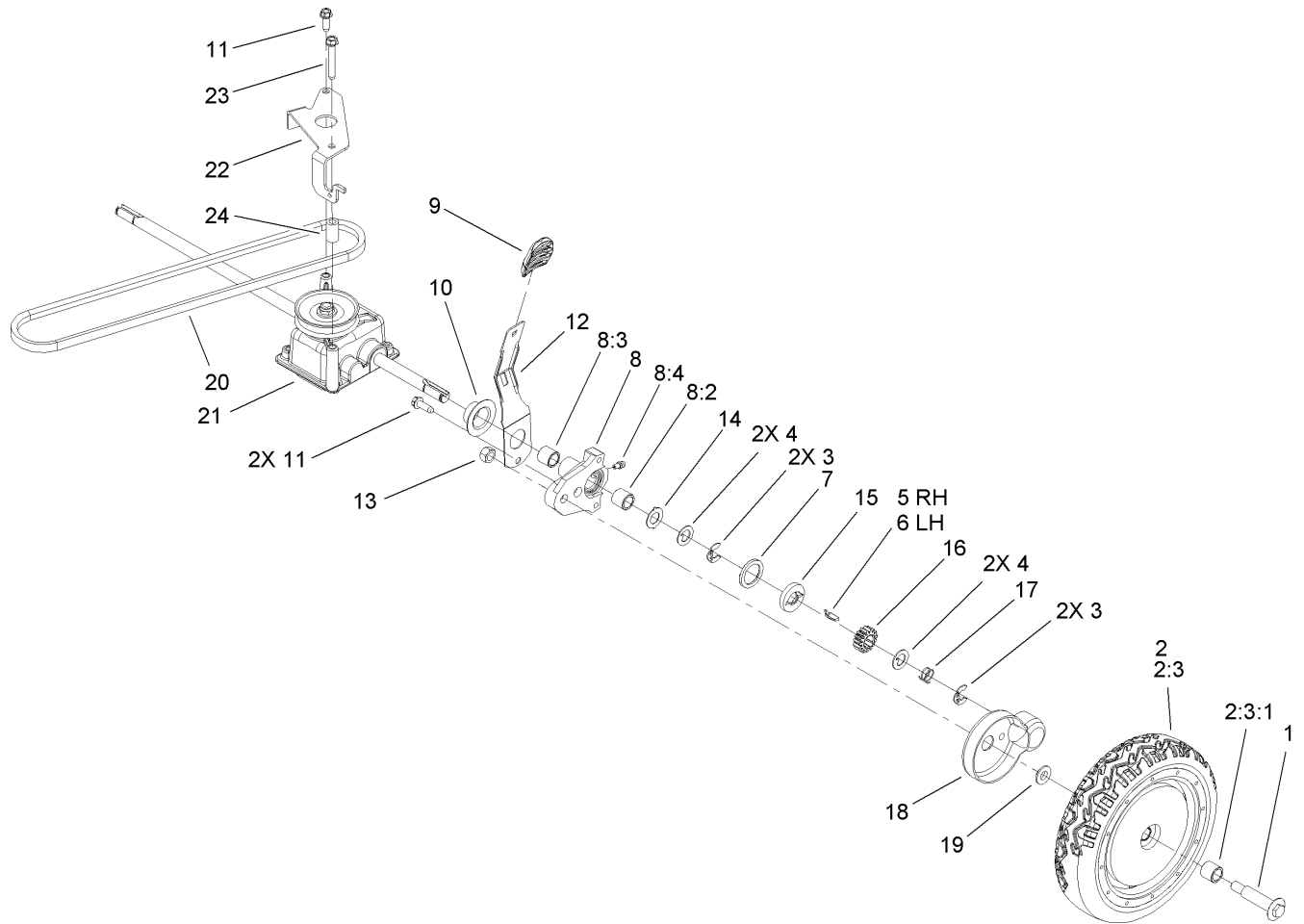
--	--	--	--



Height-of-Cut Assembly

Ref	Part No.	Qty.	Description
1	92-1057	2	Bolt-Shoulder
2	107-3708	2	Wheel ASM
2:1	27-6250	2	Bushing
3	107-7498	2	Screw-Shoulder, HOC
4	107-7492	2	Arm-Pivot
5	107-7491	2	Arm-Spring
6	105-3042	2	Knob-Lever, HOC
7	603773	4	Nut
8	49-2040	10	Screw-HWHTF
10	107-7478	4	Plate-HOC
11	40-1940	2	Washer
13	52-2480	2	Spacer-Wheel
15	3256-24	2	Washer-Flat
17	108-8168	1	Decal

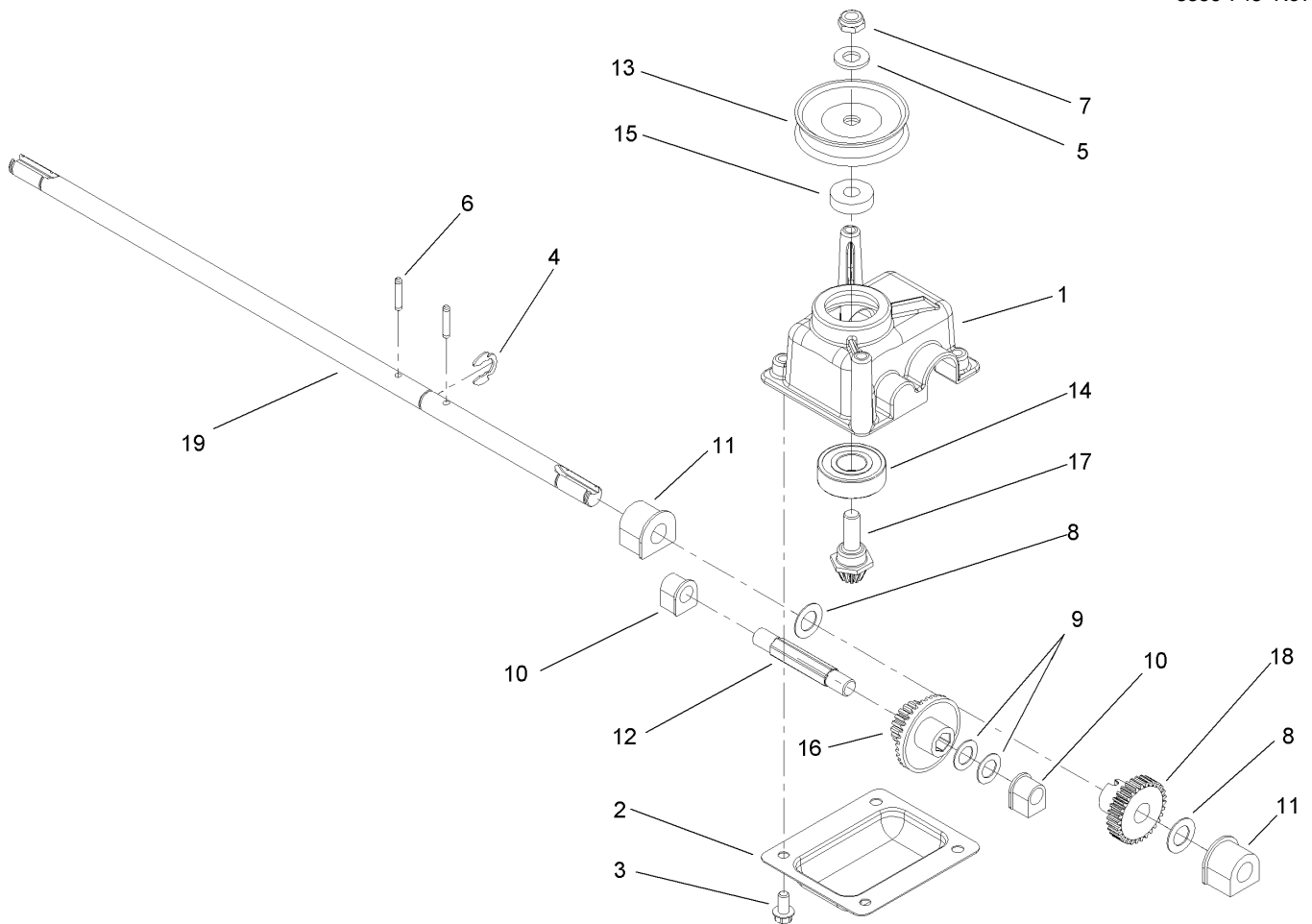
--	--	--	--



Transmission Assembly

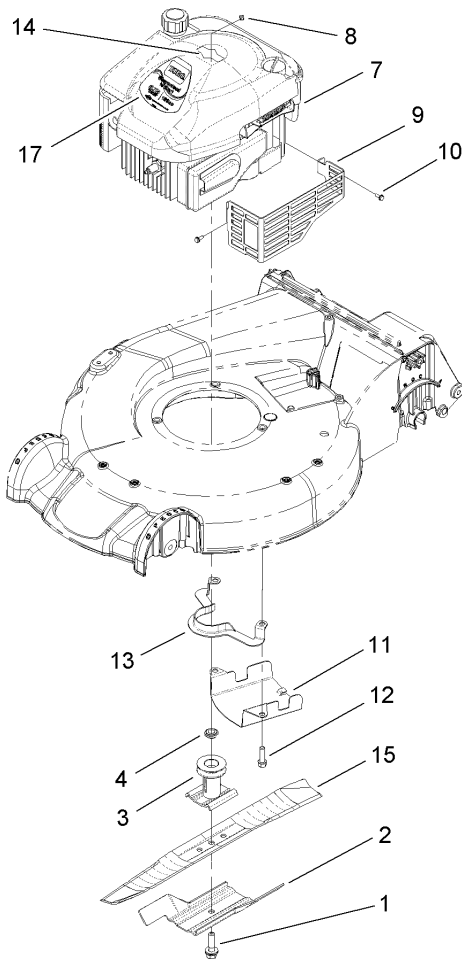
Ref	Part No.	Qty.	Description
1	92-1057	2	Bolt-Shoulder
2	107-3709	2	Wheel Gear ASM
2:3		1	Wheel ASM
2:3:1	27-6250	2	Bushing
3	65-2720	4	Klipring-Locking
4	65-4740	4	Washer-Thrust, Keyed
5	66-6040	1	Key-Rocking, RH
6	66-6050	1	Key-Rocking, LH
7	65-4710	2	Ring-Friction
8	100-8774	2	Pivot Arm ASM
8:2	47-2900	1	Bushing
8:3	70-9760	1	Bushing
8:4	302-56	1	Fitting-Grease
9	105-3042	2	Knob-Lever, HOC
10	42-3520	2	Cap-End
11	49-2040	3	Screw-HWHTF
12	107-7491	2	Arm-Spring
13	603773	2	Nut
14	65-4730	2	Washer-Arm, Pivot
15	65-4760	2	Washer-Clutch
16	65-4750	2	Gear-Pinion
17	65-4720	2	Spring-Compression
18	74-1660	2	Cover-Wheel
19	74-1671	2	Spacer-Cover, Wheel

Ref	Part No.	Qty.	Description
20	99-1597	1	V-Belt
21	108-8140	1	Gear Case ASM
22	107-7483-03	1	Bracket-Gearbox
23	92-1616	1	Screw-HWHTF
24	614673	1	Bushing-Plate, Actuator



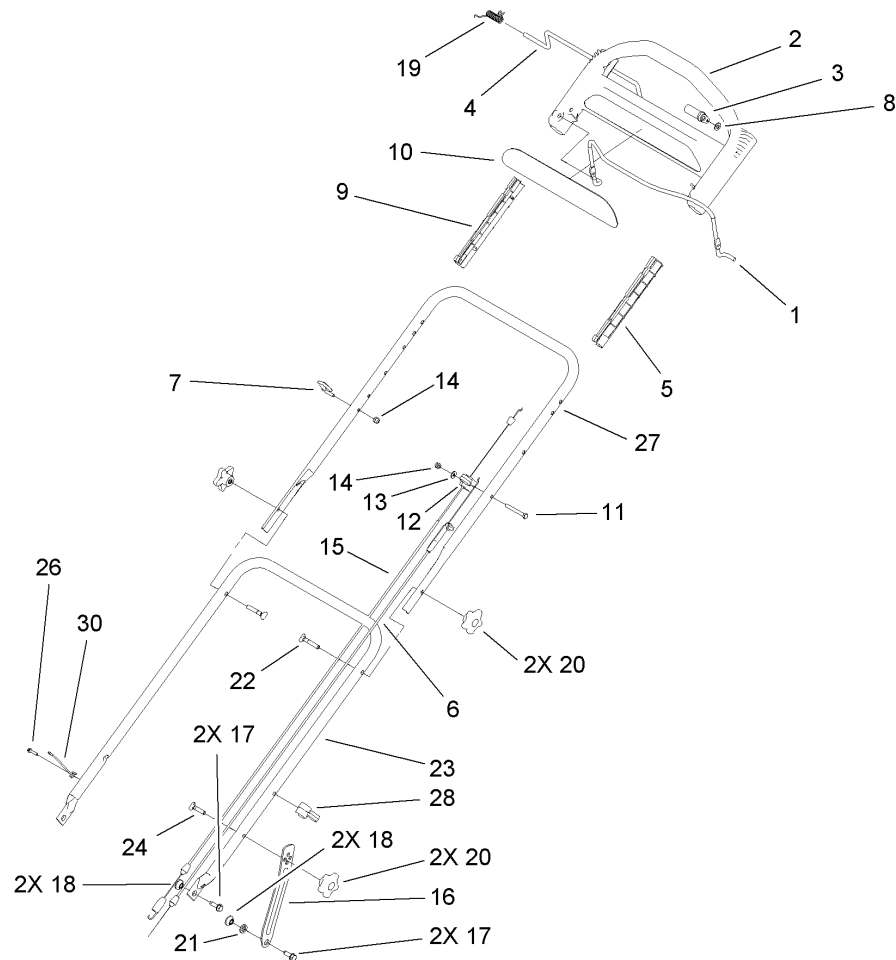
Gear Case Assembly No. 108-8140

Ref	Part No.	Qty.	Description
1	104-7619	1	Case-Gear
2	614668-03	1	Cover-Case, Gear
3	32144-4	4	Screw-HWH
4	32151-68	1	Ring-Retaining
5	3256-24	1	Washer-Flat
6	3285-19	2	Pin-Groove
7	3296-5	1	Nut-Lock
8	36-4780	2	Washer
9	36-4791	2	Washer-Thrust
10	60-8750	2	Bushing
11	60-8850	2	Bushing
12	614696	1	Shaft-Intermediate
13	100-1176	2	Pulley-Half
14	100-1048	1	Bearing-Ball
15	62-6660	1	Spacer
16	104-1005	1	Gear-19T Spur, 37T Bevel
17	104-7667	1	Gear-Pinion, Bevel
18	104-1004	1	Gear-30T
19	108-8141	1	Shaft-Output



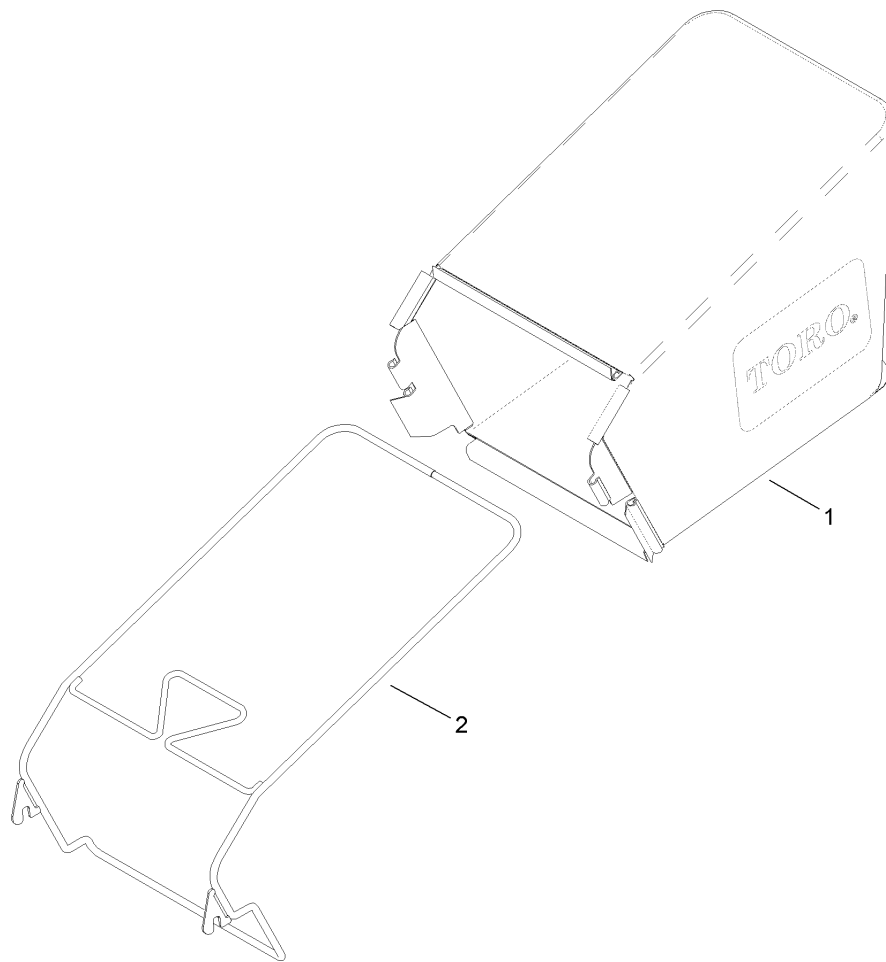
Engine Assembly

Ref	Part No.	Qty.	Description				
1	105-8579	1	Bolt-Blade				
2	105-6848-03	1	Accelerator-Blade				
3	106-3987	1	Blade Driver ASM				
4	106-3999	1	Spacer-Driver				
2 2 7		1	Engine-Briggs & Stratton, 126T02-0206-B1				
8	2210-316	1	Stop-Rope				
9	104-7577-03	1	Shield-Muffler				
10	32144-1	3	Screw-Taptite				
11	107-7489-03	1	Shield-Grass				
12	95-1727	3	Screw-Taptite				
13	108-8110-03	1	Guide-Belt				
14	108-8130	1	Decal-Recoil				
15	108-3762-03	1	Blade-Recycling				
17	114-0339	1	Decal-Engine				



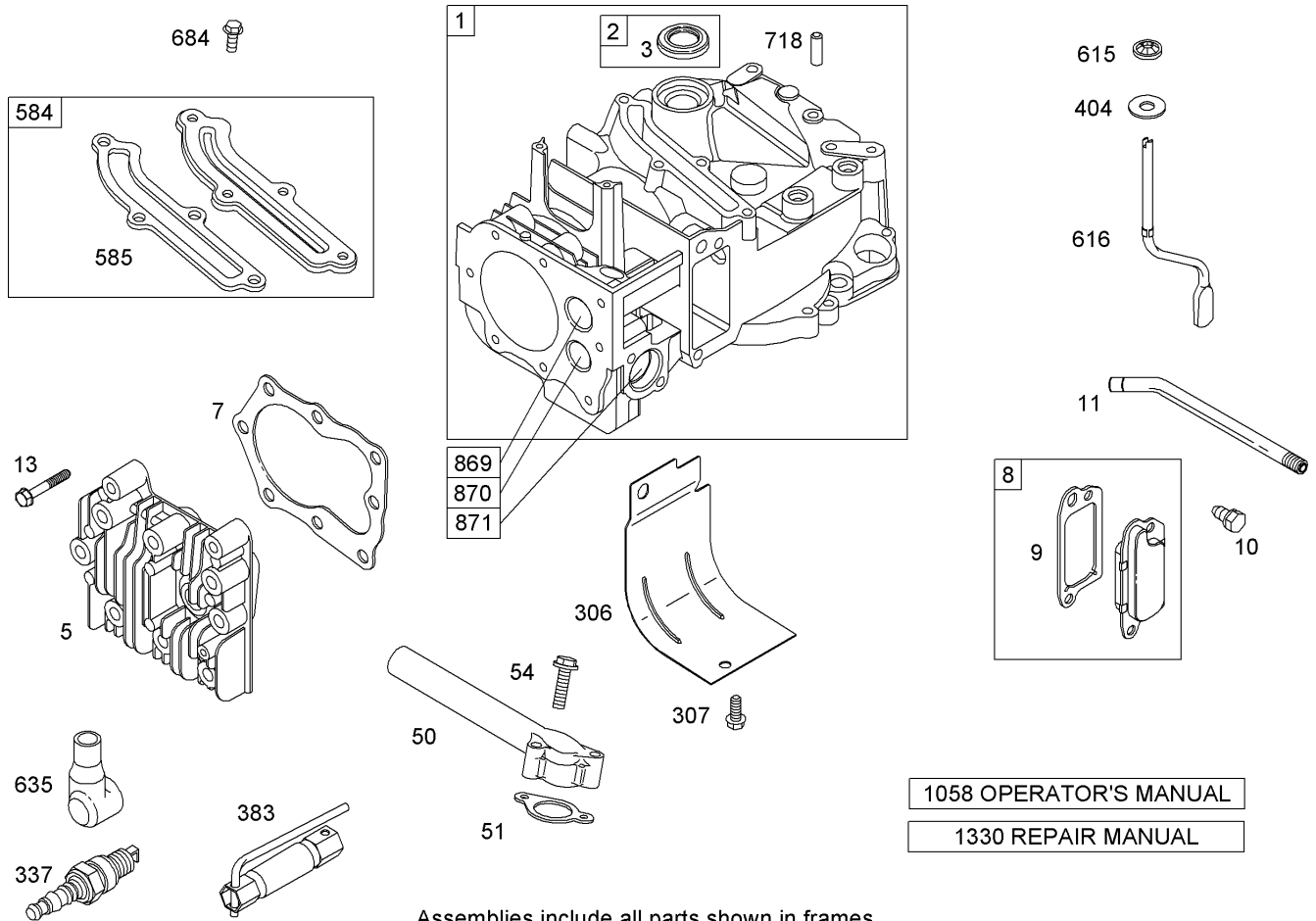
Handle Assembly

Ref	Part No.	Qty.	Description	Ref	Part No.	Qty.	Description
1	104-8679-03	1	Bail-Brake	26	32144-53	1	Screw-SHWH
2	104-8678	1	Handle-Control	27	107-3783-05	1	Handle-Upper
3	99-1589	1	Lever-Traction	28	106-6805	1	Guide-Cable
4	99-1588	1	Bar-Control, Traction	30	108-9452	1	Hook-Rope, Displacement
5	105-6842	1	Guide-LH				
6	108-8157	1	Cable-Brake				
7	86-9671	1	Guide-Rope				
8	3256-23	1	Washer-Flat				
9	105-6841	1	Guide-RH				
10	108-8134	1	Decal-Handle				
11	95-4453	1	Screw				
12	99-5239	1	Anchor-Cable				
13	3256-1	1	Washer-Flat				
14	3296-73	2	Nut-Lock, NI				
15	108-8158	1	Cable-Traction				
16	108-8145-03	2	Support-Handle				
17	701243	4	Screw-HWHTF				
18	27-6600	4	Spacer-Coupling				
19	104-8690	1	Spring-Torsion				
20	108-8162	4	Knob-Locking				
21	55-9670	2	Washer				
22	92-2260	2	Screw-Handle				
23	107-7476-05	1	Handle-Lower				
24	92-2260	2	Screw-Handle				



Grass Bag Assembly

Ref	Part No.	Qty.	Description
1	107-3789	1	Grass Bag ASM
2	107-3785-03	1	Bag Frame ASM

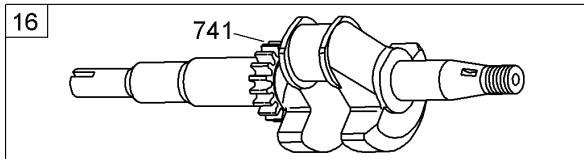
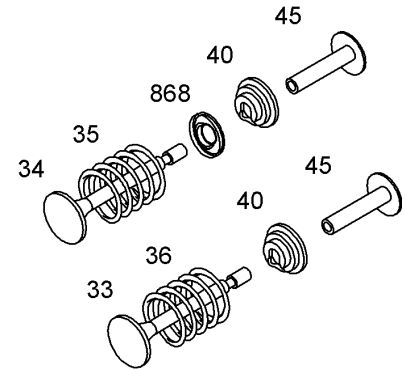
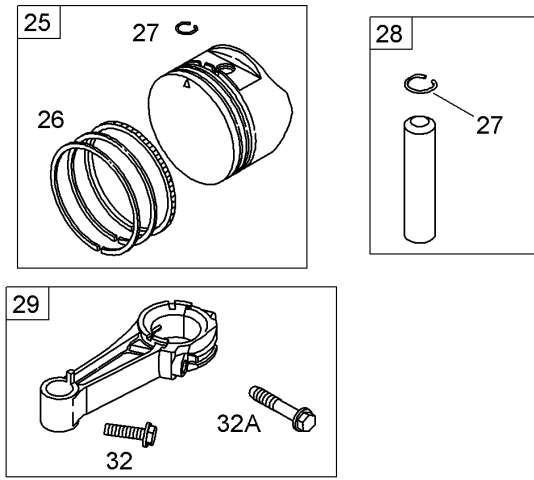


Assemblies include all parts shown in frames

Cylinder Assembly Briggs and Stratton 126T02-0206-E1

Ref	Part No.	Qty.	Description
1	697322	1	Cylinder ASM
2	399269	1	Bushing/Seal Kit
3	299819s	1	Seal-Oil (Magneto Side)
5	691160	1	Head-Cylinder
7	692249	1	Gasket-Head, Cylinder
8	695250	1	Breather ASM
9	699472	1	Gasket-Breather
10	691125	1	Screw (Breather ASM)
11	691781	1	Tube-Breather
13	690912	1	Screw (Cylinder Head)
50	497465	1	Manifold-Intake
51	272199s	1	Gasket-Intake
54	691650	1	Screw (Intake Manifold)
306	690450	1	Cylinder Shield
307	690345	1	Screw (Cylinder Shield)
337	802592s	1	Plug-Spark
383	89838s	1	Wrench-Spark Plug
404	690272	1	Washer (Governor Crank)
584	697734	1	Cover-Passage, Breather
585	691879	1	Gasket-Passage, Breather
615	690340	1	Retainer-Shaft, Governor
616	698801	1	Crank-Governor
635	66538s	1	Boot-Spark Plug
684	690345	1	Screw (Breather Passage Cover)

Ref	Part No.	Qty.	Description
718	690959	1	Pin-Locating
869	691155	1	Seat-Valve (Intake)
870	690380	1	Seat-Valve (Exhaust)
871	262001	1	Bushing-Guide (Exhaust)
871	63709	1	Bushing-Guide (Intake)
1058	MS3260	1	Operator's Manual
1330	270962	1	Repair Manual

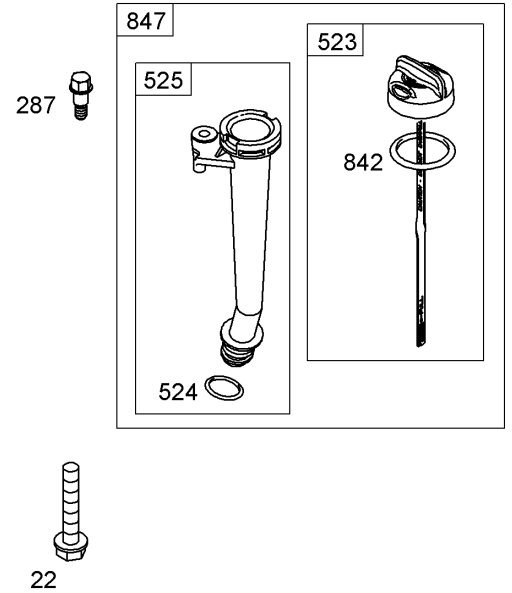
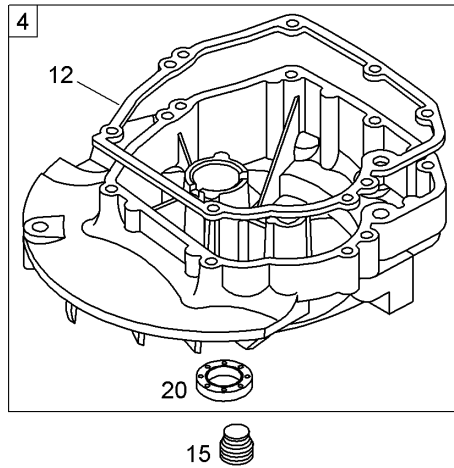
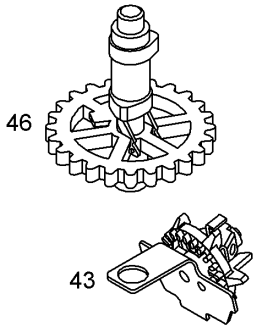
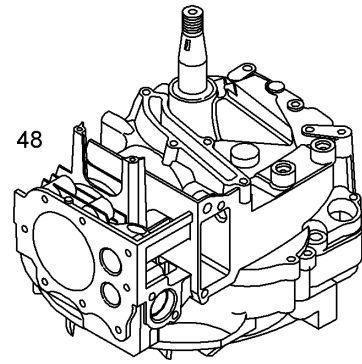


Assemblies include all parts shown in frames

Crankshaft Assembly Briggs and Stratton 126T02-0206-E1

Ref	Part No.	Qty.	Description
● 16	696009	1	Crankshaft
● 24	222698s	1	Key-Flywheel
● 25	790359	1	Piston ASM (STD)
● 25	791326	1	Piston ASM (.020 O S)
● 26	790360	1	Ring Set (STD)
● 26	791324	1	Ring Set (.020 O S)
● 27	691866	1	Lock-Pin, Piston
● 28	499423	1	Pin-Piston (STD)
● 29	499424	1	Rod-Connecting (STD)
● 32	691664	1	Screw (Connecting Rod)
● 32A	695759	1	Screw (Connecting Rod)
● 33	262651s	1	Valve-Exhaust
● 34	262652s	1	Valve-Intake
● 35	691270	1	Spring-Valve (Intake)
● 36	691270	1	Spring-Valve (Exhaust)
● 40	692194	1	Retainer-Valve
● 45	690548	1	Tappet-Valve
● 741	790345	1	Gear-Timing
● 868	697338	1	Seal-Valve

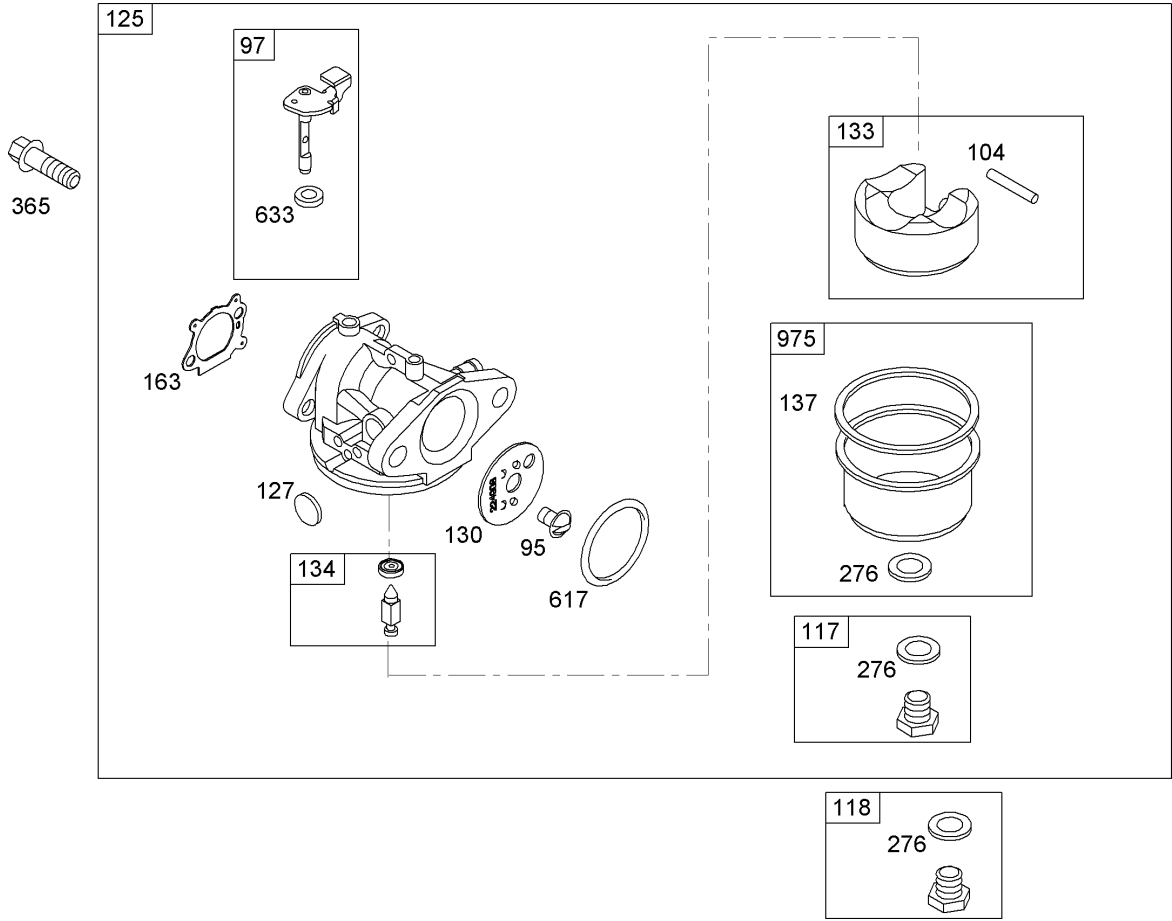
--	--	--	--



Assemblies include all parts shown in frames

Crankcase Assembly Briggs and Stratton 126T02-0206-E1

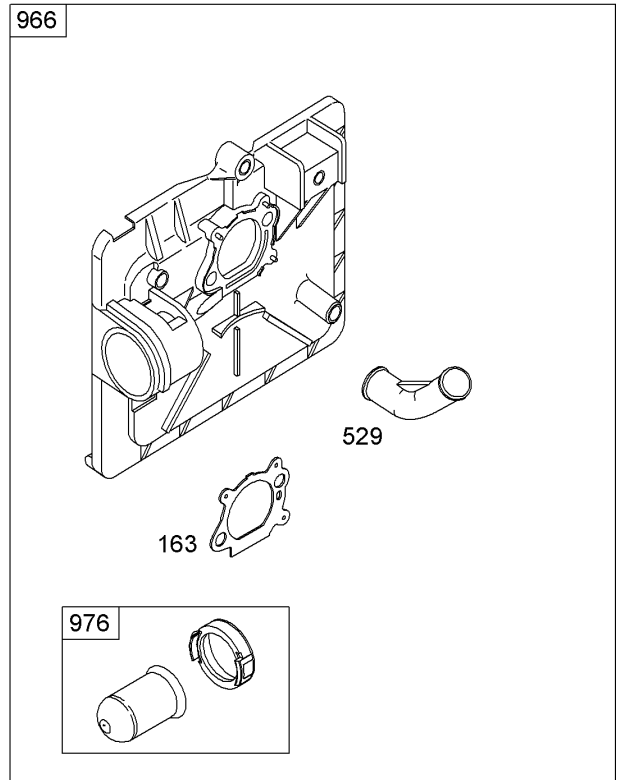
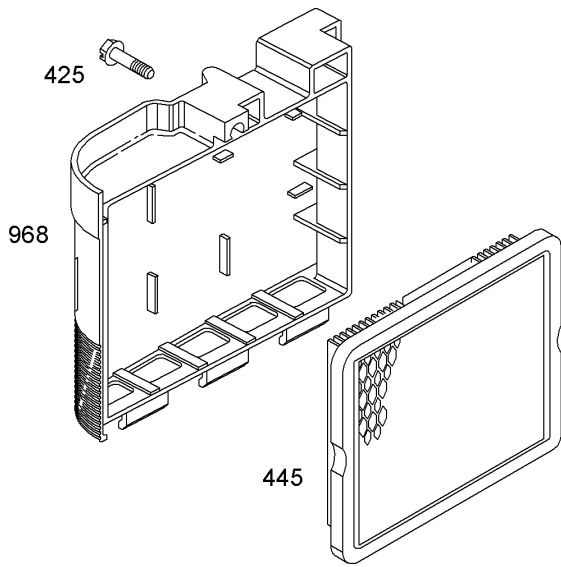
Ref	Part No.	Qty.	Description
4	493279	1	Sump-Engine
12	692232	1	Gasket-Crankcase (.015 STD)
15	691680	1	Plug-Drain, Oil
20	399781s	1	Seal-Oil
22	691092	1	Screw (Engine Sump)
43	691997	1	Slinger-Governor, Oil
46	691449	1	Camshaft
48	792742	1	Short Block ASM
287	690940	1	Screw (Dipstick Tube)
523	499621	1	Dipstick
524	692296	1	Seal, O-Ring (Dipstick Tube)
525	495265	1	Tube-Dipstick
842	691031	1	Seal, O-Ring (Dipstick Tube)
847	692047	1	Dipstick Tube ASM



Assemblies include all parts shown in frames

Carburetor Assembly Briggs and Stratton 126T02-0206-E1

Ref	Part No.	Qty.	Description
③ 95	691636	1	Screw (Throttle Valve)
③ 97	696565	1	Shaft-Throttle
③ ④ 104	691242	1	Pin-Hinge, Float
③ 117	498978	1	Jet-Main (STD)
③ 118	497466	1	Jet-Main (High Altitude)
③ 125	498170	1	Carburetor
③ ④ 127	694468	1	Plug-Welch
③ 130	696564	1	Valve-Throttle
③ 133	398187	1	Float-Carburetor
③ ④ 134	398188	1	Needle Seat Kit
③ ④ 137	693981	1	Gasket-Bowl, Float
⑤ ⑥			
③ ④ 163	272653s	1	Gasket-Cleaner, Air
⑤ ⑥			
③ ④ 276	271716	1	Washer-Sealing
⑤ ⑥			
③ 365	692524	1	Screw (Carburetor)
③ ④ 617	270344s	1	Seal, O-Ring (Intake Manifold)
⑤ ⑥			
③ ④ 633	691321	1	Seal-Shaft, Choke Throttle
⑤ ⑥			
③ 975	493640	1	Bowl-Float

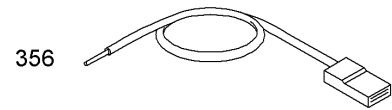
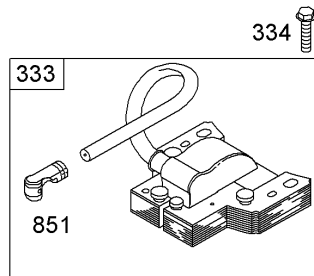
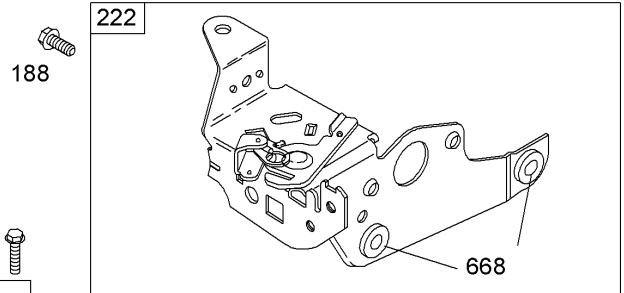
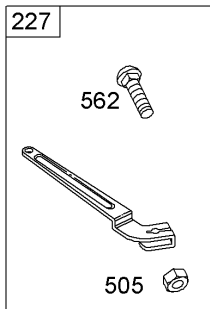
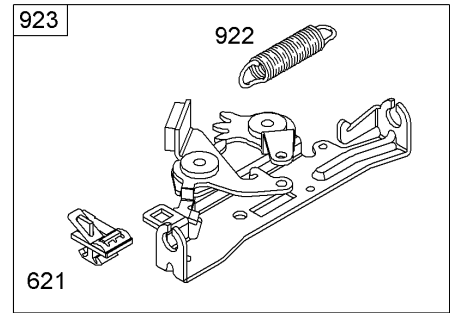
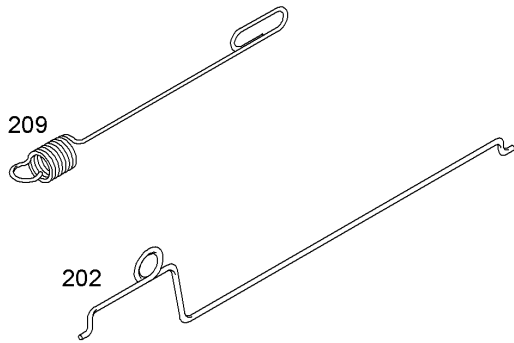


Assemblies include all parts shown in frames

Air Cleaner Assembly Briggs and Stratton 126T02-0206-E1

Ref	Part No.	Qty.	Description
③ ④ 163	272653s	1	Gasket-Cleaner, Air
③ ⑥			
③ 425	690670	1	Screw (Air Cleaner Cover)
③ 443	692523	1	Screw (Air Cleaner Primer Base)
③ 445	491588s	1	Filter-Cartridge, Air Cleaner
③ 529	691923	1	Grommet
③ 966	496116	1	Base-Primer, Air Cleaner
③ 968	692298	1	Cover-Cleaner, Air
③ 976	694395	1	Primer-Carburetor

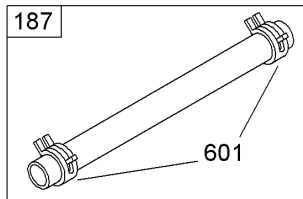
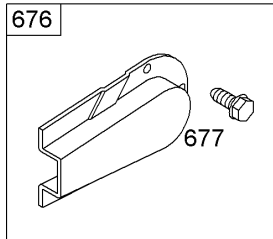
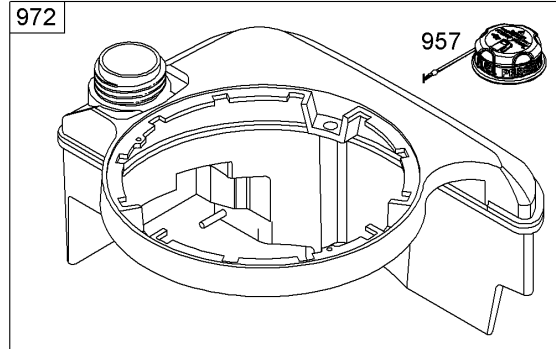
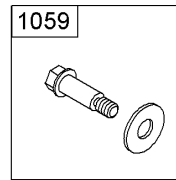
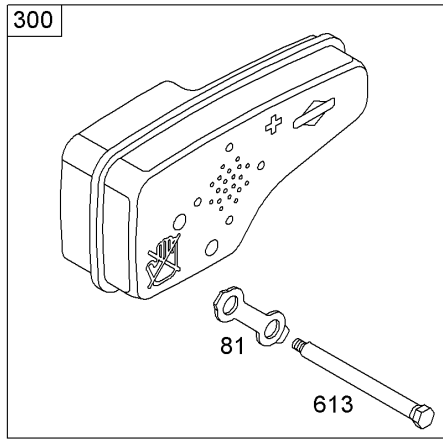
--	--	--	--



Assemblies include all parts shown in frames

Governor Assembly Briggs and Stratton 126T02-0206-E1

Ref	Part No.	Qty.	Description
①188	693399	1	Screw (Control Bracket)
②202	691829	1	Link-Governor, Mechanical
③209	691292	1	Spring-Governor
④222	791128	1	Bracket-Control
⑤227	690783	1	Lever-Control, Governor
⑥333	802574	1	Armature-Magneto
⑦334	691061	1	Screw (Magneto Armature)
⑧356	692390	1	Wire-Stop
⑨505	691251	1	Nut (Governor Control Lever)
⑩562	691119	1	Bolt (Governor Control Lever)
⑪621	692310	1	Switch-Stop
⑫⑬668	493823	1	Spacer
⑭745	691648	1	Screw (Brake)
⑮851	493880s	1	Terminal-Spark Plug
⑯922	691831	1	Spring-Brake
⑰923	691994	1	Brake

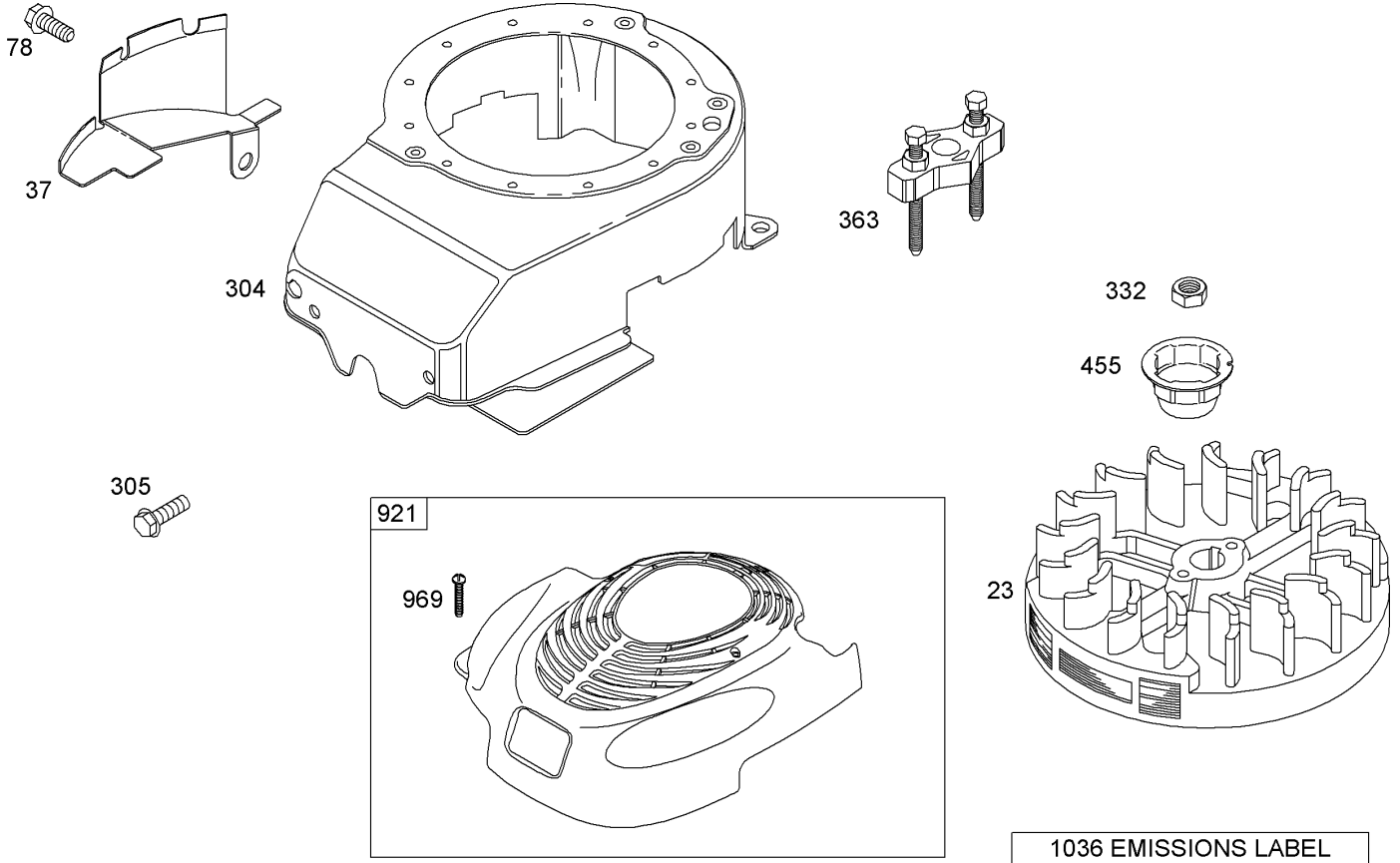


Assemblies include all parts shown in frames

Muffler and Fuel Tank Assembly Briggs and Stratton 126T02-0206-E1

Ref	Part No.	Qty.	Description
81	691740	1	Lock-Screw, Muffler
187	791766	1	Line-Fuel (Cut To Required Length)
190	690940	1	Screw (Fuel Tank)
300	692038	1	Muffler
601	791850	1	Clamp-Hose
613	691340	1	Screw (Muffler)
670	692294	1	Spacer-Tank, Fuel
676	493871	1	Deflector-Muffler
677	690661	1	Screw (Muffler Deflector)
957	699985	1	Cap-Tank, Fuel
972	699374	1	Tank-Fuel
1059	692311	1	Screw/Washer Kit

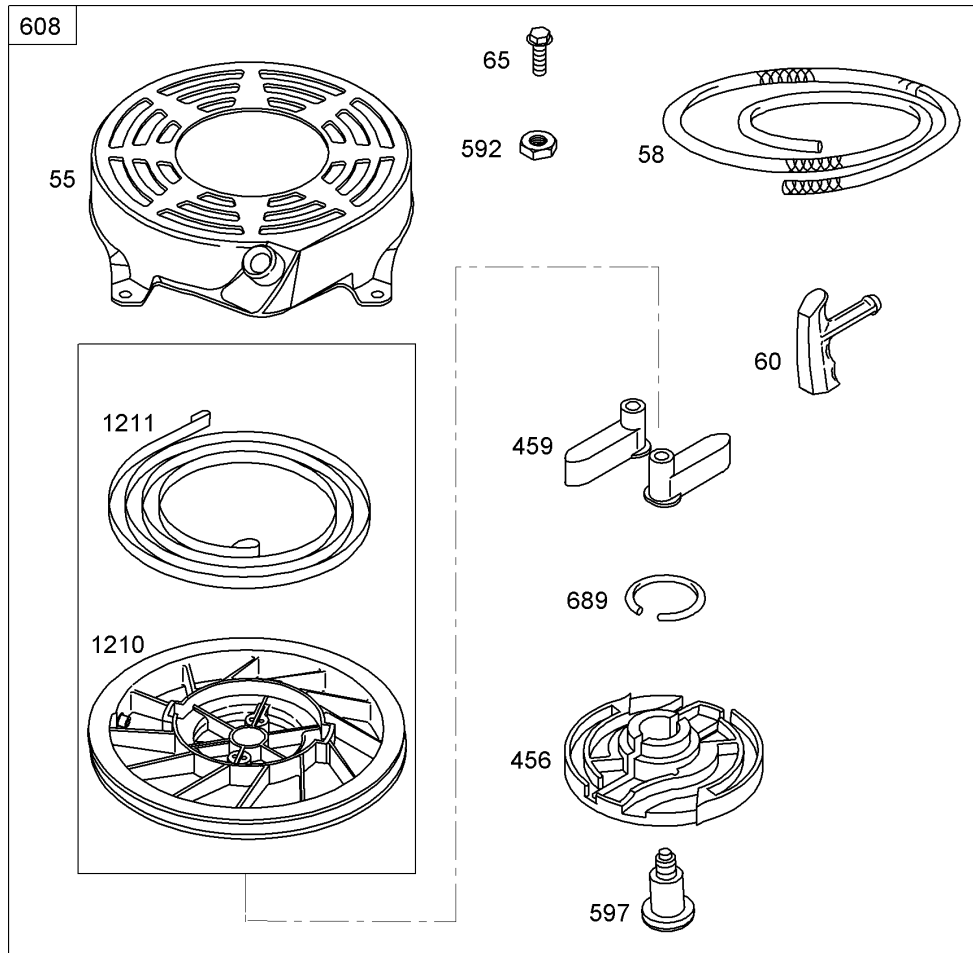
--	--	--	--



Assemblies include all parts shown in frames

Blower Housing Assembly Briggs and Stratton 126T02-0206-E1

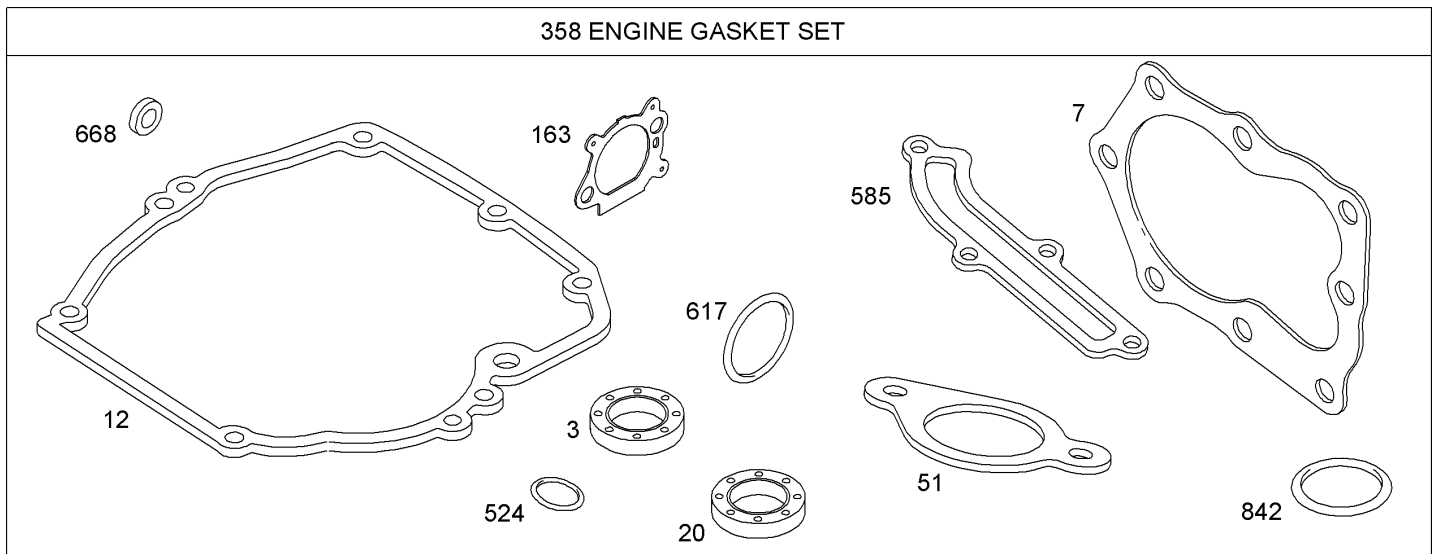
Ref	Part No.	Qty.	Description
❶23	691987	1	Flywheel
❶37	694086	1	Guard-Flywheel
❶78	691108	1	Screw (Flywheel Guard)
❶304	493293	1	Housing-Blower
❶305	691108	1	Screw (Blower Housing)
❶332	690662	1	Nut (Flywheel)
❶363	19069	1	Puller-Flywheel
❶455	791960	1	Cup-Flywheel
❶921	790036	1	Cover-Housing, Blower
❶969	691138	1	Screw (Blower Housing Cover)
❶1036		1	Label-Emissions (Available From An Authorized Briggs And Stratton Service Dealer)



Starter Assembly Briggs and Stratton 126T02-0206-E1

Ref	Part No.	Qty.	Description
55	691421	1	Housing-Starter, Rewind
58	697316	1	Rope-Starter
60	281434s	1	Grip-Rope, Starter
65	690837	1	Screw (Rewind Starter)
456	692299	1	Plate-Friction, Pawl
459	281505s	1	Ratchet-Pawl
592	690800	1	Nut (Rewind Starter)
597	691696	1	Screw (Pawl Friction Plate)
608	497680	1	Starter-Rewind
689	691855	1	Spring-Friction
1210	498144	1	Pulley/Spring ASM (Pulley)
1211	498144	1	Pulley/Spring ASM (Spring)

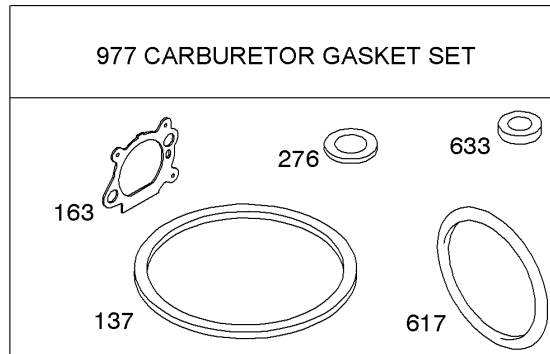
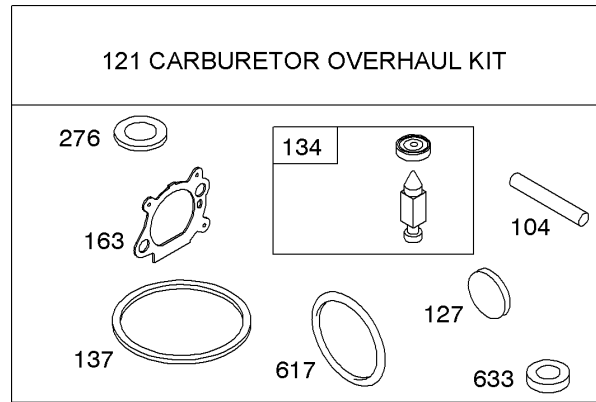
--	--	--	--



Assemblies include all parts shown in frames

Gasket Kit Briggs and Stratton 126T02-0206-E1

Ref	Part No.	Qty.	Description
⑤⑤3	299819s	1	Seal-Oil (Magneto Side)
⑤⑤7	692249	1	Gasket-Head, Cylinder
⑤⑤12	692232	1	Gasket-Crankcase
⑤⑤20	399781s	1	Seal-Oil (PTO Side)
⑤⑤51	272199s	1	Gasket-Intake
⑤④163	272653s	1	Gasket-Cleaner, Air
⑤⑥			
⑤358	497316	1	Gasket Set-Engine
⑤⑤524	692296	1	Seal, O-Ring (Dipstick Tube)
⑤⑤585	691879	1	Gasket-Passage, Breather
⑤④617	270344s	1	Seal, O-Ring (Intake Manifold)
⑤⑥			
⑤⑤668	493823	1	Spacer
⑤⑤842	691031	1	Seal, O-Ring (Dipstick)



Assemblies include all parts shown in frames

Carburetor Overhaul Kit Briggs and Stratton 126T02-0206-E1

Ref	Part No.	Qty.	Description
③④104	691242	1	Pin-Hinge, Float
③121	498260	1	Carburetor Overhaul Kit
③④127	694468	1	Plug-Welch
③④134	398188	1	Needle Seat Kit
③④137	693981	1	Gasket-Bowl, Float
⑥			
③④163	272653s	1	Gasket-Cleaner, Air
⑤⑥			
③276	271716	1	Washer-Sealing
③④617	270344s	1	Seal, O-Ring
⑤			
③④633	691321	1	Seal-Shaft, Choke Throttle
⑥			
③977	498261	1	Carburetor Gasket Set

Attachments and Accessories

For 20055 - Super Recycler Lawn Mower

Product Name	Model/Part
Bagging Blade	108-3759-03
Traction Assist Handle Kit	108-8120

NOTES



Free Manuals Download Website

<http://myh66.com>

<http://usermanuals.us>

<http://www.somanuals.com>

<http://www.4manuals.cc>

<http://www.manual-lib.com>

<http://www.404manual.com>

<http://www.luxmanual.com>

<http://aubethermostatmanual.com>

Golf course search by state

<http://golfingnear.com>

Email search by domain

<http://emailbydomain.com>

Auto manuals search

<http://auto.somanuals.com>

TV manuals search

<http://tv.somanuals.com>