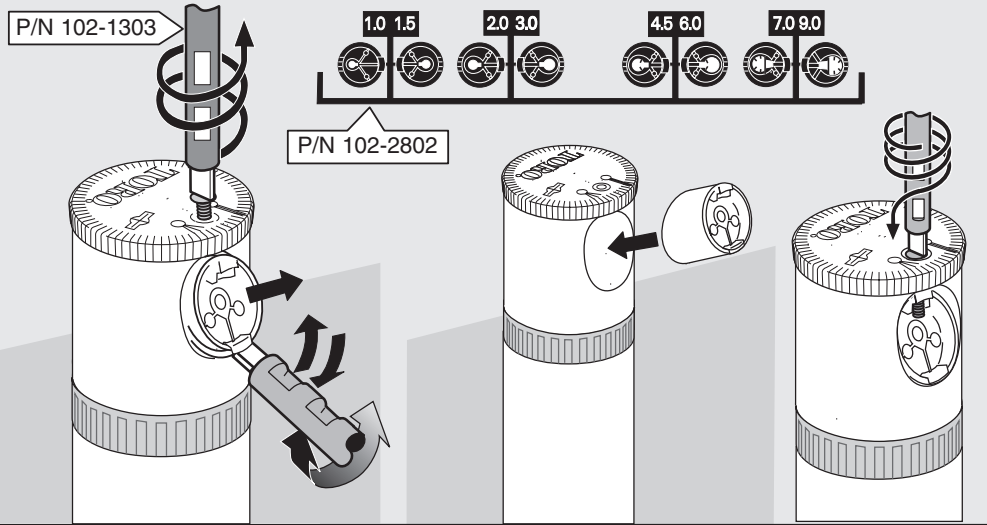
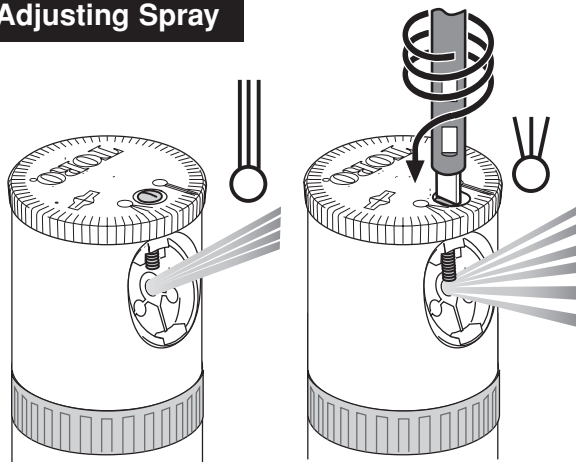


Changing Nozzle

The TR50 sprinkler comes with eight additional nozzle sizes from 1 to 9 GPM. To change the nozzle, use the blade end of the sprinkler tool or a screwdriver to turn the nozzle screw out until it clears the nozzle. Pry the nozzle out at the bottom and install the new nozzle. Return the nozzle screw to its previous position.



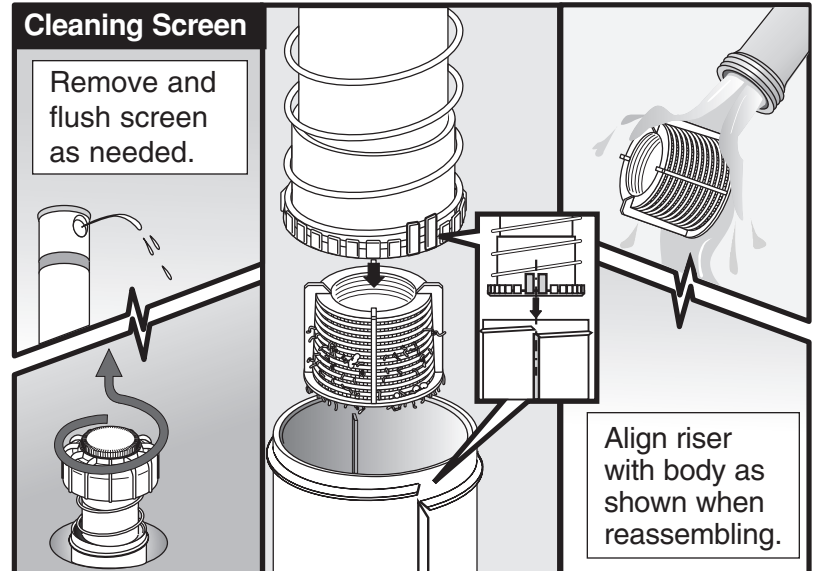
Adjusting Spray



Turn the nozzle screw in to diffuse and shorten the spray radius.

Cleaning Screen

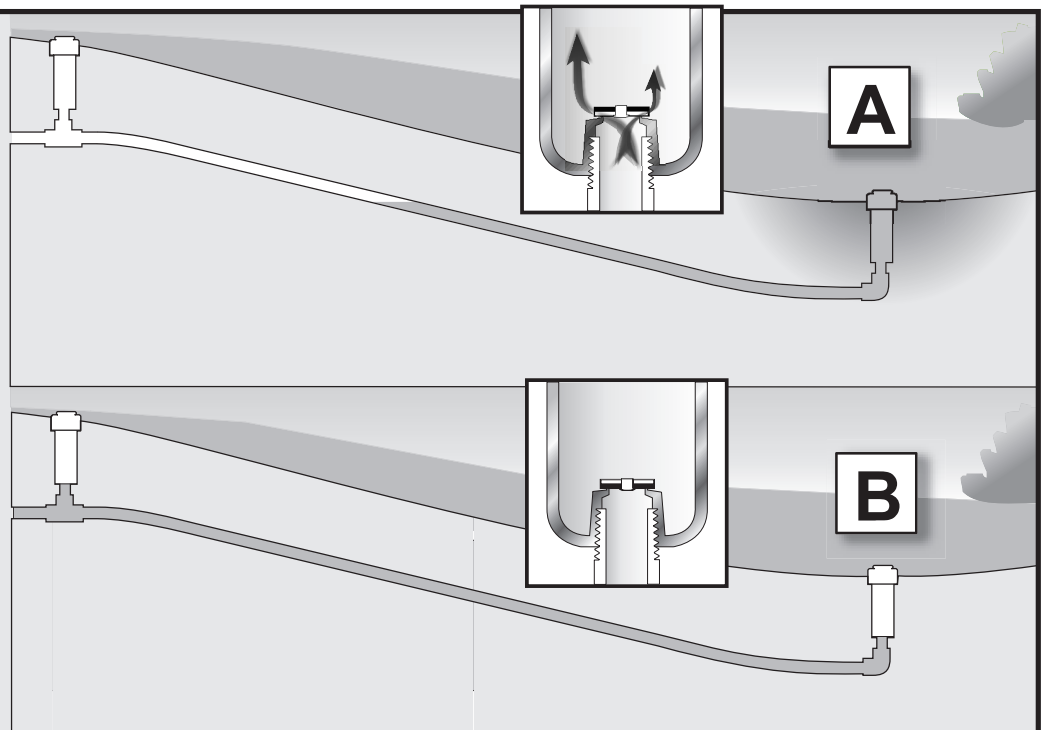
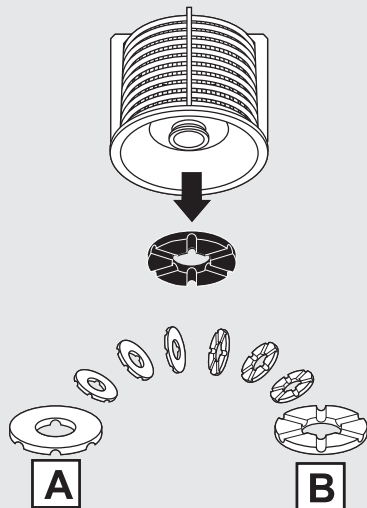
Remove and flush screen as needed.



Align riser with body as shown when reassembling.

Install Check Valve

To prevent low head drainage, install check valve disk in position B.



Free Manuals Download Website

<http://myh66.com>

<http://usermanuals.us>

<http://www.somanuals.com>

<http://www.4manuals.cc>

<http://www.manual-lib.com>

<http://www.404manual.com>

<http://www.luxmanual.com>

<http://aubethermostatmanual.com>

Golf course search by state

<http://golfingnear.com>

Email search by domain

<http://emailbydomain.com>

Auto manuals search

<http://auto.somanuals.com>

TV manuals search

<http://tv.somanuals.com>