

TOSHIBA

SD-M1201 DVD-ROM

with REALmagic Hollywood+ Playback Card

Installation Instructions

Congratulations on your purchase of a Toshiba SD-M1201 DVD-ROM drive and REALmagic Hollywood+ DVD/MPEG-2 Playback Card Kit. The following information will help you in the simple installation of your new DVD-ROM. It is assumed that you are replacing a presently installed CD-ROM with the enclosed DVD-ROM. If this is not the case, additional installation hardware may be required. Refer to REALmagic Hollywood+ User's Guide for installation instructions on the DVD/MPEG-2 Playback Card.

CHECKING YOUR KIT PACKAGING

Please unpack your DVD kit, and assure that you have the following items:

- Toshiba SD-M1201 SCSI DVD-ROM drive
- DVD/MPEG-2 PCI Playback Card (compatible with all graphics cards)
- 13" 3.5mm ext. audio cable
- 14" HDB15 - 9 DIN overlay cable
- S-Video to RCA video converter cable
- REALmagic™ Accessory Kit envelope (with software, demo CD and Playback Card User's Guide)
- SD-M1201 DVD-ROM Installation Instructions (this manual)

Additional items you may need that are not included in the kit are:

- Screwdriver
- mounting screws and mounting hardware
- SCSI interface cable
- SCSI host adapter board
- DVD/CD-ROM Sound Cable

SYSTEM REQUIREMENT

The DVD-ROM kit requires the following:

- ✓ 2MB of free hard disk space
- ✓ 16MB of RAM
- ✓ Pentium-based PC (or compatible), 133MHz or higher
- ✓ PCI 2.1 compliant expansion slot
- ✓ VGA Card
- ✓ Plug and Play BIOS support
- ✓ Microsoft™ Windows 95 or higher
- ✓ Amplified stereo speakers

The follow steps must be performed to properly install your DVD-ROM.

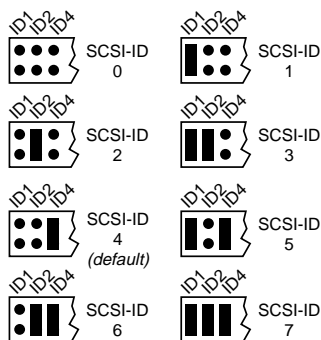
- Set DVD-ROM drive jumper settings.
- Connect audio cable.
- Install SCSI host adapter board.
- Attach SCSI interface cable.
- Mount DVD-ROM.

SETTING JUMPERS



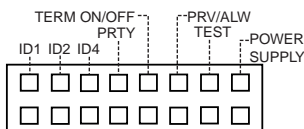
The block of mode select jumpers are located on the rear of the DVD-ROM. If the jumper covers both pins on the jumper block, it is ON; if there is no jumper or only one of the pins is covered, the jumper is OFF. The jumper settings include SCSI ID, Parity, Termination, Eject, Test/Audio Playback, and Power Supply.

SCSI ID - All SCSI devices attached to your computer are assigned a SCSI-ID number from 0 to 7. Your DVD-ROM's SCSI ID must be set so that its ID number does not conflict with any other device's SCSI-ID in your system. In most cases, your DVD-ROM will be set to SCSI ID 4 at the factory. Also note that your SCSI interface card in most cases has a SCSI ID of 7. This chart below shows the jumper settings for the eight possible ID numbers.



Parity - In the OFF mode, the parity bit check function on the SCSI data bus is activated which enhances data bus reliability. Therefore, the jumper should remain in the OFF mode.

Terminator ON/OFF - This jumper turns termination power ON or OFF. If you are connecting more than one SCSI device to your system, and the DVD-ROM is not at the end of the chain, then terminator jumper is not required.



PRV/ALW - This jumper is used to inhibit the drive's EJECT button. When the jumper is ON, the EJECT button will not operate.

Test - This setting selects the drive operation between normal CD-ROM and CD-Audio player mode. When jumper is set to ON position, commands from the host computer are ignored. This jumper is for test purposes only and should be set to OFF for proper CD-ROM function.

Power Supply - Toshiba SCSI DVD-ROM drives can supply power to other equipment on the SCSI BUS. When the jumper is ON, the drive will supply termination power. If you're not sure if any other device supplies termination power, it is fine to leave the jumper ON.

PLACING DVD-ROM INSIDE YOUR COMPUTER

Now that you have set the jumpers, you are ready to install your DVD-ROM inside your computer.

IMPORTANT: Disconnect power from your computer system before beginning installation.

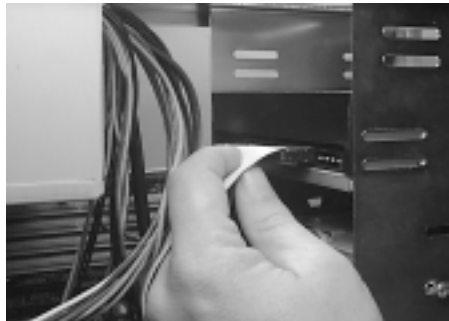
Remove computer cover and faceplate if required. Refer to your computer system's manual for removal information. If DVD-ROM is replacing a CD-ROM, remove CD-ROM presently installed in your system.

The SD-M1202 DVD-ROM can be mounted horizontally or vertically in any free half-height drive slot at the front of your computer.

Carefully start sliding the DVD-ROM into the opening with the disc tray facing the front of the computer. Before you push the drive all the way in you will need to connect the SCSI interface cable, audio cable, and the power cable on the back of the drive.

Connecting Cables

SCSI Interface Cable (not supplied with kit) - The internal SCSI interface cable is connected to your SCSI host adapter card and fits into the socket on the back of your DVD-ROM. The stripe or red-colored side of the ribbon cable connects to pin 1 on the drives' SCSI connector which is found next to the drive's power connector. Carefully push the SCSI connector into the socket, making sure it fits snugly.



If you are replacing your CD-ROM: connect DVD-ROM to the SCSI interface connector that the CD-ROM was connected to.

If DVD-ROM is not replacing a CD-ROM or is an addition to a CD-ROM: daisy-chain the DVD-ROM drive with a custom built SCSI interface cable (not supplied with kit). See *Daisy-Chaining* Section on page 5 for more information.

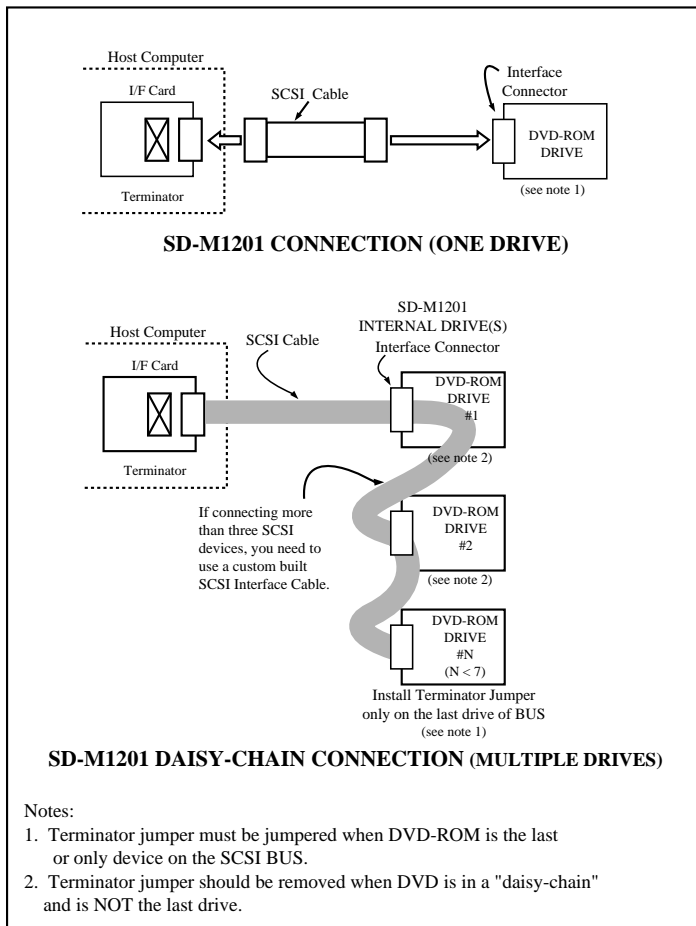
Power Cable - Connect an internal computer power supply cable to the power socket at the back of the DVD-ROM. One side of the plug has chamfered edges, so the power connector fits only one way. Push plug completely into the socket making sure the plug fits correctly.



Audio Cable (optional) - If you have a sound card and speakers, and would like to play audio CDs on your computer, you will need to get a sound cable. Contact AMC, our small parts supplier, at 888/262-9700. Sound cables are made for the sound card you are using and the DVD-ROM to which you are connecting. Make sure you have this information when purchasing a sound cable. The sound cable connects to your sound card at one end and the other end connects to the digital audio connector at the left rear of the DVD-ROM (see DVD-ROM Back Panel photo on page 7 for location). Refer to the instructions which came with your sound card for details on any sound-driver software required. Also refer to the REALmagic Hollywood+ User's guide for additional audio connection options.

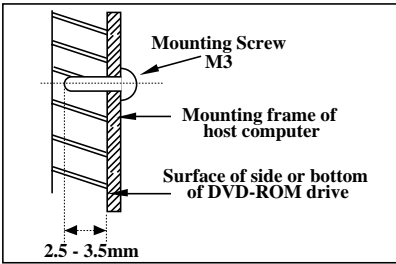


Daisy-Chaining - If the DVD-ROM you are installing is one of two or more SCSI devices you are connecting to your system, you will need to use a custom built SCSI interface cable. Remember that the terminator jumper on the DVD-ROM drive must have the jumper installed when the drive is the last device in the chain.



COMPLETING INSTALLATION

After you have connected all the necessary cables, push the DVD-ROM completely into the computer's drive slot. Mount drive according to your computer's instructions. The screw length should not exceed 3 ± 0.5 mm (measured from outside surface of side or bottom of DVD-ROM to tip of screw). Replace computer cover and all outer screws.



Software Driver: The Toshiba SD-M1202 DVD-ROM Drive is “plug n’ play.” When you apply power to your computer and boot-up, it should recognize the new hardware and prompt you in the installation of the SCSI driver. If you don’t have the SCSI driver, contact your SCSI host adapter board manufacturer. After you have completed installing your DVD-ROM, refer to REALmagic™ User’s Guide to install DVD/MPEG-2 Playback Card.

DVD-ROM FRONT PANEL

The photo illustrates the following features of the SD-M1202 DVD-ROM front panel:



- ① DVD loading tray
- ② Headphone jack
- ③ Volume control
- ④ Busy light
- ⑤ Eject button
- ⑥ Emergency eject hole (insert solid bar into hole, i.e. paper clip, and push until tray opens)

DVD-ROM BACK PANEL

The photo illustrates the following features of the SD-M1202 DVD-ROM back panel:



- ① Analog audio out connector
- ② Mode select jumper
- ③ SCSI interface connector
- ④ Power connector

TECHNICAL SUPPORT

Technical support can be obtained by calling 949/455-0407.

Drivers are available on BBS at 949/837-8864 or on our web site at

<http://www.toshiba.com>

SD-M1201 SPECIFICATIONS	DVD	CD-ROM	
Data Capacity (bytes/block)	2,048	mode 1	mode 2
		2,048	2,336
Rotational Speed (approx. rpm)	2,900	13.8 ~ 32X: 6,900 8.6 ~ 20X: 4,300 (CD-RW) 4 ~ 5.7X: 1,200-2,000 (audio)	
Sustained Data Transfer Rate (kbytes/sec)	2,797 ~	mode 1	mode 2
	6,760	2,069 ~ 4,800	2,360 ~ 5,475
Access Time (Typ.)			
Avg. Random Access	135ms	95ms	
Avg. Random Seek	105ms	90ms	
Avg. Full Stroke Access	230ms	160ms	
Data Buffer	256 kbytes		
Power Supply	+5V, +12V		
Dimensions	146mm x 41.5mm x 193mm (W x H x D)		
Weight	0.98kg		
MTBF	100,000 hours		

FCC DECLARATION OF CONFORMITY

This equipment has been tested and found to comply with the limits for a class B digital device, pursuant to part 15 of the FCC Rules. These limits are designed to provide reasonable protection against harmful interference in a residential installation. This equipment generates, uses and can radiate radio frequency energy, and if not installed and used in accordance with the instructions, may cause harmful interference to radio communications. However, there is no guarantee that interference will not occur in a particular installation. If this equipment does cause harmful interference to radio or television reception, which can be determined by turning the equipment off and on, the user is encouraged to try to correct the interference by one or more of the following measures:

- Re-orient or relocate the receiving antenna.
- Increase the separation between the equipment and receiver.
- Connect the equipment into an outlet on a circuit different from that to which the receiver is connected.
- Consult the dealer or an experienced radio/TV technician for help.

This equipment has been certified to comply with the limits for a class B computing device, pursuant to FCC Rules. In order to maintain compliance with FCC regulations, shielded cables must be used with this equipment. Operation with non-approved equipment or unshielded cables is likely to result in interference to radio and TV reception. The user is cautioned that changes and modifications made to the equipment without the approval of the manufacturer could void the user's authority to operate this equipment.

LASER CAUTION

This appliance contains a laser system and is classified as a "CLASS 1 LASER PRODUCT." To use this model properly, read this Owner's Manual carefully and keep this manual for future reference. In case of any trouble with this model, please contact your nearest "Authorized Repair Center." *To prevent direct exposure to the laser beam, do not try to open the enclosure.*



P/N 460015-A0

Free Manuals Download Website

<http://myh66.com>

<http://usermanuals.us>

<http://www.somanuals.com>

<http://www.4manuals.cc>

<http://www.manual-lib.com>

<http://www.404manual.com>

<http://www.luxmanual.com>

<http://aubethermostatmanual.com>

Golf course search by state

<http://golfingnear.com>

Email search by domain

<http://emailbydomain.com>

Auto manuals search

<http://auto.somanuals.com>

TV manuals search

<http://tv.somanuals.com>