

## TECHNO RAINBOW FULL COLOR LED DISPLAY SYSTEM

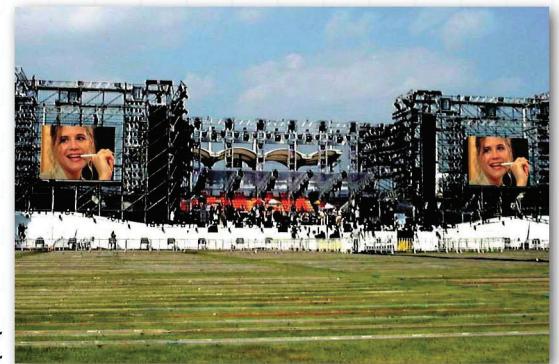
### 15mm INDOOR/OUTDOOR LED DISPLAY

- ▶ Designed to Create Maximum Impact Indoors and Outdoors
- ▶ Can Be Used for Event and Permanent Installations
- ▶ 15 mm Pixels Provide Brilliant Images and Vivid Color

**PORTABLE • STACKABLE • LOW POWER • LIGHTWEIGHT  
VERSATILE • SIMPLIFIED CABLING • EASY MAINTENANCE**



Modular indoor



Modular outdoor

#### ▶ MODULE SPECIFICATIONS

<b>Application</b>	Indoor/Outdoor
<b>LED Pixels</b>	15 mm Pitch; Oval Lamp; 1R2G1B LEDs
<b>Brightness</b>	5,000 cd/mm <sup>2</sup>
<b>Display Colors</b>	Approximately 1 Billion Colors
<b>Image Depth</b>	Approximately 1,024 Steps
<b>Viewing Angle</b>	160° Horizontal, 15° to 45° Vertical
<b>Pixel Number</b>	32 Horizontal x 32 Vertical
<b>Display Size</b>	480 x 480 mm (18.9 x 18.9 in.)
<b>Weight</b>	12.5 kg (27.6 lbs.)
<b>Power Consumption</b>	230 W (100%)
<b>Power Supply</b>	AC 100~240 V, Single-Phase



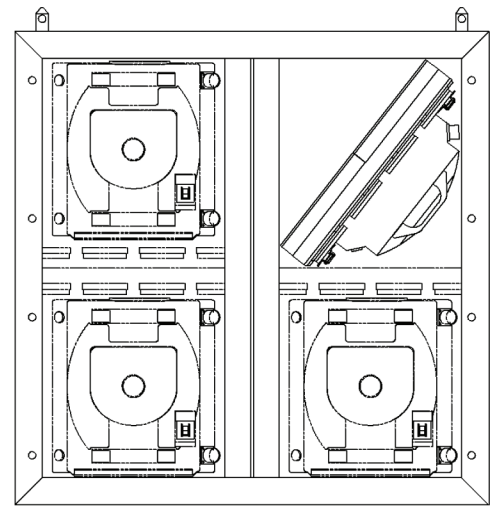
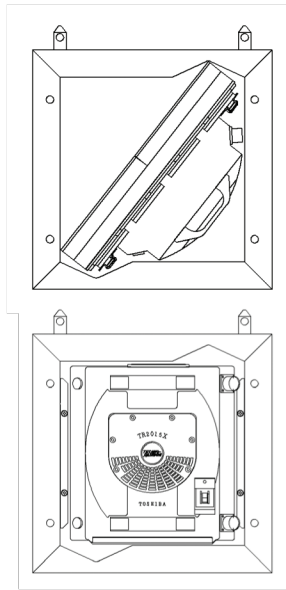
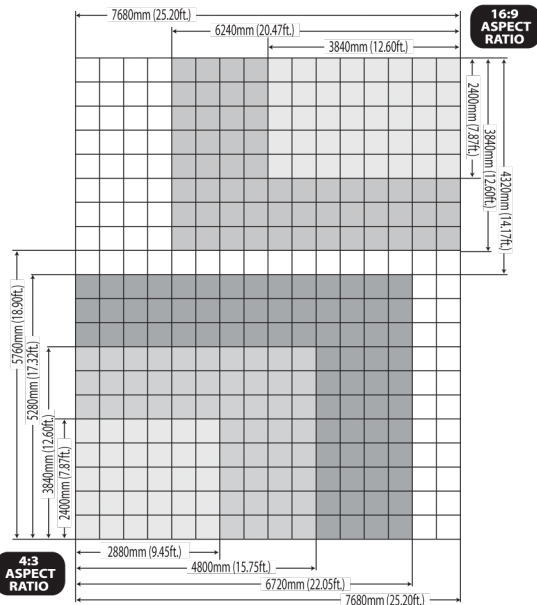
Big screen solutions  
for the 21st Century

## TECHNO RAINBOW FULL COLOR LED DISPLAY SYSTEM

### POSSIBLE SCREEN SIZE EXAMPLES

INCH DIAGONAL	H x V (mm)		H x V (ft.)		PIXELS H x V		SCREEN AREA (m <sup>2</sup> ) (ft. <sup>2</sup> )		NUMBER OF MODULES H x V		TOTAL MODULES	ASPECT RATIO	POWER (Watts) Max / Average	WEIGHT Kg Lbs	
	H	V	H	V	H	V	H	V	H	V				Kg	Lbs
26.7	480	480	1.57	1.57	32	32	0.23	2.5	1	1	1	1.00:1(4:3)	230/80	12.5	27.6
148	2,880	2,400	9.45	7.87	192	160	6.91	74.4	6	5	30	1.20:1(4:3)	6,900/2,400	375	828
178	3,840	2,400	12.60	7.87	256	160	9.22	99.2	8	5	40	1.60:1(16:9)	9,200/3,200	500	1,104
237	5,280	2,880	17.32	9.45	352	192	15.21	163.7	11	6	66	1.83:1(16:9)	15,180/5,280	825	1,821
242	4,800	3,840	15.75	12.60	320	256	18.43	198.4	10	8	80	1.25:1(4:3)	18,400/6,400	1,000	2,208
288	6,240	3,840	20.47	12.60	416	256	23.96	257.9	13	8	104	1.62:1(16:9)	23,920/8,320	1,300	2,870
283	5,760	4,320	18.90	14.17	384	288	24.88	267.8	12	9	108	1.33:1(4:3)	24,840/8,640	1,350	2,980
347	7,680	4,320	25.20	14.17	512	288	33.18	357.1	16	9	144	1.77:1(16:9)	33,120/11,520	1,800	3,974
336	6,720	5,280	22.05	17.32	448	352	35.48	381.9	14	11	154	1.27:1(4:3)	35,420/12,320	1,925	4,249
378	7,680	5,760	25.20	18.90	512	384	44.24	476.2	16	12	192	1.33:1(4:3)	44,160/15,360	2,400	5,298
415	9,120	5,280	29.92	17.32	608	352	48.15	518.3	19	11	209	1.72:1(16:9)	48,070/16,720	2,613	5,767
472	9,600	7,200	31.50	23.62	640	480	69.12	744.0	20	15	300	1.33:1(4:3)	69,000/24,000	3,750	8,278
484	7,680	9,600	25.20	31.50	512	640	73.73	793.6	16	20	320	0.8:1-	73,600/25,600	4,000	8,830
605	12,000	9,600	39.37	31.50	800	640	115.20	1,240.0	25	20	500	1.25:1(4:3)	115,000/40,000	6,250	13,797
762	16,800	9,600	55.12	31.50	1,120*	640*	161.28	1,736.0	35	20	700	1.75:1(16:9)	161,000/56,000	8,750	19,316

\* TR2015X supports up to 16 columns x 20 rows by one TRCL1050 + without accessories

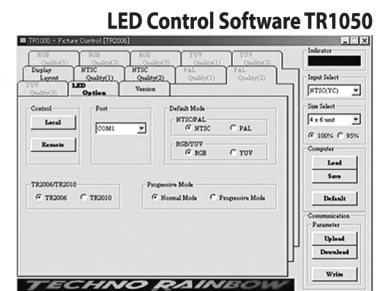


### IMAGE PROCESSING SYSTEM SPECIFICATIONS

<b>Input Signal</b>	HD-SDI/STD-SDI/DVI-D (progressive only; looping)
<b>Output Signal</b>	100base-T (TR-link original) (100m max.) Up to 1024 x 768 pixels, 1.0 frame delay
<b>Control</b>	Screen configuration Screen ON/OFF, Brightness, Test Pattern Input Signal, Color Preset, Scaling 25% ~ 200%
<b>Dimension</b>	430mm(17")W x 100mm(4")H (2U)
<b>Power Supply</b>	AC100V ~ 240V single phase



TRCL1050



**JAPAN HEADQUARTERS**  
**Display Media Overseas Department**  
 Tokyo, Japan  
 PHONE: +81-42-335-6715  
 FAX: +81-42-354-3488  
 E-MAIL: technorainbow@technorainbow.com

**NORTH AMERICAN HEADQUARTERS**  
**Toshiba International Corp.**  
 Houston, Texas, USA  
 PHONE: (800) 231-1412  
 FAX: (713) 466-8773  
 www.toshiba.com  
 E-MAIL: LEDsales@tic.toshiba.com

**EUROPEAN SALES**  
**Display Knowledge**  
 Somerset, United Kingdom  
 PHONE: + 44 1458 253250  
 E-MAIL: info@displayknowledge.com

## Free Manuals Download Website

<http://myh66.com>

<http://usermanuals.us>

<http://www.somanuals.com>

<http://www.4manuals.cc>

<http://www.manual-lib.com>

<http://www.404manual.com>

<http://www.luxmanual.com>

<http://aubethermostatmanual.com>

Golf course search by state

<http://golfingnear.com>

Email search by domain

<http://emailbydomain.com>

Auto manuals search

<http://auto.somanuals.com>

TV manuals search

<http://tv.somanuals.com>