

# TOSHIBA

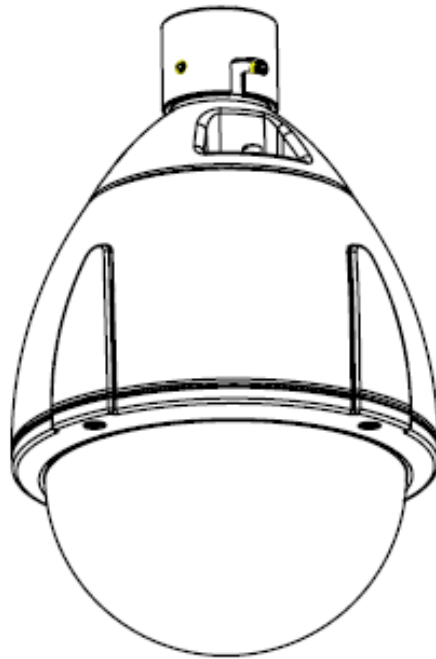
Leading Innovation >>>

## NETWORK CAMERA

### Model: IK-WP41A

## Quick Start Guide and Important Safeguards

This guide describes the hardware installation.



Refer to the user's manual (PDF file) contained in the CD-ROM for settings, operations and other information.

The application Adobe Reader is needed to view PDF files. If you do not have this application, download it from the Adobe Systems Incorporated website.

■ <http://www.adobe.com/>

For information on our latest products and peripheral devices, refer to the following Website:

■ <http://www.toshibasecurity.com>

If the URL changes, refer to the Toshiba website (<http://www.toshiba.com>).

# Introduction

## FCC (USA)-INFORMATION

**NOTE:** This equipment has been tested and found to comply with the limits for a Class A digital device, pursuant to Part 15 of the FCC Rules.

These limits are designed to provide reasonable protection against harmful interference when the equipment is operated in a commercial environment. This equipment generates, uses, and can radiate radio frequency energy and, if not installed and used in accordance with the instruction manual, may cause harmful interference to radio communications. Operation of this equipment in a residential area is likely to cause harmful interference in which case the user will be required to correct the interference at his own expense.

**USER-INSTALLER CAUTION:** Your authority to operate this FCC verified equipment could be voided if you make changes or modifications not expressly approved by the party.

This device complies with Part 15 of the FCC Rules. Operation is subject to the following two conditions:

- (1) This device may not cause harmful interference, and
- (2) this device must accept any interference received, including interference that may cause undesired operation.

This Class A digital apparatus complies with Canadian ICES-003.  
Cet appareil numérique de la classe A est conforme à la norme NMB-003 du Canada

Thank you for purchasing the IK-WP41A Network Camera. Before using the camera, read this quick start guide carefully to ensure correct usage. After reading this quick start guide, save it for future reference.

The design, specifications, software, and quick start guide contents are subject to change without prior notice.

### **Terms and Trademarks**

- The term "OS" is used in this manual to indicate operating systems compatible with this product.
  - Windows XP: Microsoft Windows XP operating system
  - Windows Vista: Microsoft Windows Vista Business operating system
  - Windows 7: Microsoft Windows 7 Professional operating system
- The formal name of Windows is Microsoft Windows Operating System.
- Microsoft, Windows and Windows Vista are trademarks or registered trademarks of Microsoft Corporation in the United States and other countries.
- Intel and Intel Core are trademarks or registered trademarks of Intel Corporation or its subsidiaries in the United States and other countries.
- Adobe is a registered trademark and Adobe Reader is a trademark of Adobe Systems Incorporated.
- Other product names appearing in this quick start guide may be trademarks or registered trademarks of their respective holders.

### **NOTE**

The performance of the network camera may vary depending on the network environment.

# Table of Contents

|  |    |
|--|----|
| Introduction .....   | 1  |
| FCC (USA)-INFORMATION.....                                   | 1  |
| Important Safeguards.....                                    | 4  |
| Important Safeguards (Cont.) .....                           | 6  |
| Notes on Use and Installation.....                           | 7  |
| Setting the Network Camera Environment .....                 | 8  |
| Package Contents .....                                       | 9  |
| Physical Description .....                                   | 9  |
| Hardware Installation.....                                   | 10 |
| 1. Packing material, Silica-gel and micro SD/SDHC Card ..... | 10 |
| 2. Install to the mounting bracket .....                     | 12 |
| 2.1 Wall Mount (JK-WM41A).....                               | 12 |
| 2.2 Wall Mount With Electrical Box (JK-WMB41A) .....         | 14 |
| 3. Cable connection.....                                     | 17 |
| Network Deployment.....                                      | 19 |
| Log-in Screen .....  | 21 |
| Retrieving Images.....                                       | 22 |

# Important Safeguards

## 1. Read Instructions

Read all the safety and operating instructions before operating the product.

## 2. Retain Instructions

Retain the safety instructions and user's manual for future reference.

## 3. Warnings

Comply with all warnings on the product and in the user's manual.

## 4. Follow Instructions

Follow all operating and use instructions.

## 5. Cleaning

Disconnect this camera from the power supply before cleaning.

## 6. Attachments

Do not use attachments not recommended by the camera manufacturer as they may pose safety risks.

## 7. Accessories

Do not place this camera on an unstable cart, stand, tripod, bracket or table. The camera may fall, causing serious injury to a person, or serious damage to the product. Use only with stand, tripod, bracket, or table recommended by the manufacturer, or sold with the camera. Any mounting of the product should follow the manufacturer's instructions, and should use a mounting accessory recommended by the manufacturer.

## 8. Ventilation

This camera should never be placed near or over a radiator or heat register. If this product is placed in a built-in installation, verify that there is proper ventilation so that the camera temperature operates within the recommended temperature range.

## 9. Power Sources

This camera should be operated only from the type of power source indicated on the information label. If you are not sure of the type of power supply at your location, consult your product dealer.

## 10. Power-Cord Protection

Power cords should be routed so that they are not likely to be walked on or pinched by items placed upon or against them. Pay particular attention to cords at plugs, screws and the point where they exit the product.

## 11. Installation

Install this camera on a secure part of the ceiling or wall. If installed on an unsecured location, the camera could fall causing injury and damage.

## **12. Lightning**

For additional protection on this camera during a lightning storm, or when it is left unattended and unused for long periods of time, unplug it from the wall outlet and disconnect the power supply and cable system. This will prevent damage to the camera due to lightning and power-line surges. If lightning occurs, do not touch the unit or any connected cables in order to avoid electric shock.

## **13. Overloading**

Do not overload the power supply or extension cords as this can result in a risk of fire or electric shock.

## **14. Object and Liquid Entry**

Never push objects of any kind into this camera through openings as they may touch dangerous electrical points or short-out parts that could result in a fire or electrical shock. Never intentionally spill liquid of any kind on the camera.

## **15. Servicing**

Do not attempt to service this camera yourself as opening or removing covers may expose you to dangerous electrical or other hazards. Refer all servicing to qualified service personnel.

## **16. Damage Requiring Service**

Disconnect this camera from the power supply and refer servicing to qualified service personnel under the following conditions.

- a. When the power-supply cord or plug is damaged.
- b. If liquid has been spilled, or objects have fallen into the camera.
- c. If the camera has been submerged in water.
- d. If the camera does not operate normally by following the operating instructions in the user's manual. Adjust only those controls that are covered by the user's manual as an improper adjustment of other controls may result in damage and will often require extensive work by a qualified technician to restore the camera to its normal operation.
- e. If the camera has been dropped or the cabinet has been damaged.
- f. When the camera exhibiting a distinct change in performance which indicates a need for service.
- g. Other trouble.

## **17. Replacement Parts**

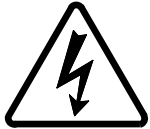
When replacing parts, be sure the service technician uses parts specified by the manufacturer or have the same characteristics as the original part. Unauthorized substitutions may result in fire, electric shock or other hazards.

## **18. Safety Check**

Upon completion of any service or repairs to this camera, ask the service technician to perform safety checks to determine that the camera is in proper operating condition.

# Important Safeguards (Cont.)

CAUTION TO REDUCE THE RISK OF ELECTRIC SHOCK.  
DO NOT REMOVE COVER. NO USER SERVICEABLE PARTS INSIDE. REFER  
SERVICING TO QUALIFIED SERVICE PERSONNEL.



The lightning flash with arrowhead symbol, within an equilateral triangle, is intended to alert the user to the presence of uninsulated "dangerous voltage" within the product's enclosure that may be of sufficient magnitude to constitute a risk of electric shock to persons.



The exclamation point within an equilateral triangle is intended to alert the user to the presence of important operating and maintenance(servicing) instructions in the literature accompanying the appliance.

## **WARNING:**

TO REDUCE THE RISK OF FIRE OR ELECTRIC SHOCK, DO NOT SUBMARGE THIS CAMERA IN WATER.

## **FIELD INSTALLATION MARKING:**

WORDED: "THIS INSTALLATION SHOULD BE MADE BY A QUALIFIED SERVICE PERSON AND SHOULD CONFORM TO ALL LOCAL CODES."

## **NOTICE**

- The product is intended to be supplied by a Listed Power Unit marked "Class 2" or "L.P.S." (or "Limited Power Source") and rated output 24Vac, 50-60Hz, 2.25A minimum or 48Vdc, 0.6A minimum.
- The product shall be installed by a qualified service person and the installation shall conform to all local codes.
- The product is to be connected to only PoE networks without routing to the outside plant.

# Notes on Use and Installation

- **Do not aim the camera at the sun**

Never aim the camera at the sun even with the camera power off.

- **Do not shoot intense light**

Intense light such as a spotlight may cause a bloom or smear. A vertical stripe may appear on the screen. However, this is not a malfunction.

- **Treat the camera with care**

Dropping or subjecting the camera to intense vibration may cause it to malfunction.

- **Never touch internal parts**

Do not touch the internal parts of the camera other than the parts specified.

- **Do not submerge in water**

The camera has some protection to water (see IP rating), and can be used indoors or outdoors. If the camera was submerged in water, turn off the power and contact your dealer.

- **Keep the camera installation away from video noise**

If cables are wired near electric lighting wires or a TV set, noise may appear in images. In this event relocate cables or reinstall equipment.

- **Check the ambient temperature and humidity**

Avoid using the camera where the temperature is hotter or colder than the specified operating range. Doing so could affect the internal parts or cause the image quality to deteriorate. Special care is required to use the camera at high temperature and humidity.

- **Should you notice any trouble**

If any trouble occurs while you are using the camera, turn off the power and contact your dealer. If you continue to use the camera when there is something wrong with it, the trouble may get worse and an unpredictable problem may occur.



# Setting the Network Camera Environment

## Items needed for network camera monitoring

- **Administrator's personal computer**

The personal computer that allows setting, operating, monitoring and other functions with the network camera is called the "administrator's personal computer" in this guide.

The personal computer for viewing monitored images is called the "user's personal computer" in this guide. The network camera can be viewed by more than one personal computer at the same time.

- **Recommended personal computer system requirements:**

- Windows® XP, Windows Vista® Business, or Windows® 7 professional.
- Internet Explorer® Ver 8.0 and 9.0
- CPU: Intel® Core2 Duo 2.5GHz or greater
- Memory: DDR2 2GB RAM or greater

- **Connection equipment such as CAT5e LAN cables, and switch or router.**

- The LAN cable type differs depending on the connection method.

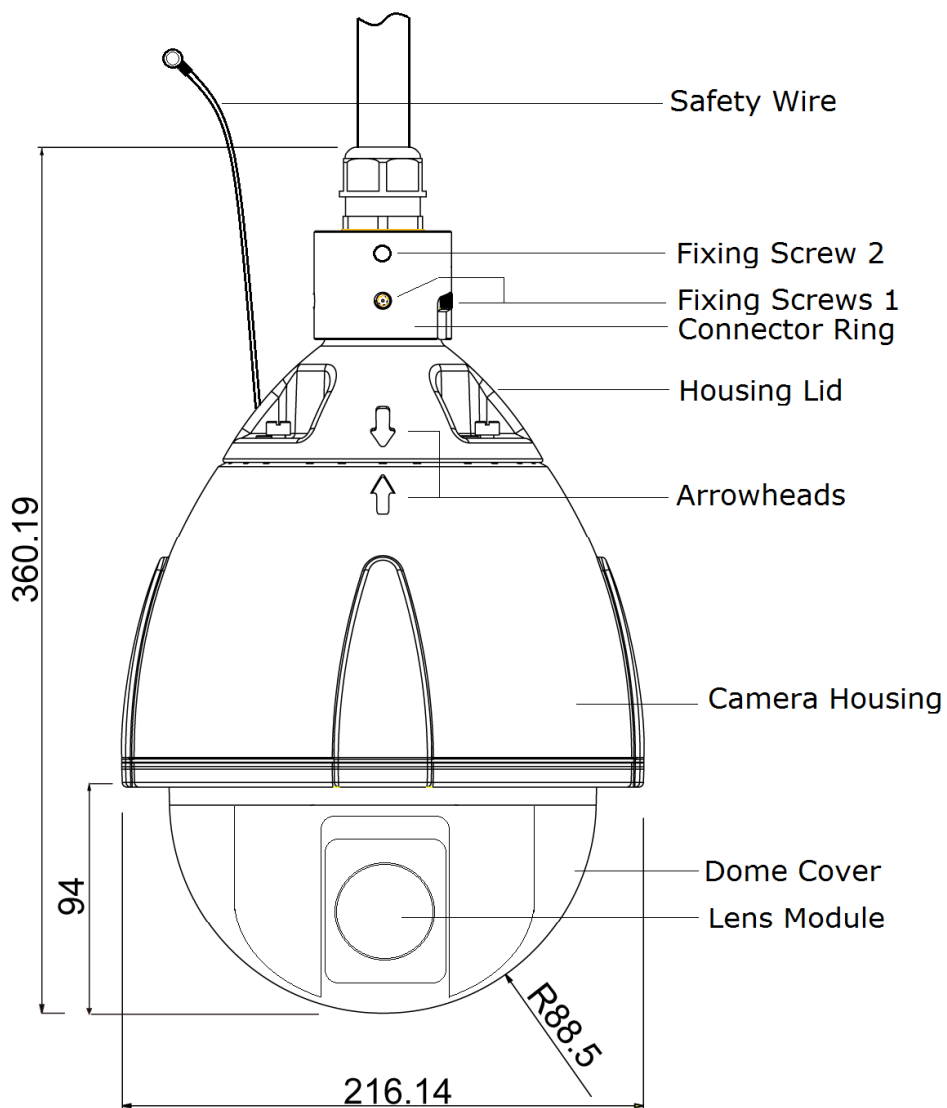
- **Camera search application "IP Camera Finder"**

- Install this application from the CD-ROM supplied as an accessory (Double-click "Setup.exe" in the CD-ROM and install the application by following the onscreen instructions.)
- This application is the tool to discover the IP address of a camera. Using this application, the IP address of a camera can be easily determined.

# Package Contents

- IK-WP41A ---- 1
- Allen wrench ---- 1
- Torx wrench ---- 1
- Screw (1/4-20UNC, 12mm) ---- 1
- RJ45 Coupler ---- 1
- Silica-gel ---- 1
- CD-ROM ---- 1
- Quick Start guide and Important Safeguards ---- 1
- Warranty ---- 1

# Physical Description



Unit: mm

# Hardware Installation

First, use the supplied torx wrench to detach the dome cover from the camera housing. Then, follow the steps below to install the camera.

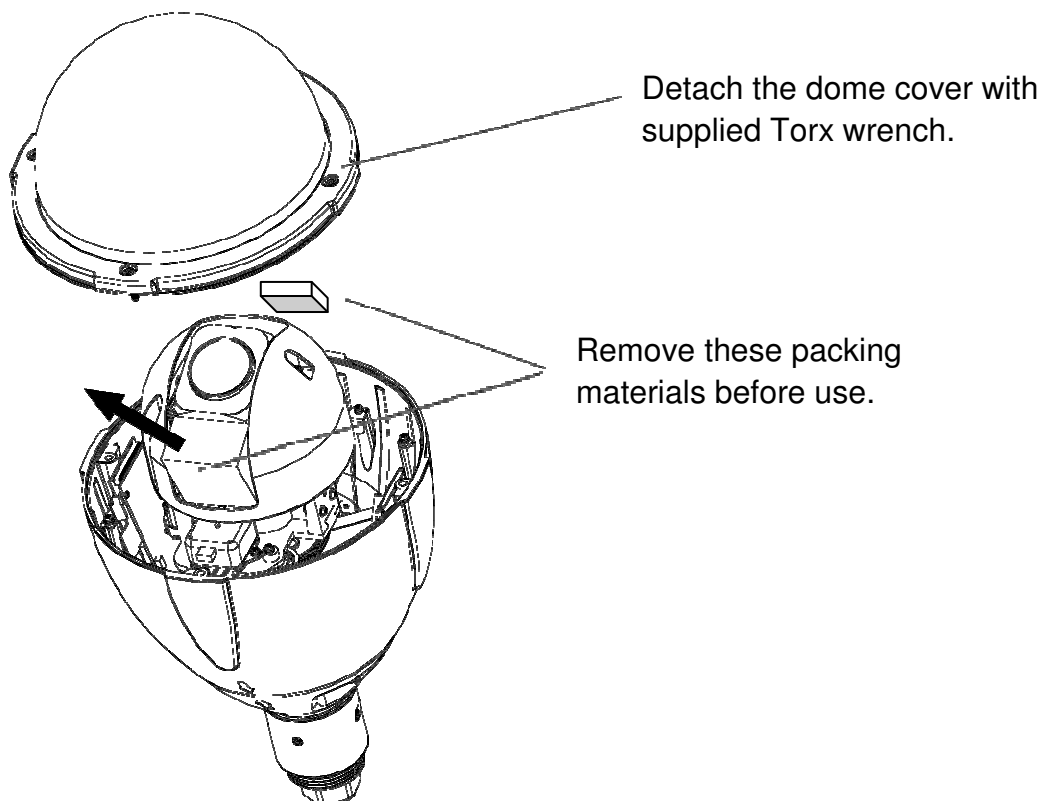
**NOTE:** Installation should be done only by qualified personnel and conform to all local codes.

The supplied torx wrench is exclusively designed to match the dome cover screws. Don't discard the torx wrench

## 1. Packing material, Silica-gel and micro SD/SDHC Card

### 1.1 Packing material

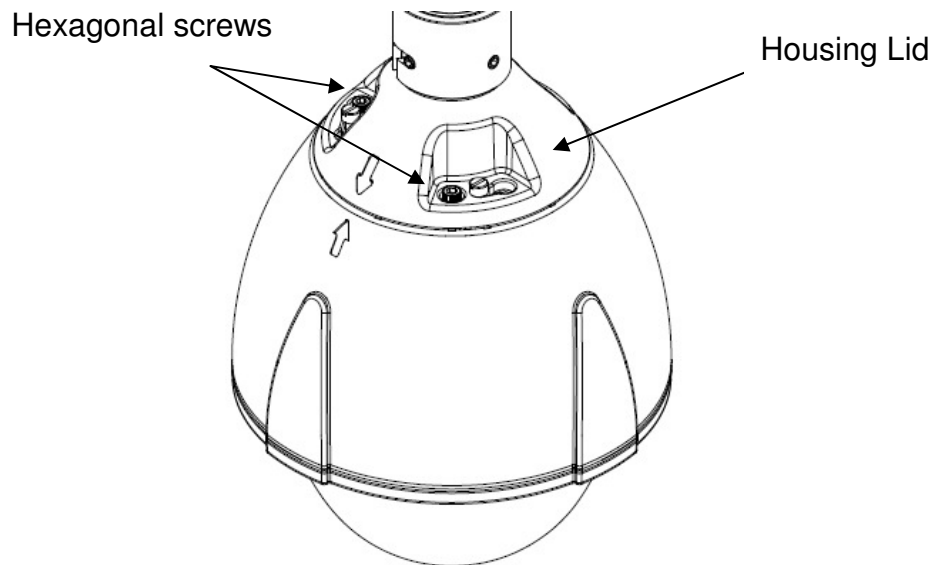
Two packing materials on the lens module are for shipping only. Remove before use. After that, attach this dome cover once again.



### 1.2 Attach a supplied silica-gel

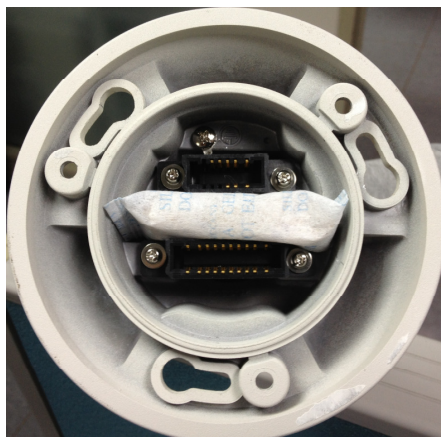
#### (1) Remove a housing lid

Remove three hexagonal screws by supplied Allen wrench. And rotate housing head in clockwise direction. You can detach housing lid.



### (2) Attach a silica-gel

Get out the supplied silica-gel from the aluminum foil bag, and set it as attached image.



#### NOTE:

Treat silica-gel bag with care, Don't tear the silica-gel package.

#### WARNING:



**Keep the silica-gel out of the reach of babies, infants, and children.  
DO NOT EAT, HARMFUL IF SWALLOWED**

### (3) Attach a housing Lid

Taking note of the arrowhead, attach a housing lid. Rotate counterclockwise, arrows are united. Both arrowheads are faced, secure the three hexagonal screws with supplied Allen wrench.

### 1.3 Micro SD/SDHC card installation

Refer to 11 pages of a user's manual in the CD-ROM.

## 2. Install to the mounting bracket

IK-WP41A supports several mounting brackets like pendant mount, wall mount, etc. Select an appropriate bracket according to your location, and purchase separately.

Here are major instance of installation. For more information about accessories, visit [www.toshibasecurity.com](http://www.toshibasecurity.com).

### 2.1 Wall Mount (JK-WM41A)

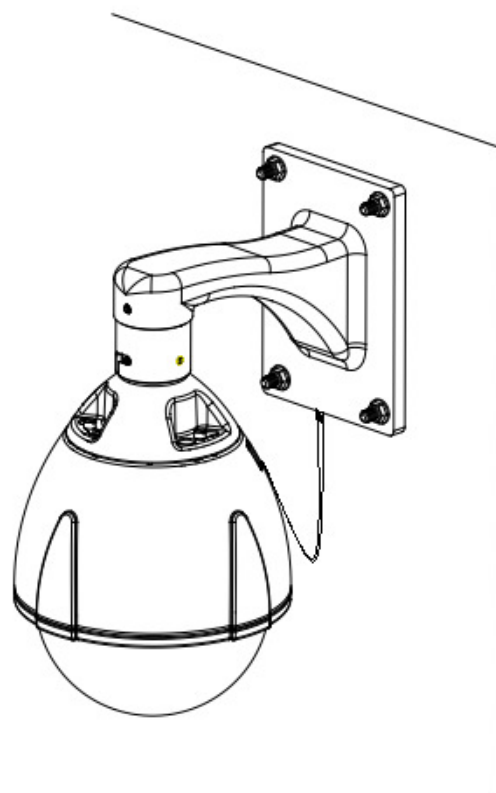
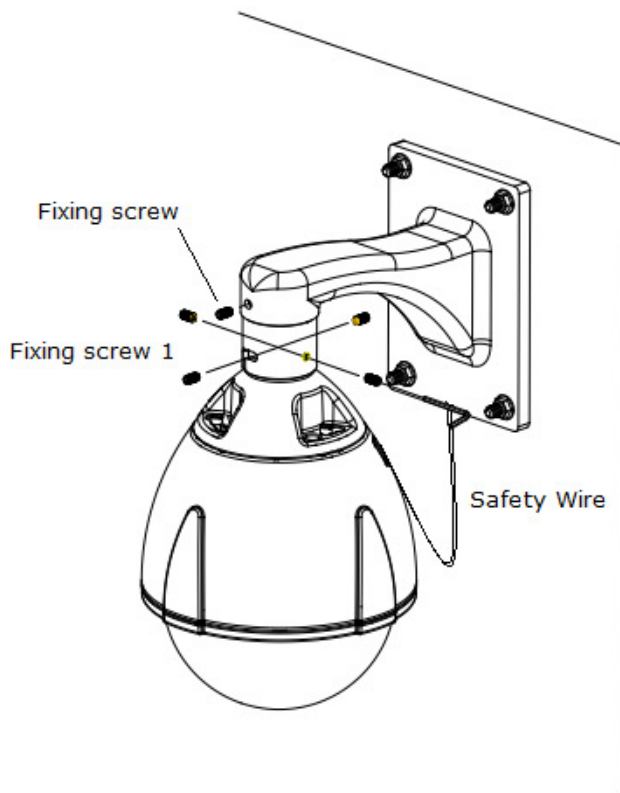
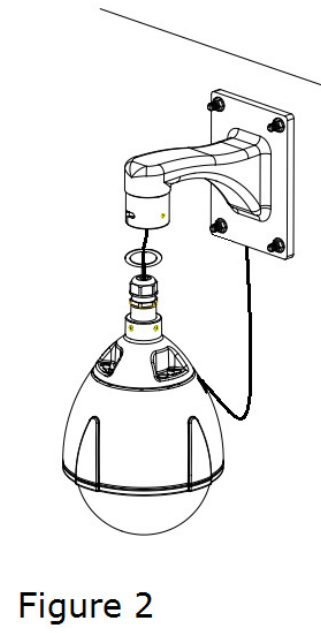
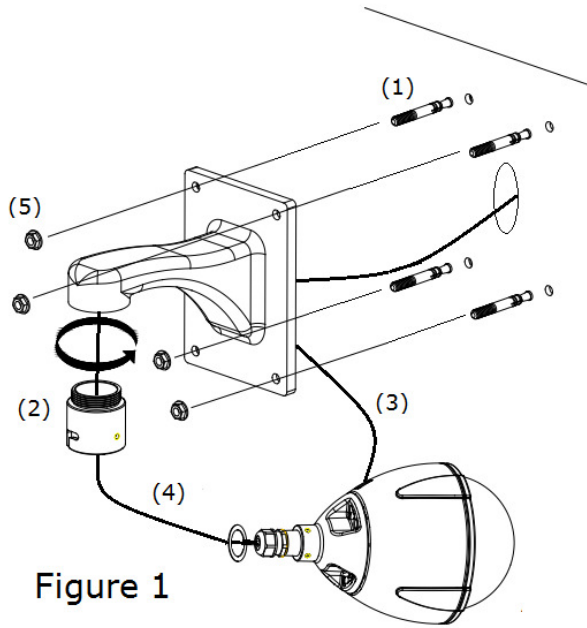
- A) Drill 4 holes on the wall matching the mount holes on the plate.  
Diameter  $\phi 3/8$ " (9.5mm), depth 1/1/2" (39mm).
- B) Hammer 4 anchor bolts(not supplied) into the holes and secure them. (1) of Figure 1
- C) Secure the connector ring of the accessory to this bracket in the clockwise direction. (2) of Figure 1
- D) Secure the safety wire to the screw hole on the back side of bracket. You need to fix the wire with appropriate M4 screw and washer (not supplied). (3) of Figure 1
- E) Remove the original connector ring of the camera, and thread the cabling of the camera through the short aluminum tube and push the cables out to the wall. (4) of Figure 1
- F) Secure this bracket to the wall with hex nuts and wrench (not supplied). (5) of Figure 1
- G) Connect the camera to the connector ring in the clockwise direction. (Figure 2)
- H) Use torx wrench to secure the attached fixing screw 1 to the connector ring. Use allen wrench to secure the fixing screw to the bracket. This allen wrench is supplied in the bracket (Figure 3)
- I) Installation completed.(Figure 4)

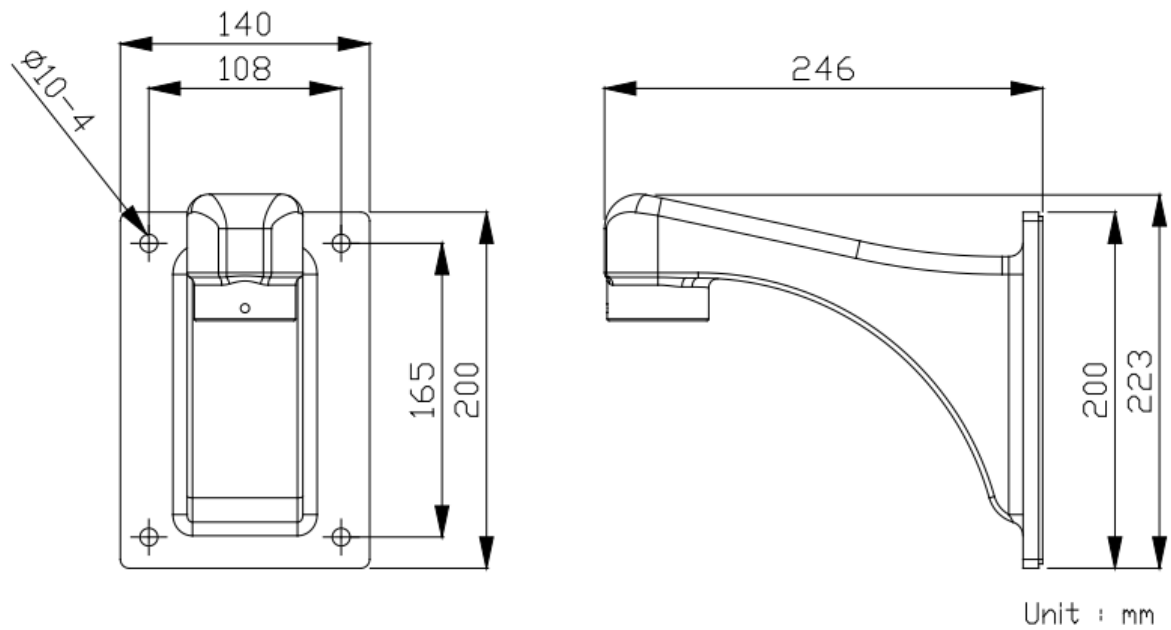
#### NOTE:

- When drilling the hole, please make sure the wall thickness is greater than 50mm in order to maintain its structural integrity.

#### Warning:

- The safety wire must be connected to the camera and wall mount bracket. This will avoid personal hazards if the unit falls from its installation. When installing the camera, please secure the safety wire to the screw holes on the bracket.
- Make sure there are no damaged parts during assembly.





External View

## 2.2 Wall Mount With Electrical Box (JK-WMB41A)

- A) Drill 4 holes on the wall matching the mount holes on the plate.  
Diameter  $\phi 3/8$ " (9.5mm), depth 1/1/2" (39mm)
- B) Hammer 4 anchor bolts (not supplied) into the holes and secure them. (Figure 1)
- C) Secure the electrical box to the wall with hex nuts and wrench (not supplied). (Figure 2)
- D) Loosen the screws of the lid with a supplied torx wrench in the bracket. (Note: Leave in a lower right screw shown in Figure 2.)
- E) Remove the connector ring of the camera, and secure this ring to the U tube.  
Thread the cabling of the camera through the U tube and push the cables out to the electrical box.  
Connect the camera to the connector ring in the clockwise direction. Then secure the fixing screws 1 and 2 to the connector ring with a supplied torx wrench. (Figure 3)
- F) After all cables are connected; please make sure the cables are properly fitted to avoid water leaks.
- G) Secure the safety wire to position C in Figure 1 with supplied screw. And return the lid to original position and secure the screws of the lid with a supplied torx wrench. (Figure 4)
- H) Installation completed (Figure 5).

### NOTE:

- When drilling the hole, please make sure the wall thickness is greater than 2" (50mm) in order to maintain its structural integrity.

**Warning:**

- The safety wire must be connected to the camera and wall mount bracket. This will avoid personal hazards if the unit falls from its installation. When installing the camera, secure the safety wire to the screw holes on the bracket.
- Make sure there are no damaged parts during assembly.

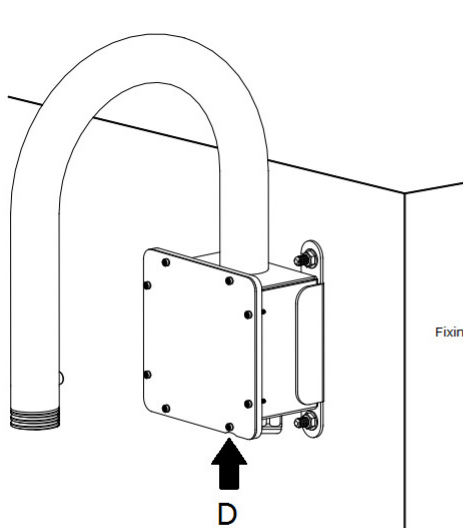
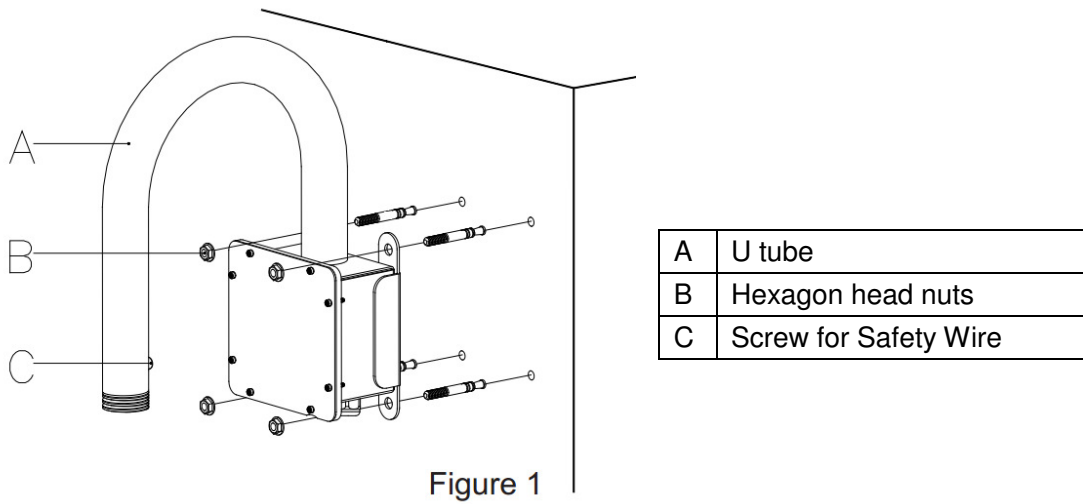


Figure 2

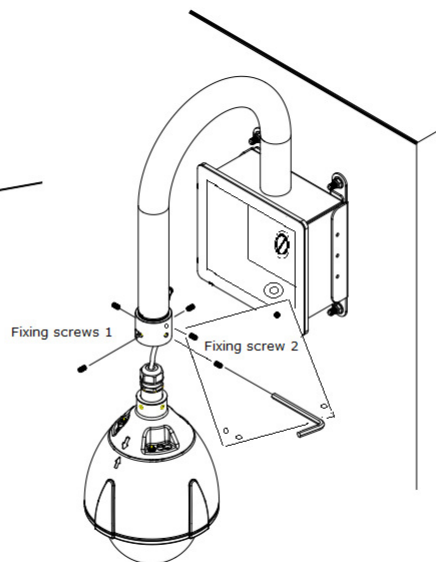


Figure 3

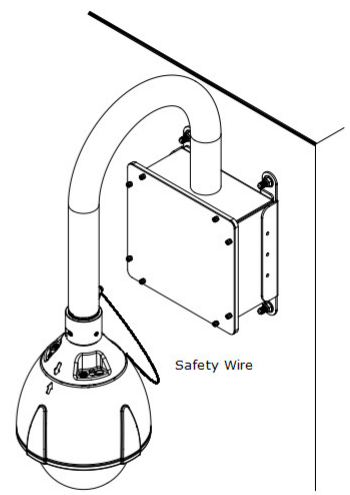


Figure 4



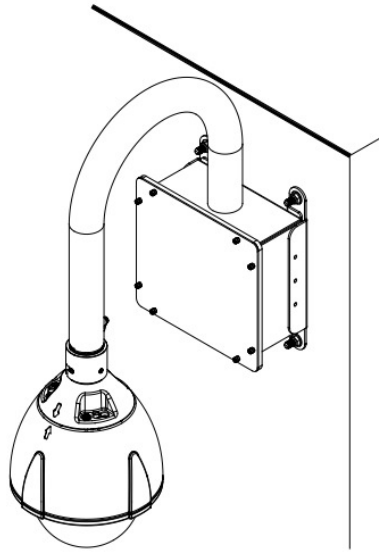
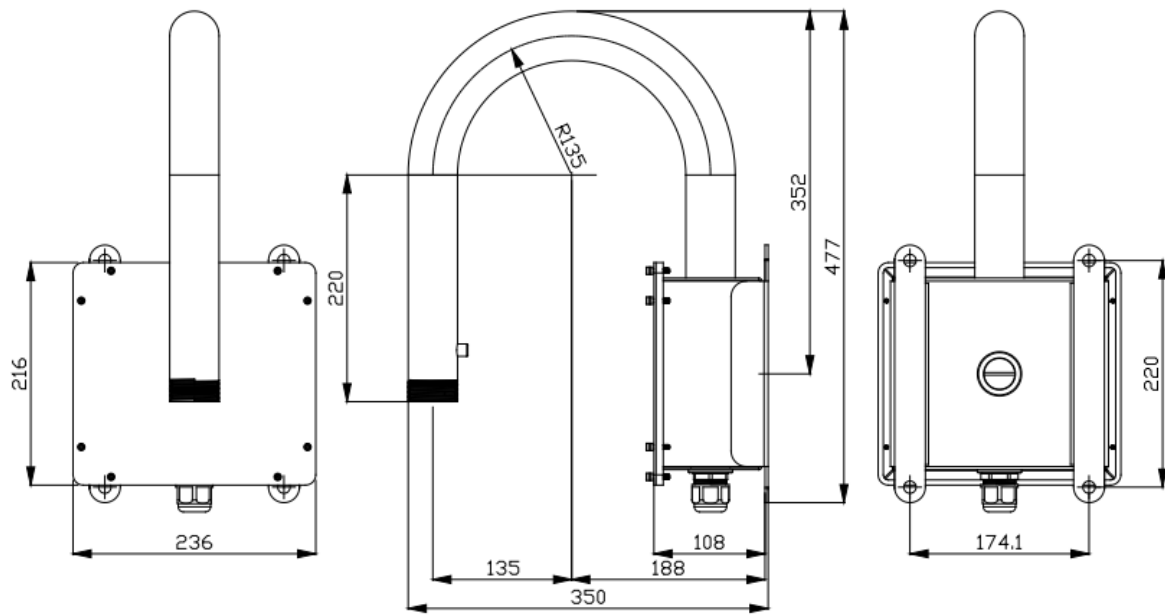


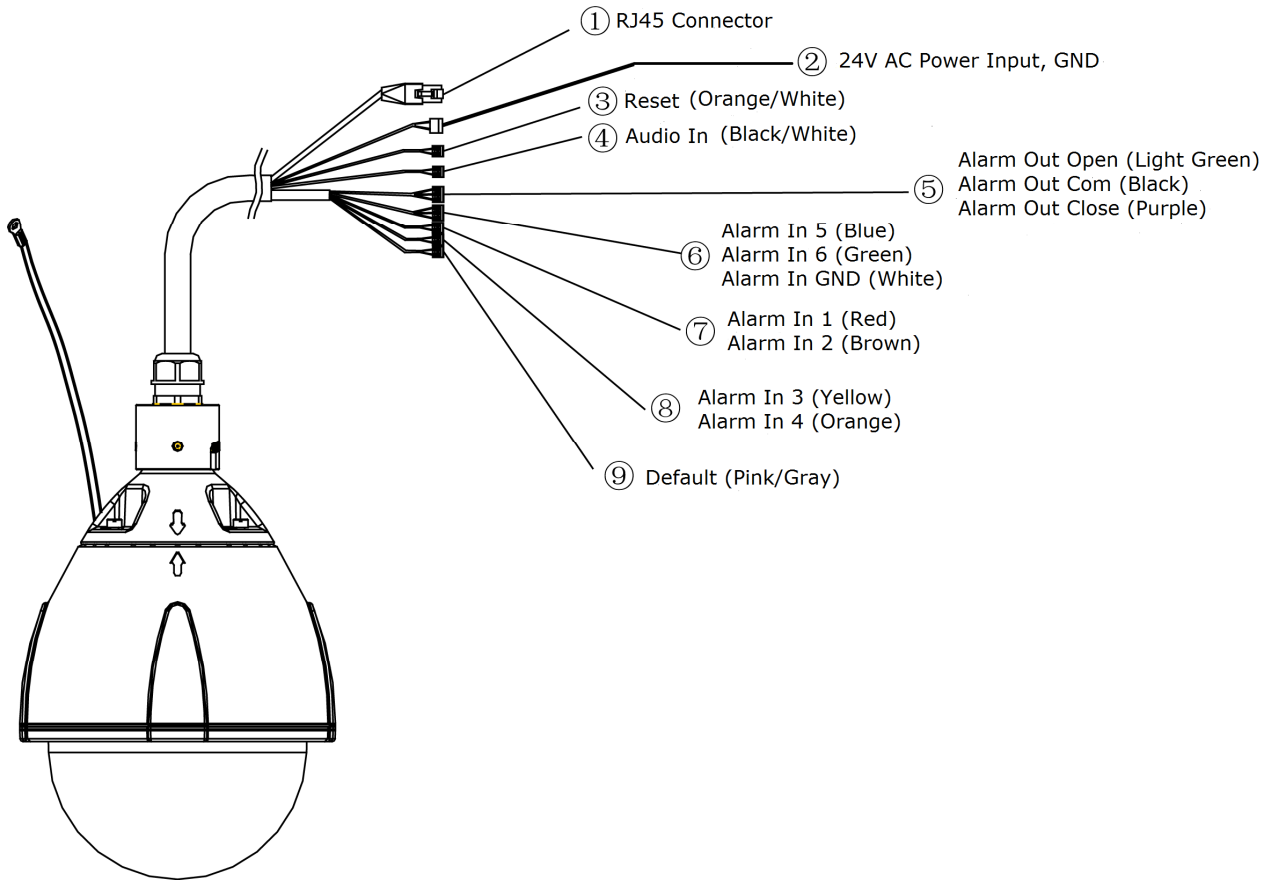
Figure 5



Unit : mm

External View

### 3. Cable connection



| No. | Connector   | Descriptions  |
|-----|---|---|
| 1   | RJ-45 Connector                                   | For Ethernet connection. Connects this port to the LAN port of Ethernet switch via supplied coupler.  |
|     |   | Supporting PoE+, this port can connect to the PoE+ switch or PoE+ injector.   |
| 2   | 24V AC Power Input(Black/White) and Ground(Green) | Connect the power terminals to a 24V AC power supply and ground the green wire.   |
| 3   | Reset (Orange/White)                              | Using a pointed object, short both terminals to restart the camera.   |
| 4   | Audio In (Black/White)                            | Connect to an external microphone to this terminal. (White: signal, Black:GND)  |
| 5   | Alarm Out Open (Light Green)                      | Connect to device that responds to alarm signals. "Com" and "Close" terminals are switched ON normally, and "Com" and "Open" terminals are switched ON when Alarm is triggered. |
|     | Alarm Out Com (Black)                             |   |
|     | Alarm Out Close (Purple)                          |   |

|   |                      |  |
|---|----------------------|--|
| 6 | Alarm In 5 (Blue)    | Connect to device that responds to alarm signals.  |
|   | Alarm In 6 (Green)   |  |
|   | Alarm In GND (White) |  |
| 7 | Alarm In 1 (Red)     | Connect to device that triggers alarm signals.   |
|   | Alarm in 2 (Brown)   |  |
| 8 | Alarm In 3 (Yellow)  | Connect to device that triggers alarm signals.   |
|   | Alarm in 4 (Orange)  |  |
| 9 | Default (Pink/Gray)  | Using a pointed object, short both terminals for about 5 seconds to restart the camera to the factory default. |

### 3.1 Connect the camera to a power source, using one of the following options:

- **24V AC:** Connect the power terminals to 24V AC power source.
- **PoE+ (IEEE802.3at):** The camera is PoE+ compliant, allowing transmission of power and data via single LAN cable. Using a CAT5e Ethernet cable, connect to the LAN port of a PoE+ network switch or power injector.

#### Operating environment:

- 24V AC : -30 °C ~ +50 °C {-22 °F ~ 122 °F}\*1
- PoE+ : -10°C ~ +50 °C {14 °F ~122 °F} \*1

The operating temperature range changes with kinds of power supply which uses this camera.

\*1 When the camera is installed and operated in low temperatures below 0 °C {32 °F}, normal images and operations may not be obtained immediately after startup. In such a case, wait until the camera warms up as follows and start adjustment after turning on the power again.

- -10 °C ~ 0 °C {14 °F ~ 32 °F}, 24V AC or PoE+ → Warms up taking more than 1 hour.
- -30 °C ~ -10 °C {-22 °F ~ 14 °F}, 24V AC → Warms up taking more than 3 hours.

#### CAUTION

- All cables and power source are user-supplied.
- Recommended 24V AC power cord is twisted pair line with a minimum wire size of 18 AWG.
- Recommended 24V AC power supply for this camera is 75 watts minimum.
- Use UL Listed Class 2 power supply.
- When PoE+ is connected, don't supply 24V AC from the terminal.

### 3.2 Optional connection such as alarm in/out devices to the camera.

|           | Internal Circuit | Signal Condition   |
|-----------|------------------|--|
| ALARM IN  |                  | <p>Active state : Normally Open (NO)</p> <p>Active state : Normally Close (NC)</p> |
| ALARM OUT |                  | MAX. 12 VDC, 50 mA   |

## Network Deployment

### 1. Connect the Camera to the Network

Using an Ethernet cable (not supplied), connect one end to the RJ45 connector of the camera and the other end to the LAN port of the network switch via supplied RJ45 coupler. And connect your client PC to this network switch.

### 2. Install “IP Camera Finder” on your client PC

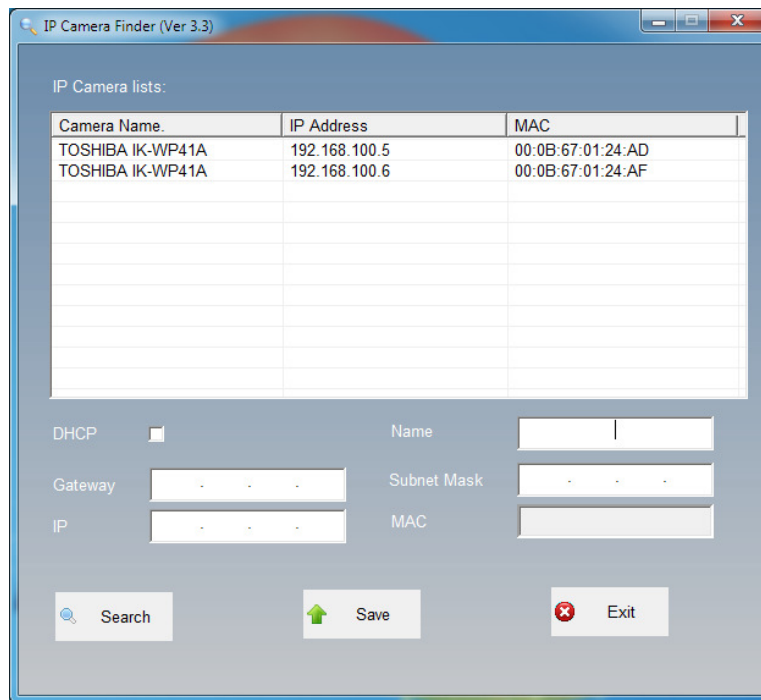
To make the camera accessible to your network, you must configure appropriate network settings for the camera. To do so, you may install the provided **IP Camera Finder** on your computer for initial setup purpose.

1. Insert the provided CD-ROM into your CD ROM drive.
2. Double-click **Setup.exe** of the folder of “IP Camera Finder”
3. Follow the prompts to finish installing.
4. The program automatically creates a shortcut icon on your desktop after it's successfully installed.
5. Start “IP Camera Finder” to Configure the Camera



- Double-click the shortcut icon to launch the **IP Camera Finder** and click **Search** to start searching the camera. All the cameras currently connected to the same network will

appear.



- Click the camera you want to configure the network settings. If you have multiple cameras connected to your local network, the MAC address on the camera to distinguish the target camera from others.  
Configure the following settings as needed.
  - **Name:** Enter a descriptive name for the camera.
  - **Network Setting:** If you have a DHCP server on your network to assign IP addresses to network devices, enable the DHCP option. Otherwise, manually enter the **IP**, **Subnet Mask** and **Gateway** settings.
- Click **Save** to enable the settings and click **Exit** to exit the utility.
- Double-Click the listed camera to login.

#### NOTE

- If **IP Camera Finder** does not find the camera during the search, try turning off the wireless LAN of a PC.
- DHCP server needs to be doing normal performance, before turning on a camera.
- **IP Camera Finder** can search the location of the Network Camera even though DHCP is not used on the network. In this scenario, assign the camera a static IP address because the IP address of the Network Camera has been assigned 169.254.\*.\* by default.
- Immediately after turning on a power of camera, even if IP camera finder displays an IP address, it may sometimes be connectable.  
In this case, please wait for 30 seconds and double-click.
- **IP Camera Finder** is compatible only with Windows® XP, Windows Vista®, and Windows® 7.

# Log-in Screen

- Double-Click the listed camera to login on the **IP Camera Finder**.



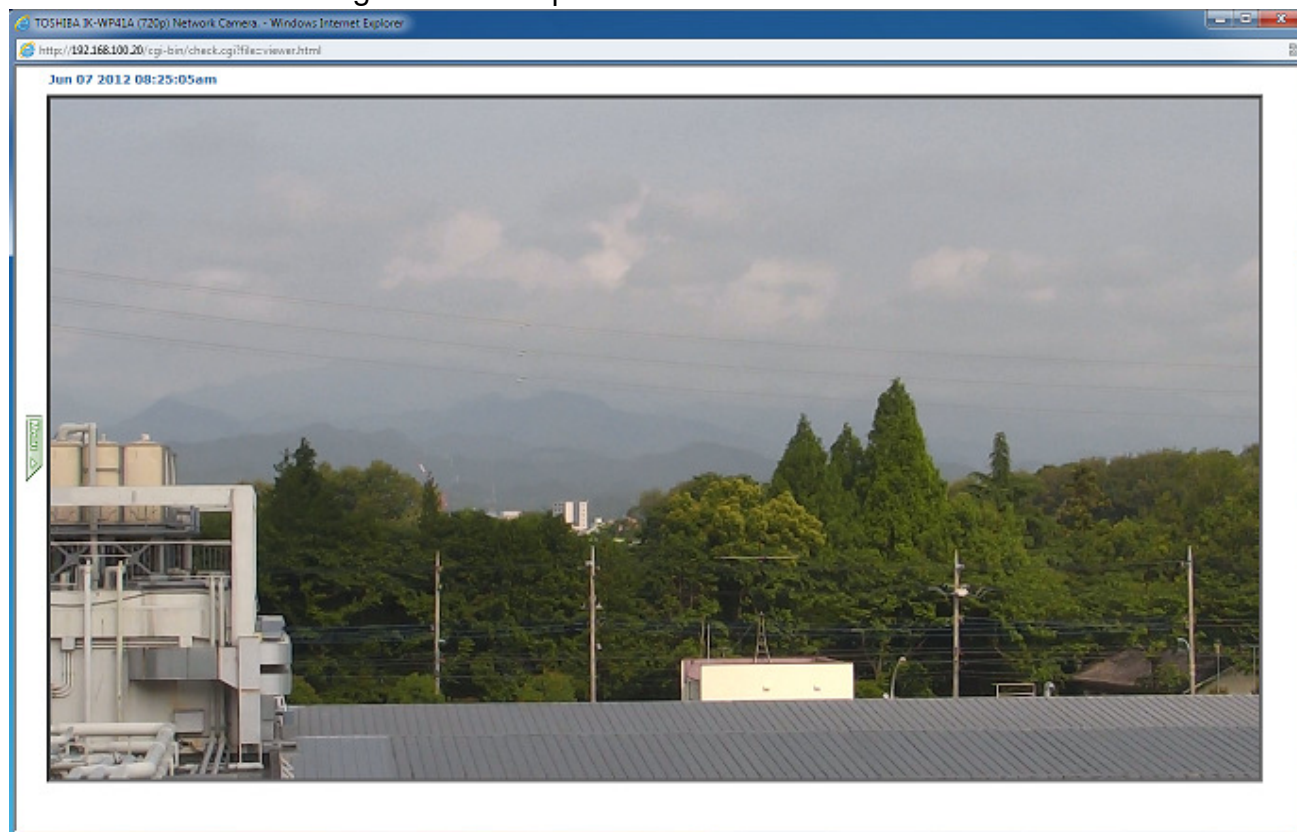
- Input the administrator log-in ID and password in the user name and password fields and click the OK button.
- The administrator log-in ID and password are set to **"admin"** and to **"1234"** respectively by default.

## Important

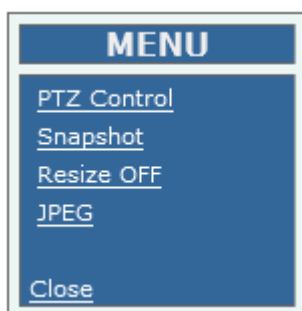
Administrator Log-in allows rewriting of all settings. Be certain to change the administrator log-in ID and password already set in the camera by default, to ensure camera security. Keep the new administrator log-in ID and password handy for future use. To change the administrator log-in ID and password, see "Administrator → Password" of Configuration Menu.

# Retrieving Images

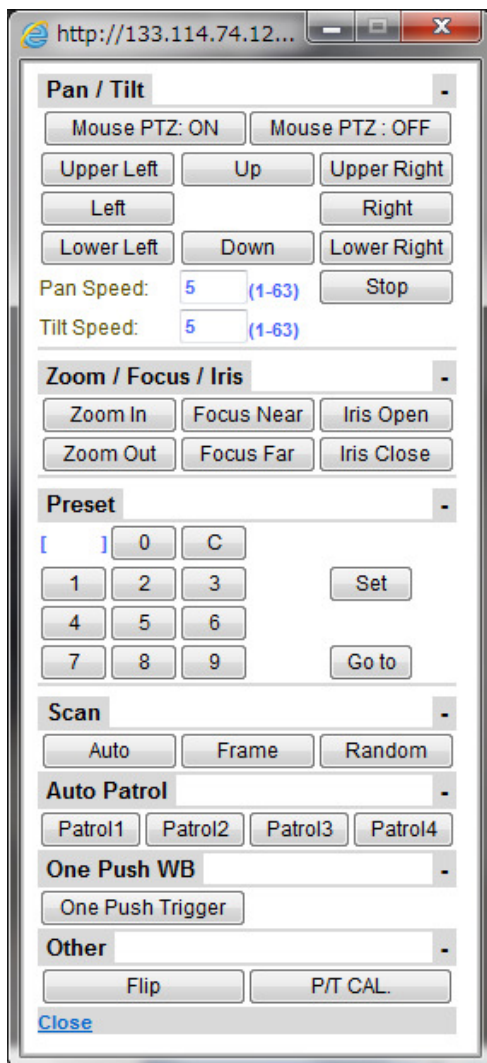
Retrieve live video through Internet Explorer®.



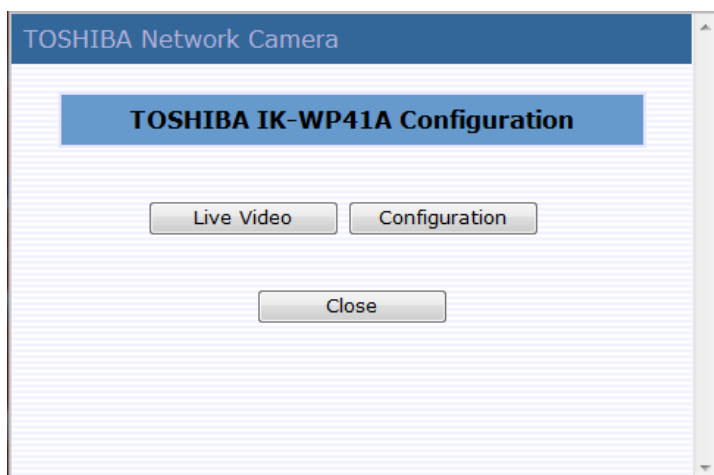
A menu is shown if the menu button on a screen is clicked.



A camera control panel is shown if PTZ Control is clicked.



A camera setup menu is shown if “Configuration” is clicked on the following screen. A live video of camera is shown if “Live Video” is clicked on the following screen.



For more information on camera configuration, please refer to user’s manual on the CD-ROM



**TOSHIBA AMERICA INFORMATION SYSTEMS, INC.**

Surveillance & IP Video Products

9740 Irvine Boulevard,

Irvine, CA 92618-1697

Phone Number: (877) 855-1349

## Free Manuals Download Website

<http://myh66.com>

<http://usermanuals.us>

<http://www.somanuals.com>

<http://www.4manuals.cc>

<http://www.manual-lib.com>

<http://www.404manual.com>

<http://www.luxmanual.com>

<http://aubethermostatmanual.com>

Golf course search by state

<http://golfingnear.com>

Email search by domain

<http://emailbydomain.com>

Auto manuals search

<http://auto.somanuals.com>

TV manuals search

<http://tv.somanuals.com>