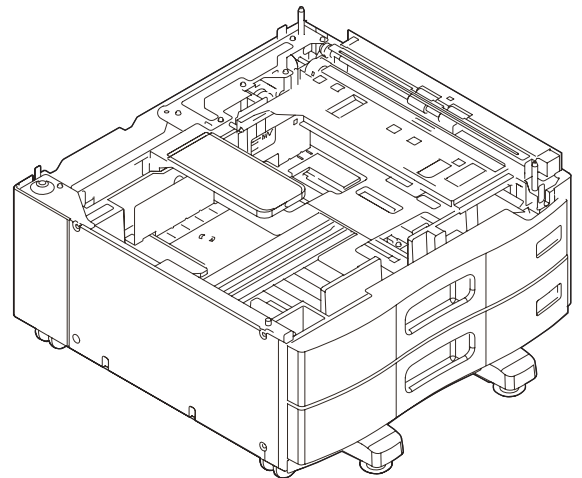


TOSHIBA

SERVICE MANUAL

Paper Feed Pedestal

KD-1025



Model: KD-1025
Publish Date: April 2009
File No. SME090003B0
R090121H2600-TTEC
Ver02_2011-12

Trademarks

- FLOIL is a registered trademark of Kanto Kasei Ltd. CORPORATION
- Mylar is a registered trademark of DuPont Teijin Films U.S. Limited Partnership.
- Molykote is a registered trademark of Dow Corning Corporation.
- Other company names and product names in this manual are the trademarks of their respective companies.

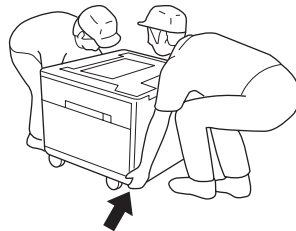
© 2009 - 2011 TOSHIBA TEC CORPORATION All rights reserved

Under the copyright laws, this manual cannot be reproduced in any form without prior written permission of TOSHIBA TEC CORPORATION.

GENERAL PRECAUTIONS FOR INSTALLATION/SERVICING/ MAINTENANCE

The installation and service shall be done by a qualified service technician.

1. When installing the Paper Feed Pedestal KD-1025 to the equipment, be sure to follow the instructions described in the "Unpacking/Set-Up Procedure for the KD-1025" booklet which comes with each unit of the KD-1025.
2. The KD-1025 should be installed by an authorized/qualified person.
3. When transporting/installing KD-1025, employ two persons and be sure to use the positions as indicated below.
KD-1025 is fairly heavy and weights approximately 21 kg (46.3 lb.), therefore pay full attention when handling it.



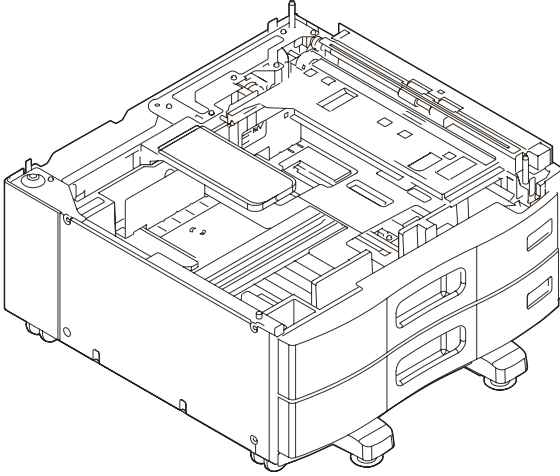
4. Before starting installation, servicing or maintenance work, be sure to turn OFF and unplug the equipment first.
5. Be sure to fix and plug in the power cable securely after the installation so that no one trips over it.
6. The equipment shall be installed near the socket outlet and shall be accessible.
7. Unplug the power cable and clean the area around the prongs of the plug and socket outlet once a year or more. A fire may occur when dust lies on this area.
8. The KD-1025 is supplied with power from the equipment, requiring no additional power source.
9. The KD-1025 should be grounded to the specified positions on the machine frame.
10. When servicing or maintaining the KD-1025, be careful about the rotating or operating sections such as gears, pulleys, sprockets, cams, belts, etc.
11. When servicing the machines with the power turned ON, be sure not to touch live sections and rotating/operating sections.
12. When parts are disassembled, reassembly is basically the reverse of disassembly unless otherwise noted in this manual or other related materials. Be careful not to reassemble small parts such as screws, washers, pins, E-rings, toothed washers to the wrong places.
13. Basically, the machine should not be operated with any parts removed or disassembled.
14. Delicate parts for preventing safety hazard problems (such as thermofuses, door switches sensors, etc. if any) should be handled/installed/adjusted correctly.
15. Use suitable measuring instruments and tools.

16. During servicing or maintenance work, be sure to check the nameplate and other cautionary labels (if any) to see if they are clean and firmly stuck. If not, take appropriate actions.
17. The PC board must be stored in an anti-electrostatic bag and handled carefully using a wristband, because the ICs on it may be damaged due to static electricity.
Caution: Before using the wrist band, pull out the power cord plug of the equipment and make sure that there is no uninsulated objects in the vicinity.
18. For the recovery and disposal of used the Paper Feed Pedestal, consumable parts, packing materials, follow the relevant local regulations/rules.
19. Return the equipment to the original state and check the operation when the service is finished.

CONTENTS

1. SPECIFICATIONS	1-1
2. OVERVIEW	2-1
2.1 Front Sectional View.....	2-1
2.2 Layout of Electrical Parts.....	2-2
2.3 Electrical Parts.....	2-3
3. GENERAL OPERATION	3-1
3.1 Driving System and Feeding Operation.....	3-1
3.2 Description of Operations	3-2
3.3 Error Detection.....	3-3
3.4 Flow Chart	3-4
4. DISASSEMBLY AND REPLACEMENT	4-1
4.1 Installation and Removal of Drawers and Covers.....	4-1
4.2 PFP board (PWB).....	4-5
4.3 Upper/Lower Transport Rollers.....	4-6
4.4 Motor	4-10
4.5 Feed/Separation/Pickup Roller.....	4-15
4.6 Switches and Sensors	4-18
5. ELECTRIC CIRCUIT	5-1
5.1 Harness Diagram.....	5-1
5.2 Circuit Diagram.....	5-2
5.3 PC Board	5-5
6. PERIODIC MAINTENANCE	6-1

1. SPECIFICATIONS

Item	KD-1025
Appearance	
Feeding method	Automatic feeding: 1 drawer installed from the front
Paper	Size: A3, B4, A4, A4-R, B5, B5-R, A5-R, LD, LG, LT, LT-R, 8K, 16K, 16K-R, FOLIO, COMPUTER, 13"LG, 8.5"x8.5" Thickness: 64 g/m ² to 105 g/m ² (17 lb. Bond to 94.5 lb. Cover)
Capacity of drawer	Stack height: 60.5 mm (Approx. 550 sheets: 80 g/m ² (22 lb. Bond))
Dimensions	575 (W) × 583 (D) × 292 (H) mm 22.64 (W) × 22.95 (D) × 11.50 (H) inch (Height - Floor to top of the front cover) 660 (W) × 701 (D) × 292 (H) mm 25.98 (W) × 27.60 (D) × 11.50 (H) inch (Including the stabilizer cover)
Weight	Approx. 21 kg (46.3 lb.)
Power supply	5 V, 24 V (supplied from the equipment)
Accessory	Unpacking Instructions (1) Connecting plates (4) Screws for connecting plates (6) Fixing screw for ground wire (1) Paper size indicator sheets (2) Stabilizer brackets (4) Feeding side stabilizer foot (1) Screw for feeding side stabilizer foot (1) Rear side stabilizer covers (2) Front side stabilizer cover (1) Screws for stabilizer (4)
Option	Drawer module: MY-1033 (With this option, 2 drawers become available for feeding).

Note:

This manual explains on the premise that 2 drawers are available (that is, the optional drawer module is installed).

2. OVERVIEW

2.1 Front Sectional View

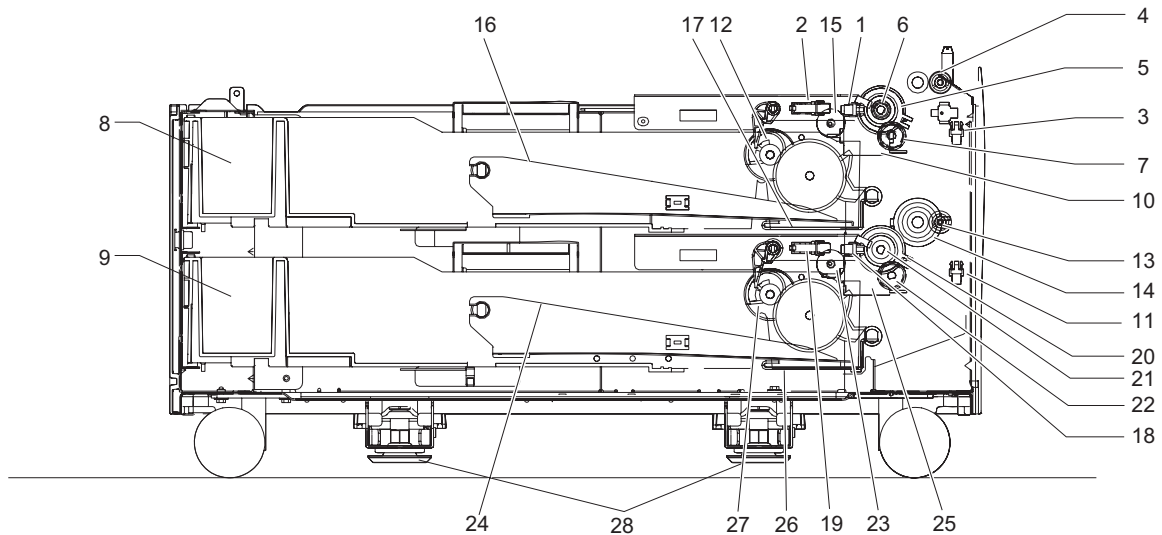


Fig. 2-1

Symbol	Name	Symbol	Name
1	Upper drawer tray-up sensor (S4)	15	Upper drawer pickup roller
2	Upper drawer empty sensor (S6)	16	Upper drawer tray
3	Upper drawer feed sensor (S2)	17	Upper drawer elevator
4	Upper transport roller	18	Lower drawer tray-up sensor (S5)
5	Upper drawer feed clutch (CLT2)	19	Lower drawer empty sensor (S7)
6	Upper drawer feed roller	20	Lower drawer feed clutch (CLT3)
7	Upper drawer separation roller	21	Lower drawer feed roller
8	Upper drawer	22	Lower drawer separation roller
9	Lower drawer	23	Lower drawer pickup roller
10	Upper drawer tray-up motor (M2)	24	Lower drawer tray
11	Lower drawer feed sensor (S3)	25	Lower drawer tray-up motor (M3)
12	Upper drawer elevator coupling	26	Lower drawer elevator
13	Lower transport roller	27	Lower drawer elevator coupling
14	Transport clutch (CLT1)	28	Adjuster

2.2 Layout of Electrical Parts

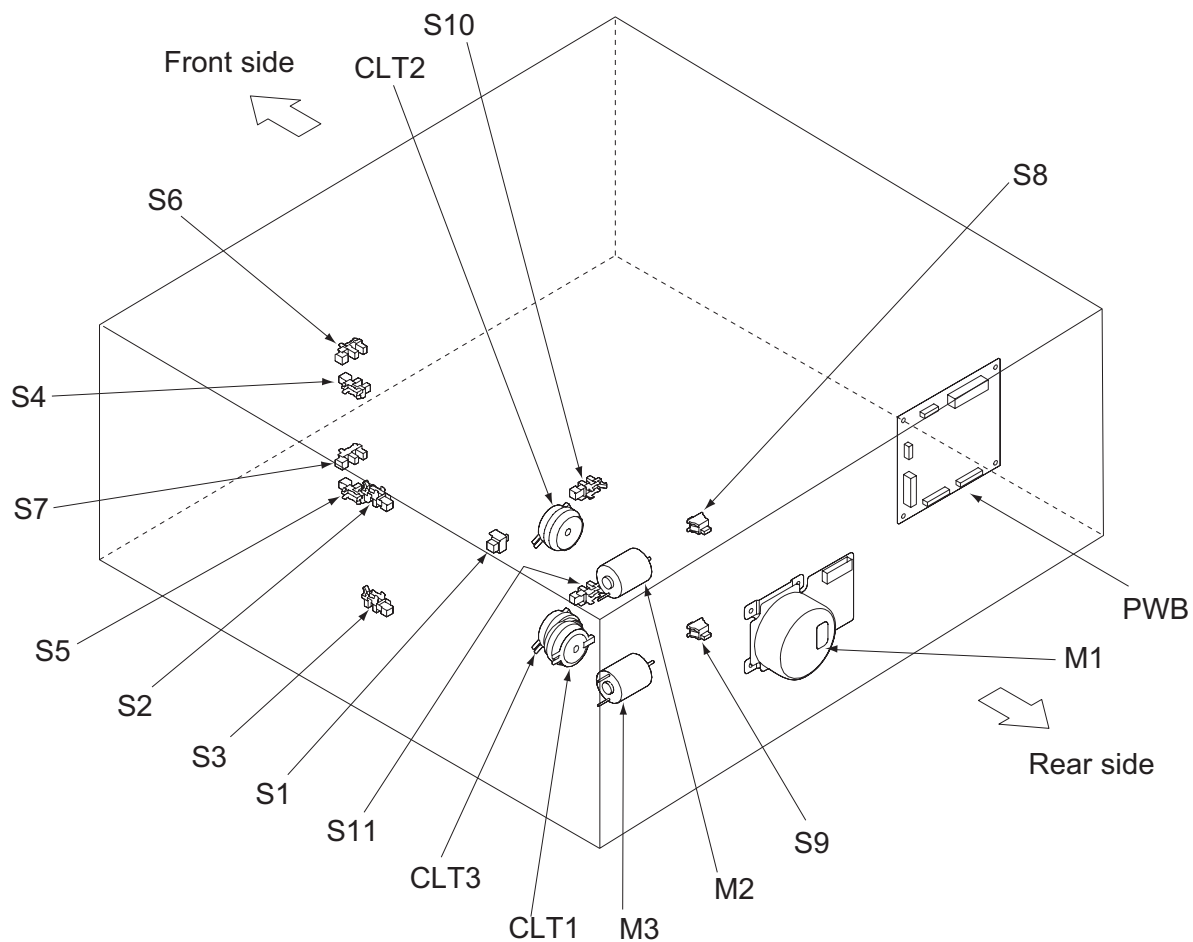


Fig. 2-2

Symbol	Name	Symbol	Name
M1	PFP motor	S4	Upper drawer tray-up sensor
M2	Upper drawer tray-up motor	S5	Lower drawer tray-up sensor
M3	Lower drawer tray-up motor	S6	Upper drawer empty sensor
CLT1	Transport clutch	S7	Lower drawer empty sensor
CLT2	Upper drawer feed clutch	S8	Upper drawer detection switch
CLT3	Lower drawer feed clutch	S9	Lower drawer detection switch
S1	Side cover open/close switch	S10	Upper drawer paper stock sensor
S2	Upper drawer feed sensor	S11	Lower drawer paper stock sensor
S3	Lower drawer feed sensor	PWB	PFP board

2.3 Electrical Parts

1. Motor

Symbol	Name	Function	Remarks
M1	PPF-MTR PPF motor	Drives feeding and transport	Brushless motor
M2	T-UP-U-MTR Upper drawer tray-up motor	Lifts up the upper drawer tray	Brush motor
M3	T-UP-L-MTR Lower drawer tray-up motor	Lifts up the lower drawer tray	Brush motor

2. Electromagnetic clutch

Symbol	Name	Function	Remarks
CLT1	TR-CLT Transport clutch	Drives transport	
CLT2	FED-U-CLT Upper drawer feed clutch	Drives roller to pick up paper from the upper drawer	
CLT3	FED-L-CLT Lower drawer feed clutch	Drives roller to pick up paper from the lower drawer	

3. Switches and Sensors

Symbol	Name	Function	Remarks
S1	SIDE-COV-SW Side cover open/close switch	Side cover open/close detection	Push switch
S2	FED-U-SNR Upper drawer feed sensor	Detects timing to feed paper/ misfeeding	Photo interrupter
S3	FED-L-SNR Lower drawer feed sensor	Detects timing to feed paper/ misfeeding	Photo interrupter
S4	TOP-U-SNR Upper drawer tray-up sensor	Detects if the upper drawer has lifted up	Photo interrupter
S5	TOP-L-SNR Lower drawer tray-up sensor	Detects if the lower drawer has lifted up	Photo interrupter
S6	EMP-U-SNR Upper drawer empty sensor	Detects presence/absence of paper in the upper drawer	Photo interrupter
S7	EMP-L-SNR Lower drawer empty sensor	Detects presence/absence of paper in the lower drawer	Photo interrupter
S8	CST-U-SW Upper drawer detection switch	Detects the presence/absence of the lower drawer	Push switch
S9	CST-L-CST Lower drawer detection switch	Detects the presence/absence of the lower drawer	Push switch
S10	PST-U-SNR Upper drawer paper stock sensor	Detects that the paper stock is insufficient in the upper drawer	Photo interrupter
S11	PST-L-SNR Lower drawer paper stock sensor	Detects that the paper stock is insufficient in the lower drawer	Photo interrupter

4. PC board

Symbol	Name	Function	Remarks
PWB	PWB-F-503S PPF board	Control of PPF devices	

3. GENERAL OPERATION

3.1 Driving System and Feeding Operation

The Paper Feed Pedestal (PFP) mainly consists of the drawer, pickup roller, feed roller, separation roller, transport roller, and drive systems for these components.

- Feeding/Transport system
The PFP motor drives the pickup roller, feed roller, and transport roller which are located in the feeding area.
- Drawer tray system
This system raises and lowers the tray.

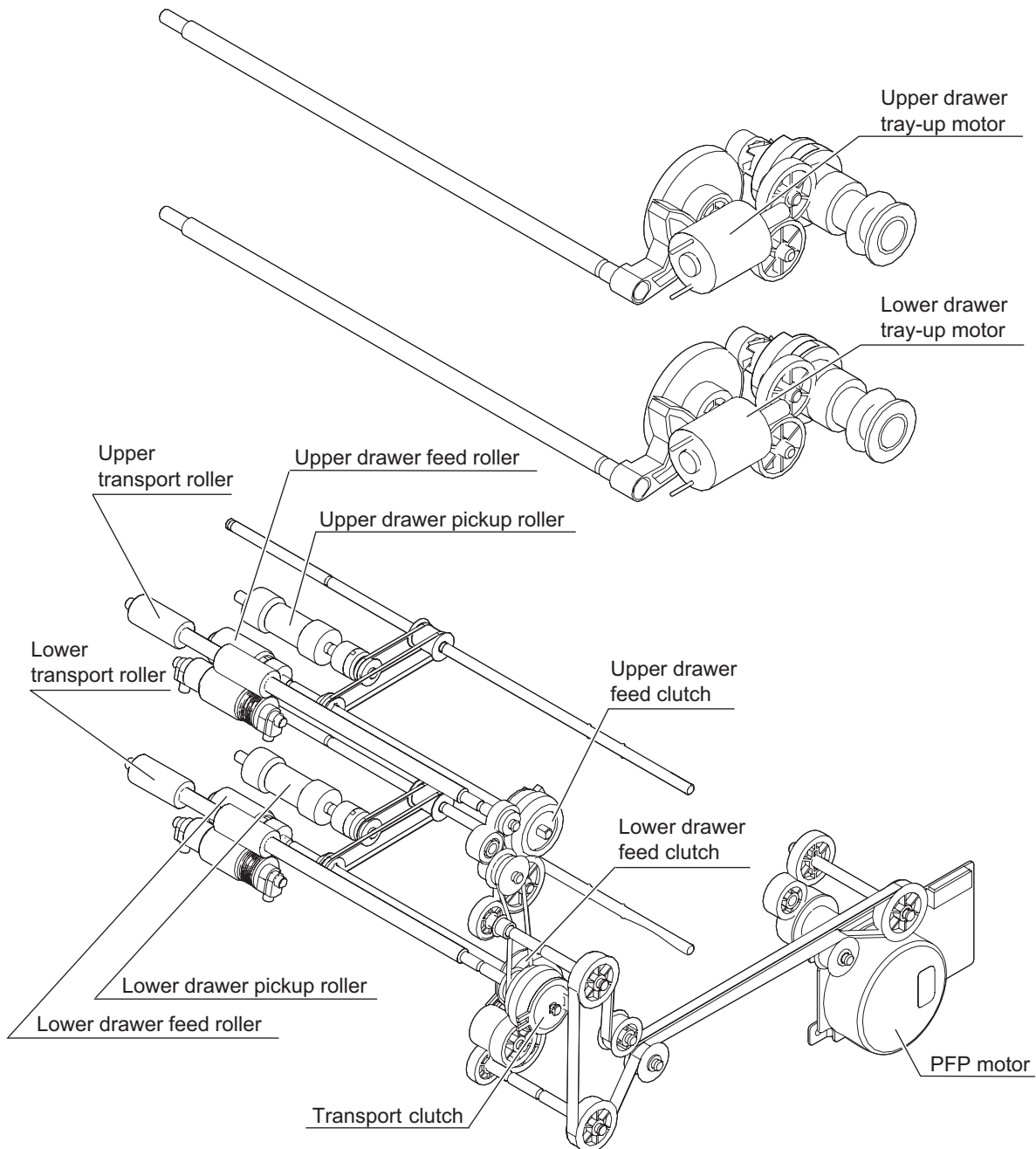


Fig. 3-1

3.2 Description of Operations

[A] From power ON to ready

- (1) When the equipment is turned ON, the power is also supplied to the feeder unit. And when the power is supplied, the feeder unit detects and judges the clock frequency output from the LGC board on the equipment to control transport speed of the unit.
- (2) After that, the tray-up motor (M2)/(M3) is turned ON to raise the corresponding tray. When the tray-up sensor (S4)/(S5) is turned ON correspondingly, the tray-up motor (M2)/(M3) is turned OFF to stop the tray. If the empty sensor (S6)/(S7) is OFF (H) at this time, it is judged that there is no paper in the drawer. If the empty sensor is ON (L), it is assumed that there is paper in the drawer, and the tray stays in the raised position until the drawer is pulled out.
- (3) If the power is turned ON when the drawer has been pulled out, the tray-up motor for that drawer is not turned ON. The tray is raised as soon as the drawer is installed, and it detects if there is paper in the drawer.
- (4) If either of the drawer feed sensors (S2), (S3) is ON (there is paper in the transport path) when the power is turned ON, that means paper jam has occurred and operation is disabled until the paper is removed.

[B] Ready status

- (1) Trays detect the paper as described above, and the equipment goes into ready status.
- (2) The tray goes down automatically when the drawer is removed and it is raised as soon as the drawer is installed again and checks if there is paper in the drawer.

[C] From the start to the end of copying

- (1) When the [START] button is pressed, the feed/transport and exit motors of the equipment and the PFP motor (M1) are turned ON at the same time.
- (2) When the equipment judges that PFP is ready for feeding paper, it turns ON the feed clutch (CLT2)/(CLT3) of the selected drawer. This clutches drive the pickup roller and feed roller to feed paper from the tray.
- (3) When the drawer feed sensor (S2)/(S3) comes ON, the transport clutch (CLT1) is turned ON to drive the PFP transport roller.
- (4) A fixed time after the drawer feed sensor (S2)/(S3) comes ON, the feed clutch (CLT2)/(CLT3) is turned OFF and feeding from the drawer is completed.
- (5) The paper is transported to the equipment by the PFP transport roller. A fixed time after the leading edge of the paper reaches the drawer feed sensor (S2), if the trailing edge of the previously sent sheet still remains at the copier feed sensor, the transport clutch (CLT1) is turned OFF to stop the transport of the paper.
- (6) A fixed time after the paper turns the resist clutch ON, PFP becomes ready for feeding the next sheet of paper, and the procedures (1) to (5) are repeated.
- (7) When the copying operation is completed, the feed/transport motor, exit motor, PFP motor (M1), and transport clutch (CLT1) are turned OFF and the transport roller is stopped.

3.3 Error Detection

[A] Jam detection

- (1) Paper jams (E150), (E160) and (E300 to E360) occur in the following cases.
 - Feed sensor (S2)/(S3) is not turned ON within a specified period of time after the feeding is started.
 - The leading edge of the paper does not pass the feed sensor (S2)/(S3) in the transport path within a specified period of time.
- (2) Open the side cover of the PFP and remove all the paper remaining on the transport path and close the side cover to clear the paper jam. If either of the drawer feed sensors (S2)/(S3) is still ON when the side cover is closed, it is determined that there is still paper on the transport path and the paper jam status is not cleared.
- (3) When a paper jam occurs in the PFP during continuous copying, the paper that was fed before the jam is copied normally.

[B] Call for Service

- (1) The tray is raised when the power is turned ON or the drawer is inserted or pulled out. If the tray-up sensor (S4)/(S5) is not turned ON within a specified period of time after the tray has started to raise, a message that the selected drawer cannot be used is displayed on the control panel.
- (2) The state (1) is cleared by opening the drawer and solving the problems.

3.4 Flow Chart

(Upper drawer feeding)

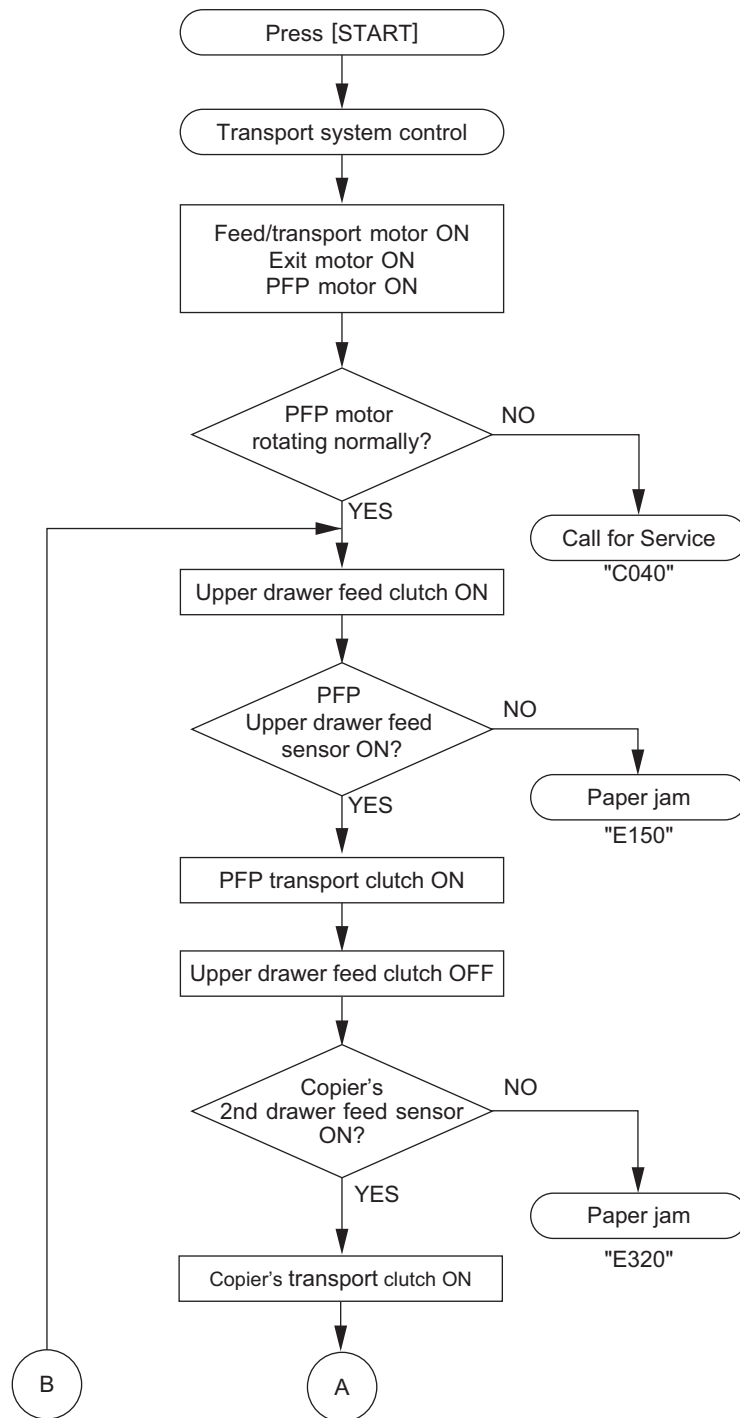


Fig. 3-2

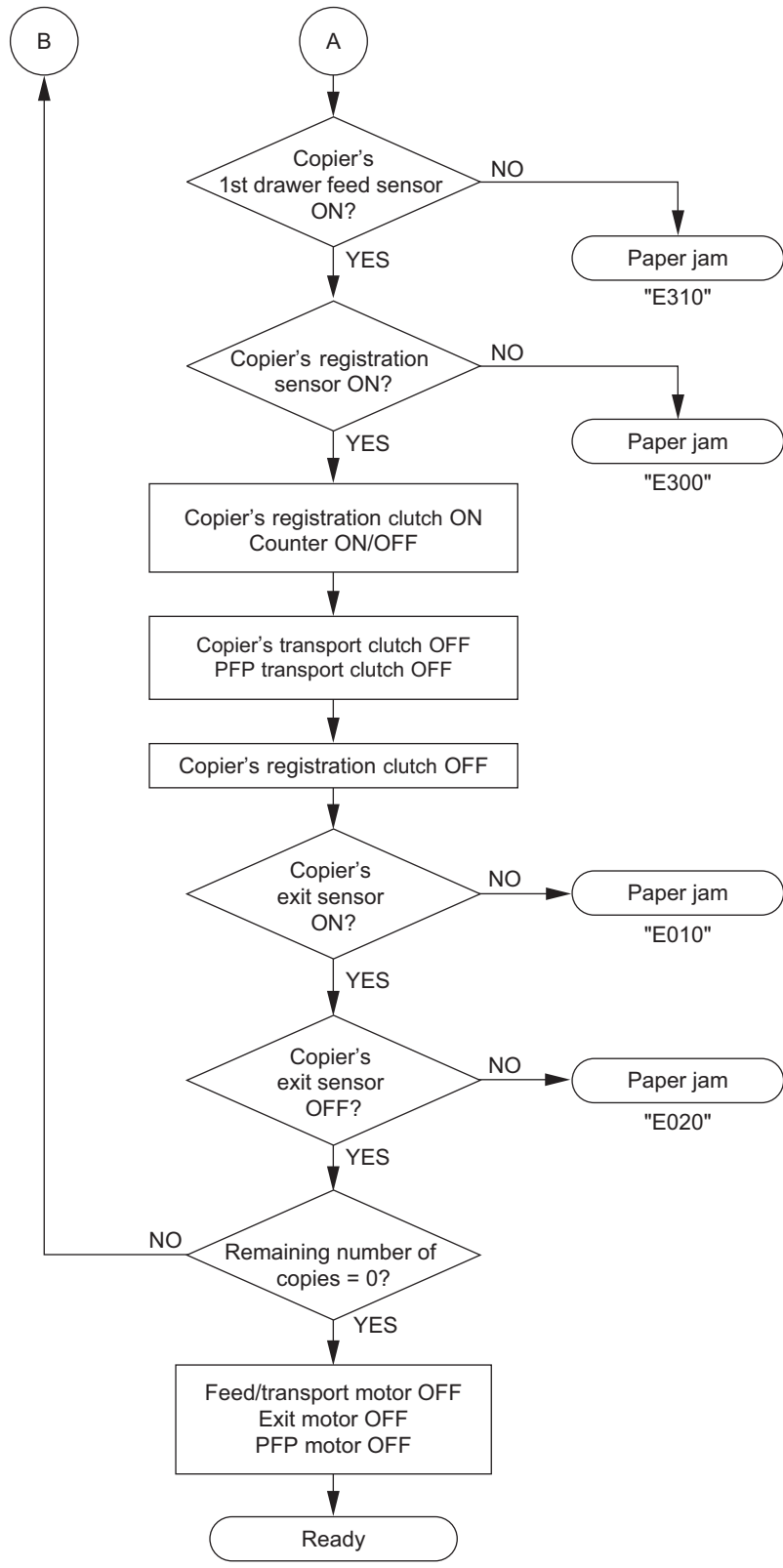


Fig. 3-3

4. DISASSEMBLY AND REPLACEMENT

4.1 Installation and Removal of Drawers and Covers

[A] Drawers

- (1) Pull out the drawer fully and remove 1 screw at the back right to remove the stopper.
- (2) Pull out the drawer further and take it out.

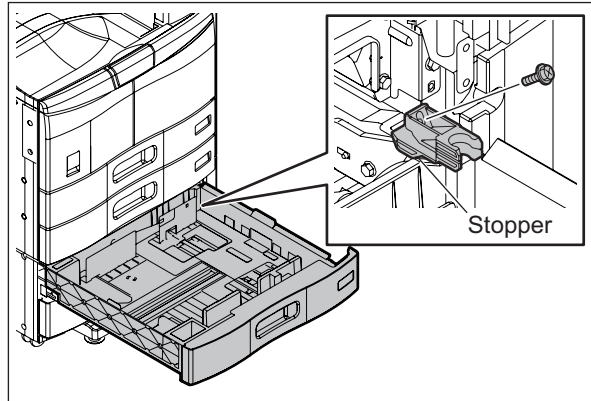


Fig. 4-1

[B] Drawer cover

- (1) Take out the drawer.
P.4-1 "[A] Drawers"
- (2) Remove 4 screws and take off the drawer cover.

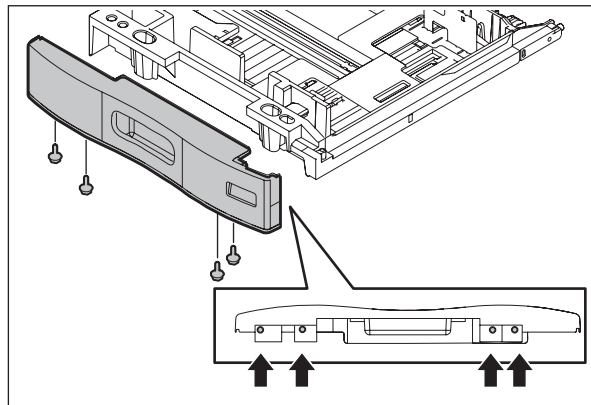


Fig. 4-2

[C] Stabilizer cover

- (1) Take out the drawer.
P.4-1 "[A] Drawers"

Note:

The drawer must be taken out only when taking off the front side stabilizer cover.

- (2) Remove 2 screws and take off the front side stabilizer cover.
- (3) Remove 1 screw and take off the feeding side stabilizer foot.

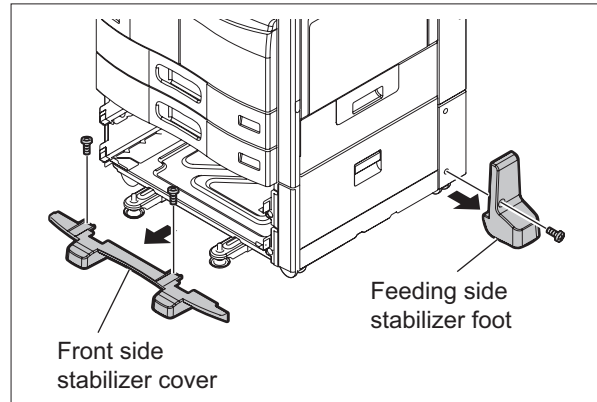


Fig. 4-3

- (4) Remove 2 screws and take off the rear side stabilizer cover.

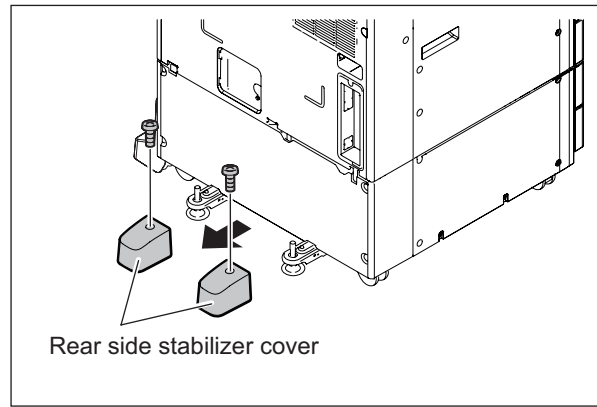


Fig. 4-4

[D] Rear cover

- (1) Take off the rear side stabilizer cover.
P.4-2 "[C] Stabilizer cover"
- (2) Remove 2 screws on the rear cover.
- (3) Take off the rear cover.

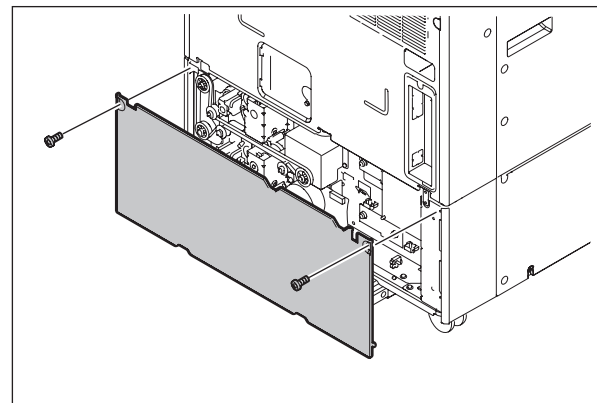


Fig. 4-5

[E] Feeding side front cover

- (1) Take out the drawer.
P.4-1 "[A] Drawers"
- (2) Remove 2 screws and take off the feeding side front cover.

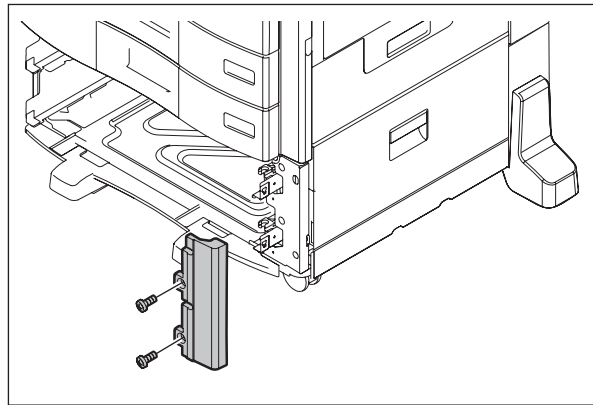


Fig. 4-6

[F] Feeding side rear cover

- (1) Open the side cover.
- (2) Remove 2 screws, and take off the feeding side stabilizer foot and the feeding side rear cover.

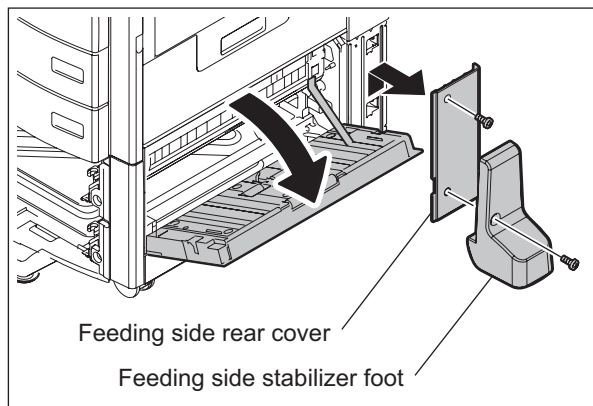


Fig. 4-7

[G] Side cover

- (1) Open the side cover and remove 1 screw on the belt.

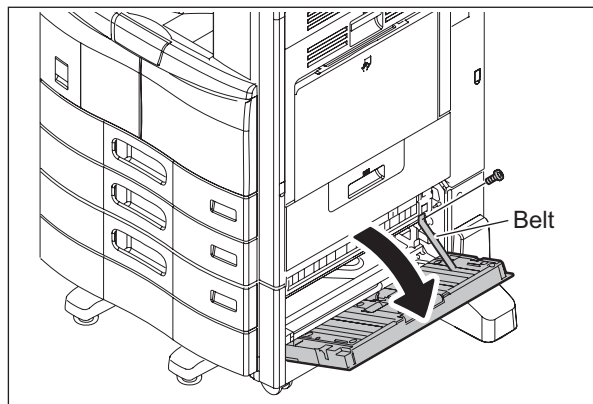


Fig. 4-8

- (2) Take off the block from the side cover.
- (3) Take off the side cover while pushing the front side of the side cover inward.

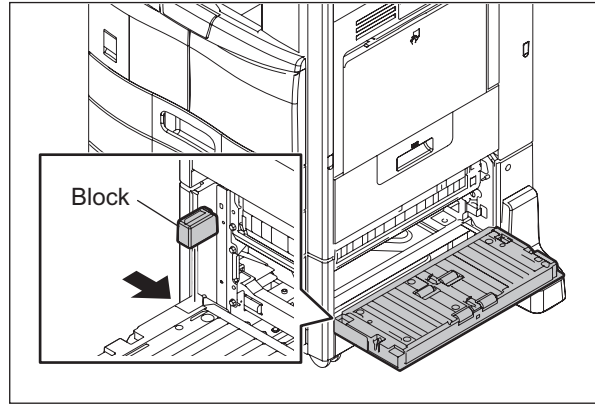


Fig. 4-9

- (4) Disconnect 1 connector.

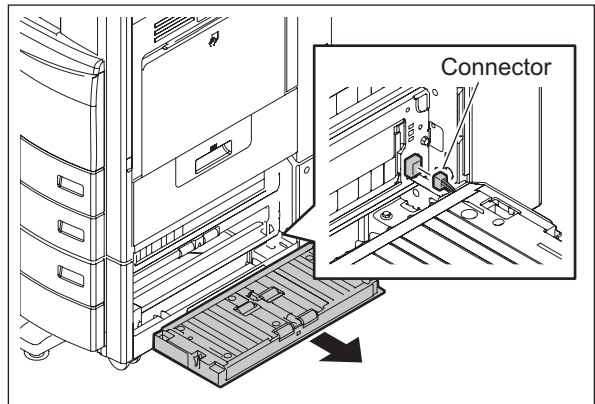


Fig. 4-10

4.2 PFP board (PWB)

- (1) Take off the rear cover.
📖 P.4-2 "[D] Rear cover"
- (2) Disconnect 6 connectors, remove 2 screws, and release 2 locking supports to take off the PFP board.

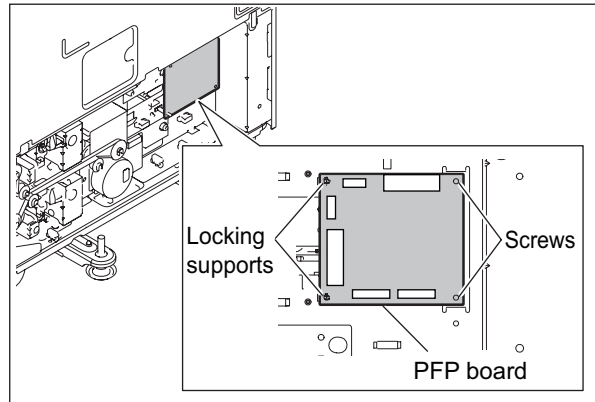



Fig. 4-11

4.3 Upper/Lower Transport Rollers

[A] Upper transport roller

- (1) Open the side cover and remove 1 screw on the belt.
 P.4-3 "[G] Side cover"
- (2) Remove 3 screws and take off the transport roller along with the bracket.

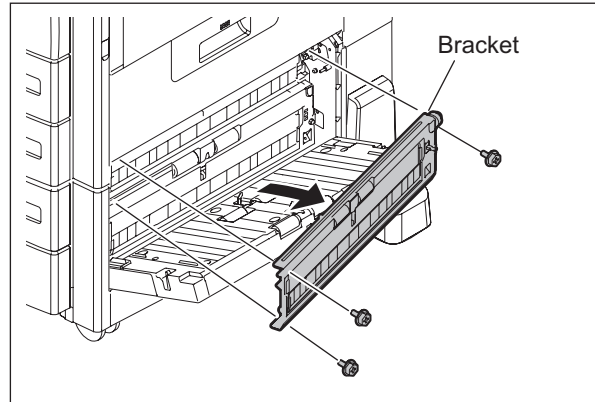


Fig. 4-12

- (3) Remove 1 clip, and take off the gear and the collar.

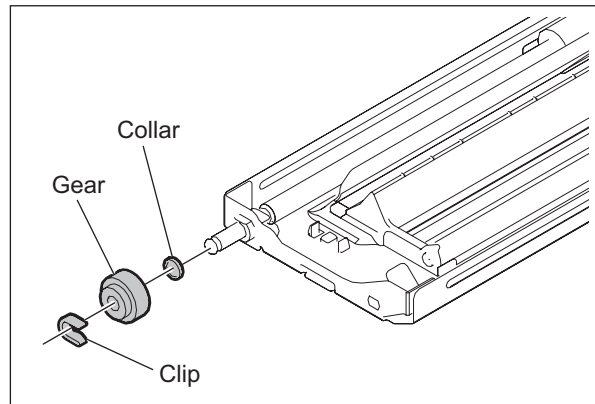


Fig. 4-13

- (4) Remove 1 clip and slide the bushing to take off the transport roller.

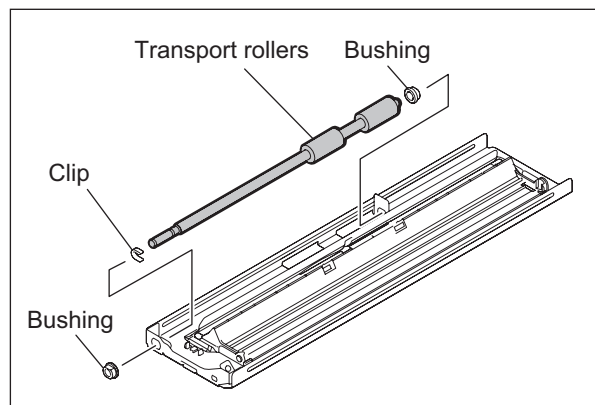


Fig. 4-14

[B] Lower transport roller

- (1) Take off the rear cover.
P.4-2 "[D] Rear cover"
- (2) Loosen 1 screw fixing the tensioner bracket.

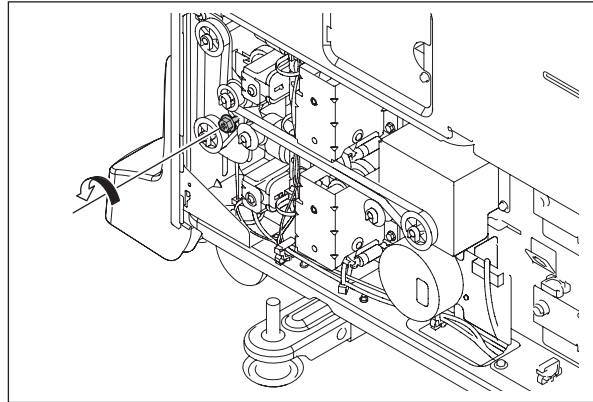


Fig. 4-15

- (3) Remove the belt.

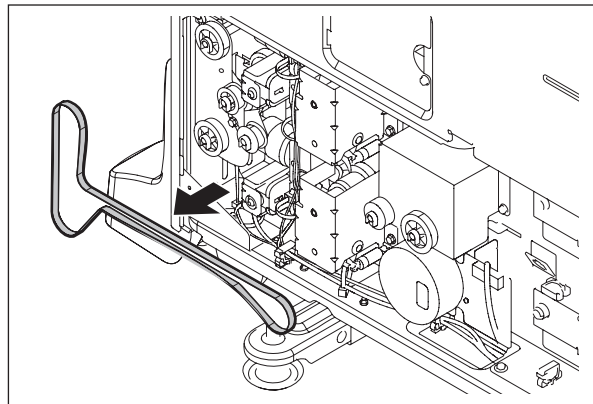


Fig. 4-16

Note:

When installing the belt, be sure to confirm the gap between the belts with the following procedure.

1. Install the belt in KD-1025.
2. Tighten 1 fixing screw of the tensioner bracket.
3. Confirm that the gap between the belts is approx. 3 mm.

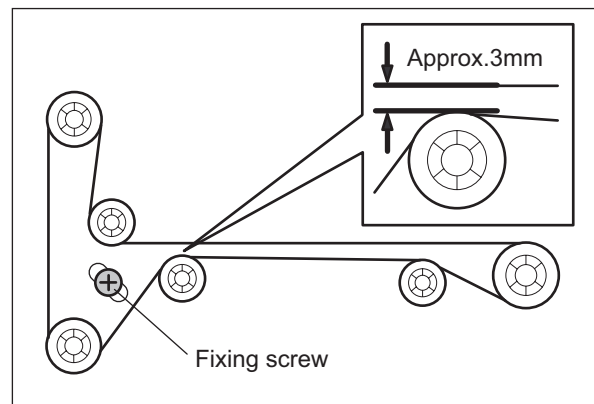


Fig. 4-17

- (4) Remove 2 screws and take off the bracket of the feeding gear.

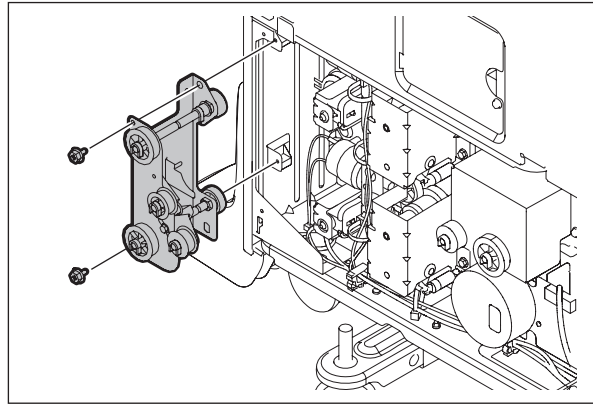


Fig. 4-18

- (5) Remove 1 connector and take off the transport clutch.

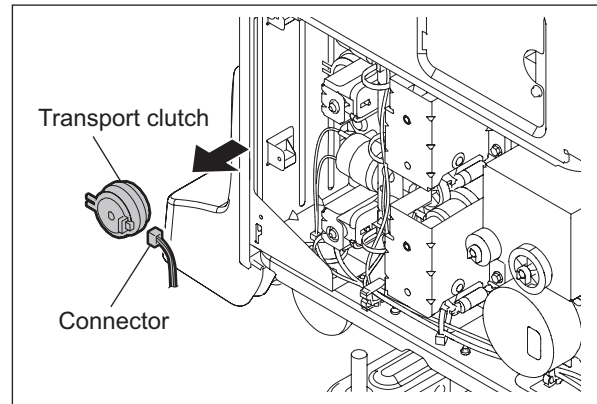


Fig. 4-19

- (6) Remove the coupling, pin, and clip.

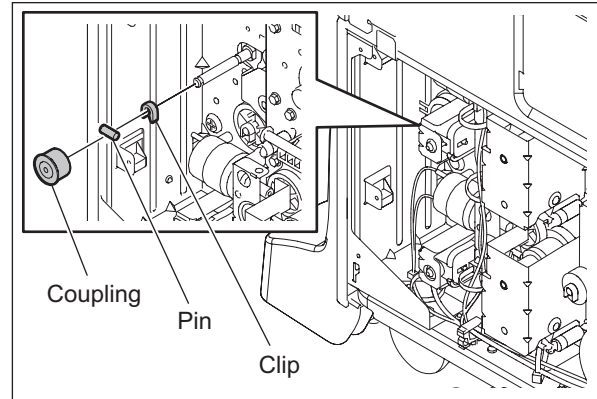


Fig. 4-20

- (7) Take off the side cover and the feeding side front cover.
 - ☞ P.4-3 "[G] Side cover"
 - ☞ P.4-3 "[E] Feeding side front cover"
- (8) Remove 3 screws and take off the transport roller along with the bracket.

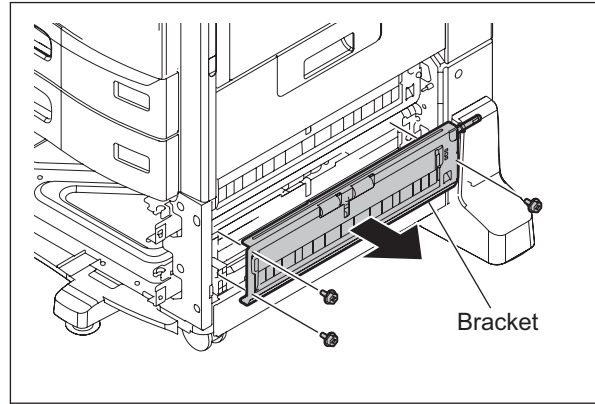


Fig. 4-21

- (9) Remove 1 clip, and take off the gear and the collar.

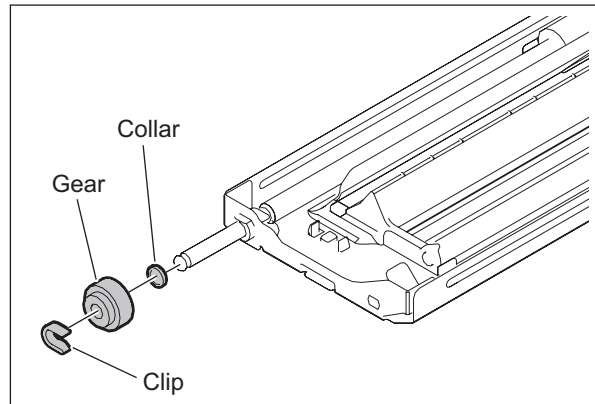


Fig. 4-22

- (10) Remove 1 clip and slide the bushing to take off the transport roller.

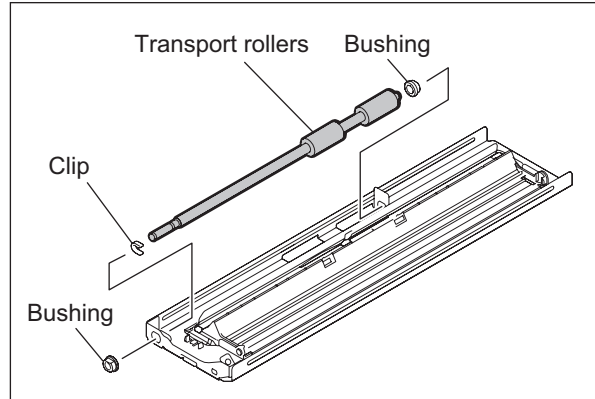


Fig. 4-23

4.4 Motor

[A] Upper drawer tray-up motor

- (1) Take off the rear cover.
📖 P.4-2 "[D] Rear cover"
- (2) Disconnect 1 connector and take off the harness clamp from the bracket.

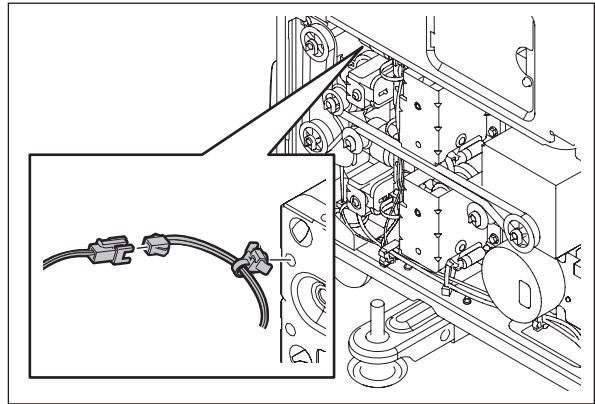


Fig. 4-24

- (3) Remove 2 screws and take off the tray-up motor along with the bracket.

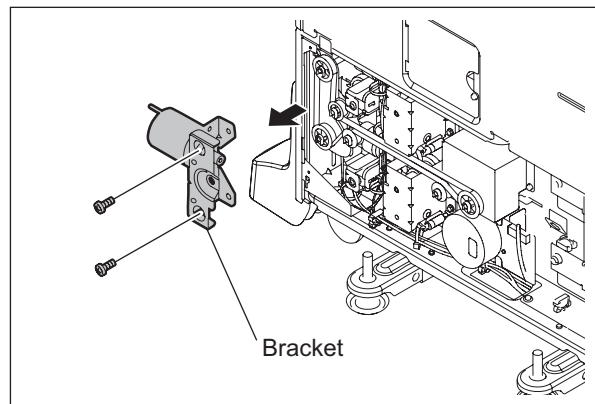


Fig. 4-25

- (4) Remove 2 screws and take off the tray-up motor from the bracket.

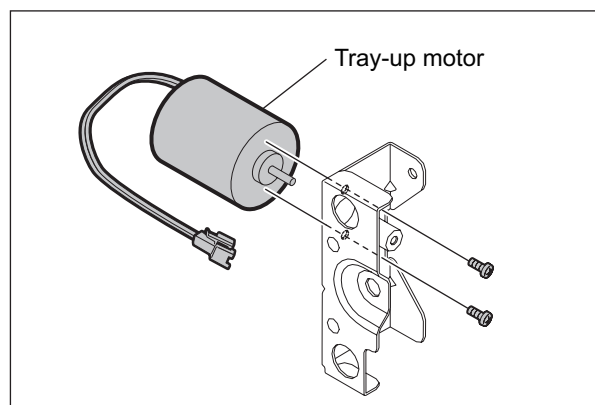


Fig. 4-26

[B] Lower drawer tray-up motor

- (1) Take off the rear cover.
P.4-2 "[D] Rear cover"
- (2) Loosen 1 screw fixing the tensioner bracket.

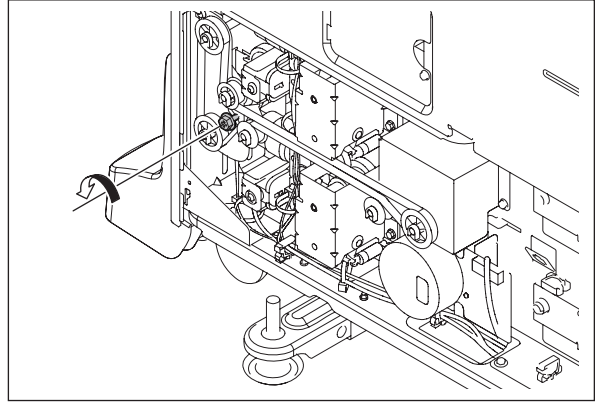


Fig. 4-27

- (3) Remove the belt.

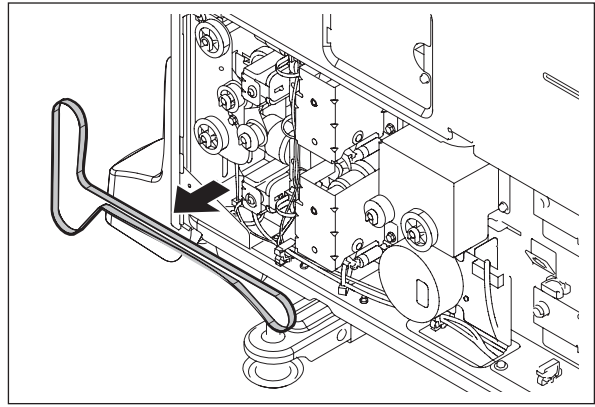


Fig. 4-28

Note:

When installing the belt, be sure to confirm the gap between the belts with the following procedure.

1. Install the belt in KD-1025.
2. Tighten 1 fixing screw of the tensioner bracket.
3. Confirm that the gap between the belts is approx. 3 mm.

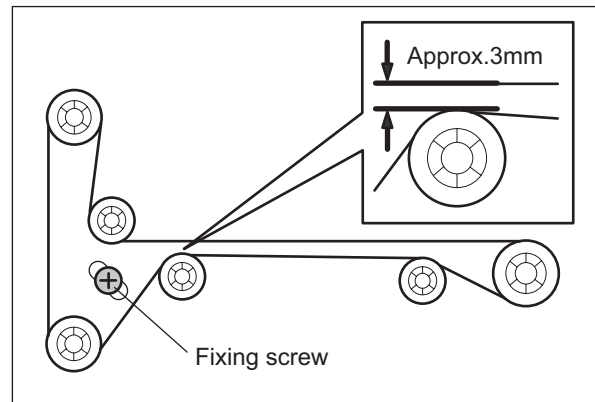


Fig. 4-29

- (4) Remove 2 screws and take off the bracket of the feeding gear.

Note:

Match the protruding portion of the clutch with the position shown in the figure for assembling.

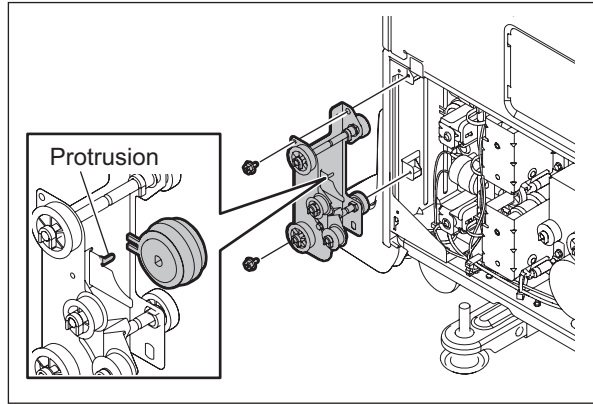


Fig. 4-30

- (5) Disconnect the connector of the lower drawer tray-up motor and remove 2 harness clamps from the bracket.

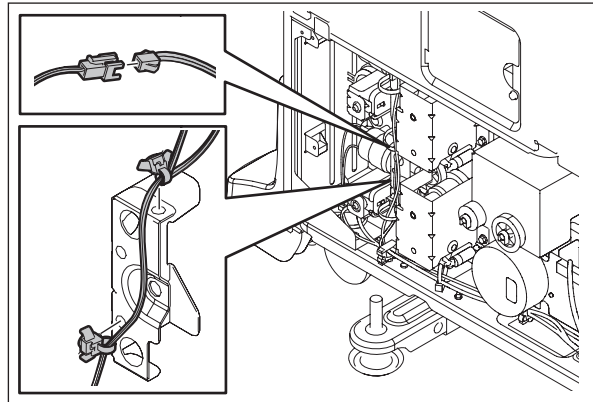


Fig. 4-31

- (6) Remove 2 screws and take off the tray-up motor along with the bracket.

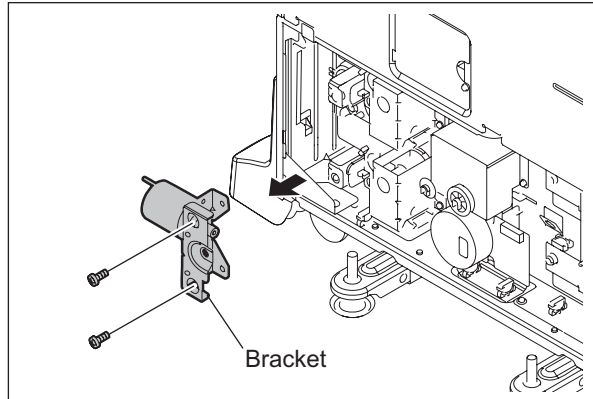


Fig. 4-32

- (7) Remove 2 screws and take off the tray-up motor from the bracket.

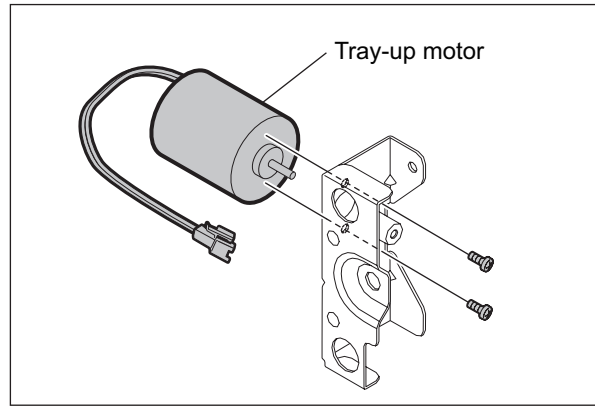


Fig. 4-33

[C] PFP motor

- (1) Take off the rear cover.
 P.4-2 "[D] Rear cover"
- (2) Disconnect 1 connector.
- (3) Remove 4 screws and take off the PFP motor.

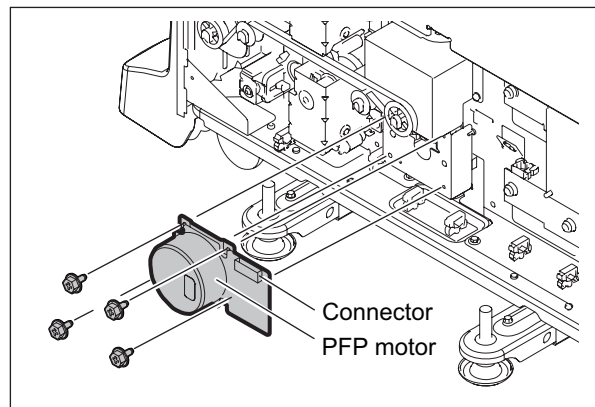


Fig. 4-34

[D] PFP motor assembly

- (1) Take off the rear cover.
 P.4-2 "[D] Rear cover"
- (2) Loosen 1 screw fixing the tensioner bracket.

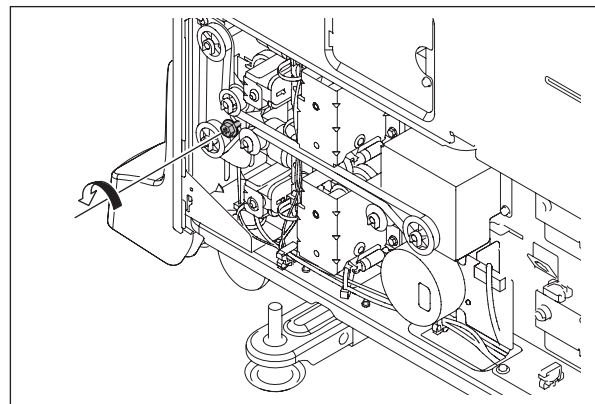


Fig. 4-35

- (3) Remove the belt.

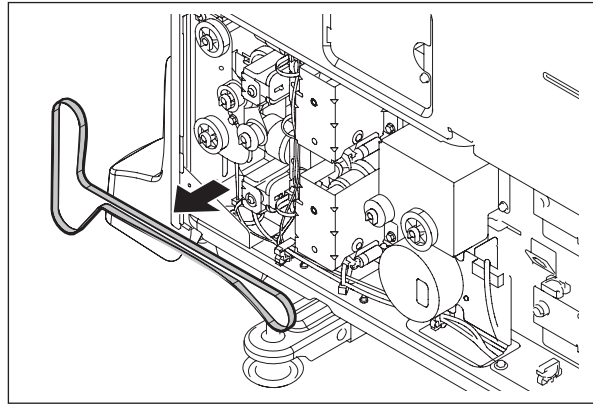


Fig. 4-36

Note:

When installing the belt, be sure to confirm the gap between the belts with the following procedure.

1. Install the belt in KD-1025.
2. Tighten 1 fixing screw of the tensioner bracket.
3. Confirm that the gap between the belts is approx. 3 mm.

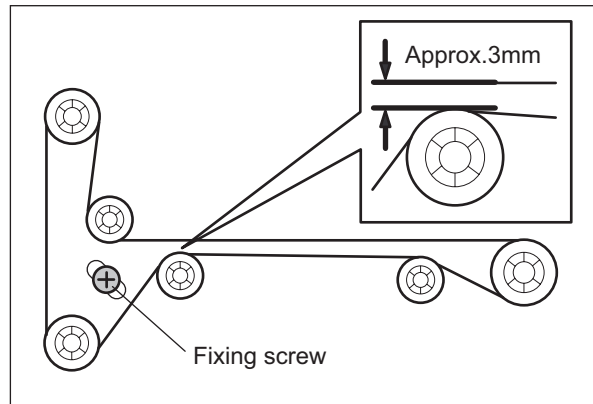


Fig. 4-37

- (4) Remove 1 connector and take off the PFP motor assembly.

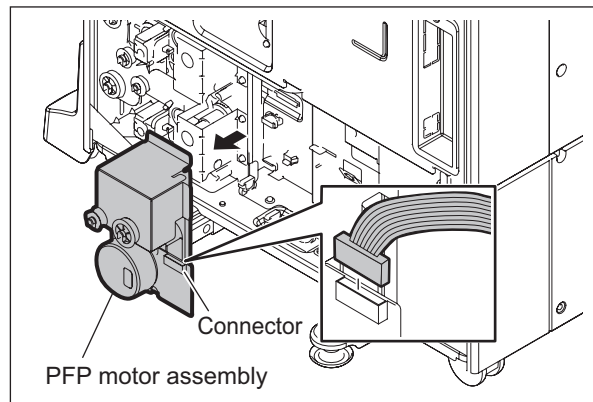


Fig. 4-38

4.5 Feed/Separation/Pickup Roller

[A] Drawer feeding unit

- (1) Pull out the drawer for which the drawer feeding unit will be taken off and the drawer immediately above.
📖 P.4-1 "[A] Drawers"
- (2) Remove 1 screw and pull the drawer feeding unit toward the inside of the copier.

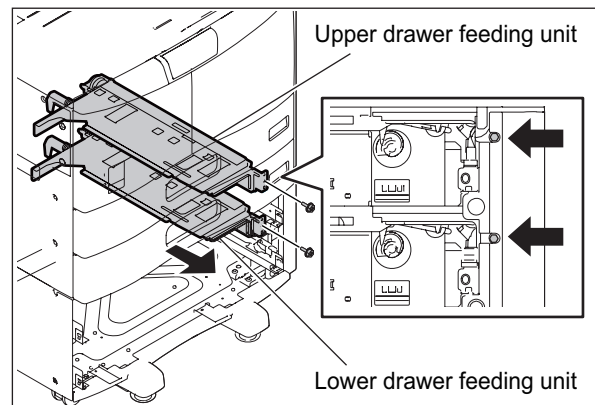


Fig. 4-39

[B] Separation roller **PM**

- (1) Take off the drawer feeding unit.
📖 P.4-15 "[A] Drawer feeding unit"
- (2) Remove 1 screw and take off the separation roller holder.

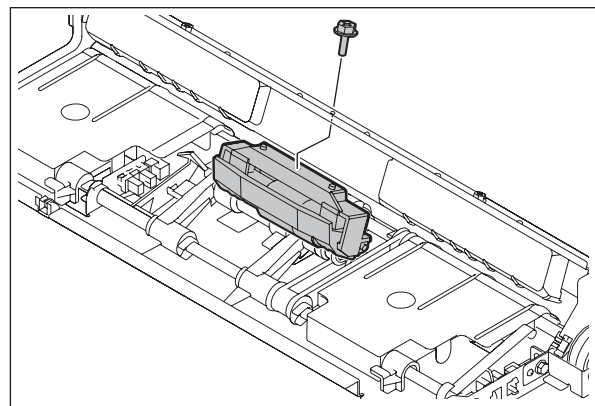


Fig. 4-40

- (3) Remove the lever from the holder and take off the separation roller with the shaft.

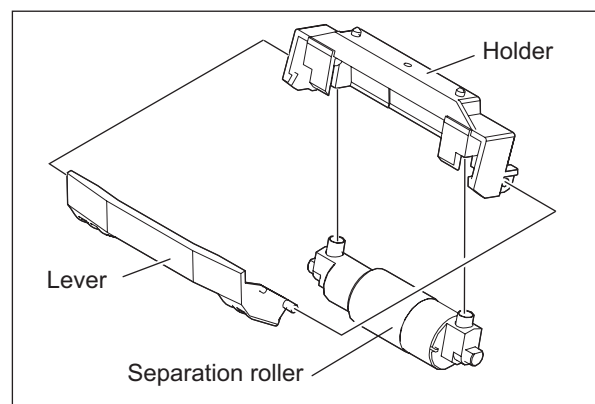


Fig. 4-41

- (4) Remove the cover, the arbor, and the clutch spring from the shaft, and then take off the separation roller.

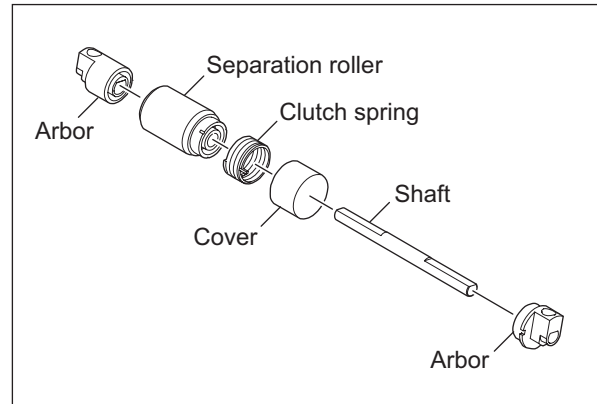


Fig. 4-42

[C] Feed roller **PM**

- (1) Take off the drawer feeding unit.
 📖 P.4-15 "[A] Drawer feeding unit"
- (2) Take off the separation roller holder.
 📖 P.4-15 "[B] Separation roller"
- (3) Remove the clip and take off the feed roller.

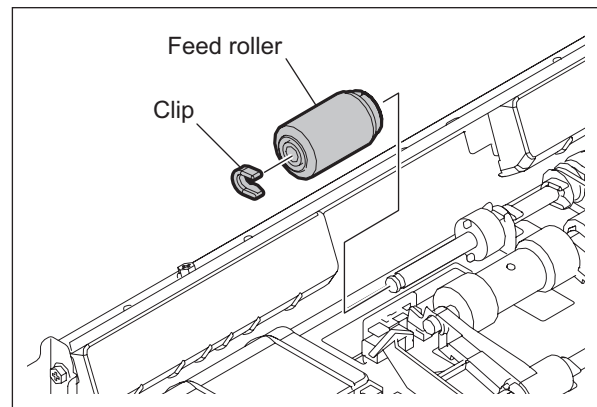


Fig. 4-43

[D] Pickup roller **PM**

- (1) Take off the drawer feeding unit.
 📖 P.4-15 "[A] Drawer feeding unit"
- (2) Raise the pickup arm and release the pickup roller assembly.
- (3) Remove the belt and take off the pickup roller assembly.

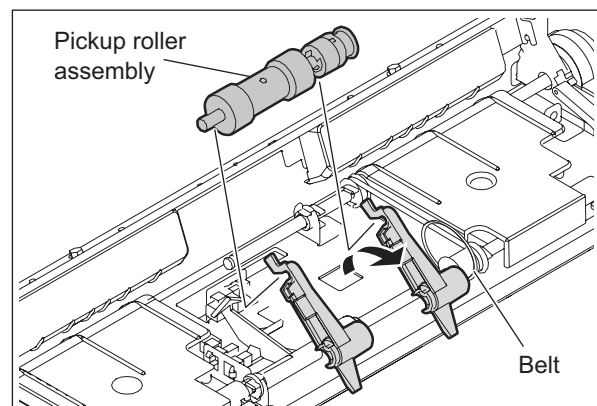


Fig. 4-44

- (4) Remove pulley, one-way clutch, and 3 E-rings to take off the pickup roller.

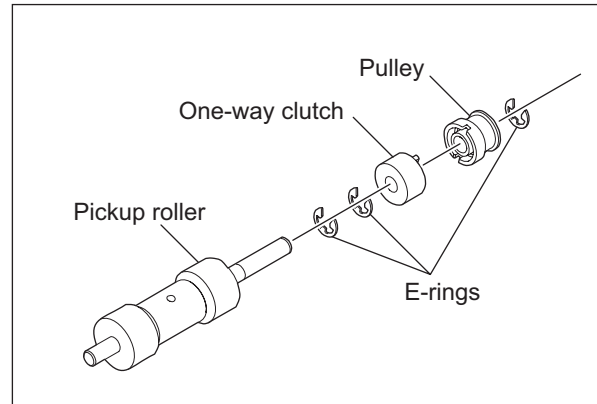


Fig. 4-45

[E] Drawer feed clutch (CLT2/CLT3)

- (1) Take off the drawer feeding unit.
 P.4-15 "[A] Drawer feeding unit"
- (2) Remove 2 screws, and take off the clutch bracket and the bushing.

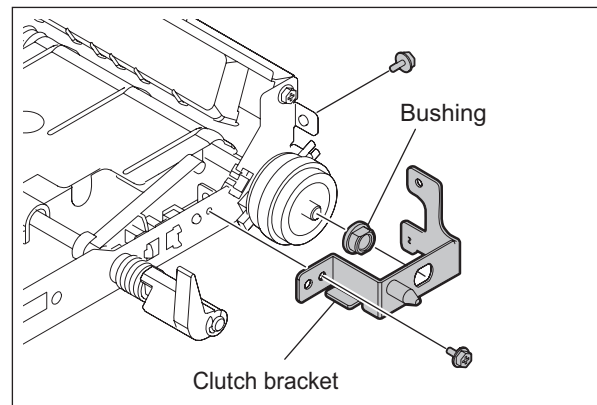


Fig. 4-46

- (3) Remove 1 connector and take off the clutch.

Note:

Match the protruding portion of the clutch with the position shown in the figure for assembling.

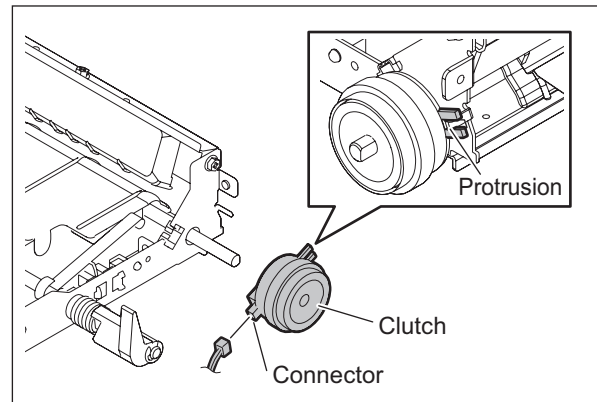


Fig. 4-47

4.6 Switches and Sensors

[A] Tray-up sensor (S4/S5)/paper empty sensor (S6/S7)

- (1) Take off the drawer feeding unit.
📖 P.4-15 "[A] Drawer feeding unit"
- (2) Remove 1 screw and take off the front side cover.

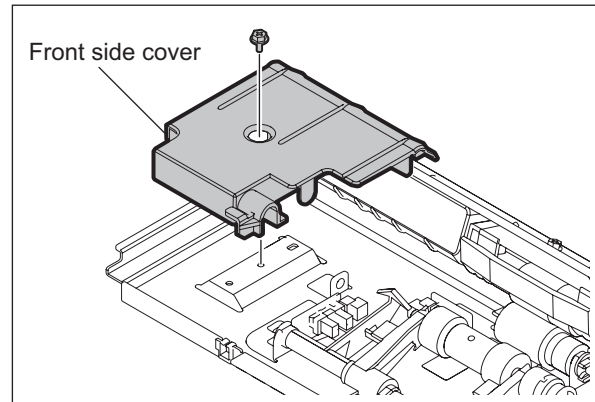


Fig. 4-48

- (3) Disconnect the connector and release the latch to take off the tray-up sensor.
- (4) Disconnect the connector and release the latch to take off the empty sensor.

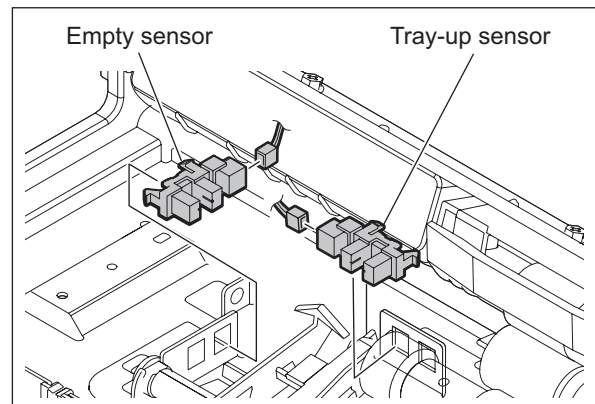


Fig. 4-49

[B] Paper stock sensor (S10/S11)

- (1) Take off the drawer feeding unit.
📖 P.4-15 "[A] Drawer feeding unit"
- (2) Pull up the paper stock sensor lever.
- (3) Disconnect the connector and release the latch to take off the paper stock sensor.

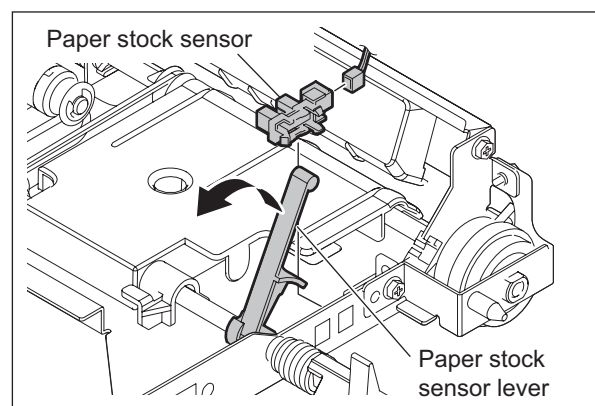


Fig. 4-50

[C] Upper/lower drawer feed sensor (S2/S3)

- (1) Take off the side cover.
P.4-3 "[G] Side cover"
- (2) Remove 6 screws and take off the guide.

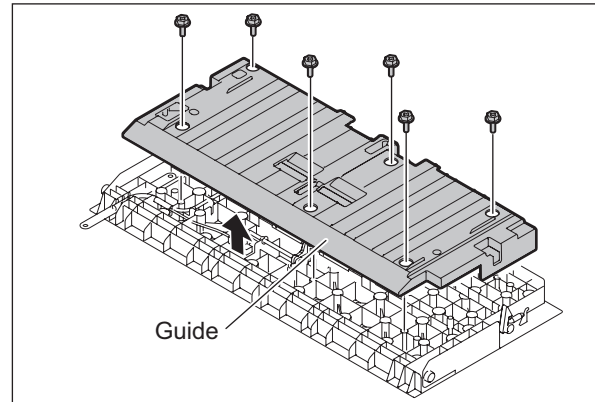


Fig. 4-51

- (3) Disconnect 1 connector.
- (4) Release the latches and take off the sensor.

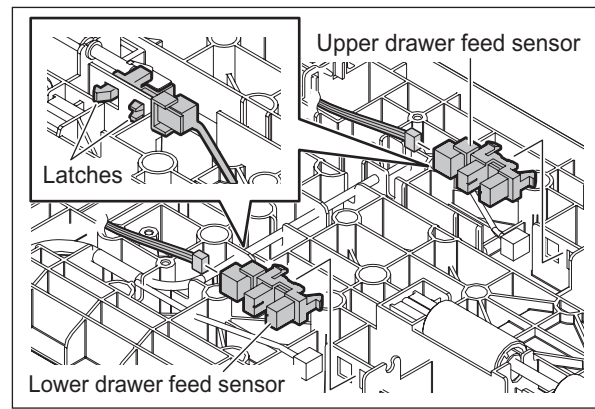


Fig. 4-52

[D] Side cover open/close switch (S1)

- (1) Take off the side cover.
P.4-3 "[G] Side cover"
- (2) Remove 6 screws and take off the guide.

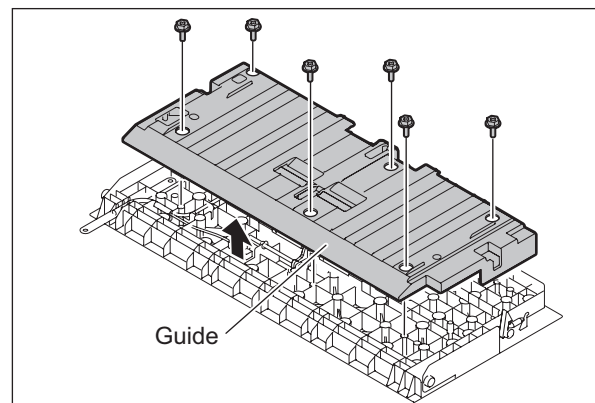


Fig. 4-53

- (3) Release the latches and take off the switch.
- (4) Disconnect the connector.

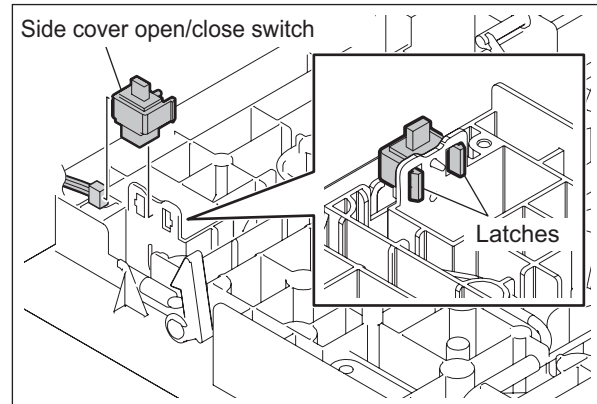


Fig. 4-54

[E] Upper/lower drawer detection switches (S8/S9)

- (1) Take out the drawer.
 ☞ P.4-1 "[A] Drawers"
- (2) Take off the rear cover.
 ☞ P.4-2 "[D] Rear cover"
- (3) Take off the PFP motor assembly.
 ☞ P.4-13 "[D] PFP motor assembly"
- (4) Disconnect the connectors connected to the drawer detection switch.
- (5) Release the latches and remove the switch from the front side.

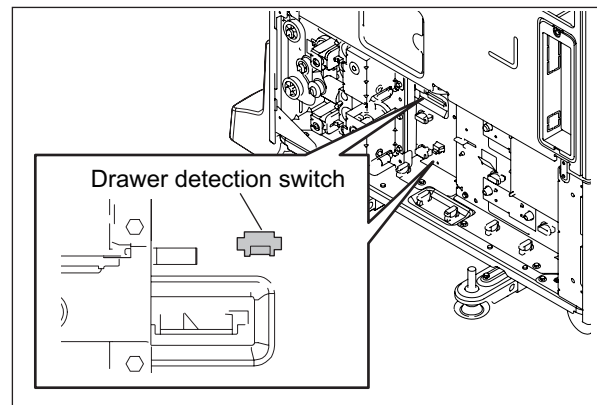


Fig. 4-55

5. ELECTRIC CIRCUIT

5.1 Harness Diagram

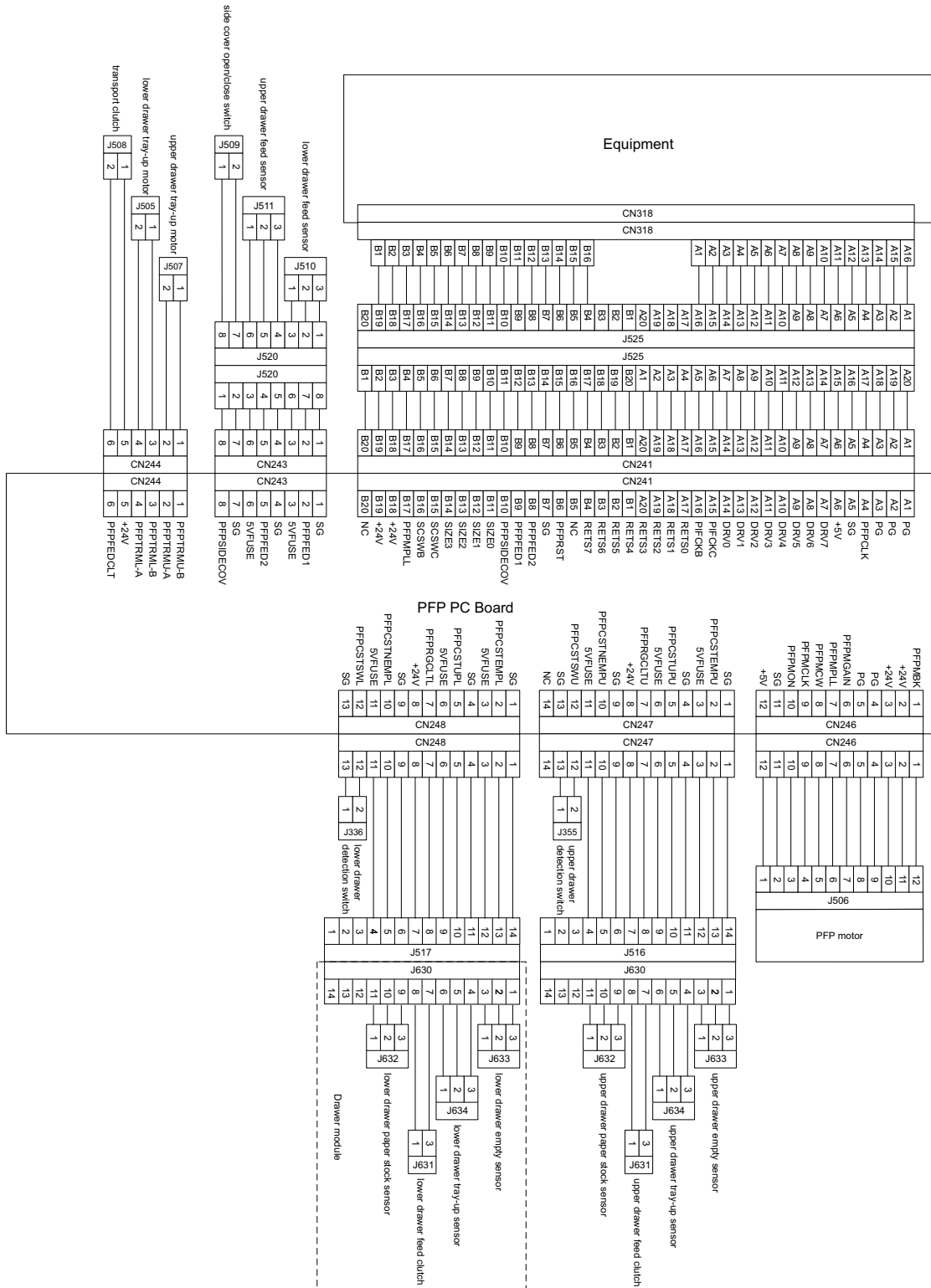


Fig. 5-1

5.2 Circuit Diagram

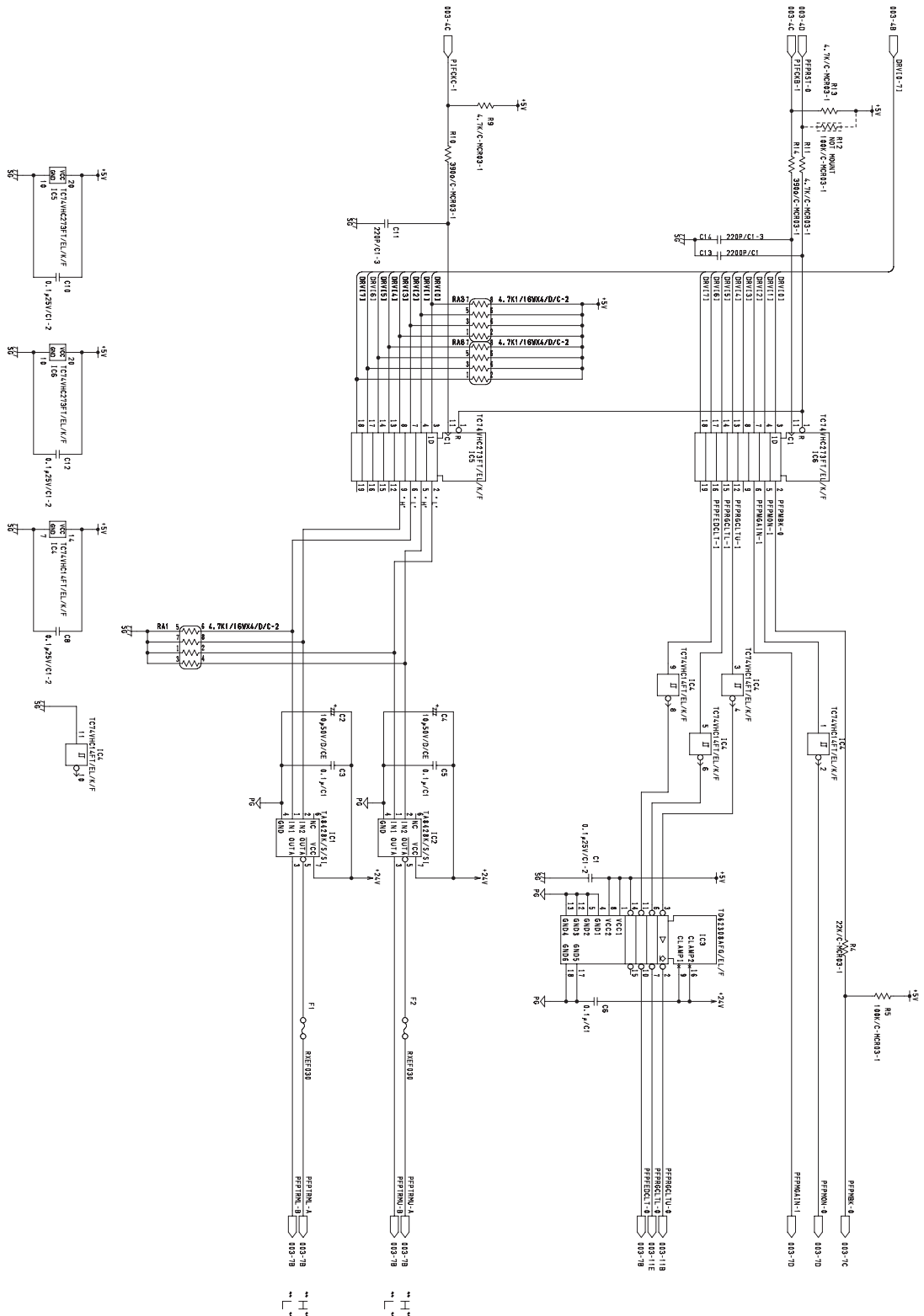


Fig. 5-2

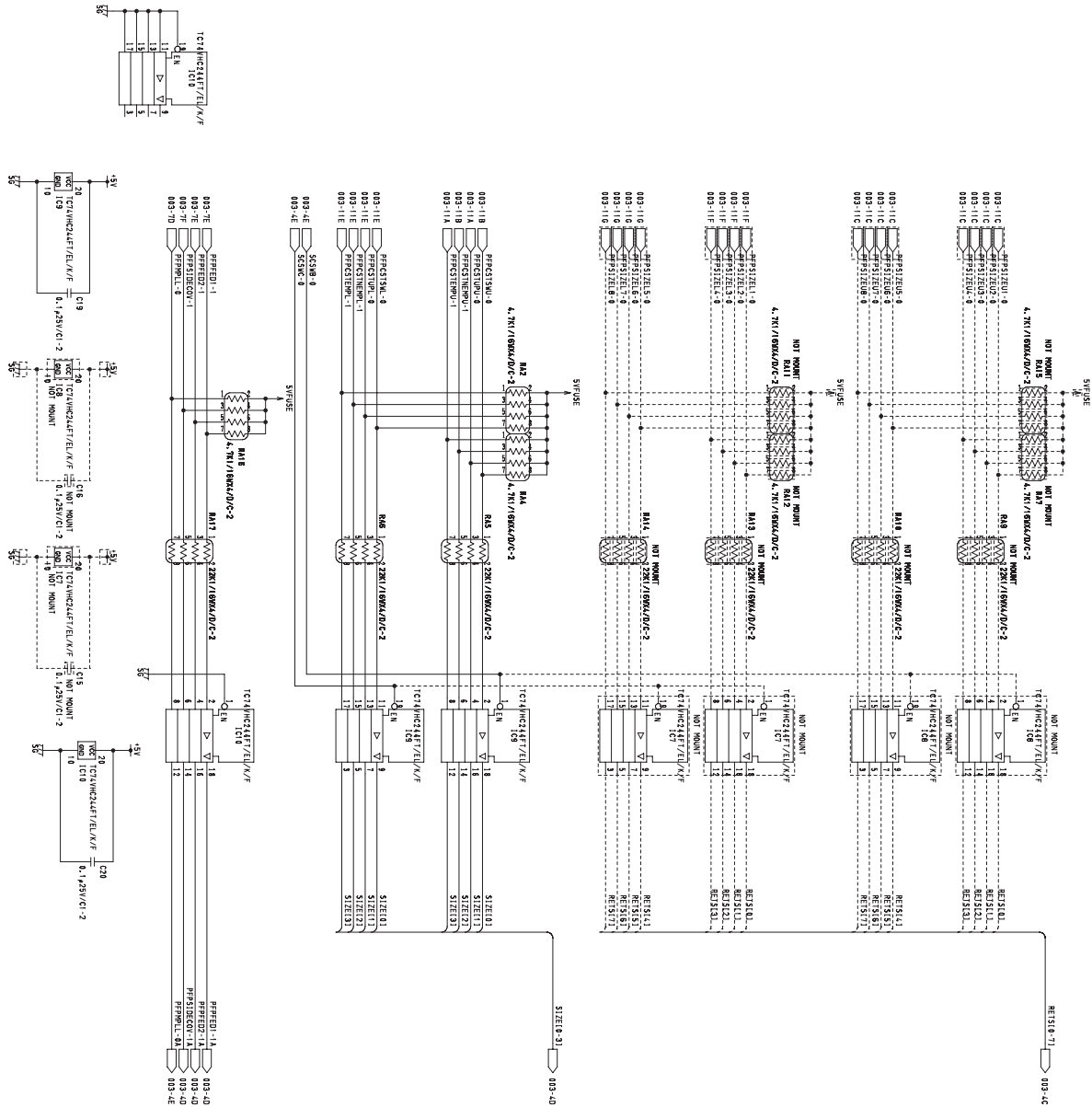


Fig. 5-3

Equipment

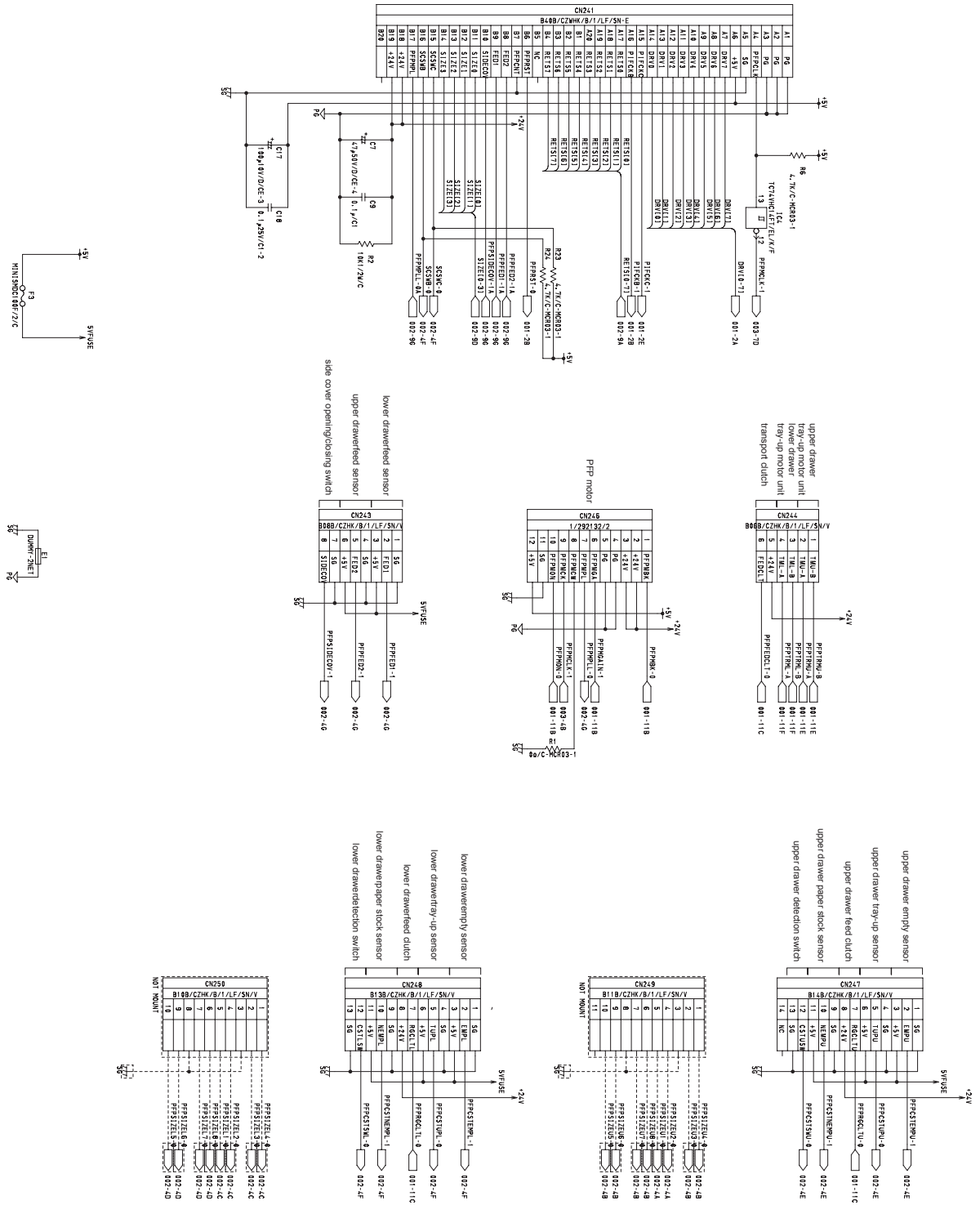


Fig. 5-4

5.3 PC Board

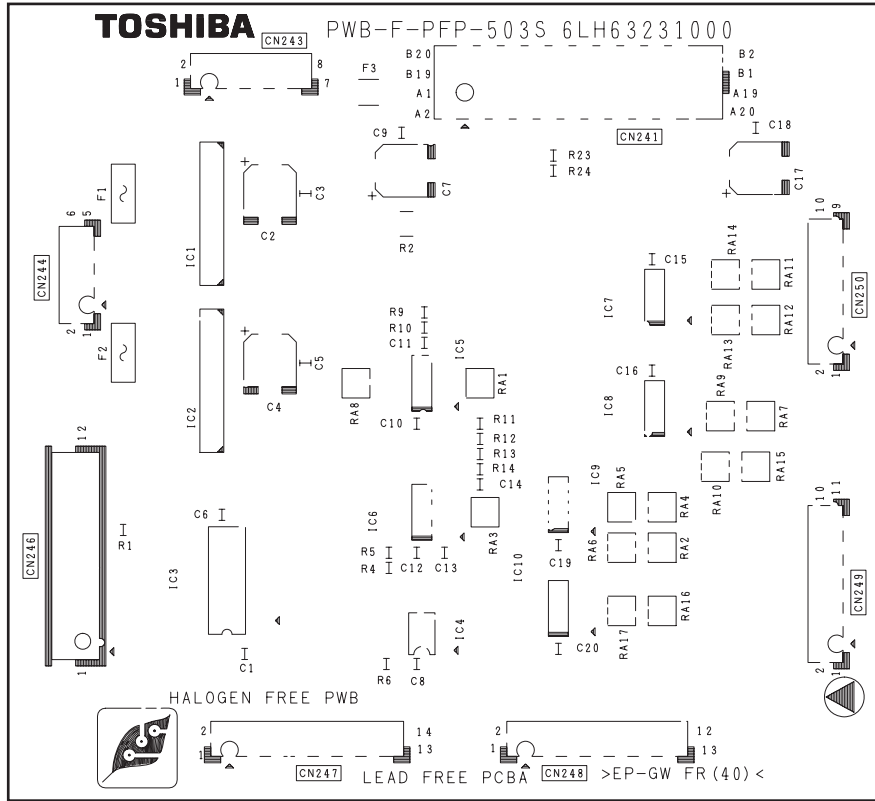


Fig. 5-5

6. PERIODIC MAINTENANCE

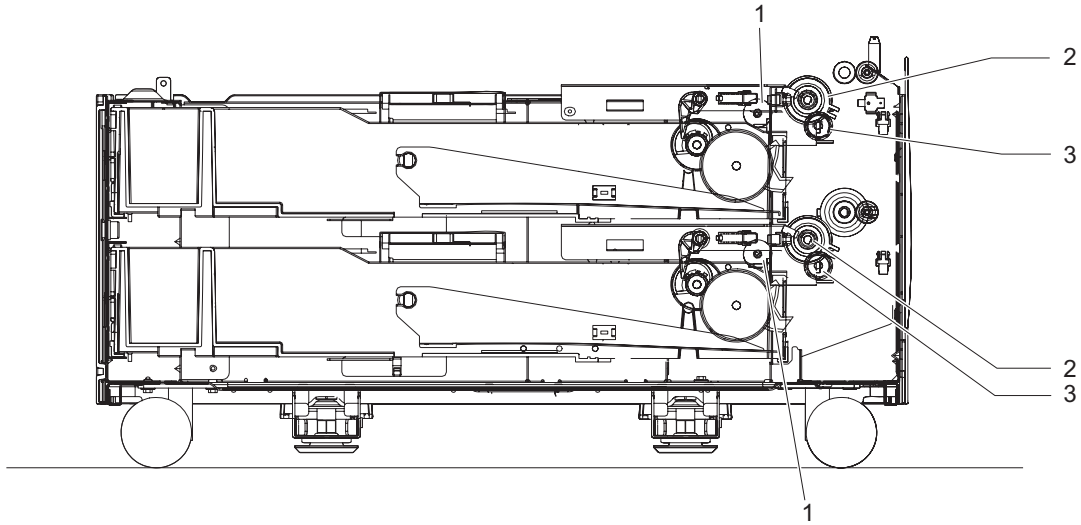


Fig. 6-1

Symbols used in the checklist

Cleaning	Lubrication/Coating	Replacement	Operation check
A: Clean with alcohol O: Clean with soft pad, cloth or vacuum cleaner	W1: White grease (Molykote EM-30L) W2: White grease (Molykote HP-300) AV: Alvania No.2 L: Launa 40	Value: Replacement cycle R: Replace if deformed or damaged	O: After cleaning or replacement, confirm there is no problem.

Preventive Maintenance Checklist

Note:

Page-Item (P-I) is described in the column of the Parts list.

Items to check	Cleaning	Lubrication/Coating	Replacement (x 1,000 sheets)	Operation check	Parts list <P-I>	Remarks
1 Pickup roller (upper/lower)	A		80			
2 Feed roller (upper/lower)	A		80			
3 Separation roller (upper/lower)	A	AV, W2	80			*c1
4 Drive gear (tooth face/shaft)		W1				*c2
5 Transport roller (upper/lower)	A		R			
6 Paper guide	O					
7 GCB bushing bearing		L				
8 One side of the plastic bushing		W1				

* c1. Separation roller

Apply an even coat of grease (Alvania No.2) to all round the inside of the spring. When replacing the separation roller, apply adequate amount of white grease (Molykote HP-300) on the places of the holder shown in the figure (4 places).

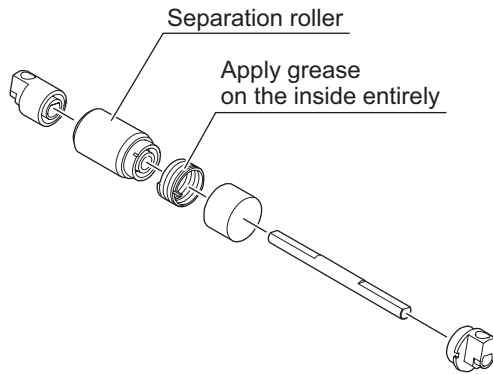


Fig. 6-2

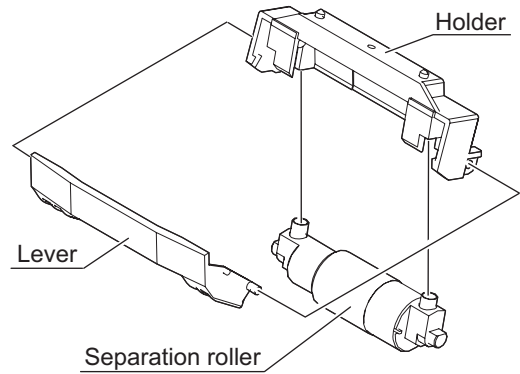


Fig. 6-3

Note:

Make sure that the grease does not adhere to the roller surface. Wipe it off with alcohol if adhered.

* c2. Drive gears in the paper feeding section (teeth of gears and shafts)

Apply some white grease (Molykote EM-30L) to the teeth of gears and shafts of the drive gears.

Note:

Make sure that oil is not running over or scattered around as the gear is rotated coming into the clutch after applying Molykote to the gear which is located near the clutch. The quantity of Molykote should be smaller than that to be applied to the other parts.

REVISION RECORD

Ver.02

Ver.02 <2011.12.15>	
Page	Contents
-	The TOSHIBA logo on the cover page has been changed.
-	The copyright description on the back side of the cover page has been changed.
5-1	The model name in "5.1 Harness Diagram" has been changed.

Ver.01

Ver.01 <2010.02.05>	
Page	Contents
4-7	"Note" and an illustration for installing the belt have been added.
4-11	"Note" and an illustration for installing the belt have been added.
4-14	"Note" and an illustration for installing the belt have been added.
5-1	"5.1 Harness Diagram" has been corrected.

TOSHIBA

TOSHIBA TEC CORPORATION

2-17-2, HIGASHIGOTANDA, SHINAGAWA-KU, TOKYO, 141-8664, JAPAN

Free Manuals Download Website

<http://myh66.com>

<http://usermanuals.us>

<http://www.somanuals.com>

<http://www.4manuals.cc>

<http://www.manual-lib.com>

<http://www.404manual.com>

<http://www.luxmanual.com>

<http://aubethermostatmanual.com>

Golf course search by state

<http://golfingnear.com>

Email search by domain

<http://emailbydomain.com>

Auto manuals search

<http://auto.somanuals.com>

TV manuals search

<http://tv.somanuals.com>