

UNINTERRUPTIBLE POWER SYSTEMS



XT

4200FA Series

15/25/30/50/80 kVA UPS

3 Year Warranty

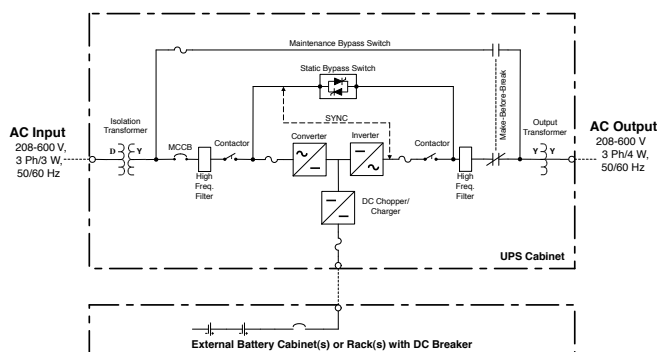
- True On-Line Double Conversion UPS
- Input Power Factor > 0.99
- Input Current THD < 3%
- Wide Input Voltage Window +20% to -30%
- Wide Input Frequency Window 45 to 65 Hz
- All IGBT 12 kHz Design (Rectifier/DC Converter/Inverter)
- Electronic Power Factor Correction for 100% Generator Compatibility
- Complete Front Access for Installation, Operation, and Service
- External Battery Options for Customized Battery Back-Up Time
- XT Series is Designed for Extreme Applications
- Internal Isolation Transformer(s)
- Internal Maintenance Bypass Switch*
- 100% Unbalanced Load Capability
- SNMP/Web-Based Monitoring

Reliability *in motion*[®]

4200FA XT 15/25/30/50/80 kVA UPS

Model Number		T42X3X150XAMXN	T42X3X250XAMXN	T42X3X300XAMXN	T42X3X500XAMXN	T42X3X800XAXXN
Capacity	kVA/kW	15/12	25/20	30/24	50/40	80/64
Topology	True On-line, Double Conversion, IGBT PWM, with Active Input Power Factor Correction					
Input	Voltage	208 V, 220 V, 240 V, 380 V, 415 V, 480 V, 600 V, 3 Phase, 3 w + Gnd				
	Voltage Range	+10% to -30%; +20% to -30% Online (Without Utilizing Battery)				
	Power Factor	Greater than 0.99				
	Current THD	Less than 3%				
	Frequency	50/60 Hz (range 45 to 65 Hz)				
	Current Limit	115% maximum				
Output	Voltage	208 V, 220 V, 240 V, 380 V, 415 V, 480 V, 600 V, 3 Phase, 4 w + Gnd				
	Frequency	50/60 Hz \pm 0.01% (Can be Used as a Frequency Converter)				
	Voltage Regulation	< 1% balanced, 100% load step; < 2% unbalanced, 100% load step				
	Overload (inverter)	125% for 90 sec, 150% for 30 sec				
	Overload (bypass)	125% for 10 min, 1,000% for 10 ms				
Battery	DC Link	288 VDC				
	Ripple Voltage	<.5% DC				
Environment	Temperature Range	0 to 40°C (operating)/-20 to +50°C (storage)				
	Relative Humidity	0 to 95% non condensing				
	Heat Rejection	5,733 BTUs	7,600 BTUs	9,100 BTUs	17,737 BTUs	24,270 BTUs
	Efficiency	AC/DC/AC 87.7%, DC/AC 90%			AC/DC/AC 88.5%	AC/DC/AC 90%
Dimensions	Dimensions (L x D x H)	20" x 36.3" x 59.8"			35.6" x 37.6" x 59.8"	44" x 31" x 74"
(1 / 2) Transformer(s)	UPS Weight (lb)	1,275/1,475	1,275/1,475	1,275/1,475	1,581/1,941	2,450
	Altitude	6,600 ft (2000 m) (Maximum Without Derating)				
	Audible Noise	< 60 dBA at 1 m			< 65 dBA at 1 m	< 65 dBA at 1 m
Features	Internal Make-before-break Maintenance Bypass Switch*, RS232 and Dry Contact Interface					
Options	Dual Input Feed, Air Filters for Door, RemotEye II®					
Standards	UL 1778, cUL, NEC, ISO9001, ISO14001, ANSI C62.41 (IEEE 587), NEMA PE1-1993					
Warranty	(See Toshiba Warranty Policy for Full Details.)					
Service	7 x 24 Technical Support 1-877-867-8773 (1-UPS-TOS-UPS3)					

* Not available on 80 kVA



UPS ADJUSTABLE SPEED DRIVES MOTORS CONTROLS INSTRUMENTATION PLC

TOSHIBA

Available Through:

TOSHIBA INTERNATIONAL CORPORATION

INDUSTRIAL DIVISION

13131 West Little York Road, Houston, Texas 77041

Tel 713/466-0277 Fax 713/466-8773

US 800/231-1412 Canada 800/872-2192 Mexico 001/800/527-1204

www.toshiba.com/ind

Copyright 11/2006



Free Manuals Download Website

<http://myh66.com>

<http://usermanuals.us>

<http://www.somanuals.com>

<http://www.4manuals.cc>

<http://www.manual-lib.com>

<http://www.404manual.com>

<http://www.luxmanual.com>

<http://aubethermostatmanual.com>

Golf course search by state

<http://golfingnear.com>

Email search by domain

<http://emailbydomain.com>

Auto manuals search

<http://auto.somanuals.com>

TV manuals search

<http://tv.somanuals.com>