

UNINTERRUPTIBLE POWER SYSTEMS



XT

Isolated-Redundant UPS Systems

- Mix and Match Modular kVA Sizes
- Mix and Match New and Existing Modules
- Modules Can be in Separate Rooms
- Simple Maintenance Scheme without Transfers to Utility Power
- Sequential Installation and Startup
- Extended Battery Backup Time in Blackouts
- Higher Operating Efficiencies and Reliability

Reliability in motion™

ISOLATED-REDUNDANT UPS SYSTEMS

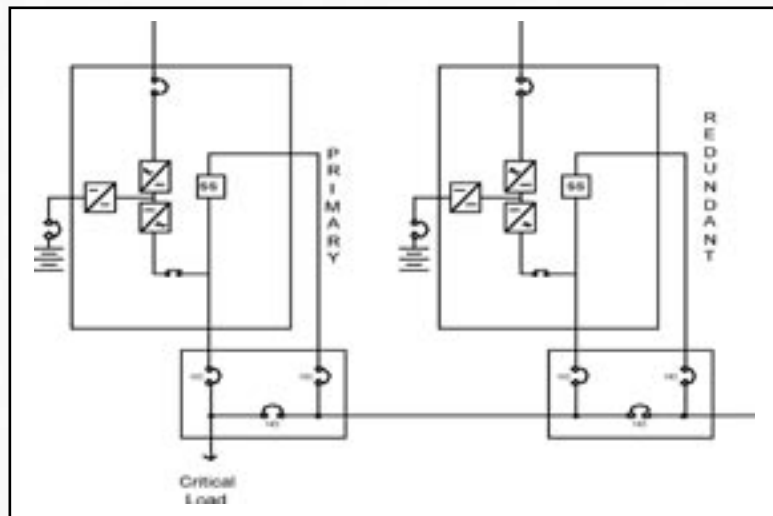
Toshiba's Isolated Redundant UPS System offers the ultimate in reliability, maintainability and availability. This UPS system delivers maximum design flexibility that is unmatched by any other configured UPS design.

An isolated-redundant UPS system allows the user to *never* have critical loads exposed or fed from the utility source, even during UPS module failures or UPS module maintenance. The principal behind this system is that the critical load is divided into separated, isolated segments, which means that *the failure of one segment cannot affect the other load segments*. Reliability is maximized and common-mode failure is minimized!

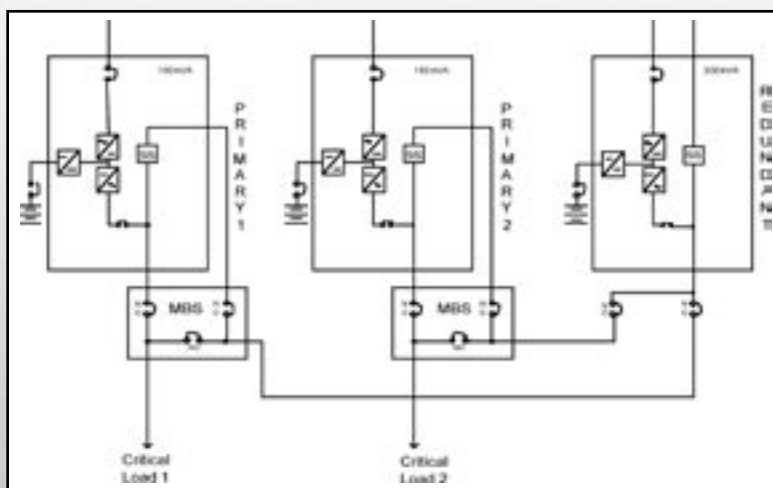
Each load segment can be a single, modular UPS system. If a UPS load segment failure causes a transfer to static bypass, the static bypass source is *another standby UPS system*.

In isolated redundant systems, the standby UPS system is always ready to support the critical load since it is on-line and keeps its own battery plant charged. A key requirement of this system is that the standby UPS system must accept a 100% step load with minimal transient voltage. Toshiba's design can handle 100% step load without using the batteries and maintaining a less than 5% voltage distortion, making this UPS configuration the right choice for many customers.

Isolated-Redundant UPS Module



Oversized Redundant UPS Module



UPS ADJUSTABLE SPEED DRIVES MOTORS CONTROLS INSTRUMENTATION PLC

TOSHIBA

TOSHIBA INTERNATIONAL CORPORATION

INDUSTRIAL DIVISION

13131 West Little York Road, Houston, Texas 77041

Tel (713)466-0277 Fax (713)892-5212

US (800)231-1412 Canada (800)872-2192 Mexico 01(800)527-1204

www.tic.toshiba.com

Copyright 12/2005

Available Through:



Free Manuals Download Website

<http://myh66.com>

<http://usermanuals.us>

<http://www.somanuals.com>

<http://www.4manuals.cc>

<http://www.manual-lib.com>

<http://www.404manual.com>

<http://www.luxmanual.com>

<http://aubethermostatmanual.com>

Golf course search by state

<http://golfingnear.com>

Email search by domain

<http://emailbydomain.com>

Auto manuals search

<http://auto.somanuals.com>

TV manuals search

<http://tv.somanuals.com>