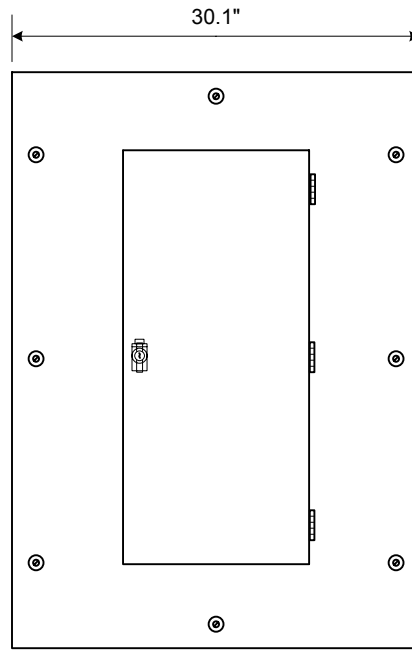
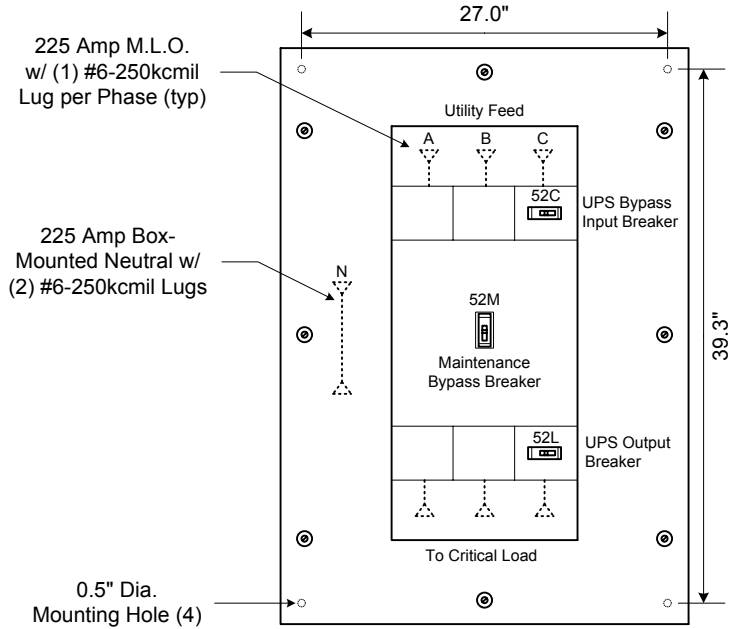


Left Side View



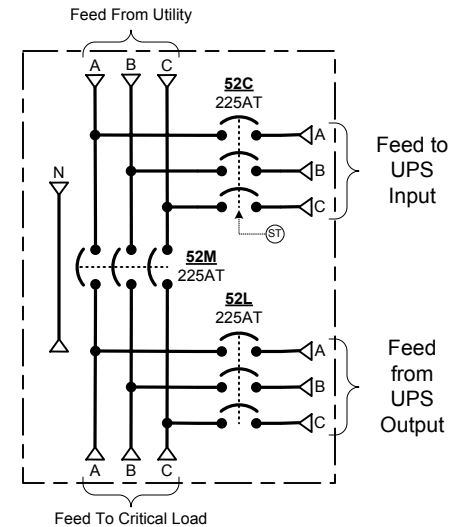
Front View



Front View
(Door Removed)

Part No.	UPS KVA	UPS Output Amp Rating	Breaker Type	Voltage	kAIC rating at 480/600V
MBSB80-225-43	150	180	FD	480/600	25/14

- Enclosure - NEMA 1, Surface-Mount (UL Listed).
- Box/Trim - 12-Gauge painted steel, trim held with adjustable clamps; Door equipped with one 3x5 directory cardholder and Corbin type 15767 Snaplock.
- Finish - Beige polyester powdercoat on all surfaces, treated with sealer.
- Breakers - Cutler-Hammer thermal-magnetic type, 225A frame, 3-pole, trip settings as shown, supplied with (1) #4-4/0 terminal lug per phase.
- Weight - Approximately 190 lbs total.



NOTES

1) This drawing is for illustration purposes only and is subject to change without notice. TIC is not responsible for any errors or omissions.

Drawn by
EO
Date 07/07/04
Approved by
JIS
Date 07/07/04

TOSHIBA

INTERNATIONAL CORPORATION
Houston Texas, USA

THIS MATERIAL IS THE EXCLUSIVE PROPERTY OF TOSHIBA INTERNATIONAL CORPORATION AND SHALL NOT BE REPRODUCED, USED, OR DISCLOSED TO OTHERS UNLESS PRIOR WRITTEN AUTHORIZATION IS OBTAINED.

TITLE

150kVA G8000 Series UPS
3-Breaker Maintenance Bypass Panel

DRAWING NO.

MBSB80-225-43

REV.

1.0

Free Manuals Download Website

<http://myh66.com>

<http://usermanuals.us>

<http://www.somanuals.com>

<http://www.4manuals.cc>

<http://www.manual-lib.com>

<http://www.404manual.com>

<http://www.luxmanual.com>

<http://aubethermostatmanual.com>

Golf course search by state

<http://golfingnear.com>

Email search by domain

<http://emailbydomain.com>

Auto manuals search

<http://auto.somanuals.com>

TV manuals search

<http://tv.somanuals.com>