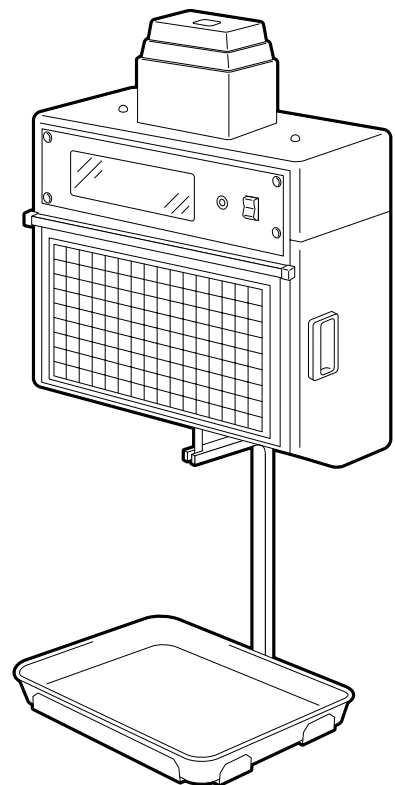


TEC

TEC Electronic Computing Scale

SL-9000/9000N-FFH-US/CA/QR

Owner's Manual



TOSHIBA TEC CORPORATION

TABLE OF CONTENTS

	Page
1. INTRODUCTION	1- 1
1.1 APPLICABLE MODEL	1- 2
1.2 ACCESSORIES.....	1- 2
2. SPECIFICATION	2- 1
2.1 SCALE	2- 1
2.2 OPTION	2- 2
3. APPEARANCE.....	3- 1
4. DISPLAY.....	4- 1
4.1 US TYPE.....	4- 1
4.2 CA/QR TYPE	4- 2
5. KEY LAYOUT	5- 1
5.1 PROGRAMMING KEYBOARD.....	5- 1
5.2 OPERATION KEYBOARD AND SPEED KEYBOARD.....	5- 3
6. PROCEDURE BEFORE OPERATION.....	6- 1
7. INSTALLATION PROCEDURE	7- 1
8. REMOVAL AND REPLACEMENT OF RECEIPT/LABEL.....	8- 1
9. OUTLINE OF OPERATION	9- 1
10. PROGRAMMING PROCEDURES	10- 1
10.1 PLU DATA EDIT.....	10- 4
10.2 PLU DATA SETTING	10- 5
10.3 INGREDIENT MESSAGE	10- 7
10.4 NUTRITION SETTING.....	10- 8
10.5 PLU VERIFYING LABEL	10-12
10.6 ADDRESS AND COMMERCIAL MESSAGE SETTING	10-13
10.7 COMBINATION MESSAGE	10-14
10.8 SPECIAL INFORMATION.....	10-16
10.9 GRADE LINE.....	10-16
10.10 SPEED KEY SETTING.....	10-17
10.11 PRINT FORMAT.....	10-18
10.12 DATE/TIME SETTING	10-20
10.13 CMT/PL-3.....	10-20
10.14 IN-LINE/LOCAL.....	10-23
10.15 LON SYSTEM.....	10-24
10.16 BAR CODE FORMAT	10-26
10.17 TITLES.....	10-28
10.18 TRANSFERRING LOGO DATA	10-29
10.19 IDIOM SETTING.....	10-30
10.20 VENDOR SETTING.....	10-31
10.21 FREE FORMAT SETTING.....	10-32

	Page
11. PROGRAMMED DATA VERIFICATION REPORTS.....	11- 1
12. PASSWORD SECURITY	12- 1
12.1 SETTING PASSWORD AND PROTECT MENU.....	12- 1
12.2 CALLING MENU BY ENTERING PASSWORD	12- 3
13. OPERATING PROCEDURES	13- 1
13.1 WEIGHING OPERATION.....	13- 2
13.2 FIX PRICE OPERATION (FOR US TYPE ONLY).....	13- 3
13.3 BY COUNT OPERATION.....	13- 4
13.4 PRINT COUNT OPERATION.....	13- 6
13.5 ISSUING LABELS WITH NET WEIGHT STATEMENT (FOR US TYPE ONLY).....	13- 9
13.6 TARE/SAVE FUNCTION PROCEDURES	13-11
13.7 CALLING AND PRINTING GRADE LINES	13-12
13.8 CALLING AND PRINTING LOGOS	13-13
13.9 SELECTING PRINT ITEM.....	13-14
13.10 DATE CHANGE.....	13-15
13.11 BATCH PRINT MODE (with 30 Items Run Assignment).....	13-16
13.12 VISUAL COMMODITY LIBRARY	13-19
13.13 FLOATING VENDOR.....	13-20
14. TOTAL OPERATION.....	14- 1
14.1 HOURLY TOTAL REPORT.....	14- 2
14.2 GRAND TOTAL REPORT.....	14- 2
14.3 PLU TOTAL REPORT	14- 2
14.4 VENDOR TOTAL REPORT	14- 3
15. ERROR MESSAGE TABLE.....	15- 1
16. CLEANING THE PRINT HEAD	16- 1
17. TROUBLESHOOTING.....	17- 1

WARNING!

1. *The installation should be authorized installing dealer. Please contact your nearest TOSHIBA TEC representative.*
2. *Installation by anyone except an authorized installing dealer will release the manufacturer from all liability for damage or injury to users.*
3. *Scale is prohibited to be hung from a plaster or wooden board. It has to be installed on structural materials (concrete, steel frame, beam and pillar, etc.)*
4. *Do not exceed the platter weight of maximum capacity. Or hang any item from the scale which exceed the platter weight.*

CAUTION:

1. *This manual may not be copied in whole or in part without prior written permission of TOSHIBA TEC.*
2. *The contents of this manual may be changed without notification.*
3. *Please refer to your local Authorized Service representative with regard to any queries you may have in this manual.*

1. INTRODUCTION

Thank you for purchasing the TEC SL-9000 electronic computing scale. The TEC SL-9000 is designed to be hung from the ceiling. As you will discover, it has many features and functions designed for user friendliness as well as complete customer satisfaction.

The 256x64 dot fluorescent display provides customers with ample information, the 216 speed keys realize a higher degree of operability, and the 3 inch/sec. print speed ensures fast and clear printing. Password security prevents unauthorized access to the PROG., M.DOWN, REWRAP, REPORT and RESET modes.

The latest high speed in-line system, Local Operation Network (LON), allows easy system configuration and greater throughput.

Various options, including a TMCC Interface, etc., are selectable in accordance with your needs.

We believe that your needs will now be fully satisfied, and you will have total reliability in price calculation. Should you have any questions concerning the scale, please refer to this manual. Be sure to keep this manual for future reference.

This equipment has been tested and found to comply with the limits for a Class A digital device, pursuant to Part 15 of the FCC Rules. These limits are designed to provide reasonable protection against harmful interference when the equipment is operated in a commercial environment. This equipment generates, uses, and can radiate radio frequency energy and, if not installed and used in accordance with the instruction manual, may cause harmful interference to radio communications. Operations of this equipment in a residential area is likely to cause harmful interference in which case the user will be required to correct the interference at his own expense. (for USA only)

Changes or modifications not expressly approved by manufacturer for compliance could void the user's authority to operate the equipment.

"This Class A digital apparatus meets all requirements of the Canadian Interference-Causing Equipment Regulations."
"Cet appareil numérique de la classe A respecte toutes les exigences du Règlement sur le matériel brouilleur du Canada."

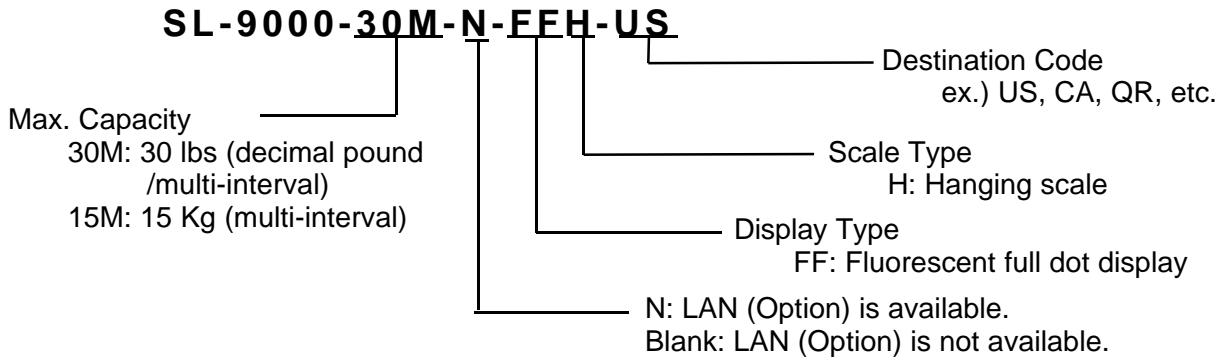
(for CANADA only)

Some procedures described in this manual may be illegal in various state jurisdictions. When there are optional settings to enable various functions or to disable functions. Please ensure that the optional settings for scale operation meet the local requirements of weights and measures. If you are uncertain of specific items, contact the state or county office of weights and measures for clarification.

1.1 APPLICABLE MODEL

- SL-9000-15M-FFH-CA
- SL-9000-15M-FFH-QR
- SL-9000-30M-N-FFH-US
- SL-9000-15M-N-FFH-CA
- SL-9000-15M-N-FFH-QR

The description of the model number is as follows.



1.2 ACCESSORIES

<p>Owner's Manual (EM1-31076)</p>	<p>Quality control report (US type only)</p>	<p>Print Head Cleaner (24089500013)</p>	<p>Sealing Lead</p>
<p>Stranded Wire</p>	<p>Rubber Pipe Cover</p>	<p>Nut (N-6)</p>	<p>Pipe Spacer</p>
<p>Hanging Support (R)</p>	<p>Cap Screw (M-6x12)</p>	<p>Cap Screw (M-6x60)</p>	<p>Spring Washer (SW-6)</p>
<p>Platter Mount Plate</p>	<p>Platter Arm</p>	<p>Platter</p>	

NOTE : Check that there are no missing or incorrect parts in the accessories

2. SPECIFICATION

2.1 SCALE

Item	US	CA	QR
Maximum Capacity	30 lb	15 Kg (30 lb)	
Minimum Scale Division	0.005 lb (0 to 15 lb.) 0.01 lb (15 to 30 lb.)	0.002 Kg (0 to 6 Kg) 0.005 Kg (6 to 15 Kg) 0.005 lb (0 to 15 lb) 0.01 lb (15 to 30 lb)	
Display Range	0 to 30.05 lb	0 to 15.025 Kg (0 to 30.05 lb)	
Maximum Tare	2.000 lb	1.000 Kg (2.205 lb)	
Unit Price Presetable	\$ 0.01 to 99.99	\$ 0.01 to 99.99	0 to 99999
Minimum Price Display	\$ 0.01	\$ 0.01	1
Power Requirement	AC 120 V ±10%, 60 Hz (US/CA type) AC 220 V ±10%, 50/60 Hz (QR type)		
Power Consumption	US/CA: 85 W, 1.4 A (Standby: 30 W, 0.5 A) QR: 80 W, 0.66 A (Standby: 32 W, 0.26 A)		
Temperature Limits	32°F to 104°F (0 to 40 °C)		
Relative Humidity	35 % to 85 % (No condensation)		
Message Display	256 x 64 dots Fluorescent display		
Weight	5 digits (US/CA type), 5 digits (QR type)		
Unit Price	4 digits (US/CA type), 5 digits (QR type)		
Total Price	5 digits (US/CA type), 6 digits (QR type)		
Display Mode	Dual sides		
Capacity of PLU Memory	SL-9000: 560 PLUs (Standard), 240 PLUs when LOGO is available. 3120 PLUs max. (Option) SL-9000N: 3600 PLUs max. (Standard)		
Print Head	Thermal Print Head (2 inch wide)		
Media Issue Method	On-demand/Batch		
Dot Density	193 dots/inch (7.6 dots/mm)		
Print Speed	3 inch/sec. (76.2 mm/sec.)		
Available Media Width	1.89 inch (48 mm), 2.24 inch (57 mm)		
Recommended Media	VHTS, VLTS (OSP)/Outer diameter: φ150 mm (Max.)		
Thermal Label	VHTS, VLTS (OSP)/Outer diameter: φ150 mm (Max.)		
Variable Length Label	120 FC (RICOH)/Outer diameter: φ90 mm (Max.)		
Thermal Receipt	CMT/PL-3 interface (Program Loader)		
Interface	LON interface (RS-485) TMCC interface (Option) LAN Interface (10 Base T, SL-9000N Option)		
Dimensions (approx.)	15.6 inch (width) x 7.1 inch (depth) x 19.3 inch (height)		
Without a platter	395 mm (width) x 181 mm (depth) x 490 mm (height)		
With a platter	15.6 inch (width) x 10.8 inch (depth) x 32.7 inch (height) 395 mm (width) x 274 mm (depth) x 830 mm (height)		
Weight	37.5 lb (17 Kg)		

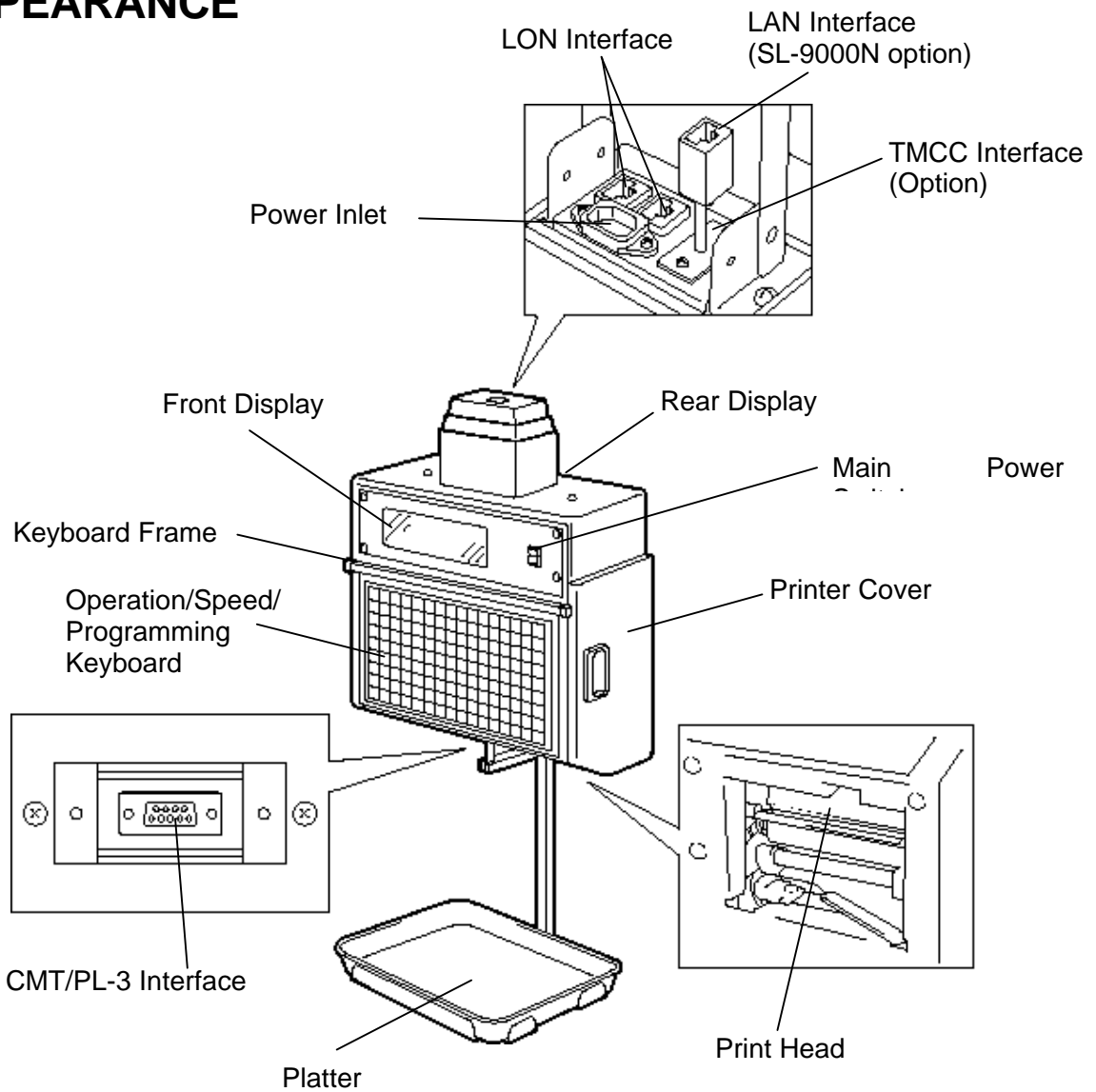
2.2 OPTION

Option Name		Model No. or Part No.	Description	Source
LON	LON Connector TM8P-88P	Part No. EAJ-0028001	A modular connector used to connect scales to each other in a LON configuration.	See Note 2
	LON Terminal Resistor 285D-8P	Part No. EAJ-0029001	A modular resistor attached to the scales connected at both ends of the LON configuration.	See Note 2
	LON Cable S-STLAN-2P (200 m/roll)	Part No. 10319100003	An 8-pin telephone cable used with the LON connectors attached to both ends of the cable. This cable connects scales to each other in a LON configuration.	See Note 2
TMCC	I/O PC Board	OP-9000-IOB	An I/O board equipped with the TMCC interface. It is used to construct a TMCC system.	See Note 1
	TMCC Cable kit	OP-9000-IOCN- TMCC	A cable kit for the TMCC interface.	See Note 1
MEMO PC Board (SL-9000 only)		OP-9000- PIGGYBACK OP-9000- PIGGYBACK-S/F	This board is used to expand the PLU memory to 4MB by installing the memory module.	See Note 1
Memory Module		OP-9000-RAM- 512KB	DIP type PS-RAM to be installed on the MEMO PC board (OP-9000-PIGGYBACK) for memory expansion. When expanding the memory, install the two modules as one set.	See Note 1 and 3
		OP-9000-SRAM- 512KB	DIP type S-RAM to be installed on the MEMO PC board (OP-9000-PIGGYBACK-S/F) for memory expansion. When expanding the memory, install the two modules as one set.	
Power Cord		-----	Please locally purchase a power cord of proper length for the installation location. Power cord shall be a standardized article of each destination.	See Note 1
10 Base T (LAN) Interface Board (SL-9000N only)		OP-9000N-LAN	This board enables the SL-9000N to be used in a LAN network.	See Note 1
LAN Cable Kit (SL-9000N only)		OP-9000N-LAN- FFH	This kit is required when installing the OP-9000N-LAN (LAN Interface Board) on the SL-9000N-FFH.	See Note 1

NOTES:

1. Contact TOSHIBA TEC H.Q. or your nearest TOSHIBA TEC representative.
2. Order from TOSHIBA TEC Parts Center or purchase locally.
3. When purchasing memory modules locally, select one having the following specifications.
*Maker: HITACHI Pseudo Static RAM (OP-9000-RAM-512KB)
HITACHI Static RAM (OP-9000-SRAM-512KB)
Type: HM658512ALP-8V 80 ns, 600 mil 32-pin Plastic DIP (DP-32) (OP-9000-RAM-512KB)
HM628512ALP-770ns, 600mil 32-pin Plastic DIP (DP-32) (OP-9000-SRAM-512KB)*
4. The MEMO PC Board (with Flash ROM) is installed in the SL-9000N model as standard.

3. APPEARANCE

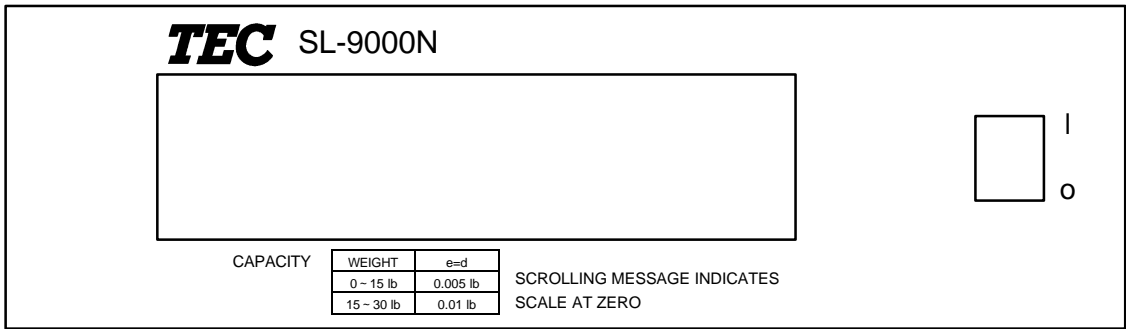


NOTE: To set the speed/operation key sheet, open the keyboard frame and insert the two tabs of the key sheet into the two slots of the keyboard frame bottom.

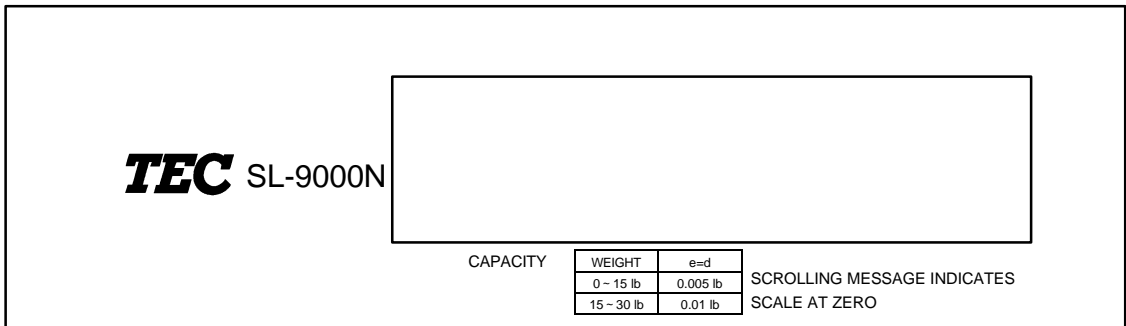
4. DISPLAY

4.1 US TYPE

■ Front Display Panel

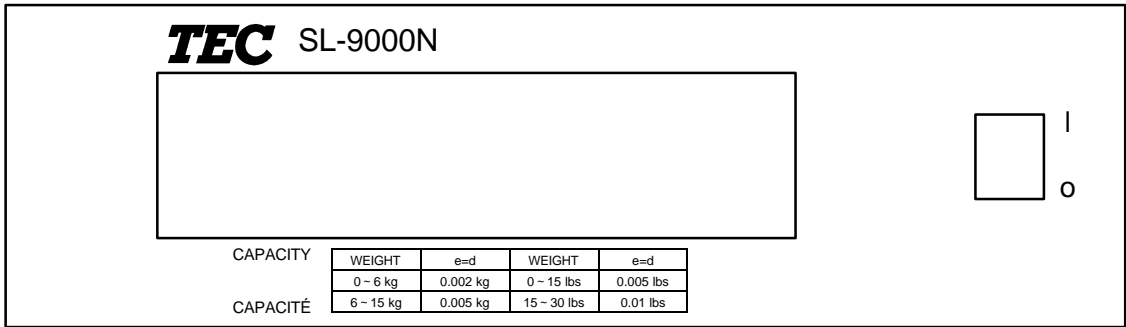


■ Rear Display Panel

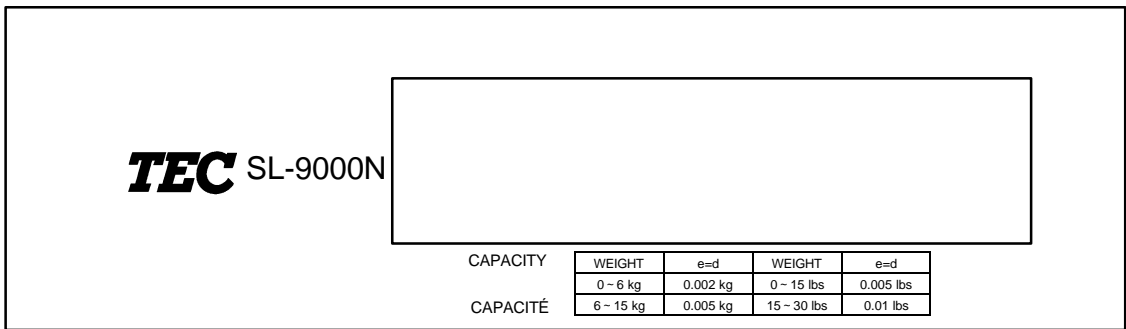


4.2 CA/QP TYPE

■ Front Display Panel



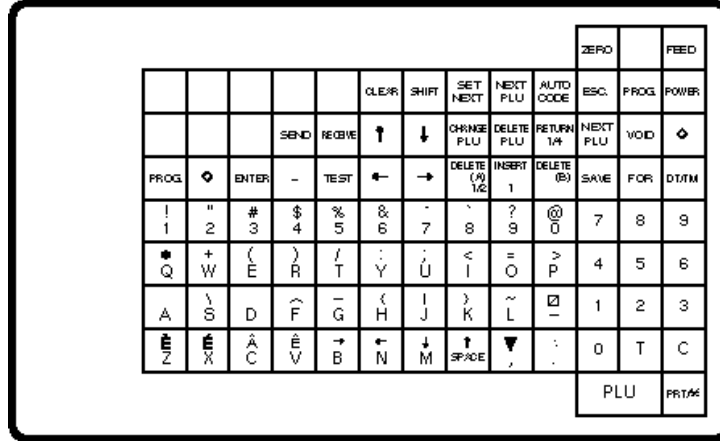
■ Rear Display Panel



NOTE: For the SL-9000 model, the model name on the display panel is "SL-9000".

5. KEY LAYOUT

5.1 PROGRAMMING KEYBOARD







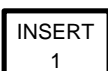
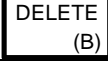
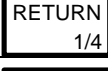

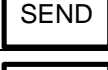
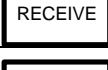
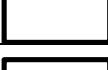
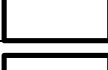
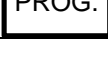

NOTE: Blank keys have no function.

Programming Keyboard Function

Name of Key	Function
CLEAR	1. Clears numeric data just entered. 2. Releases the scale from the error mode.
SHIFT	Selects the upper case or lower case.
SET NEXT	Calls the PLU # which follows the PLU # currently called. Sets the media transparency on the sensor.
NEXT PLU	Calls the PLU # registered right after currently called PLU #.
AUTO CODE	Sets "AUTO CODE".
CHANGE PLU	Changes the PLU # currently called.
DELETE PLU	Deletes PLU.
TEST	Prints data set in the currently called PLU.
ENTER	Inputs data to the SL-9000 system during programming.
VOID	Displays the preceding PLU data. (only when changing the unit price)
RPT/ *	Inputs data to the SL-9000 system during programming. (only when changing the unit price)
ESC.	Returns to the main menu.

5. KEY LAYOUT


5.1 PROGRAMMING KEYBOARD

Name of Key	Function
	<ol style="list-style-type: none"> 1. Displays the preceding PLU data. 2. Used to set an auto code. 3. Calls the preceding label format # when setting the print position.
	<p>Moves the cursor to left.</p>
	<p>Moves the cursor to right.</p>
	<ol style="list-style-type: none"> 1. Deletes a character selected by the cursor when setting the commodity name or message. 2. Sets a unit price per 1/2 lb.
	<ol style="list-style-type: none"> 1. Inserts a space at the cursor position when setting the commodity name or message. 2. Sets a unit price per lb/100g/Kg.
	<p>Deletes all characters on the current setting line when setting the commodity name or message.</p>
	<ol style="list-style-type: none"> 1. Displays the next line when setting the ingredient and message. 2. Sets a unit price per 1/4 lb.
	<p>Inserts a blank space in descriptors.</p>
	<p>Stores "ingredient data" in the temporary memory.</p>
	<p>Calls "ingredient data" from the temporary memory.</p>
	<p>Sets the preceding item when setting PLU and nutrition information.</p>
	<p>Sets the following item when setting PLU and nutrition information.</p>
	<p>Returns to the programming menu.</p>
	<ol style="list-style-type: none"> 1. Changes the programming menu page. 2. Selects capitals or small letters. 3. Sorts the file when setting PLU data, ingredient data and nutrition data. 4. Sets a block PLU # using the confirmation label procedure. 5. Selects the scrolling message or fixed message. 6. Changes the speed key page and sets a department #. 7. Selects the adjusting item of print format in rotation. 8. Toggles between In-line and Local or in-line and off-line of LON system.
<p>Other Keys</p>	<p>The other keys are used to set the character.</p>





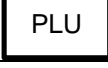

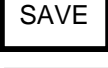
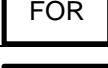
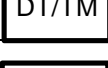
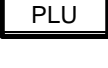
5.2 OPERATION KEYBOARD AND SPEED KEYBOARD

	US type	CA, QR type
①	1/2	100g
②	1/4	LB/kg

1	2	3	4	5	6	7	8	9	10	11	12 (4)	ZERO	TEST	FEED	
13	14	15	16	17	18	19	20	21	22	23	24 ①	ESC.	PROG.	POWER	
25	26	27	28	29	30	31	32	33	34	35	36 ②	NEXT PLU	VOID	◇	
37	38	39	40	41	42	43	44	45	46	47	48	PRESET COUNT	SAVE	FOR	DTM
49	50	51	52	53	54	55	56	57	58	59	60	GRADE LINE	7	8	9
61	62	63	64	65	66	67	68	69	70	71	72	LOGO	4	5	6
73	74	75	76	77	78	79	80	81	82	83	84	GROUP	1	2	3
85	86	87	88	89	90	91	92	93	94	95	96	ST	0	T	C
97	98	99	100	101	102	103	104	105	106	107	108 (3)	PLU		PRT%	

- NOTES:**
- Pressing the  key enables another 108 PLUs assignment.
 - When the initial setting #8-7 is set to 1 (SL-9000) or #28-4 is set to 1 (SL-9000N), the (3) key will function as a Tare% key instead of a speed key.
 - When the initial setting #12-8 is set to 1, the (4) key will function as an AUTO/MANUAL key instead of a speed key.

Operation Keyboard Function

Name of Key	Function
 to 	Enters PLU #, unit price and tare.
	1. Clears numeric entries. 2. Releases the scale from error mode. 3. Releases the scale from SAVE mode.
	Subtracts tare.
	Calls a PLU or clears displayed PLU.
	Prints the customer label.
	Saves tare and unit price after taking off the commodity from a platter.
	Sets the number of articles in "BY COUNT" mode.
	Displays the date.
	Selects the item for change Print/OFF.

Operation Keyboard Function

Name of Key	Function
VOID	Corrects data just after the registration.
[]	1. Selects the speed key page. 2. Selects the function for change Print/OFF.
ESC.	Returns to the main menu.
PROG.	Accesses print item, auto message timer, print format and issue mode selection mode.
POWER	Turns the display on/off when the scale power is on.
1/2 1/4	Changes between 1/2 lb and 1/4 lb (US type only).
100g	Changes the unit of measure to 100 g (CA/QR type only).
LB/kg	Changes the unit of measure between lb and kg (CA/QR type only).
PRESET COUNT	Sets the number of labels to print.
GRADE LINE	Prints a grade line.
LOGO	Calls the logo.
GROUP #	No function.
ST	No function.
%	This key is used for item or subtotal discount by entering a percentage. (Optional key by initial setting)
FEED	Feeds the label.
TEST	Issues a test label.
ZERO	Adjusts the zero point.
AUTO/ MANUAL	Changes the label issue mode between Automatic issue and manual issue. (Optional key by initial setting)
1 to 108	Calls the PLU frequently used.

6. PROCEDURE BEFORE OPERATION

1. Ask an authorized installing dealer for the scale installation. Please contact your nearest TOSHIBA TEC representative.
2. Hang the platter arm from the scale. (See page 7-1.)
3. Load the label or receipt.
4. Set the following programming menus:

Menu Page	ITEM No.	Programming Name
2	0	PRINT FORMAT
2	1	DATE/TIME SETTING
1	1	PLU DATA SETTING

If necessary, set the following program menu:

Menu Page	ITEM No.	Programming Name
1	2	INGREDIENT MESSAGE
1	3	NUTRITION SETTING
1	5	ADDRESS AND COMMERCIAL MESSAGE SETTING
1	7	SPECIAL INFORMATION
1	8	GRADE LINE
1	9	SPEED KEY SET

5. Call a PLU which contains the unit price used in weighing mode, then place a weight on the platter and check a correct price is displayed.
6. Label issued is ready.

NOTE: For details of the programming menus, refer to Section 10.

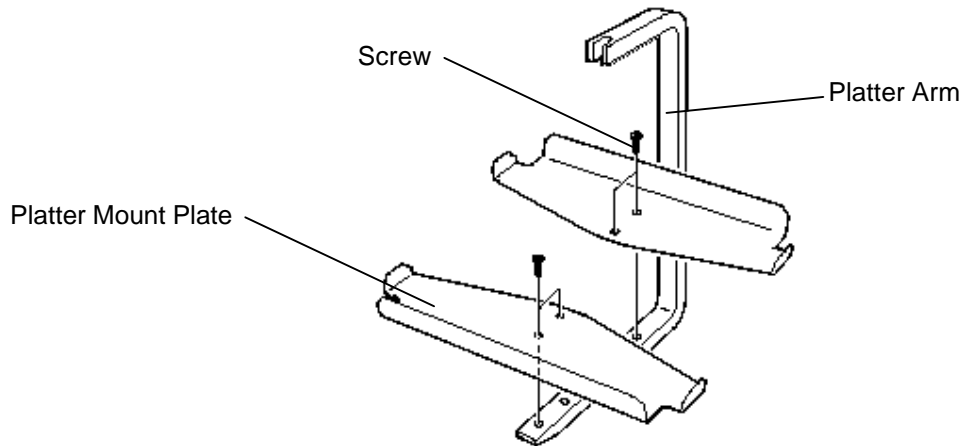
7. INSTALLATION PROCEDURE

Scale installation on the wall or ceiling

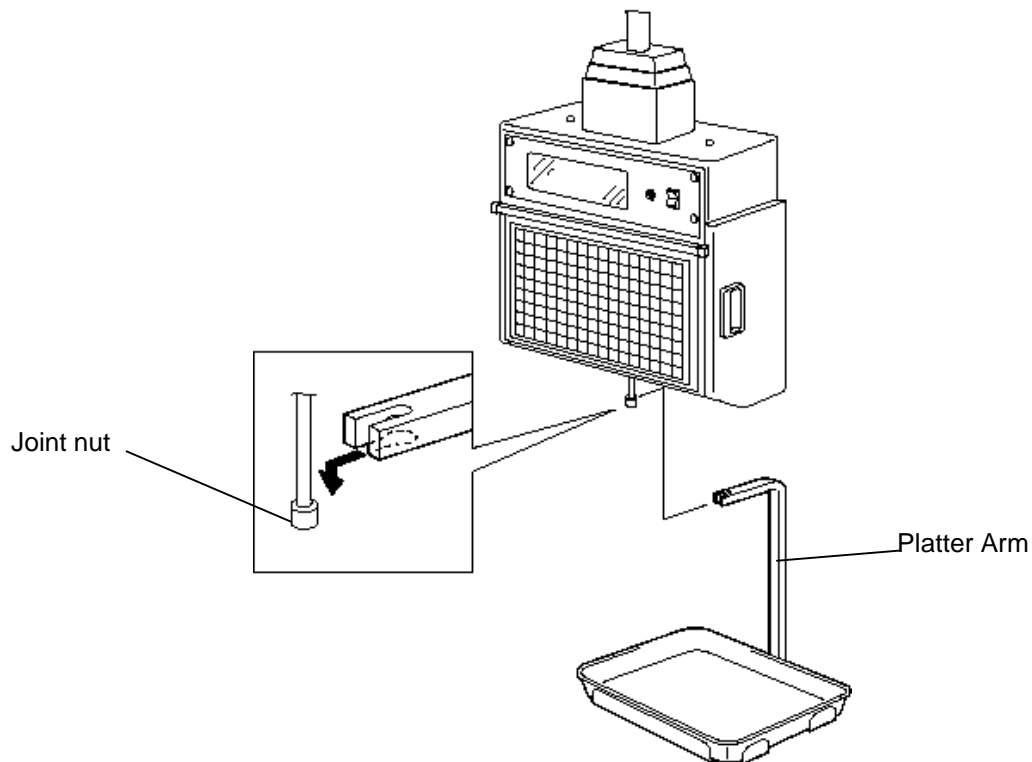
The installation should be an authorized installing dealer.
Please contact your nearest TOSHIBA TEC representative.

Platter

1. Attach the two platter mount plates to the platter arm with the four D-4x8 screws.

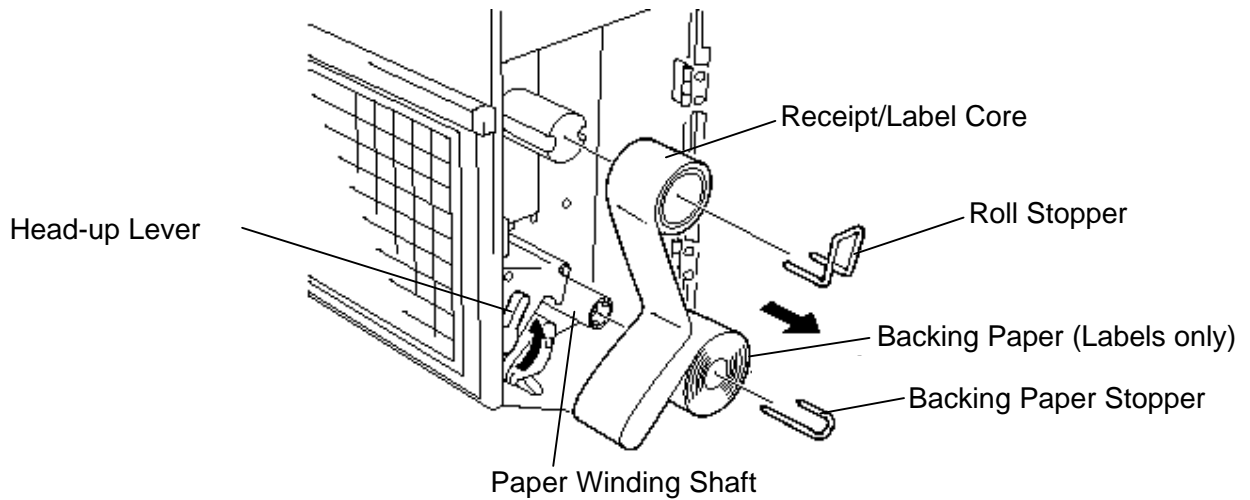


2. Fit the notch of the platter arm on the joint nut of the scale.

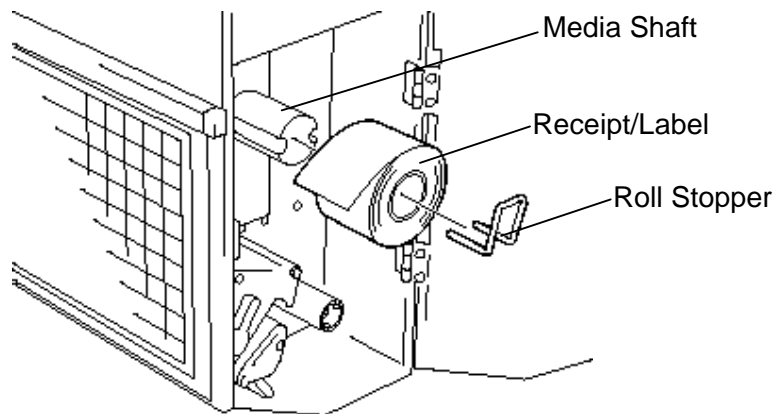


8. REMOVAL AND REPLACEMENT OF RECEIPT/LABEL

1. Open the printer cover and turn the head-up lever to the anticlockwise.
2. Pull out the roll stopper and backing paper stopper, then remove the receipt/label core with the backing paper. You can loosen the backing paper by turning the paper winding shaft anticlockwise.



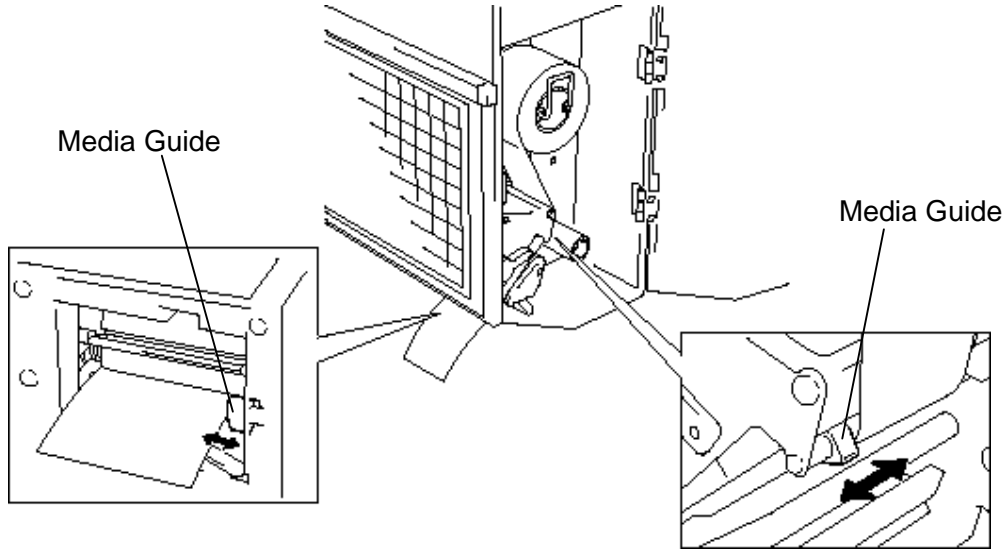
3. Put a new receipt/label roll over the media shaft and fix it with the roll stopper.



8. REMOVAL AND REPLACEMENT OF RECEIPT/LABEL

8. REMOVAL AND REPLACEMENT OF RECEIPT/LABEL

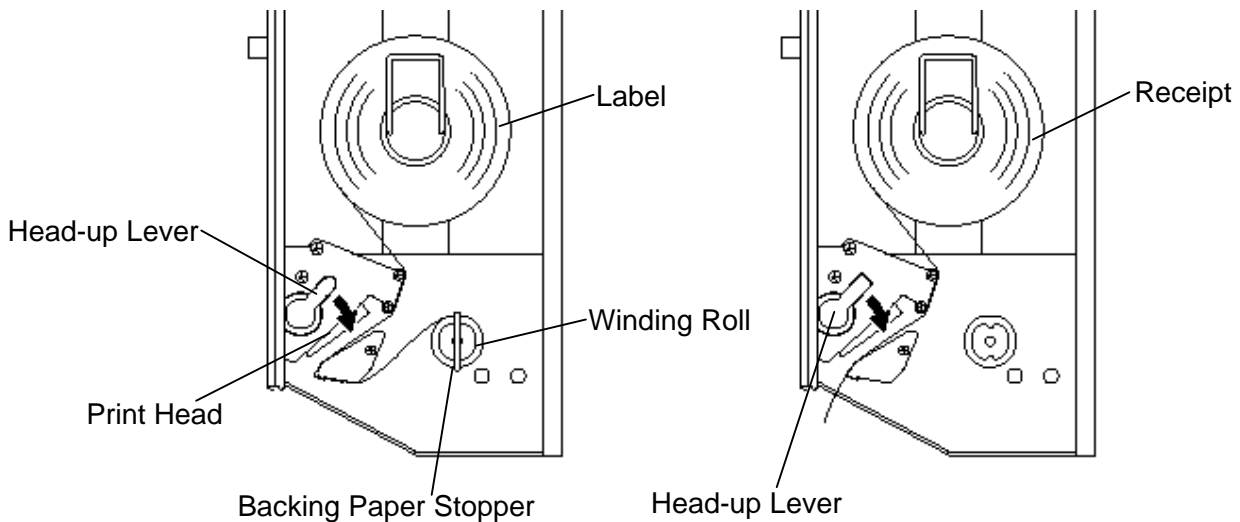
4. Insert the tip of the receipt/label into the print head.
5. Align the two media guides with the right edge of the receipt/label.



6. Thread the receipt/label as shown below.
NOTE: Labels and receipts should be left-aligned as viewed from the front of the machine, and always threaded in parallel with the media shaft and the print head. Failure to do this may cause a paper jam or a skew feed.
7. Turn the head-up lever to the arrow indicating direction to set the print head in position.

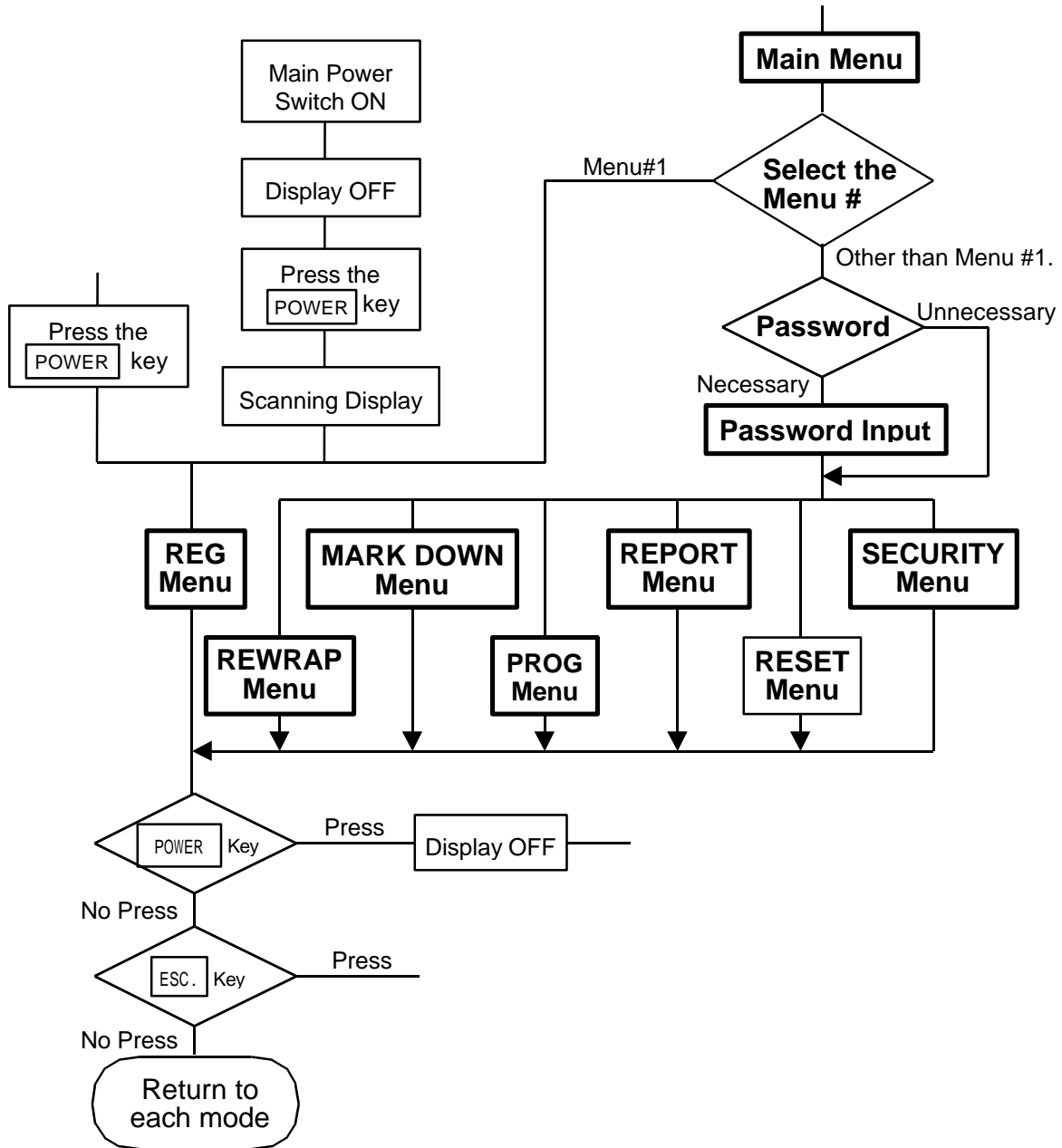
(Label threading method)

(Receipt threading method)



8. Close the printer cover.
9. Finally press the Feed key to confirm that the labels/receipts are loaded correctly.

9. OUTLINE OF OPERATION

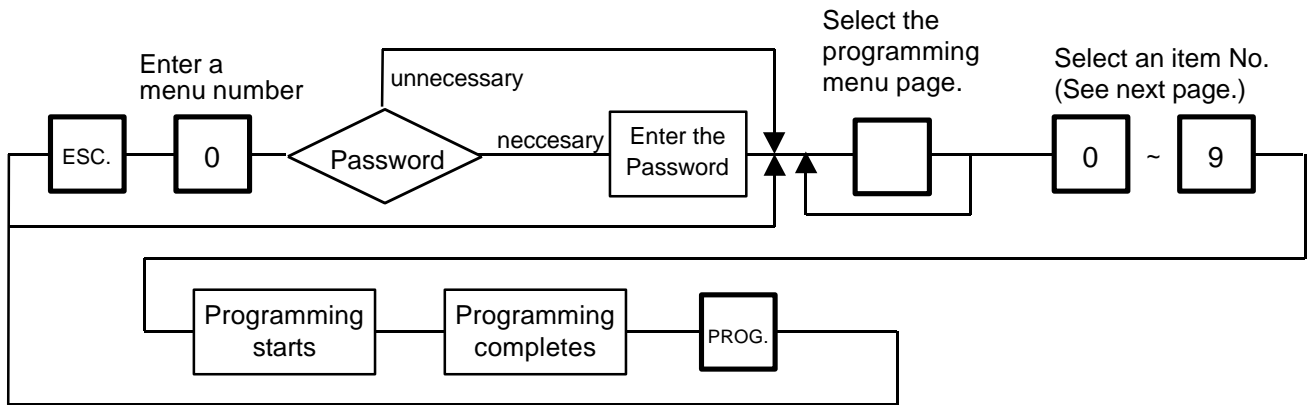


NOTES:

1. You can register a password to avoid unauthorized access to each menu except for REG. menu.
2. To avoid unneeded use of the display, press the **POWER** key to turn the display off while being unused. Pressing the **POWER** key again allows you to enter REG mode without scanning.
3. Refer to respective sections for explanation of each menu enclosed by a thick rectangle.

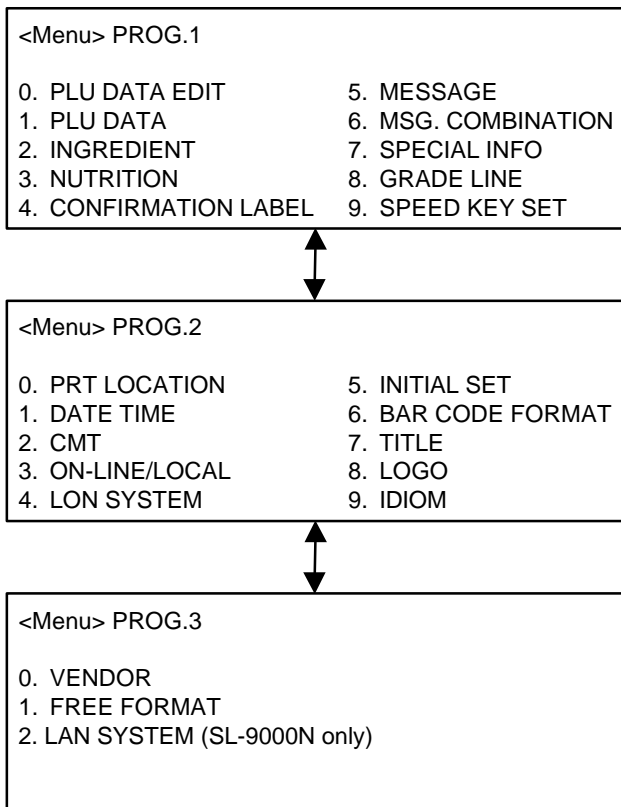
10. PROGRAMMING PROCEDURES

How to access to Programming Menu



NOTES:

1. When the selected menu () is protected from an access, refer to Section 12.2 and enter the password.
2. In Section 10.1, 10.2 and 10.3, items which have been sold on that day cannot be called before resetting (refer to Section 14) unless Initial Set #1-4 is set to 1.



10. PROGRAMMING PROCEDURES

Title and Contents of Programming Menu

Title and Contents of Programming Menu

Table 1.

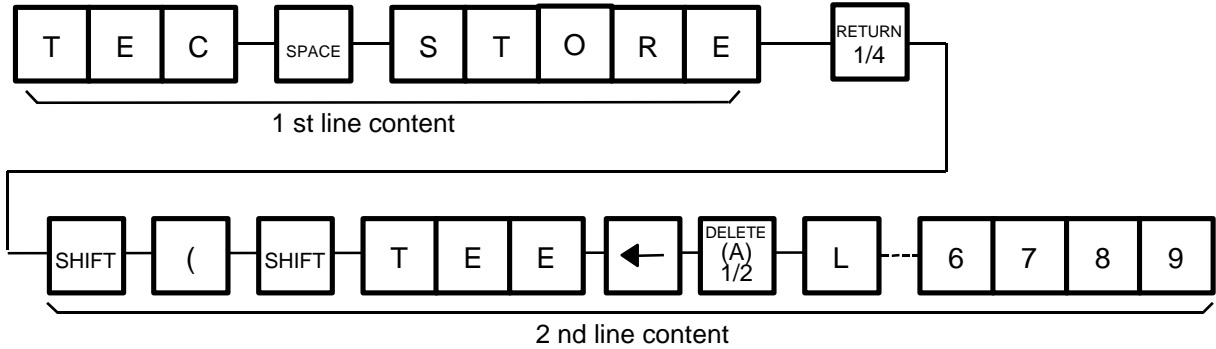
NO.	TITLE	MENU PAGE	ITEM NO.	CONTENTS	Page
1	PLU DATA EDIT	1	0	CHANGE UNIT PRICE	10-4
2	PLU DATA	1	1	PROGRAM/CHANGE/DELETE PLU	10-5
3	INGREDIENT MESSAGE	1	2	PROGRAM/CHANGE INGREDIENT	10-7
4	NUTRITION SETTING	1	3	PROGRAM/CHANGE NUTRITION FACTS TABLE	10-8
5	CONFIRMATION LABEL	1	4	VERIFY THE PROGRAMMING DATA OF PLU	10-12
6	ADDRESS OR MESSAGE SETTING	1	5	PROGRAM MESSAGE/ADDRESS	10-13
7	COMBINATION MESSAGE	1	6	PROGRAM MESSAGE ON DISPLAY AND TIME	10-14
8	SPECIAL INFO.	1	7	PROGRAM SPECIAL INFORMATION	10-16
9	GRADE LINE	1	8	PROGRAM GRADE LINE	10-16
10	SPEED KEY SETTING	1	9	ASSIGN COMMON PLU TO SPECIFIC SPEED KEY	10-17
11	PRT LOCATION	2	0	SELECT LABEL FORMAT AND ADJUST	10-18
12	DATE/TIME SETTING	2	1	PROGRAM DATE/TIME/MACHINE #/STORE CODE	10-20
13	CMT/PL-3	2	2	BACK-UP/LOAD DATA OF PLU/ING/NUTRI./SPEED KEY	10-20
14	IN-LINE/LOCAL	2	3	SET PARAMETERS FOR TMCC	10-23
15	LON SYSTEM	2	4	SET PARAMETERS FOR LON	10-24
16	INITIAL SET	2	5	SET INITIAL PARAMETERS	----
17	BAR CODE FORMAT	2	6	PROGRAM BARCODE FORMAT	10-26
18	TITLE	2	7	PROGRAM/CHANGE TITLE ON DISPLAY/PRINT	10-28
19	LOGO	2	8	SEND/RECEIVE LOGO DATA	10-29
20	IDIOM	2	9	PROGRAM IDIOM	10-30
21	VENDOR	3	0	VENDOR NAME	10-30
22	FREE FORMAT	3	1	PROGRAM FREE FORMAT	10-31
23	LAN SYSTEM (SL-9000N only)	3	2	PROGRAMS PARAMETERS FOR LAN	----

NOTE: Menu No. 16 and 23 are program for use of dealers. Contact your nearest TOSHIBA TEC representative if you desire to use them. When you enter one of these menus by mistake, press **[ESC.]** key to return to Main Menu.

How to enter characters

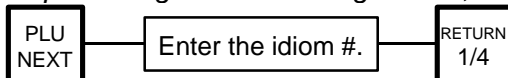
Use the following procedure to enter a commodity name, address and ingredient message.

Example) 1st line: TEC STORE
 2nd line: (TEL) 0123-45-6789

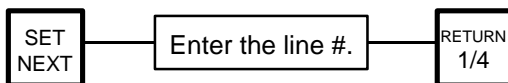


NOTES:

1. and keys are the cursor keys.
2. To insert a space, move the cursor to the next character to the space to be inserted, and press key.
3. To delete a line, press key.
4. To move the cursor to the preceding line when entering a commodity name, press key, or key.
5. Pressing the key toggles between the capital and small letter.
6. When entering a commodity name, press or key instead of the key to return.
7. Pressing the key toggles the type font between normal and boldface.
8. To call a preset ingredient message idiom, follow the procedure below:



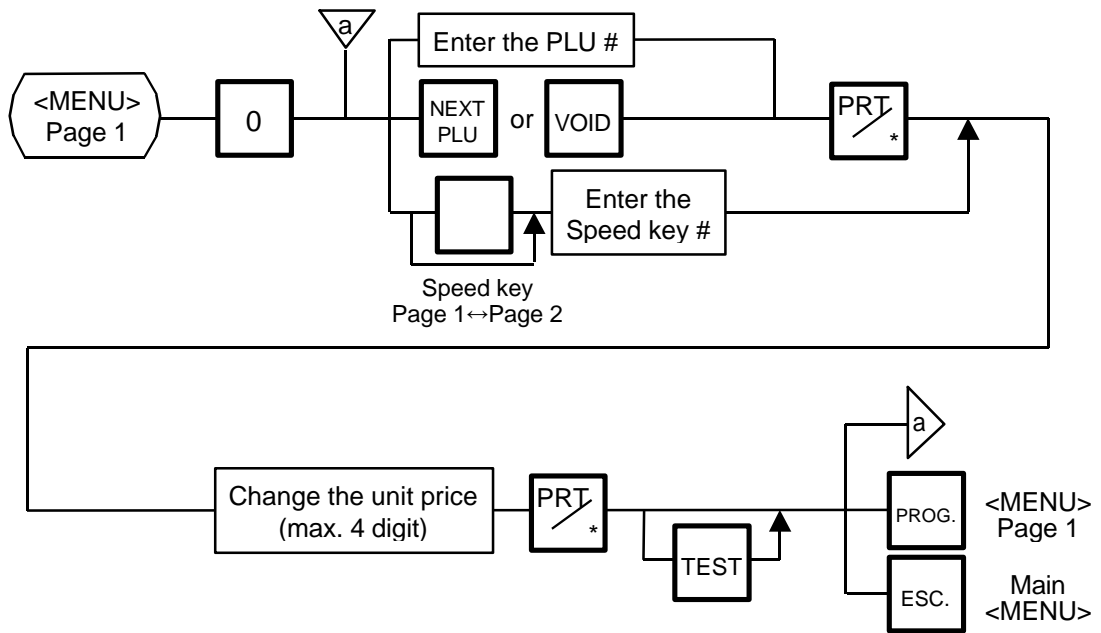
9. To skip a line when entering an ingredient message, follow the procedure below:



10.1 PLU DATA EDIT

Menu Page: 1
 Item No.: 0

In this procedure, use operation keys (except when calling a PLU by using a speed key).
 The unit price stored in a PLU can be changed with this menu.



NOTES:

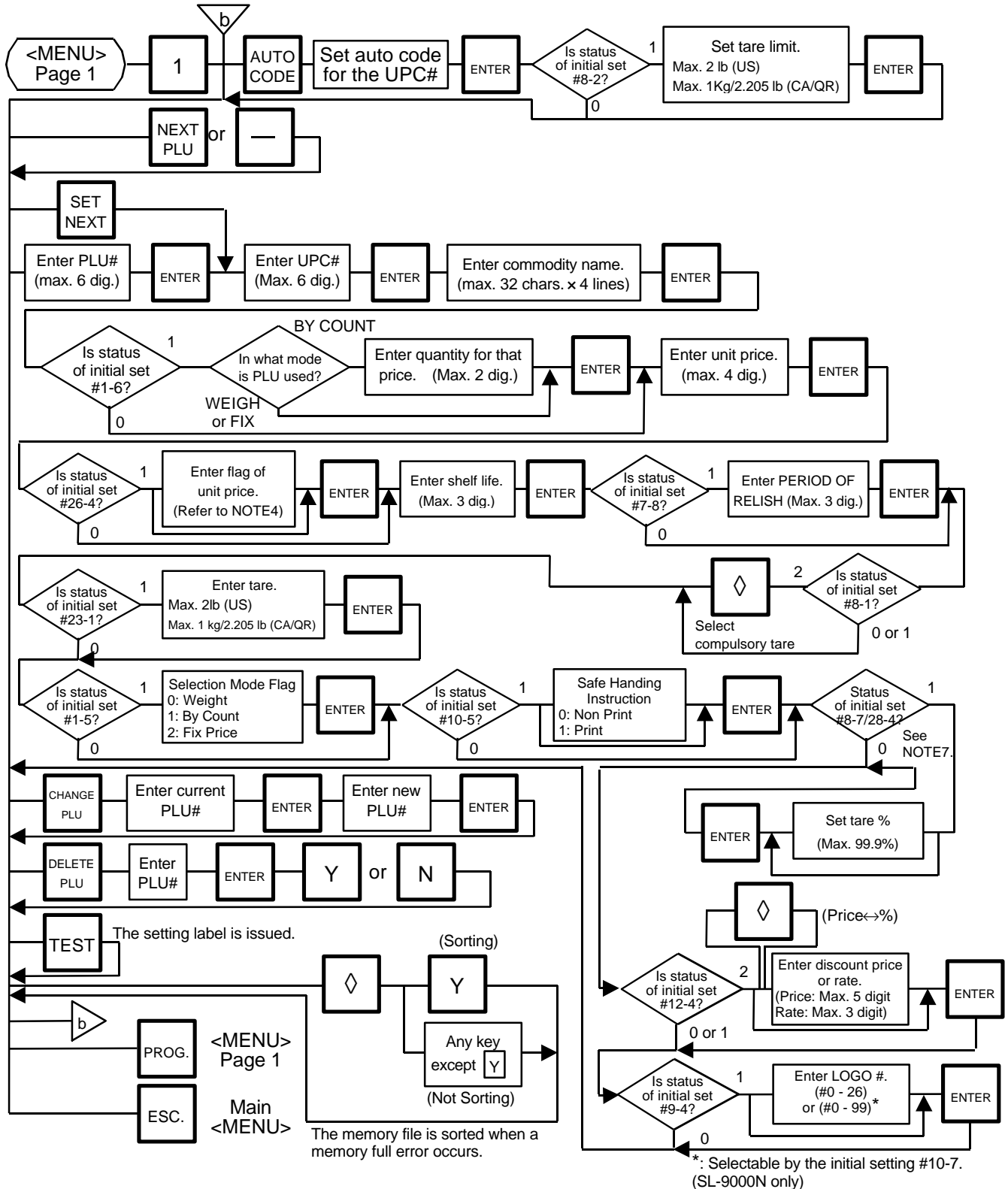
1. An attempt to call a PLU # that has not been stored in the PLU file results in an error.
2. Under this Menu (Menu No. 0), "open-price" PLU's price cannot be changed.

10.2 PLU DATA SETTING

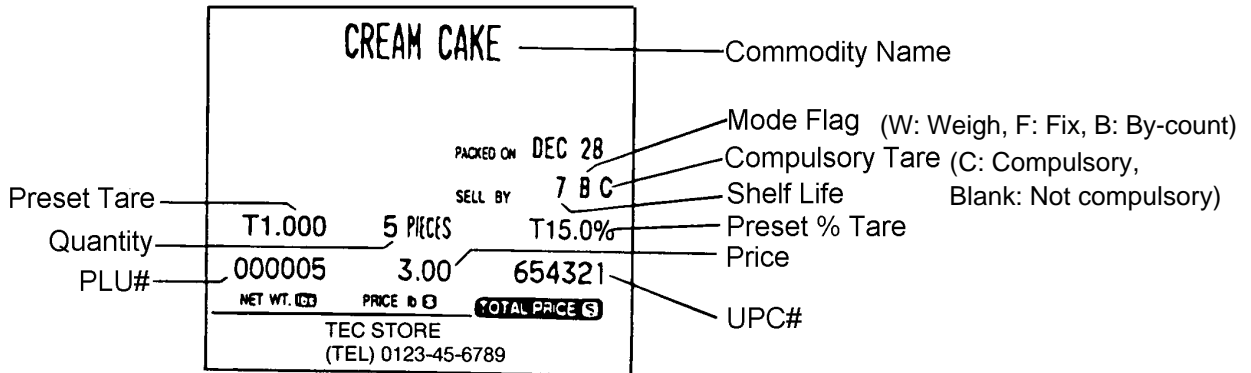
Menu Page: 1

Item No.: 1

Setting or changing the contents of PLU (PLU#, UPC#, Commodity Name, etc).



Pressing the key instead of the ENTER key advances to the next menu. Pressing the key returns to the preceding menu.
 Verification label of PLU data



NOTES:

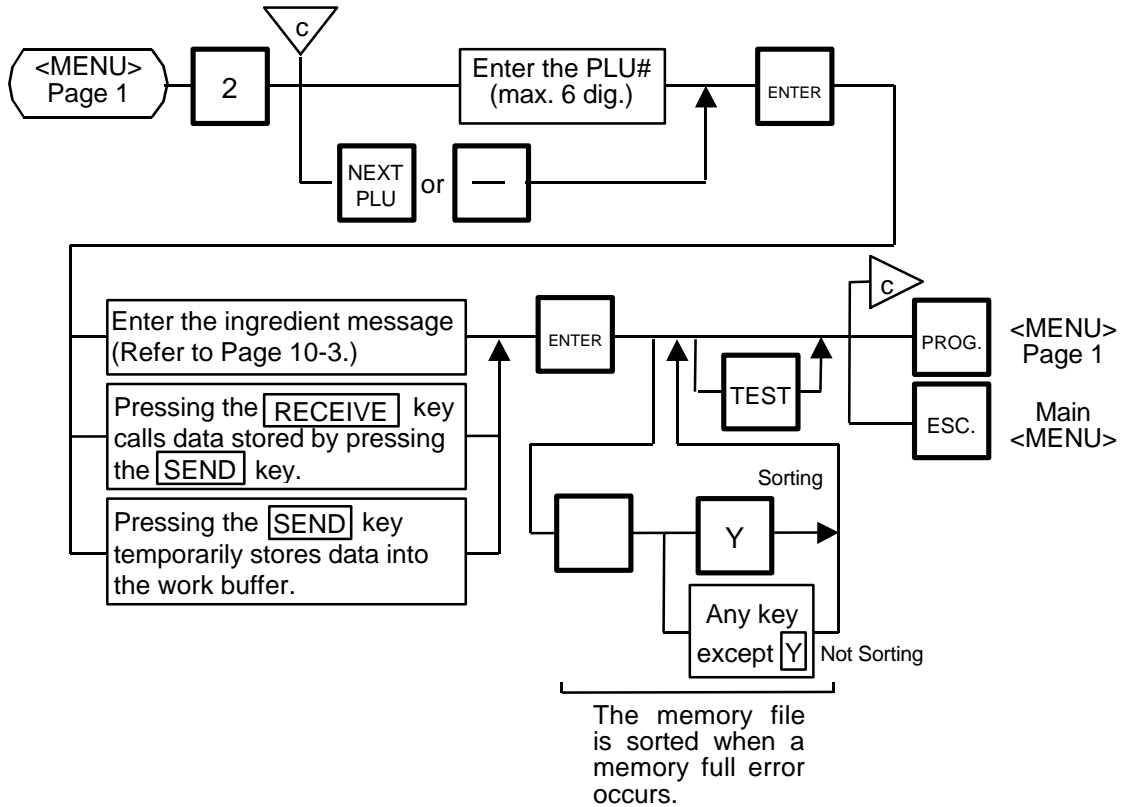
1. A UPC code is made up of a combination of an entered code and an AUTO CODE. Be sure to attach some characters to the end of the AUTO CODE, or all entered codes will be ignored and an AUTO CODE will become an UPC code (see ex. 1).
 ex. 1) enter code: 456 ex. 2) enter code: 4567 ex. 3) enter code: 123456
 AUTO CODE: 123- - - AUTO CODE: 123- - - AUTO CODE: 987

 code#: 123456 code#: 123567 code#: 987
2. When there is no area to store PLU data, an error occurs when pressing the ENTER key.
3. Changing a PLU # to the number to which other PLU data is set will result in an error.
4. Unit price flag may be selected as follows:
 - 1) In case of lb scale
 - a. INSERT 1 key : \$ per lb
 - b. DELETE (A) 1/2 key : \$ per 1/2 lb
 - c. RETURN 1/4 key : \$ per 1/4 lb
 - 2) In case of kg scale
 - a. INSERT 1 key : \$ per 100 g or Kg
5. Tare limit should be a multiple of 5, up to 2.000 lb for US type and a multiple of 2, up to 1.000 Kg for CA/QR type.
6. Safe handling instructions can be printed on 57-mm wide labels only. Safe handling instructions are printed on labels formatted for ingredient messages. Only ingredient message labels with 13 or more lines can be used to print safe handling instructions. Available print formats are as follows:
 13 (63), 15 (65), 16 (66), 23 (73), 25 (75), 26 (76), 33 (83), 35 (85), 36 (86), 41, 42, 43, 48 and 49.
7. Tare % indicates a percentage of tare in gross weight, which is available when the Initial Setting #8-7 is set to 1 (SL-9000) or #28-4 is set to 1 (SL-9000N).
8. When setting open prices in the count mode (Initial Setting #1-6: 1), set zeros as quantity and unit price.

10.3 INGREDIENT MESSAGE

Menu Page: 1
 Item No.: 2

Ingredient messages can be printed on a label with a maximum of 54 characters per line using small letters or 32 characters per line using boldfaced small letters. Will print up to 38 lines.

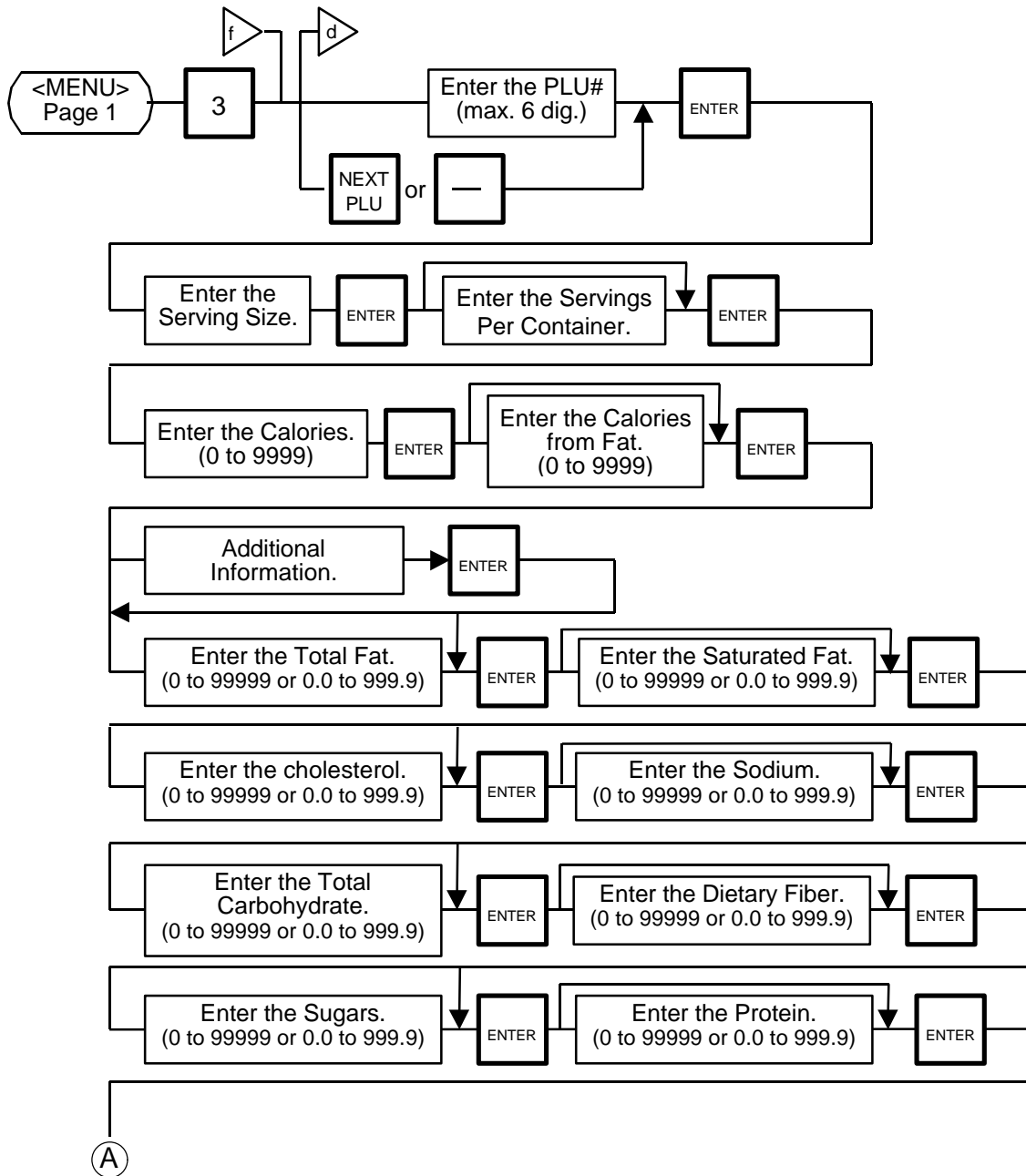


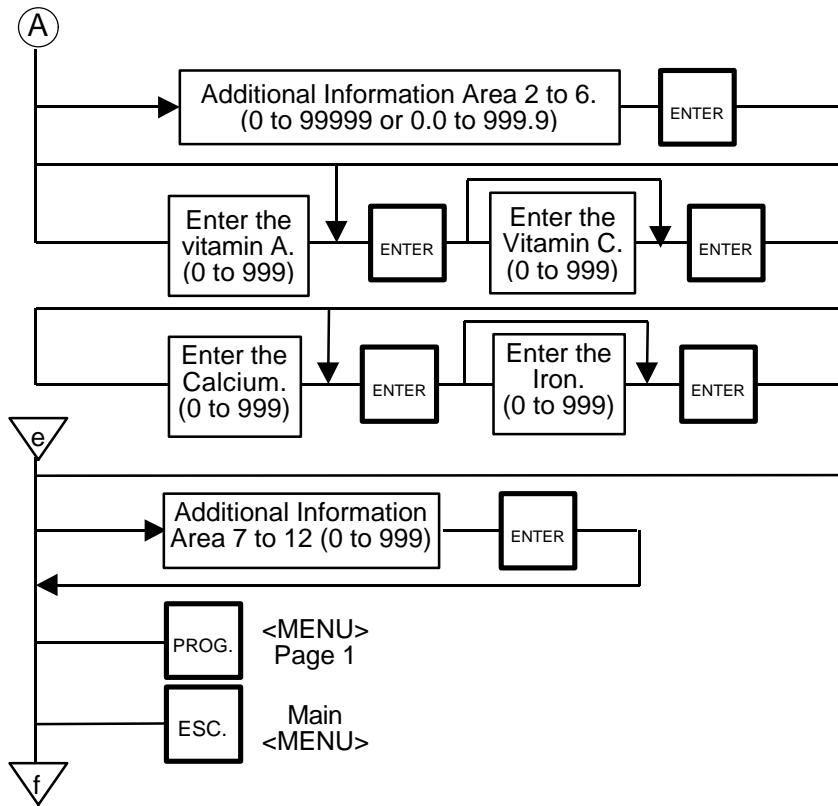
- NOTES:**
1. When no data is programmed for the PLU, ingredient cannot be set.
 2. When a selected PLU is not stored in the PLU file, a "PLU NOT FOUND" error occurs.
 3. Once you exit this menu and enter again, data stored in the work buffer is cleared.
 4. When there is no area to store ingredient data, a "MEMORY FULL" error occurs.
 5. Different PLUs cannot use the same ingredient data. (PLU and ingredient data are in pairs.)

10.4 NUTRITION SETTING

Menu Page: 1
 Item No.: 3

Using the following procedure, nutrition information and caloric intake can be set. Serving Size and Servings Per Container consist of a maximum of a 18 characters. However, total number of characters including title characters must not exceed 30.



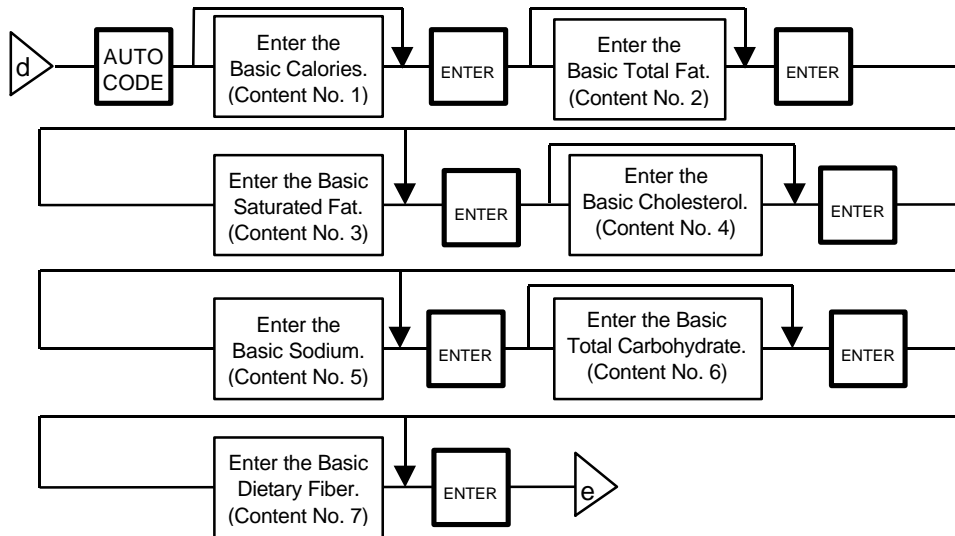


Pressing the key instead of the ENTER key advances to the next menu. Pressing the key returns to the preceding menu.

NOTES:

1. When a selected PLU# is not stored in the PLU file, an error occurs.
2. Nutrition file is input each time the ENTER key is pressed. Thus, if you quit the procedure on the way, data entered without pressing ENTER key is not stored.
3. The additional information can be used only when its title has been registered in Section 10.17.

Set the Daily Value Table



NOTES:

1. DAILY VALUE (Max. 8 digits)
 - 1) The contents of Daily value

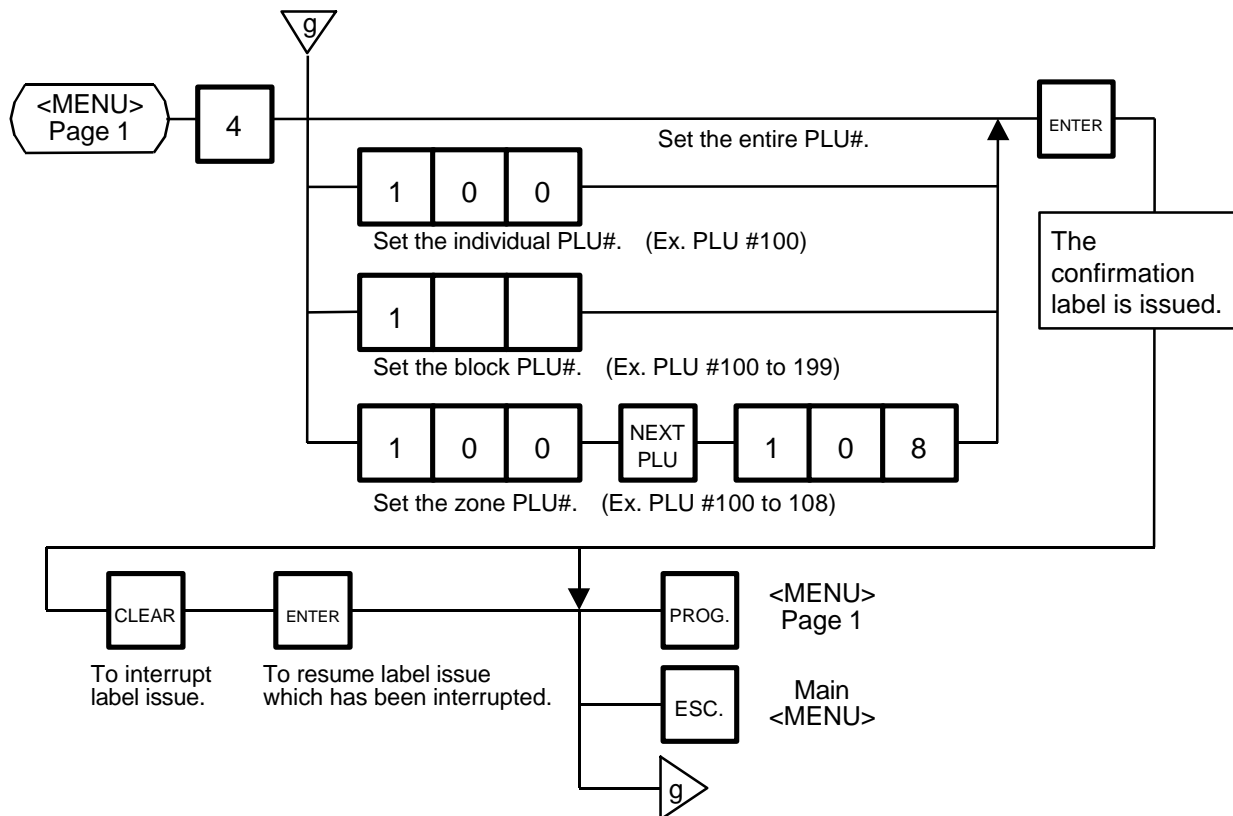
Contents	upper 4 digits	lower 4 digits
No. 1	Percentage of necessary daily intake of Calories	Necessary daily intake of Calories
No. 2	Percentage of necessary daily intake of Total Fat	Necessary daily intake of Total Fat
No. 3	Percentage of necessary daily intake of Saturated Fat	Necessary daily intake of Saturated Fat
No. 4	Percentage of necessary daily intake of Cholesterol	Necessary daily intake of Cholesterol
No. 5	Percentage of necessary daily intake of Sodium	Necessary daily intake of Sodium
No. 6	Percentage of necessary daily intake of Total Carbohydrate	Necessary daily intake of Total Carbohydrate
No. 7	Percentage of necessary daily intake of Dietary Fiber	Necessary daily intake of Dietary Fiber

- 2) The necessary daily intake of calories can be changed by changing the above table data, and percentage will be changed accordingly.
2. Percentage of daily intake
 - 1) Percentage data are printed in right justified 3 digits with zero suppression.
 - 2) Under the following conditions, an error occurs and data will be printed as '- - - %'.
 - Percentage data exceeds 3 digits (999 %).
 - Data is entered improperly.
 - Other than x x x x x or x x x . x
 - Other than numerals (0 to 9) and a point '.'
 - 3) Calculation
 - (input data)/(necessary daily intake) × 100
 - = Percentage of daily value
 - (round the obtained data to one decimal place)

10.5 PLU VERIFYING LABEL

Menu Page: 1
Item No.: 4

Verifies PLU data stored in the scale.



NOTES:

1. Labels are printed in both batch mode and on-demand mode.
2. When no PLU is stored in the selected range, an error occurs when the **ENTER** key is pressed.
3. Pressing the **CLEAR** key releases the scale from the error mode and returns to the initial status of this menu.
4. After clearing a paper jam error, the scale will wait for an entry of PLU# again.

10.6 ADDRESS AND COMMERCIAL MESSAGE SETTING

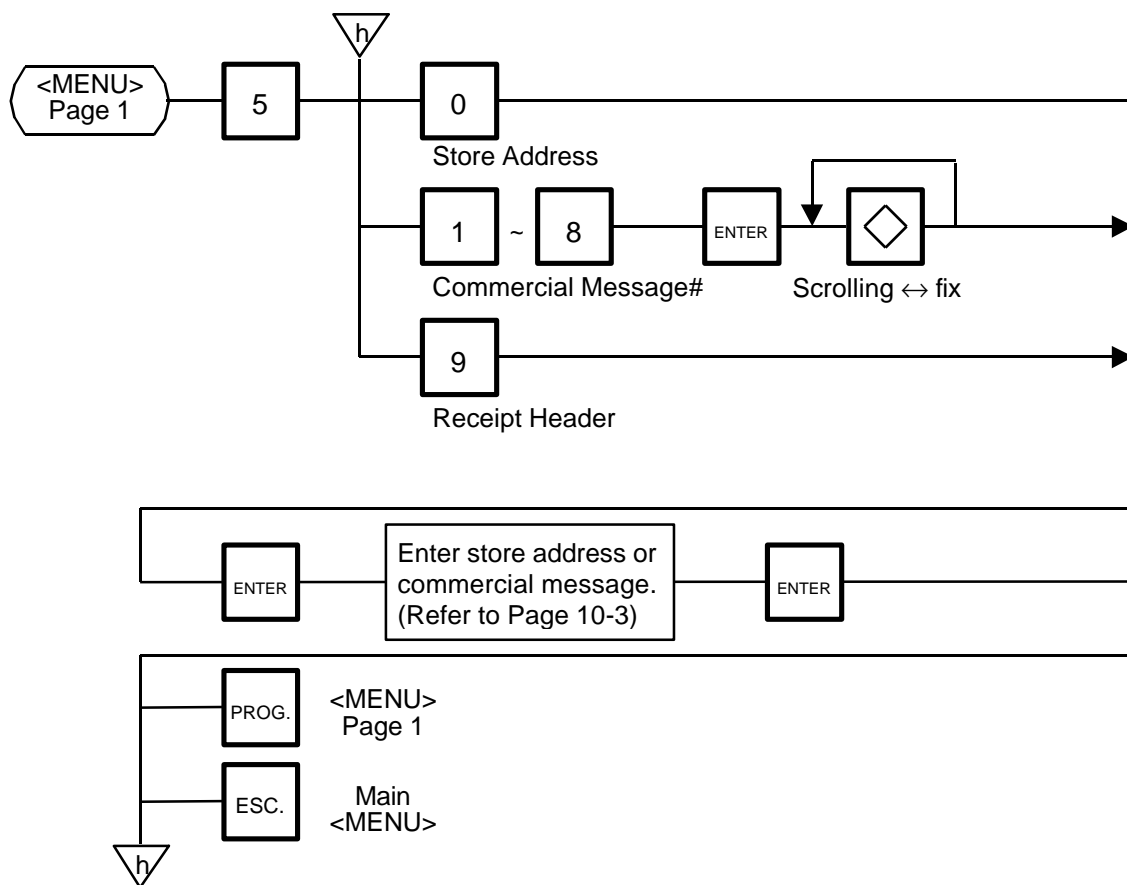
Menu Page: 1
Item No.: 5

A store address printed on label and a commercial message shown on the display can be set within the following character limits using the procedure below.

Address: 32 characters x 2 lines

Message: 90 characters

Receipt Header: 24 characters in the 1st/2nd line and 48 characters in the 3rd line



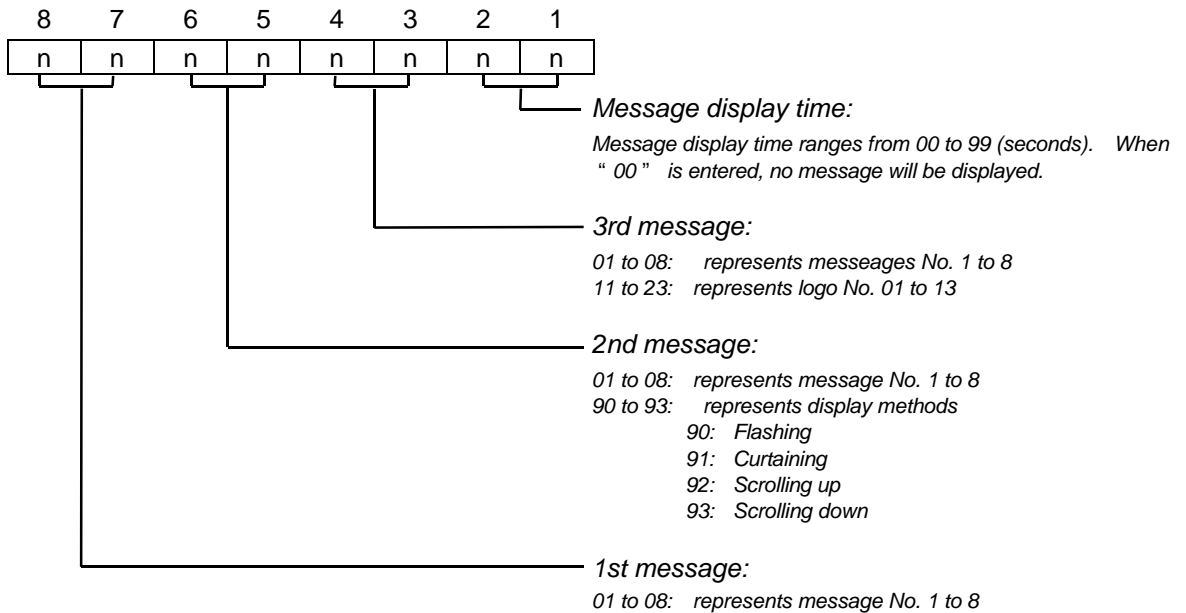
NOTE: When the fixed message is selected, the first 16 characters will be indicated on the display.

10.7 COMBINATION MESSAGE

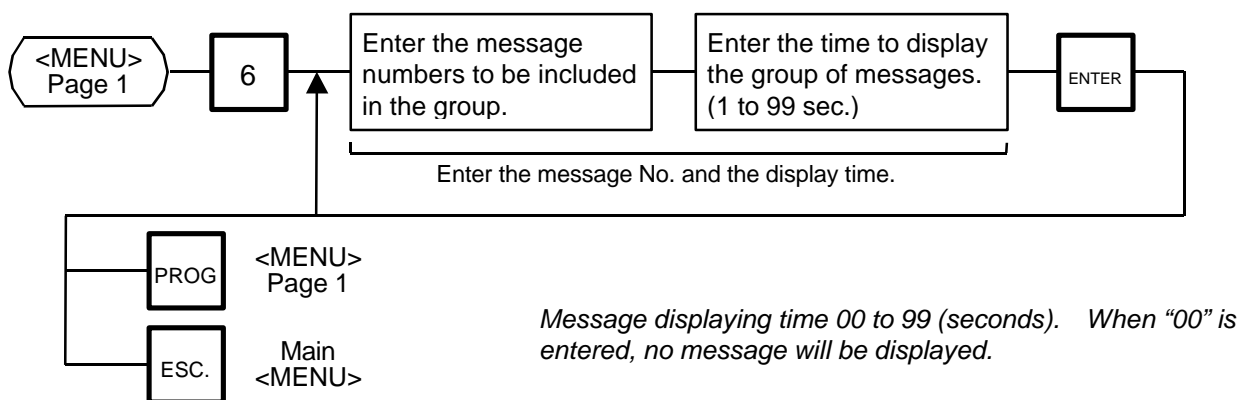
Menu Page: 1
Item No.: 6

You can combine some messages set in Section 10.6 together and create a maximum of 24 different combination messages.

Message construction



NOTE: When the fixed message is selected, set "00" as the 1st and 2nd messages. Otherwise, set "00" as the 1st message. When the Flashing, Curtaining, Scrolling up or Scrolling down is selected, set "00" as the 1st message.



NOTE: The combination No. is selected as follows by **ENTER** key.

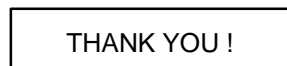


3. Display method varies depending on message construction.
 - 1) message combination
 - a. single message either scrolling or fixed is available.
 - b. multiple message..... scrolled regardless of selection.
 - 2) logo combination
Logo must be a single logo and a fixed display. When logos are combined, no message will be displayed.
 - 3) combination of message and logo
It is prohibited. When both a message and logo are combined together, only message will be displayed.

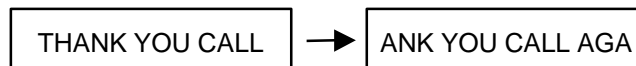
4. You can press the **PROG.** and the **ESC.** keys to exit the procedure at any time. However, no data will be stored without pressing the **ENTER** key.

5. Display method

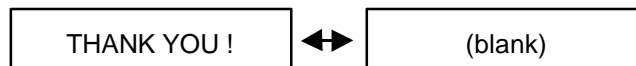
1) Fixed



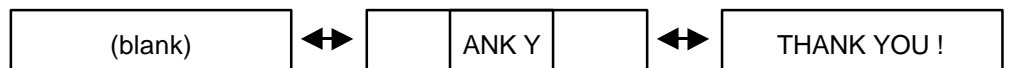
2) Scrolling



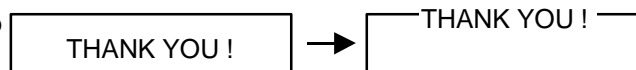
3) Flashing



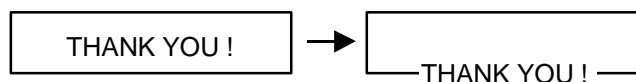
4) Curtaining



5) Scrolling up



6) Scrolling down

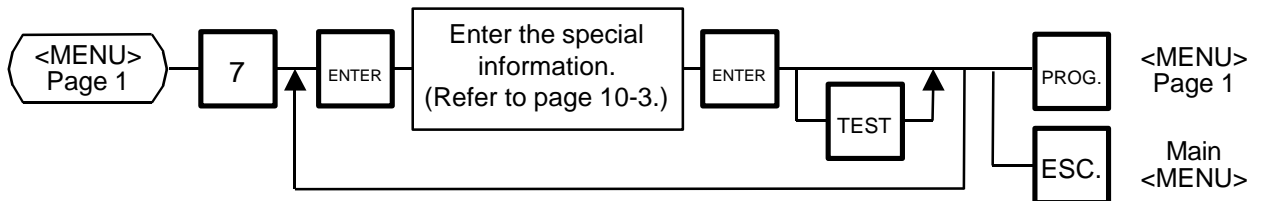


NOTE: The scrolling up/down methods allow displaying 16 characters per line, up to a total of 90 characters per display.

10.8 SPECIAL INFORMATION

Menu Page: 1
Item No.: 7

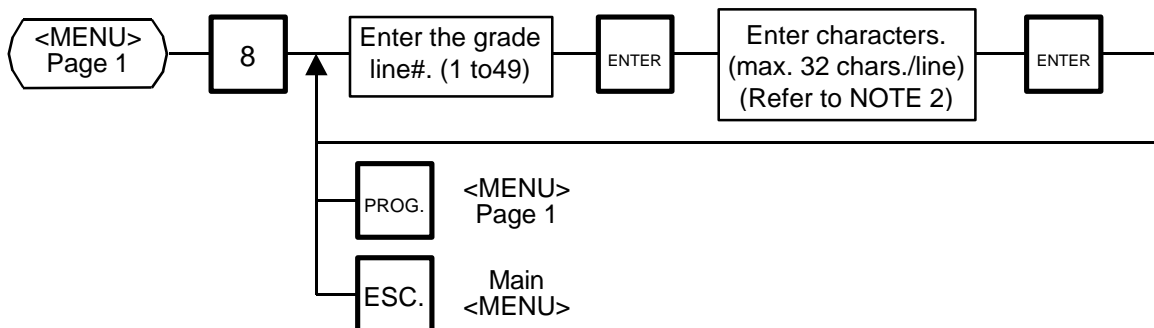
When the Net Weight Statement label is selected, 3 lines (32 characters/line) of special information can be printed in the label position where the net weight data is to be printed. The special information can be printed in the weigh and By Count mode. In the Fix mode, the net weight data is printed.



10.9 Grade Line

Menu Page: 1
Item No.: 8

You can set the maximum 49 kinds of grade lines (max. 32 characters/line), and call one of them to print on the label.



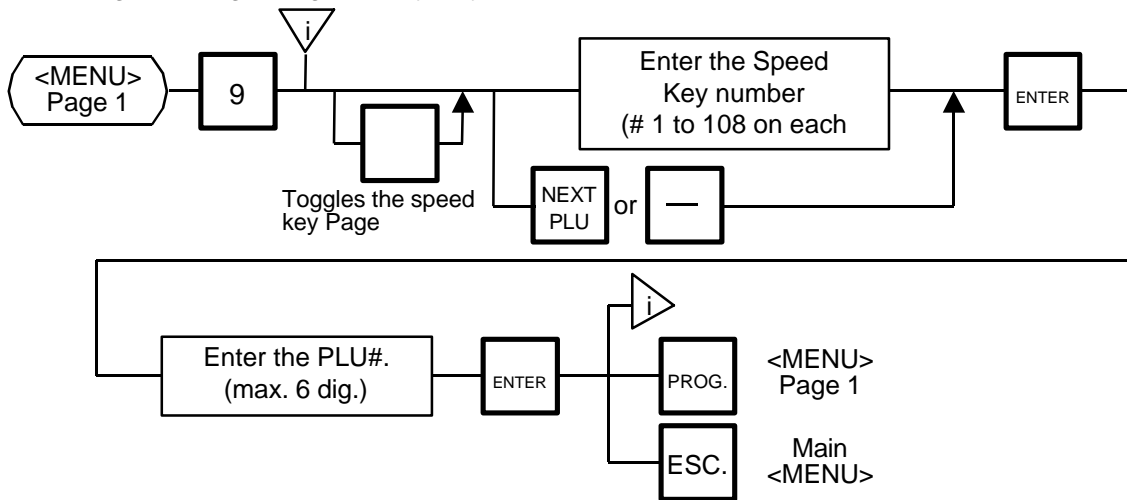
NOTES:

1. Print position of grade line can be changed by initial setting.
2. Refer to page 10-3, for information regarding how to enter the Grade Line.

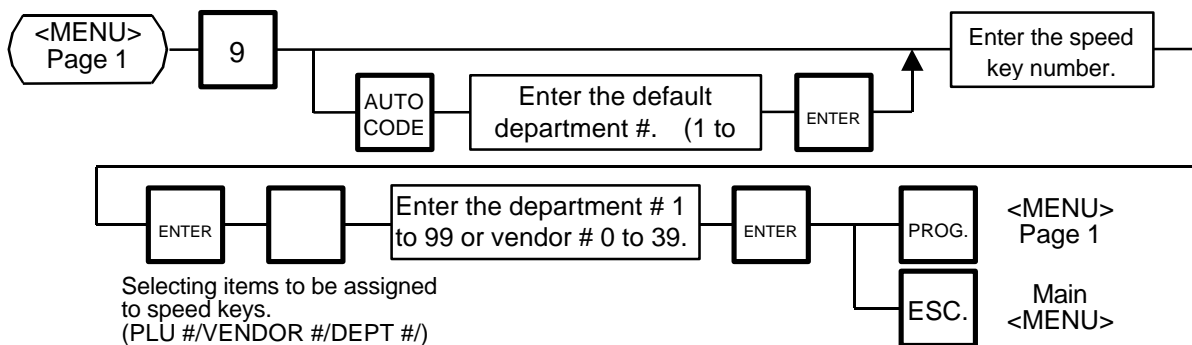
10.10 SPEED KEY SETTING

Menu Page: 1
Item No.: 9

The SL-9000 has a maximum of 108 x 2 speed keys which are very convenient to call PLUs quickly. (Refer to page 5-3 regarding the Key Layout.)



Setting Department/Vendor Number



Department Number

When initial set #10-6 is set to "1", the six-digit PLU # is divided into two; the upper two digits are assigned to department #, and the lower four digits to PLU.

The department # is automatically added in the front of the four-digit PLU # and treated as a six-digit PLU #.

In case of "PROG.", "Report", and "Reset" modes, PLU # is treated as a six-digit number. So the upper two digits are not treated as department #. Consequently the four-digit PLU # is available only in "REG.", "M.DOWN", and "REWRAP" modes.

NOTE: The default Dept No. is a two-digit serial number ranging from 0 to 99. Entering a "0" clears a Dept. No.

Vendor Number

Vendor numbers can be set when the Initial Setting #11-1 is set to 1.

Vendor numbers are assigned to the speed keys in two ways:

Individual vendor number: 00-39

Vendor # is assigned to the speed keys one by one.

Group vendor number: 0-, 1-, 2- and 3-

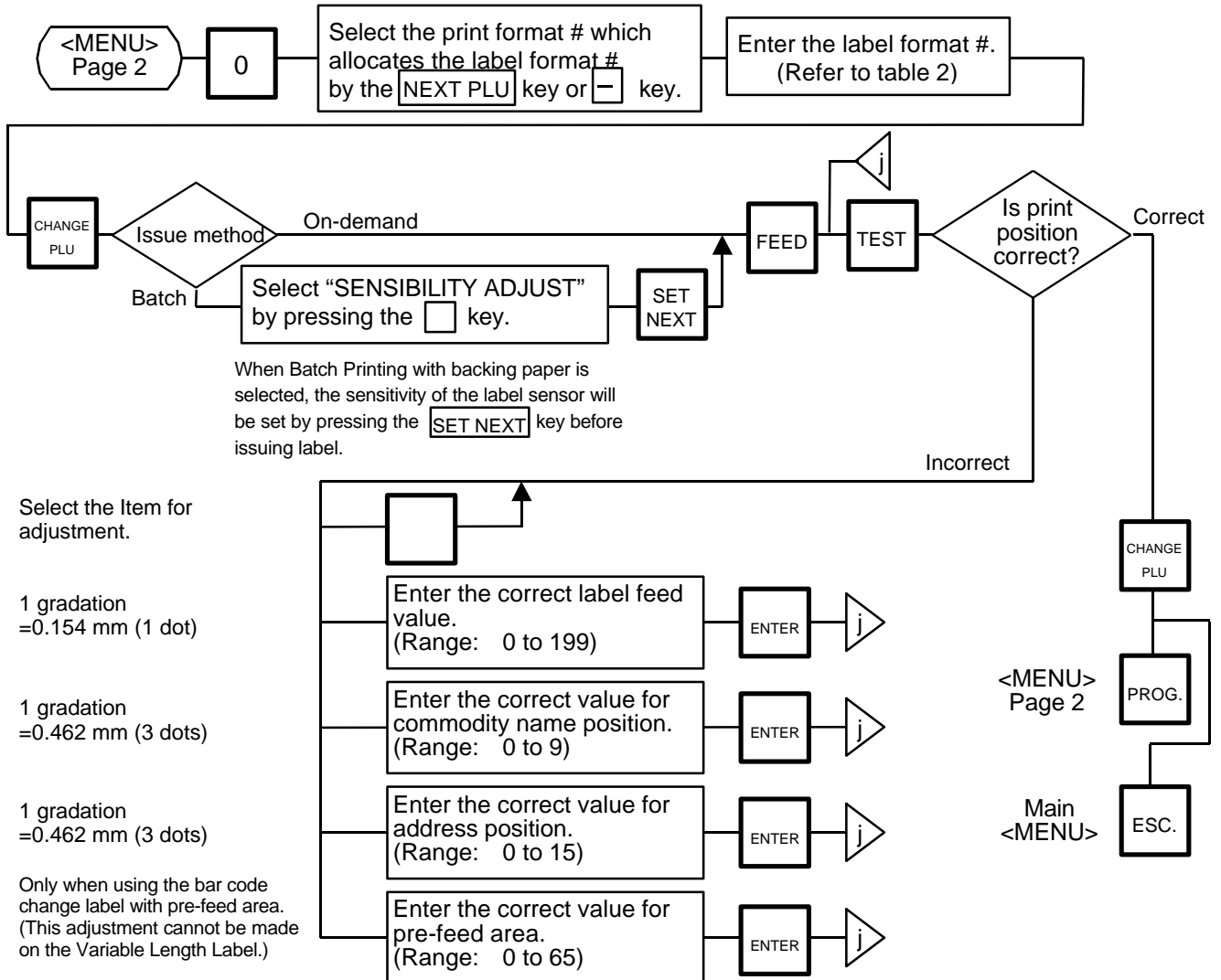
Maximum 10 vendor numbers can be assigned to one speed key, resulting in 4 speed keys in total. When assigning group vendor numbers to the speed keys, enter the first digit of the vendor key (0, 1, 2 or 3) plus a bar (-).

Vendor numbers can be called whichever half of the speed keys are selected.

10.11 PRINT FORMAT

Menu Page: 2
Item No.: 0

The SL-9000 can memorize 5 different print formats. After print formats are set, you can call them by pressing the print format number.



NOTES:

1. When a commodity name position is adjusted, an address position will move automatically.
2. When entering the other label format #, fine adjust values are initialized.
3. Selecting label format numbers other than those provided in Table 2 results in an error.
4. When selecting a variable length label format, rectangles are printed instead of print items when test printing.
5. Pressing the **[]** key allows you to select a print format number from 1 to 5.
6. Be sure to press the **SET NEXT** key when a label format for batch printing with backing paper is selected.

Table 2: Label Format Number Table

Select the format # for the label to be used by referring to the table below.

Format #	Print format			48-mm wide label				57-mm wide label			
	Basic form	Ingredient	Commodity		Length	Nutri.	F.S.		Length	Nutri.	F.S.
00 (50)	NON POS	0	2 (48mm) lines only	Yes	30.0	No	No	No	---	---	---
10 (60)	POS	0	2 (48 mm) / 4 (57 mm)	Yes	40.0	No	No	Yes	49.2	No	No
11 (61)		6	2 (48 mm) / 4 (57 mm)	Yes	54.8	No	No	Yes	63.5	No	No
12 (62)		12	2 (48 mm) lines only	Yes	68.8	No	No	No	---	---	---
13 (63)		18	2 (48 mm) / 4 (57 mm)	Yes	82.6	No	No	Yes	92.8	No	No
14 (64)		22	2 (48 mm) lines only	Yes	92.0	No	No	No	---	---	---
15 (65)		38	4 (57 mm) lines only	No	---	---	---	Yes	138.1	No	No
16 (66)		37	4 (57 mm) lines only	No	---	---	---	Yes	138.1	Yes	No
21 (71)		NET WT.	6	2 (48 mm) / 4 (57 mm)	Yes	69.9	No	No	Yes	85.7	No
22 (72)	12		2 (48 mm) lines only	Yes	84.1	No	No	No	---	---	---
23 (73)	18		4 (57 mm) lines only	No	---	---	---	Yes	112.7	No	No
24 (74)	22		2 (48 mm) lines only	Yes	106.4	No	No	No	---	---	---
25 (75)	38		4 (57 mm) lines only	No	---	---	---	Yes	158.7	No	No
26 (76)	38		4 (57 mm) lines only	No	---	---	---	Yes	158.7	Yes	No
31 (81)	BOTTOM BARCODE	6	2 (48 mm) / 4 (57 mm)	Yes	76.2	No	No	Yes	96.8	No	No
32 (82)		12	2 (48 mm) lines only	Yes	90.5	No	No	No	---	---	---
33 (83)		18	2 (48 mm) / 4 (57 mm)	Yes	104.8	No	No	Yes	123.8	No	No
34 (84)		22	2 (48 mm) lines only	Yes	112.7	No	No	No	---	---	---
35 (85)		38	4 (57 mm) lines only	No	---	---	---	Yes	171.4	No	No
36 (86)		22/38	2 (48 mm) / 4 (57 mm)	Yes	112.7	Yes	No	Yes	171.4	Yes	No
41 (91)	FREE FORMAT	4 (57 mm) lines only		No	---	---	---	Yes	Free	No	Yes
42 (92)				No	---	---	---	Yes	Free	No	Yes
43 (93)				No	---	---	---	Yes	Free	No	Yes
* 44 (94)	FSP	13	2 (57 mm) lines only	No	---	---	---	Yes	98.4	No	Yes
48	VARIABLE		2 (48 mm) / 4 (57 mm)	Yes	Variable	Yes	No	Yes	Variable	Yes	Yes
49	ROTATION	21	4 (57 mm) lines only	No	---	---	---	Yes	Variable	Yes	Yes

NOTE:

*: SL-9000N only

Format No.

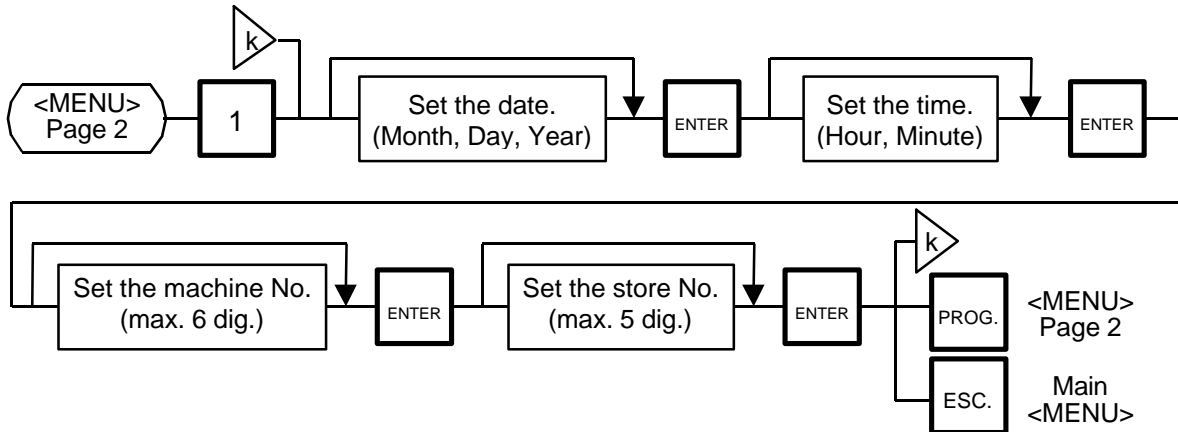


- 0: 0 ingredient line
 - 1: 6 ingredient lines (Except free format)
 - 2: 12 ingredient lines (Except free format)
 - 3: 18 ingredient lines (Except free format)
 - 4: 22 ingredient lines
 - 5: 38 ingredient lines
 - 6: Ingredient + Nutrition on white label with symbols
 - 7: 960 format
 - 8: Variable length
 - 9: Variable length + rotation
-
- 0: NON POS (On demand print)
 - 1: POS (On demand print)
 - 2: NET WT. Statement (On demand print)
 - 3: Bottom barcode (On demand print)
 - 4: Other than 0 to 3 (On demand print)
 - 5: NON POS (Batch print on labels with back paper)
 - 6: POS (Batch print on labels with back paper)
 - 7: NET WT. Statement (Batch print on labels with back paper)
 - 8: Bottom barcode (Batch print on labels with back paper)
 - 9: Other than 5 to 8 (Batch print on labels with back paper)

10.12 DATE/TIME SETTING

Menu Page: 2
Item No.: 1

Date, time, machine number, and store code are set with this procedure.



NOTES:

1. Express the time in a 24-hour military format.
2. The SL-9000 will check details of date (time) input, and any wrong date (time) will result in an error mode. Then the correct date (time) should be re-entered and press the **CLEAR** key.
3. Even when initial Setting# 8-4, 8-5 or 8-6 is set to the " Julian Date " side, the way to enter the date in the date setting operation is the same as in the ordinary case.
4. The date display method can be changed by the initial setting.

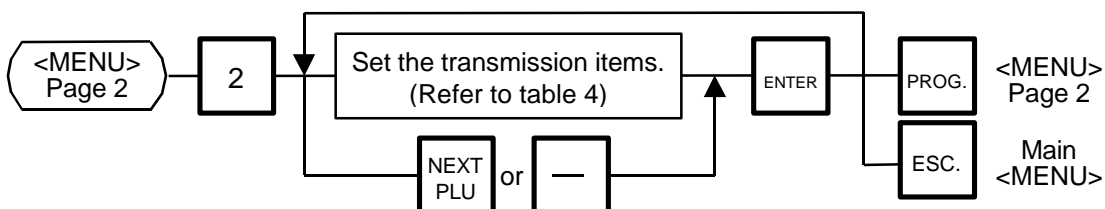
10.13 CMT/PL-3

Menu Page: 2
Item No.: 2

CMT Operations

The SL-9000 is designed to interface with a Cassette Magnetic Tape loader. This loader allows the transfer of the entire PLU file, ingredient file and other data from the SL-9000 to tapes. This can be accomplished in number of operation steps.

In turn, information from the tape can also be transferred to another SL-9000 scale.



NOTES:

1. The error mode can be released by pressing the **CLEAR** key, and operated again through the above steps.
2. Use the metal cassette tape which is commercially available and has a capacity of 45 or 60 minutes recording.
3. For operations of the CMT loader, refer to the instruction manual provided with the CMT loader.

PL-3 Operation

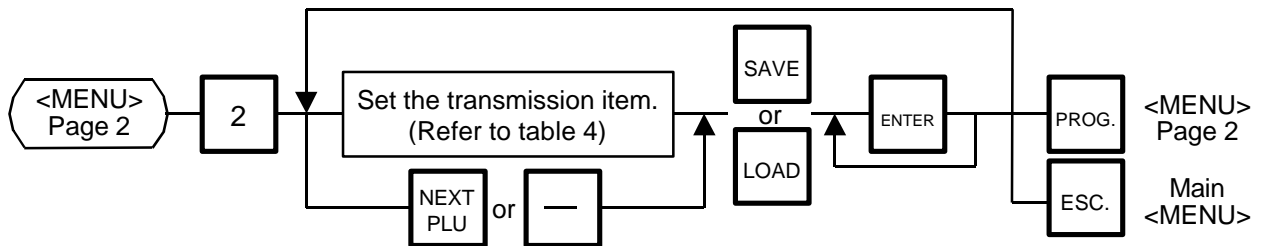
Connect the PL-3 to the SL-9000 by using RS-232C Cable, then turn on the power of the SL-9000 and the PL-3.

Insert a data disc into the PL-3 and adjust the transmission rate to the SL-9000 (7 2 :4800 BPS or 7 3 : 2400 BPS) by using the rotary switch.

Press the SAVE key of the PL-3, then check whether the SAVE LED is on.

Program the file number of the data disc by using the rotary switch.

(4 1 : File No. 1, 4 2: File No. 2, 4 8 : File No. 8, 4 9: File No.9)



NOTES:

1. Press SAVE or LOAD key on the PL-3.
2. In the event Enter Key is not pressed within 10 seconds after SAVE or LOAD key is pressed, the Time Out Error results.
3. After pressing the ENTER key, the operation ends when "00" appears in the 7 seg. display and LAMP goes off. Remove the data disc and turn the power off.
4. Be sure to start the PL-3 before the main operation.

Table 3: Error code during PL-3

Error Code	Error Message	Error Code	Error Message
1	0 FDC ERROR	3	7 FRAMING ERROR
	1 FDK MISINSERTION ERROR		8 PARITY ERROR
	2 UNAVAILABLE FDK INSERTION ERROR	7	0 DATA ERROR
	3 VOL. LABEL UNMATCH ERROR		1 STATUS ERROR
	4 FDK MEMORY FULL ERROR		2 TIME OUT ERROR
	5 WRITE PROTECT ERROR		3 FDK READ/WRITE ERROR
	6 NO SEARCH FILE ERROR	F DESIGNATED SELECT KEY ERROR	
3	1 TIME OUT ERROR	8	0 RAM READ/WRITE ERROR
	2 LOAD ERROR		1 ROM CRC ERROR
	3 FDK ERROR		2 RAM BACK UP BATTERY ERROR
	4 BUSY STATUS		3 FDC DIAG LEVEL 0 ERROR
	5 POWER FAIL ERROR		E SYSTEM FDK LOADING ERROR
	6 OVERRUN ERROR		F SYSTEM ERROR

- 1) When the error code is FF, this system enters stop mode. (Turn the power off/on for release.)
- 2) When the error code is F2 or FE, perform the status clear (9 9).
- 3) If an error occurs, refer to the PL-3 Owner's Manual and solve the problem.

Table 4: Transmission Item List

ITEM #	Title on the Display	Contents of Transmission	CMT	PL-3
2	VERIFY PLU & ING. = CMT 2	COMPARE PLU & ING. IN OLD FORMAT		
3	READ PLU & ING. FM CMT 3	READ PLU & ING. IN OLD FORMAT		
4	WRITE PLU TO CMT 4	SAVE PLU IN NEW FORMAT		
5	VERIFY PLU = CMT 5	COMPARE PLU IN NEW FORMAT		
6	READ PLU FROM CMT 6	READ PLU IN NEW FORMAT		
7	WRITE ING. TO CMT 7	SAVE ING. IN NEW FORMAT	x	
8	VERIFY ING. = CMT 8	COMPARE ING. IN NEW FORMAT	x	
9	READ ING. FROM CMT 9	READ ING. IN NEW FORMAT	x	
10	WRITE NUTRI. TO CMT 10	SAVE NUTRITION IN NEW FORMAT		
11	VERIFY NUTRI. = CMT 11	COMPARE NUTRITION IN NEW FORMAT		
12	READ NUTRI. FM CMT 12	READ NUTRITION IN NEW FORMAT		
13	WRITE SPEED KEY 13	SAVE SPEED KEY IN NEW FORMAT		
14	VERIFY SPEED KEY 14	COMPARE SPEED KEY IN NEW FORMAT		
15	READ SPEED KEY 15	READ SPEED KEY IN NEW FORMAT		

: operable, x : inoperable

NOTE: When the PL-3 is connected, more than one FDK may be required depending on the amount of ING. data.

Be careful of the following when changing a FDK.

a: During the write operation, replace with a formatted FDK.

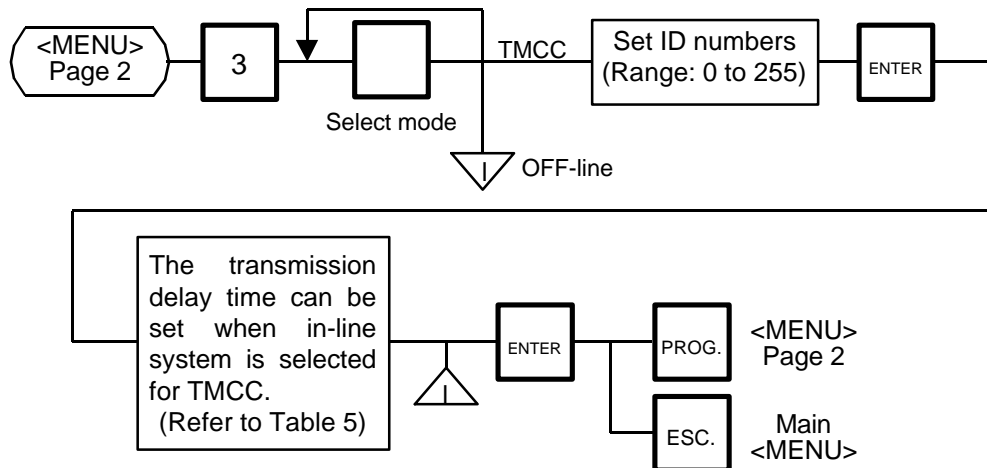
b: Verify and read data in same order as the write.

To cancel to change a FDK, press the CLEAR key.

10.14 IN-LINE/LOCAL

Menu Page: 2
Item No.: 3

When the SL-9000 is used as a satellite in an in-line system, the "ID #" and "Transmission delay time" can be set by the following procedure.



NOTES:

1. The TMCC baud rate is fixed to 4800 BPS.
2. After setting the ID #, turn the power switch OFF and ON again.
3. This setting is not available in case that the Initial setting #13-6 is set to 1 (LAN: allowed).

Table 5: Transmission Delay Time Table

	TR-Time (ms)		TR-Time (ms)
1	20 to 39	6	120 to 139
2	40 to 59	7	140 to 159
3	60 to 79	8	160 to 179
4	80 to 99	9	180 to 199
5	100 to 119		

The default is 3.

10.15 LON SYSTEM

Menu Page: 2
 Item No.: 4

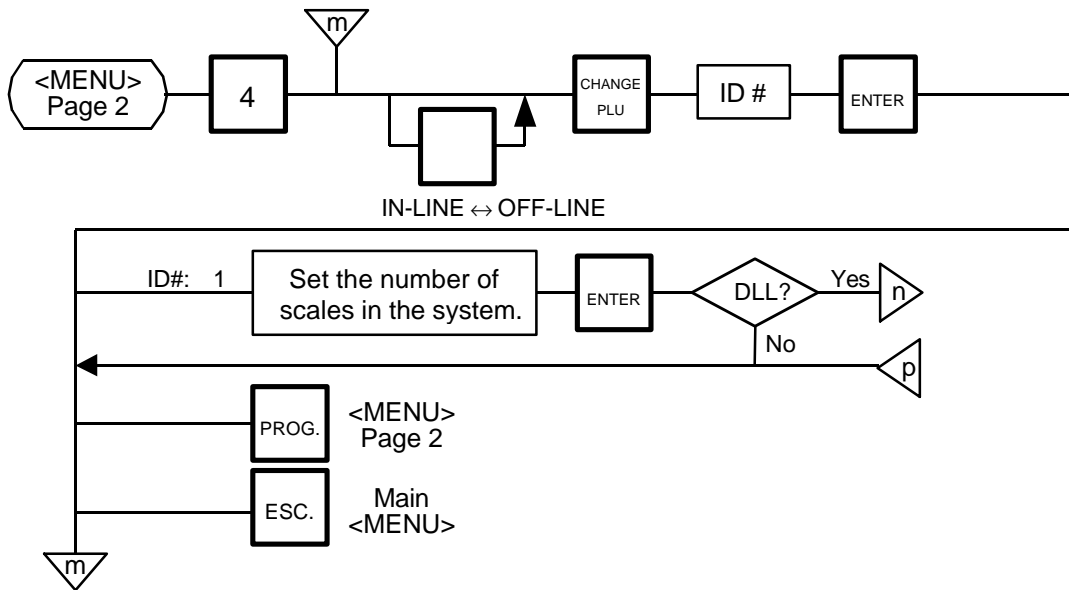
The SL-9000 scales which consists of a master, satellites, and a backup master are connected each other by the LON cable to transmit data such as PLU, ING., NUTRI, etc.

ID# 1 is reserved for the master terminal.

ID# 2 is reserved for the backup master terminal or satellite terminal.

ID# 3 to 32 are for satellite terminals.

Setting numbers other than the above results in an error.



NOTES:

1. Before starting the above procedure, press the key and enter IN-LINE mode.
2. When installing the backup master terminal, set the master scale's initial status of #9-1 to 1.
3. Set ID # to all scales connected by LON cable.
4. When the display power is turned on, a satellite terminal is ready to receive data from the master terminal.
5. After setting the ID #, turn the power switch OFF and ON again.

Data Transmission

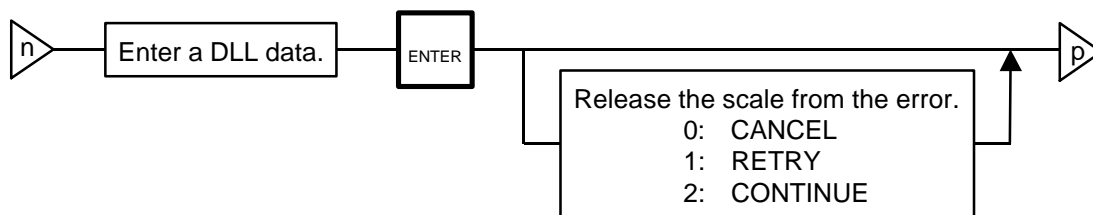
The following data is down-line-loaded.

Page 1: (0). All (PLU+ING+NUTRI)

- (1). PLU
- (2). ING.
- (3). NUTRITION
- (4). U. PRICE
- (5). DATE/TIME
- (6). MESSAGE LINK (Message)
- (7). LOCK SCALE (Check the LON cable)
- (8). OPEN SCALE (Release the lock after checking the LON cable.)
- (9). CHANGE PAGE

Page 2: (0). SPEED KEY

- (1). LOGO
- (2). VENDOR
- (3). FREE FORMAT
- (4). ADDRESS (SL-9000N only)
- (5). INITIAL (#0-19, SL-9000N only)
- (9). CHANGE PAGE



NOTE: DLL is performed automatically in the following two ways. It is selectable by the Initial Settings #0-6 and #0-7.

(1) LOCK SCALE method

Step 1: "LOCK SCALE" is sent. (*1)

Step 2: Selected data is sent. (*2)

Step 3: "OPEN SCALE" is sent.

*1: If an error occurs during step 1, the error terminal ID# is indicated. Select "cancel", "retry" or "continue" to release the terminal from an error.

cancel: Quits the operation after sending "OPEN SCALE"

retry: Tries to send "LOCK SCALE" again.

continue: Ignores the error terminal and starts DLL.

*2: If an error occurs during step 2, the error terminal ID# is indicated.

Press the key to return to the DLL data selection menu.

(2) Background DLL

Step 1: Selected data is sent. (*3)

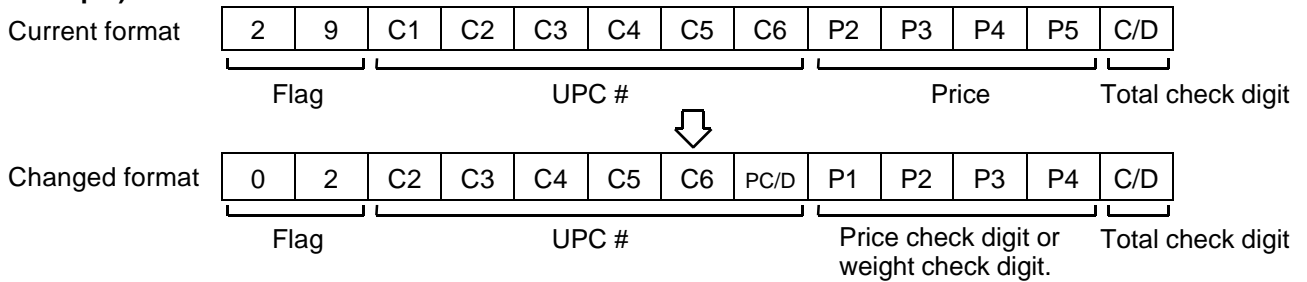
*3: If an error occurs, the error terminal ID# is indicated. Press the key to return to the DLL data selection menu.

10.16 BAR CODE FORMAT

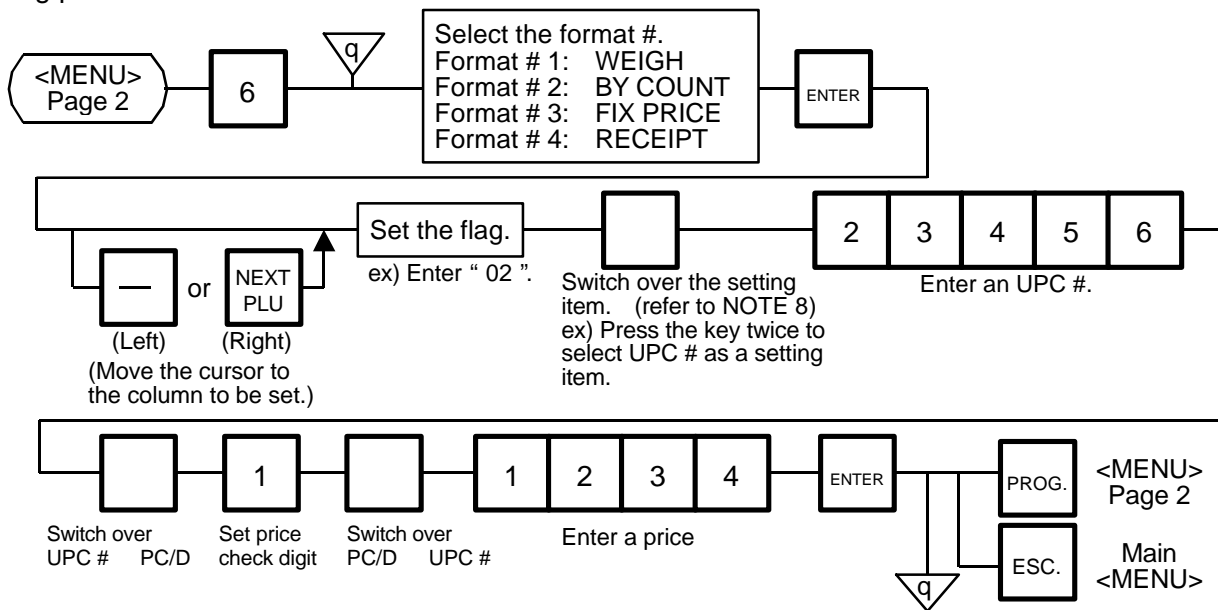
Menu Page: 2
Item No.: 6

With the SL-9000 scale, four kinds of bar code formats are available. These formats can be changed freely.

Example)



When changing the above example format into the weigh format described in NOTE 1, use the following procedure.



NOTES:

1. In this printer, the previously set bar code format is initialized to the following default by RAM clear.

Default Bar Code Format:

Weigh or Fix Price Format

0	2	C2	C3	C4	C5	C6	PC/D	P1	P2	P3	P4	C/D
---	---	----	----	----	----	----	------	----	----	----	----	-----

By Count Format

0	0	0	C2	C3	C4	C5	0	0	0	0	C6	C/D
---	---	---	----	----	----	----	---	---	---	---	----	-----

Receipt Format

0	2	0	0	0	0	PC/D	P1	P2	P3	P4	P5	C/D
---	---	---	---	---	---	------	----	----	----	----	----	-----

2. When the **ENTER** key is pressed, bar code format is checked. An error occurs in the following cases.

Check digit (C/D) is at other than digit-13.

Price check digit (PC/D) cannot be calculated. (Price is other than 4 or 5 digits.)

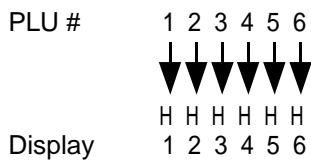
Price is not set serially beginning from P1 (P1 to P4, or P1 to P5).

Weight is not set serially beginning from W1 (W1 to W5).

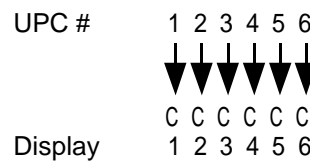
3. The usable keys to set the column are as follows:

FLAG	0 to 9
PLU #	1 to 6
UPC #	1 to 6
PC/D	1
PRICE	1 to 6
WEIGHT	1 to 6
C/D	1

4. Digits and display of PLU #



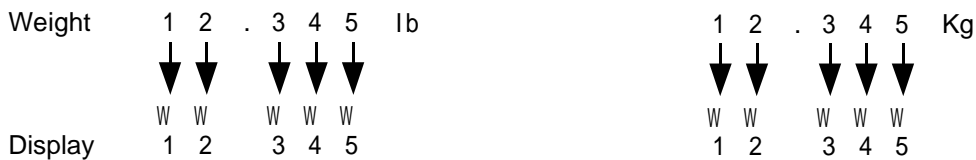
5. Digits and display of UPC #



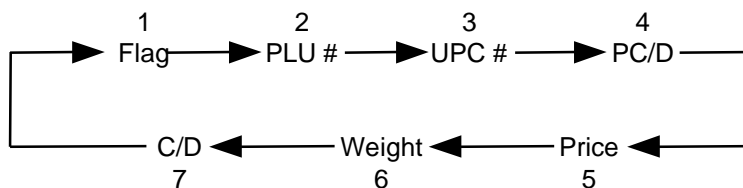
6. Digits and display of price



7. Display of weight Digits



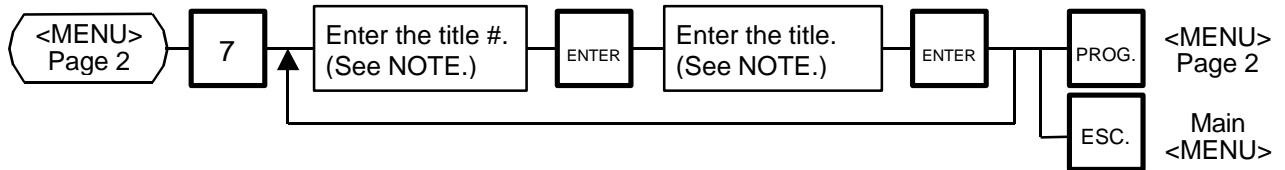
8. Setting Items



10.17 TITLES

Menu Page: 2
Item No.: 7

You can register and change displayed/printed titles of the additional information area for nutrition facts using the following procedure. Registered or changed titles are stored in the RAM. When ALL clear or RAM clear is executed, these titles will be cleared and the initial titles will resume. Before starting this operation, set the initial setting #7-3 to 1.



NOTE: Title No. and format of the additional information area

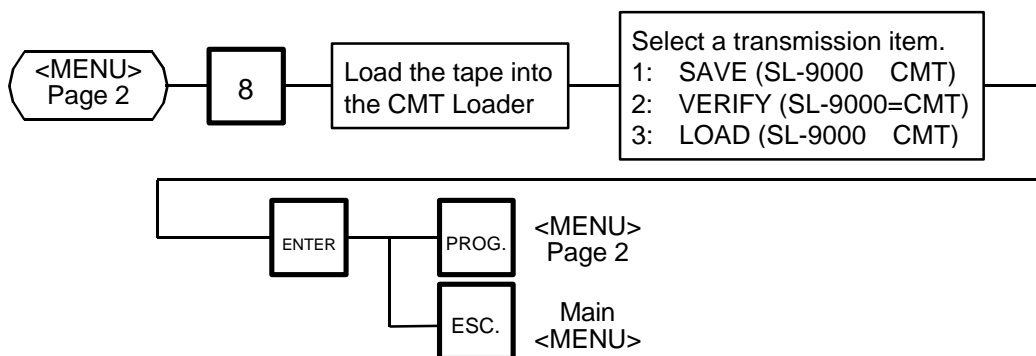
Item	Title No.	Format
Additional 1	221	<div style="border: 1px solid black; width: 100%; height: 15px; margin-bottom: 5px;"></div> <div style="text-align: center; border-top: 1px solid black; border-bottom: 1px solid black; width: 80%; margin: 0 auto;">Max. 22-character title</div>
Additional 2	231	<div style="border: 1px solid black; width: 100%; height: 15px; margin-bottom: 5px;"></div> <div style="text-align: right; margin-bottom: 5px;">:mg or g</div> <div style="text-align: center; border-top: 1px solid black; border-bottom: 1px solid black; width: 80%; margin: 0 auto;">Max. 19-character title</div>
Additional 3	232	
Additional 4	233	
Additional 5	234	
Additional 6	235	<div style="border: 1px solid black; width: 100%; height: 15px; margin-bottom: 5px;"></div> <div style="display: flex; justify-content: space-between; margin-bottom: 5px;"> <div style="border-top: 1px solid black; border-bottom: 1px solid black; width: 45%; text-align: center;">Max. 10 character title</div> <div style="border-top: 1px solid black; border-bottom: 1px solid black; width: 45%; text-align: center;">Max. 10 character title</div> </div> <div style="text-align: center; margin-bottom: 5px;">Space</div> <div style="text-align: center; border-top: 1px solid black; border-bottom: 1px solid black; width: 80%; margin: 0 auto;">(Two different titles can be set in one area)</div>
Additional 7,8	238	
Additional 9,10	239	
Additional 11,12	240	

10.18 TRANSFERRING LOGO DATA

Menu Page: 2
Item No.: 8

Logo data is created on a PC and stored into RAM through the CMT interface. Two different sizes of logos, 320x118 dots and 256x64 dots, are available on the SL-9000 series. 64 KB of RAM area is secured for logo data, in which the maximum of 13 logos (320x118 dots) or 26 logos (256x64 dots) can be stored.

Before starting the following operation, set the initial setting #10-7 to 1.



NOTE: Two sizes of logos are printed differently as follows:

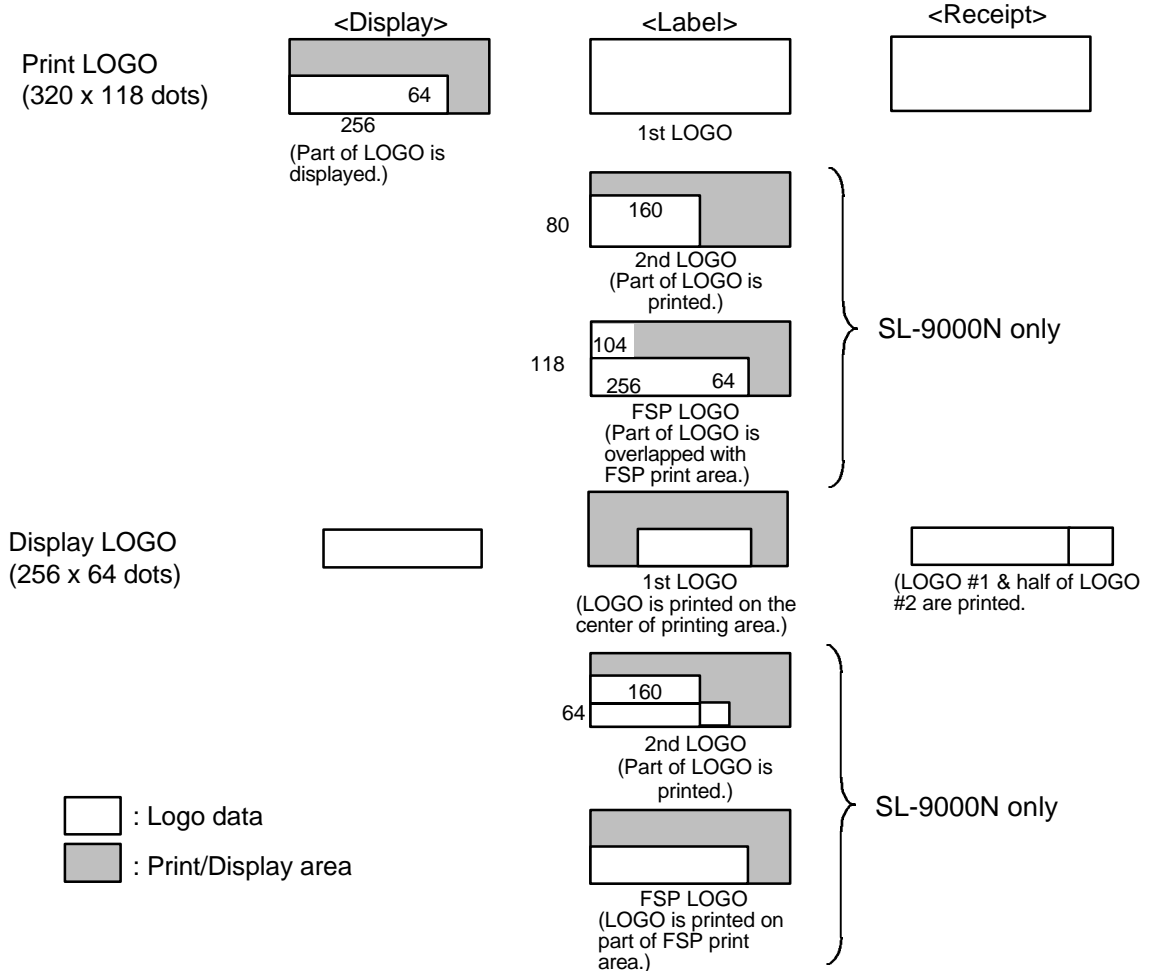


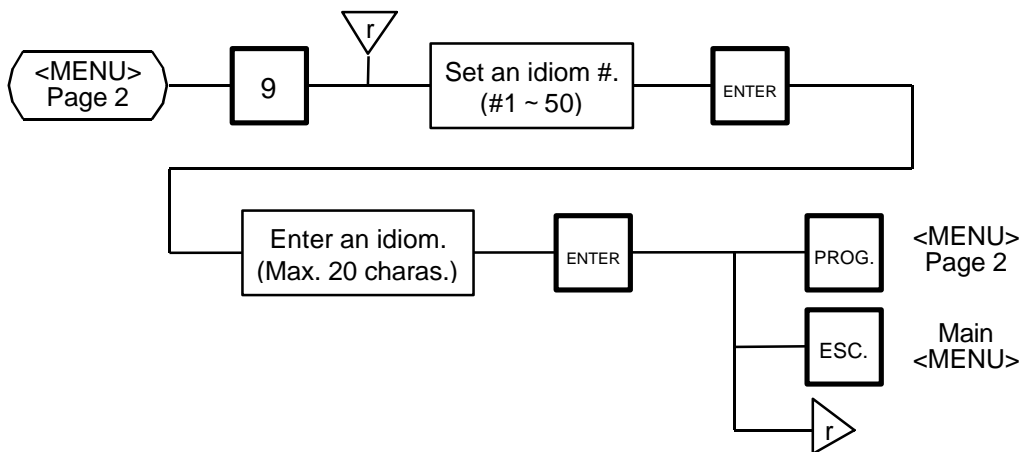
Table 6: Error message during data transmission

Error message	Cause	Error position	
		Header text	Data text
DATA ERROR	Timeout		
	Incorrect segment		
	Incorrect logo size		
	Incorrect number of logos		
	Incorrect logo number		
	Incorrect number of dots to be printed.		
	Parity error		
	Framing error		
Overrun error			

10.19 IDIOM SETTING

Menu Page: 2
 Item No.: 9

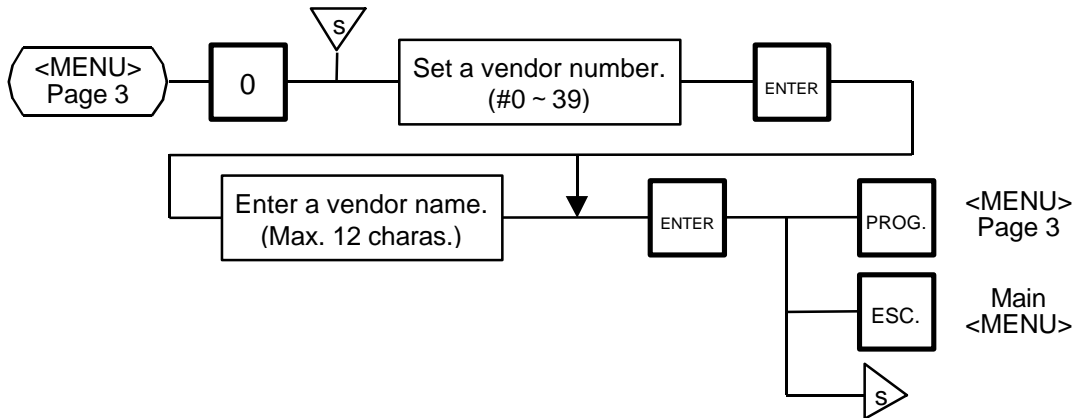
Up to 50 terms frequently appearing in ingredient messages can be preset using the following procedure. The idiom number must be set from 1 to 50 in order. One idiom can contain a maximum of 20 characters.



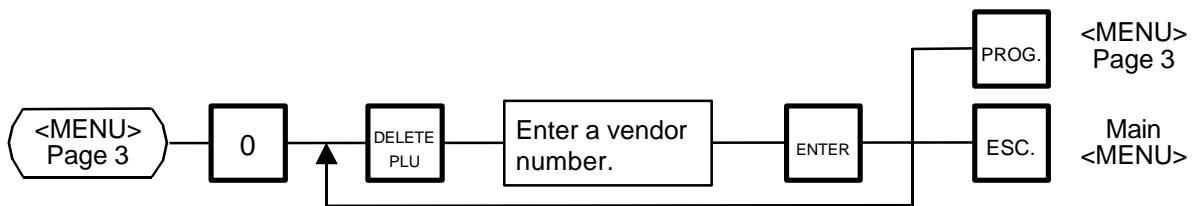
10.20 VENDOR SETTING

Menu Page: 3
 Item No.: 0

Up to 40 vendors can be registered using the following procedure. The vendor number must be set from 0 to 39 in order. One vendor name can contain a maximum of 12 characters.



Deleting a vendor number



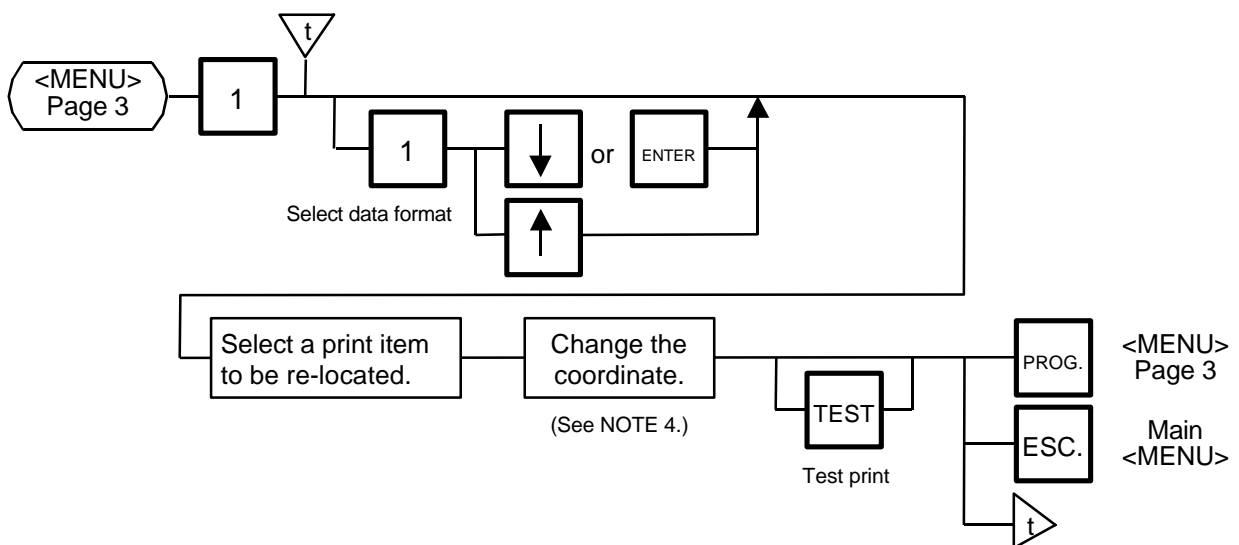
10.21 FREE FORMAT SETTING

Menu Page: 3
Item No.: 1

When using 57-mm wide labels, up to three print formats can be changed freely. Moreover, characters can be rotated and magnified, and print items are selectable. Enter the coordinate of each print item's lower left corner using the lower left corner of a label as the origin. When a print item is located beyond the label width, an error will occur.

Key functions

- : Moves downward (Data is stored.)
 - ENTER : Moves downward (Data is stored.)
 - : Moves upward (Data is stored.)
 - : Moves to the right
 - : Moves to the left
 - : Selects a setting
- a. ROT (Rotation) : 0° → 90° → 180° → 270°
- b. MAG (Magnification) :
 ▶ 0: normal
 1: x 2 (width)
 2: x 2 (height)
 3: x 4 (width: x 2, height: x 2)
- c. PRT (Print) : ON ↔ OFF



10. PROGRAMMING PROCEDURES

10.21 FREE FORMAT SETTING

NOTES:

1. The following print items cannot be magnified.
 - (1) LOGOs
 - (2) Safe handling precautions
 - (3) Ingredient messages
 - (4) Barcode
 - (5) FSP block (SL-9000N only)
2. Base label format numeric data is shown automatically.

X coordinate: 0-383 dots (1 dot = 0.132 mm)

Y coordinate: 0-1300 dots (1 dot = 0.154 mm)

Format data beyond the effective print area results in an error.
3. Each format data must be set in the following range:

Free Format#s (FREE FMT#): 1-3 (Free format#s 1-3 correspond to the label format #41-43 or #91-93.)

Base label format (BASE LBL#): 57-mm wide label

On-demand: 10, 11, 13, 15, 16, 21, 23, 25, 26, 31, 33, 35, 36 and 44

Length: 30-200 mm

Number of ingredient message lines: 0-38 lines

Bar code height: 0-39 mm
4. Each print item should be printed in the following range.

No.	Print Item	Print area size				Note
		Normal		Rotation		
		X	Y	X	Y	
1	Commodity name (4 line)	384	94	94	416	
2	Ingredient	384	*1	*1	438	*1. Line count x 15 dots
3	Packed ON	84	20	20	92	
4	Packed ON (title)	70	13	13	78	
5	Sell BY	84	20	20	92	
6	Sell BY (title)	70	13	13	78	
7	Weight	106	20	20	112	
8	Weight (title)	105	13	13	112	
9	Unit price	140	20	20	147	
10	Unit price (title)	105	13	13	112	
11	Price	138	32	32	147	
12	Price (title)	105	13	13	112	
13	Barcode	212	*2	----	----	*2. Height/0.154 (dot)
14	Mark (M/R)	12	20	20	12	
15	Tare	100	20	20	107	
16	Tare (title)	34	13	13	38	
17	SP-INFO/NET WT	384	48	48	416	
18	Relish	84	20	20	92	
19	Relish (title)	232	14	14	252	
20	LOGO	320	118	----	----	
21	Safe Handling	384	194	----	----	
22	Address	384	32	32	416	
23	(F) Price	138	32	32	146	
24	(F) Price (title)	105	13	13	120	
25	(F) Unit price	140	20	20	147	

No.	Print Item	Print area size				Note
		Normal		Rotation		
		X	Y	X	Y	
26	(F) Unit price (title)	105	13	13	120	
27	(F) Weight	106	20	20	112	
28	(F) Weight (title)	105	13	13	120	
29	(F) Price	138	32	32	146	
30	(F) Price (title)	105	13	13	120	
31	(L) LOGO	320	118	----	----	
32	FSP block (SL-9000N only)	384	184	----	----	
33	LOGO 2 (SL-9000N only)	160	80	----	----	

When setting the print item positions (X and Y), an error will occur in the following cases.

Entered "X" point + Print size "X" > 384 dots.

Entered "Y" point + Print size "Y" > 1300 mm

Magnified print items become double in size.

5. The following items cannot be rotated.

LOGO

Safe handling precautions

Bar codes

LOGO (FREQUENT SHOPPER)

FSP Block (SL-9000N only)

LOGO 2 (SL-9000N only)

6. When pressing the **[TEST]** key, the printer issues a test label.

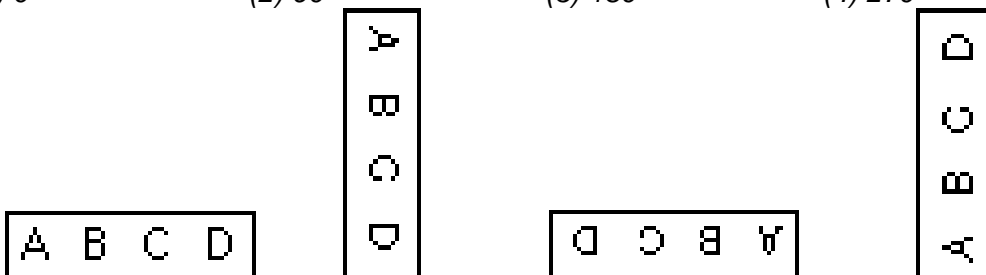
7. Rotated data will be printed so that the lower left corner is positioned at the designated coordinate.

(1) 0°

(2) 90°

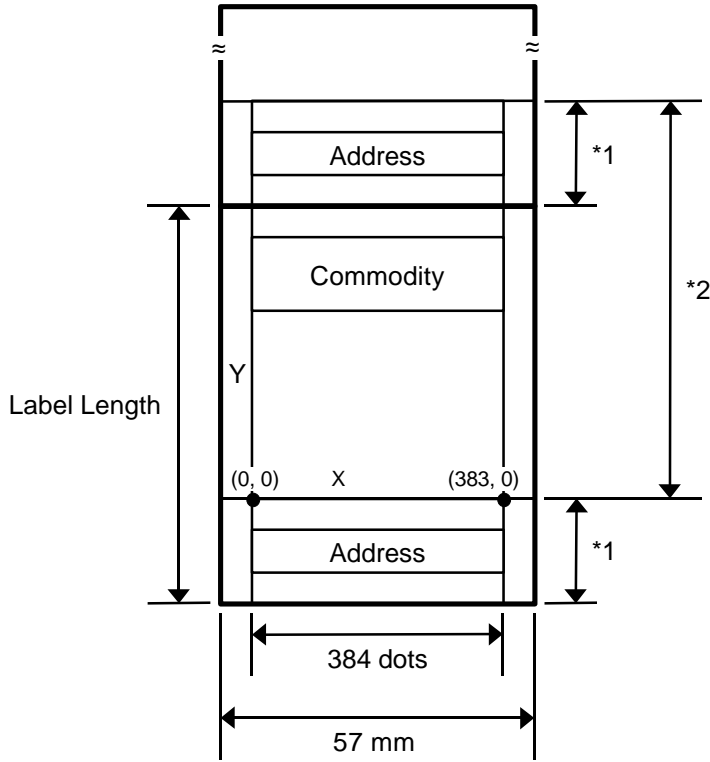
(3) 180°

(4) 270°



The points indicated by the arrows are the designated coordinates.

8. Print coordinate



*1 Addresses are printed together with the previous label's data. To print addresses, use normal labels.

POS (Format #10-16): 10.0 mm

NET (Format #21-26): 10.0 mm

Bar code (Format #31-35): 8.5 mm

*2 Free format area

11. PROGRAMMED DATA VERIFICATION REPORTS

The programmed data can be printed on journal paper. Before issuing these reports, load the journal paper. The programmed data verification reports cannot be issued with any label. The keys to be used in the following procedures are those on the numeric key pad, which is right side of keyboard in the figure on page 5-3, but not on the programming keyboard.

How to access REPORT menu

Press the **ESC.** key to access the following display. Enter "5", and the scale will enter the REPORT menu. If the REPORT menu is protected, enter "5" and a password. (Refer to section 12)

<Menu>	
0. PROG.	5. REPORT
1. REG	6. RESET
2. MARK DOWN	7.
3. REWRAP	8.
4. SECURITY	9.

Menu : REPORT

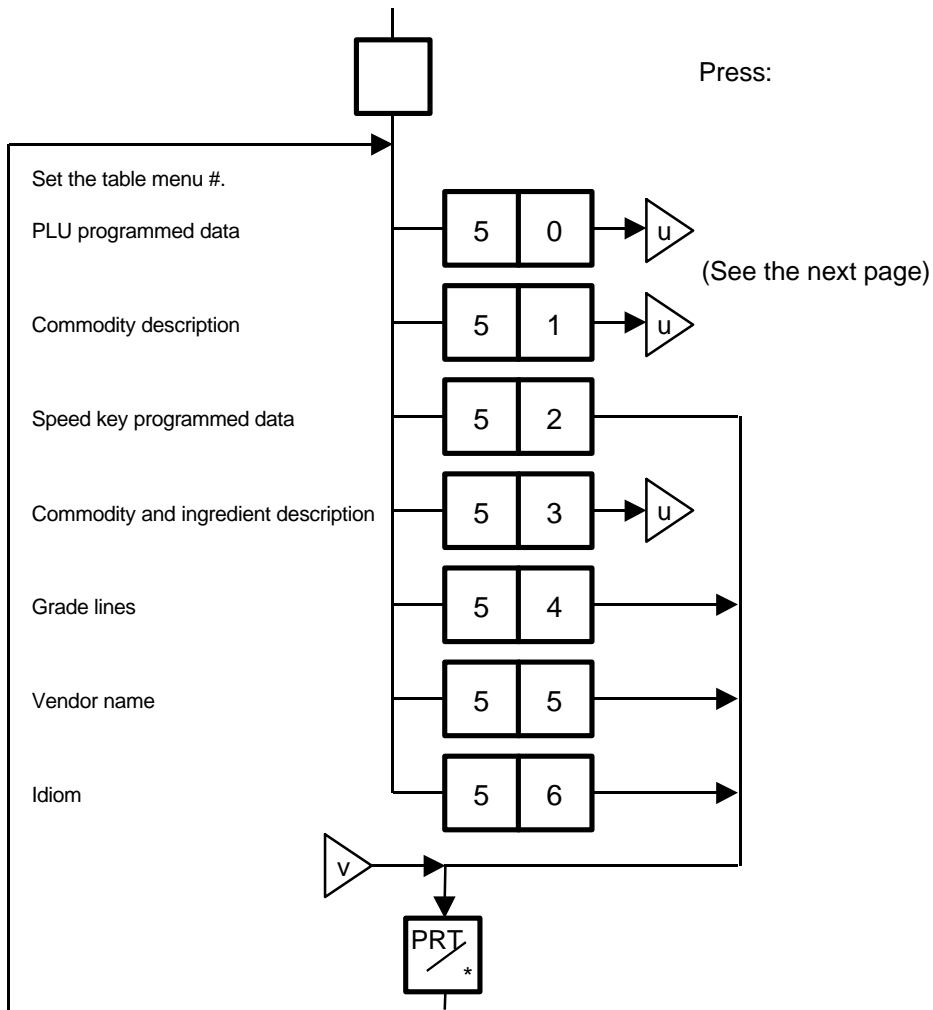
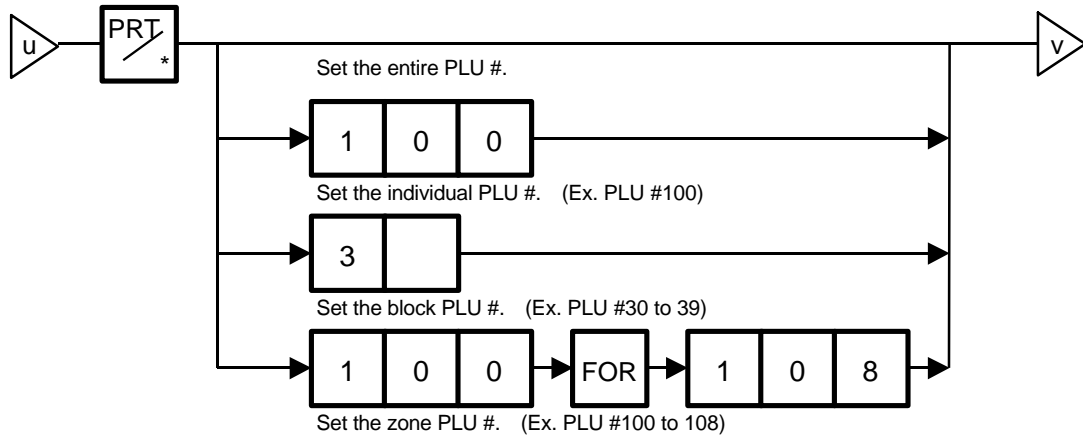


Table 7

Menu #	Report Name	Contents
50	PLU programmed data report	All the preset PLU data are listed in the PLU # order (from small to large #).
51	Commodity description report	All the preset commodity names are listed in the PLU # order (from small to large #).
52	Speed key programmed data report	The PLU # and the commodity name preset on each speed key is listed.
53	Commodity and ingredient description report	All the presets commodity names and ingredient messages are listed in the PLU # order (from small to large #).
54	Grade line report	All the preset grade line contents are listed.
55	Vendor name report	All preset vendor names are listed.
56	Idiom report	All preset idioms are listed.

Set the data range of each programmed data verification report

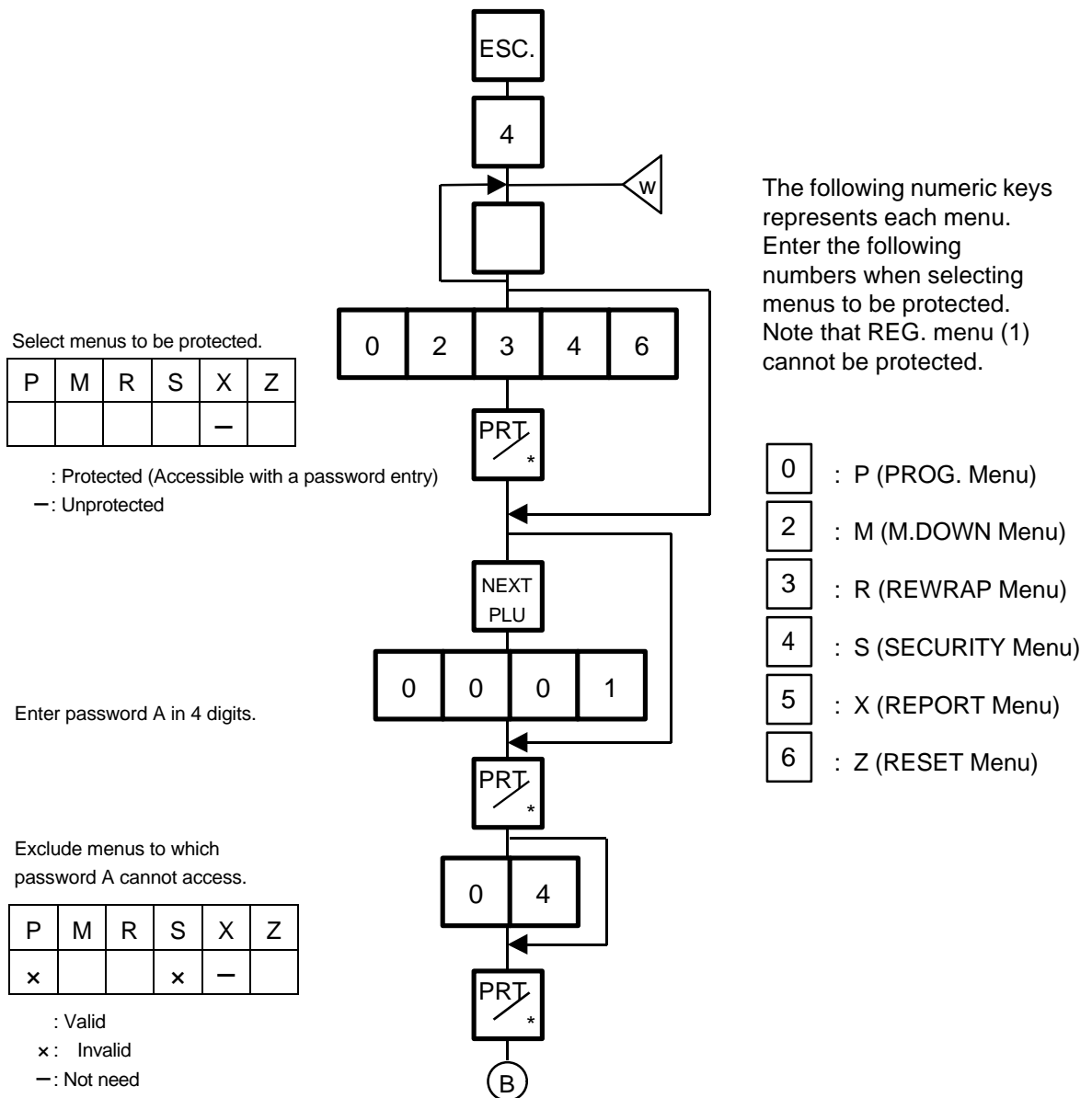


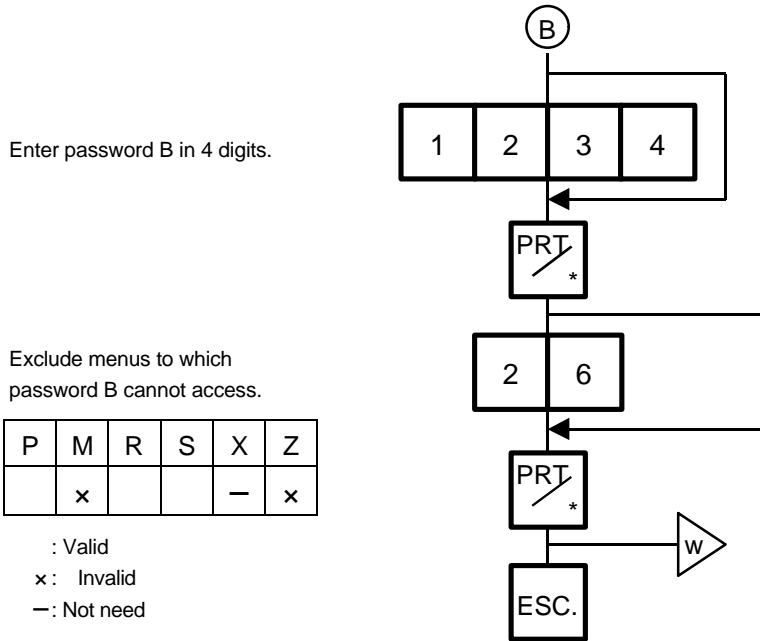
12. PASSWORD SECURITY

You can protect all menus (except REG. menu) and set two step passwords for access to protected menus.

12.1 SETTING PASSWORD AND PROTECT MENU

<Menu>	
0. PROG.	5. REPORT
1. REG.	6. RESET
2. MARK DOWN	7.
3. REWRAP	8.
4. SECURITY	9.

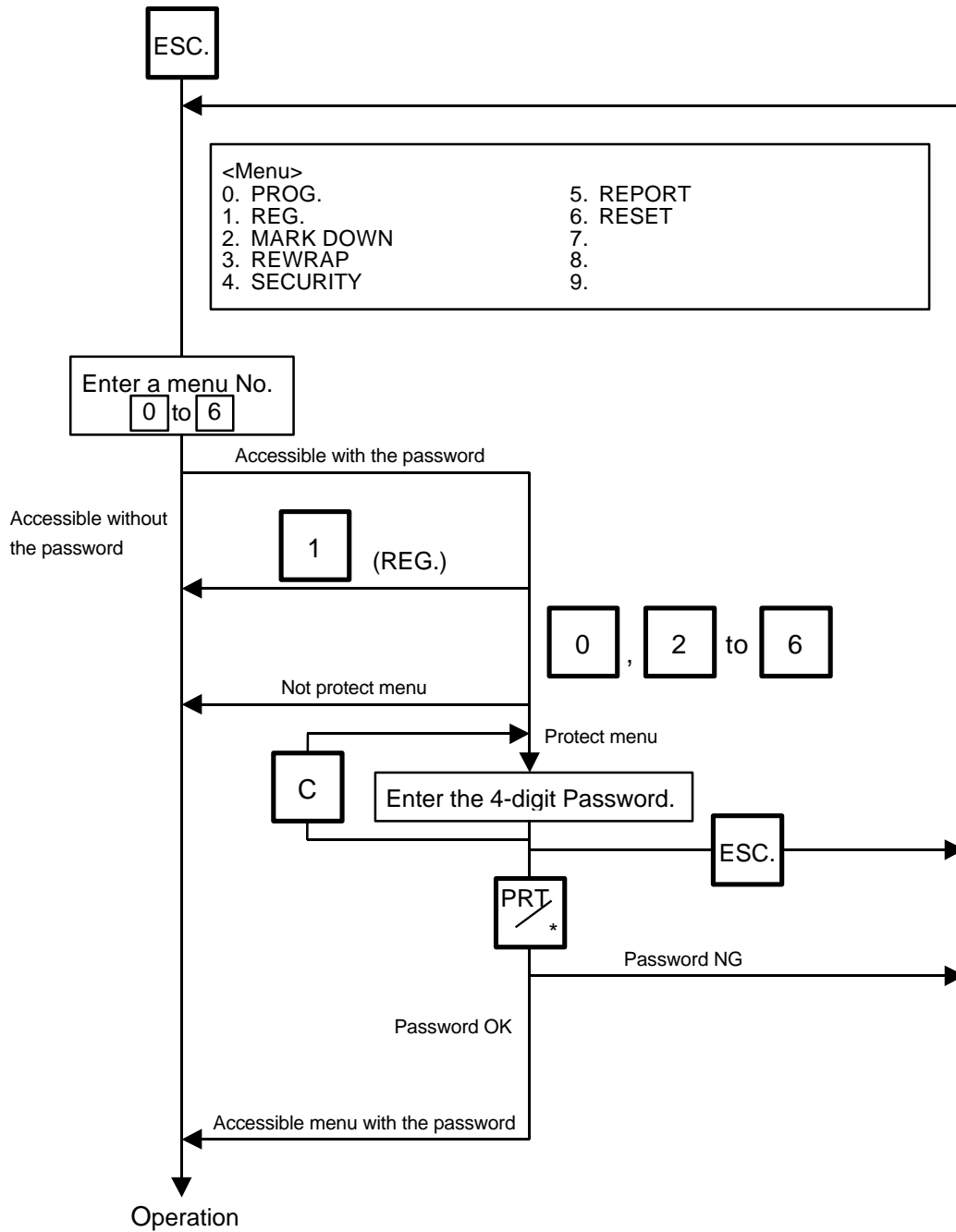




NOTES:

1. Select validity of the password by pressing the key
2. When the same password is entered for password A and B, password A has priority over the password B.
3. Be careful if you exclude the same menu from the accessible menus with both password A and B, you will not be able access the menu.

12.2 CALLING MENU BY ENTERING PASSWORD



NOTE: When the password is unknown, enter "HELP" instead, and you can access only security menu.

13. OPERATING PROCEDURES

WARNING!

Do not exceed the platter weight of maximum capacity. Or hang any item from the scale which exceed the platter weight.

NOTES BEFORE STARTING OPERATION

- (1) Turn the power ON.
- (2) A sixteen-second scanning will be performed after pressing the **POWER** key.
- (3) Should a power failure occur during operation, remove the commodity from the platter and insert the power plug into an AC outlet again when power is restored.
- (4) If the scale is used with an unrated power source, inaccurate scaling or other errors may occur.
- (5) If the zero point has shifted during scaling, and no tare is displayed, adjust the zero point by depressing the **ZERO** key.
- (6) Check the date of the scale before operation every day.
- (7) Make a test print before operation every day.
Press the **TEST** key, and the test label is issued.

How to access REG., M.DOWN, or REWRAP menu

The following display is the REG. menu display. When this display is shown after pressing the **POWER** key, you can start the REG. operation right away.

<REG.> MANU. WEIGH		
ENTER THE PLU #		
lb	UNIT/\$	TOTAL \$
0.000	P	000000

To access a menu from other menus, press the **ESC.** key to show the Main menu and enter the menu No. When the M.DOWN and REWRAP menus are protected, enter the menu No. and then the password.

<Menu>	
0. PROG.	5. REPORT
1. REG.	6. RESET
2. MARK DOWN	7.
3. REWRAP	8.
4. SECURITY	9.

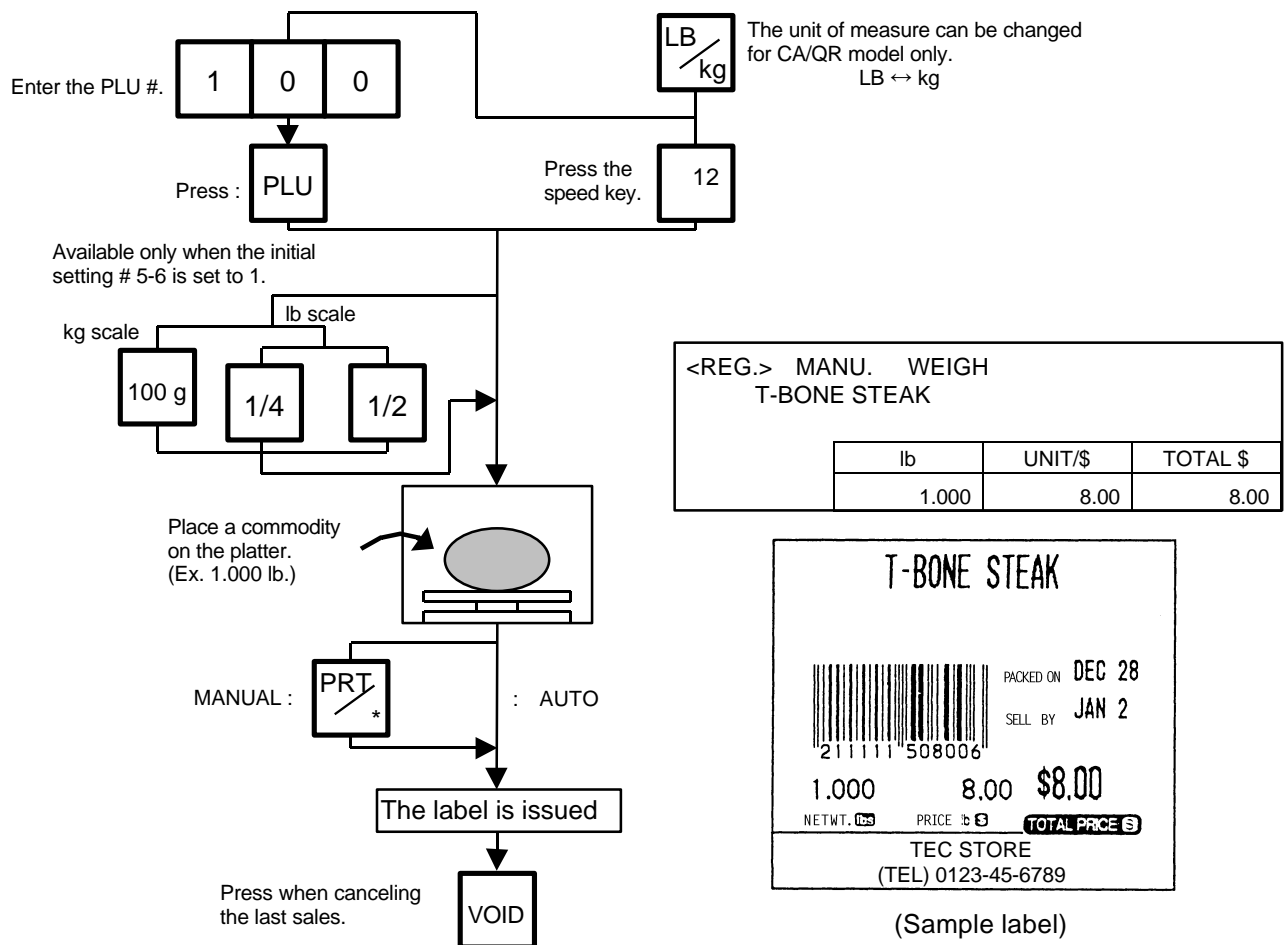
NOTE: If a label nothing is printed on is issued after a printed label in batch mode, refer to Section 10.11 and press the **SET NEXT** key.

13.1 WEIGHING OPERATION

Menu: REG., M.DOWN, or REWRAP
 Mode: WEIGH

The weigh mode is used to weigh a commodity and to issue the label. The label contains data such as a weight, unit price (price per weight) and total price (calculated as a result of the weighing operation). The following is a basic operation seen at the sales floor of a store or at a back room where different kinds and weights of commodities are repacked. Pressing the [VOID] key subtracts the last entry from the memory.

Example) When PLU #100 and an unit price of \$8.00 are set in the speed key #12.



NOTES:

1. Pressing a speed key to which no PLU data has been assigned will result in an error. In this case, press the [C] key, then press a speed key to which PLU data has been assigned.
2. To change between AUTO and MANUAL, follow the procedure provided in section 13.9.
3. If a unit price exceeding 4 digits is obtained by multiplying by 2 or 4 (when pressing the [1/2 lb] key or [1/4 lb] key), the unit price will be 0.
4. [100 g] key is available only when the scale is a kg scale or operated on kg base.
5. When the [1/2 lb], [1/4 lb] or [100 g] key is pressed, the unit price does change on the display.
6. When the "compulsory tare" is selected, a tare must be subtracted in a weighing operation, otherwise an error message "TARE REQUIRED" will be displayed when the following operation has been done:
 Manual mode: Pressing the [PRT/*] key.
 Auto mode: Placing a commodity on the platter.
 Floating vendor mode: Pressing the [Vendor] key.
 When a "TARE REQUIRED" is displayed, refer to Section 13.6 to follow the proper weighing procedure.

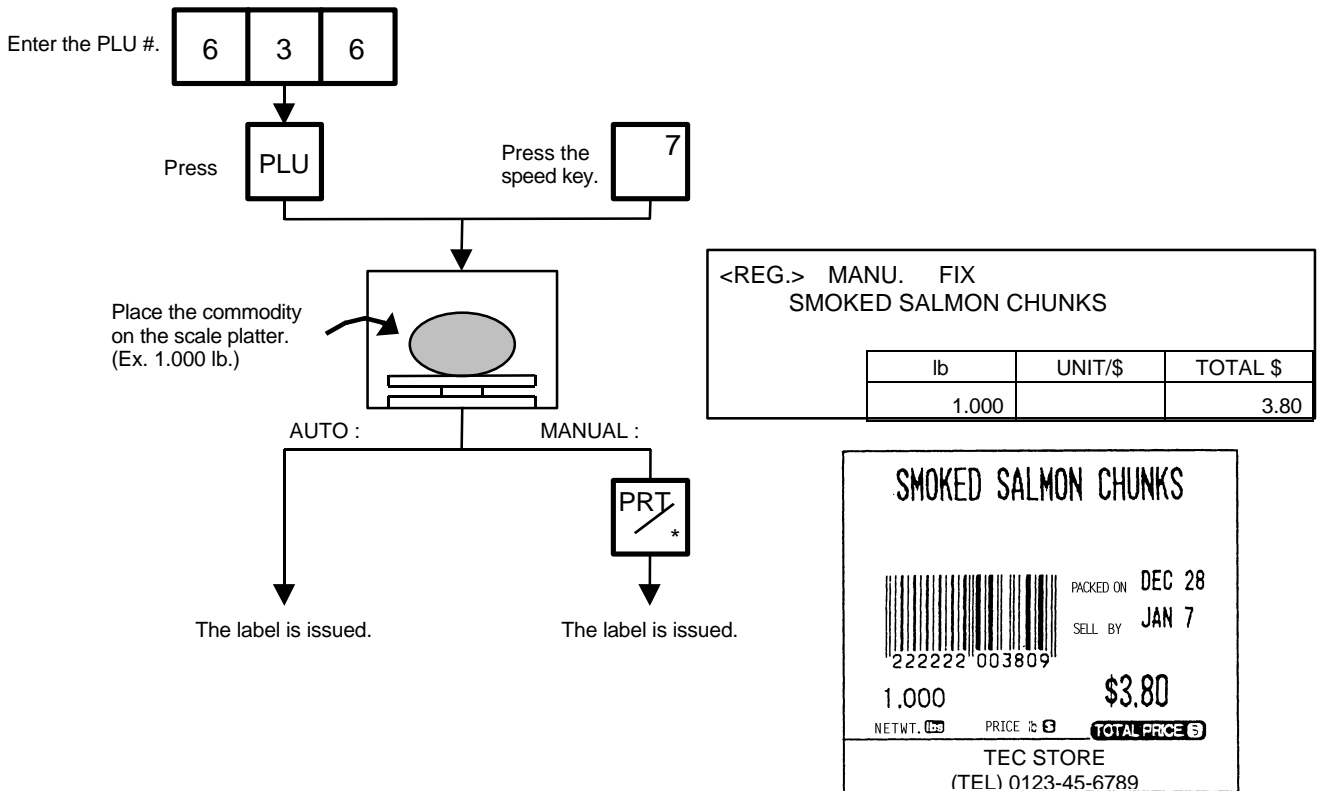
13.2 FIX PRICE OPERATION (FOR US TYPE ONLY)

The FIX mode (Fix Price Mode) is used to issue a label for a commodity of a fixed price PLU (i.e. the price determined by the store), the weight of which may vary from commodity to commodity. In this mode, the Unit Price of the commodity looked up from the PLU file will be printed as the Total Price regardless of its actual weight, and the weight is also printed on the label.

Menu: REG., M.DOWN, or REWRAP

Mode: FIX

Example) In the case of PLU #636 of fixed price \$3.80 which is assigned to speed key #7.



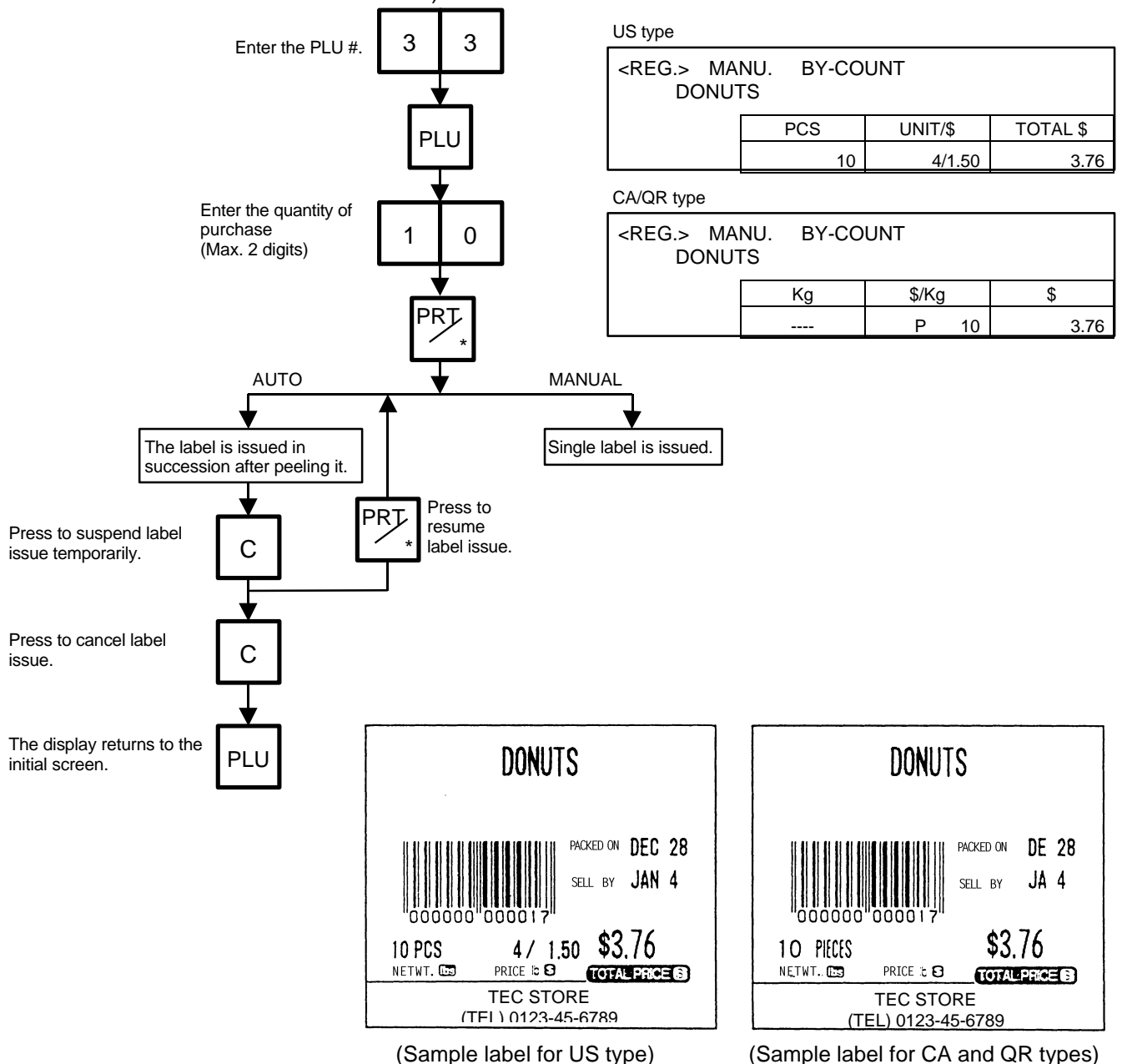
(Sample label)

13.3 BY COUNT OPERATION

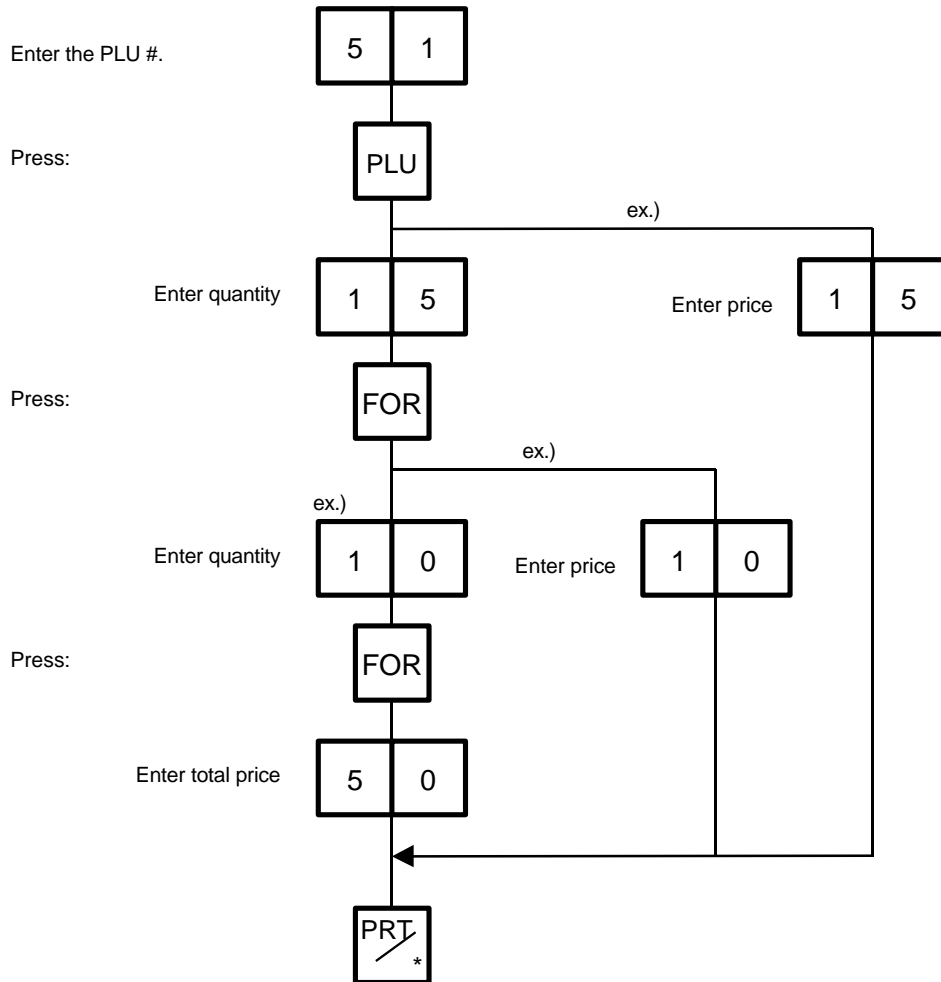
The BY-COUNT mode is used to issue the label of commodities of the same kind in a package (or may not be packed). The whole package quantity (or a certain quantity) and the whole package price (or the price per the quantity) are usually preset. Thus, it is not necessary to weigh the commodities by the scale in such cases.

Menu: REG., M.DOWN, or REWRAP
 Mode: BY-COUNT

Example) In case of sell 10 DONUTS at the price of \$1.50 per 4 DONUTS. (When a price of \$1.50/4 DONUTS is set for PLU #33.)



Example) An open price item can be sold as below:
 1 piece at 15 dollars
 15 pieces at 10 dollars
 15 pieces sold at 0.5 dollars per 10 pieces



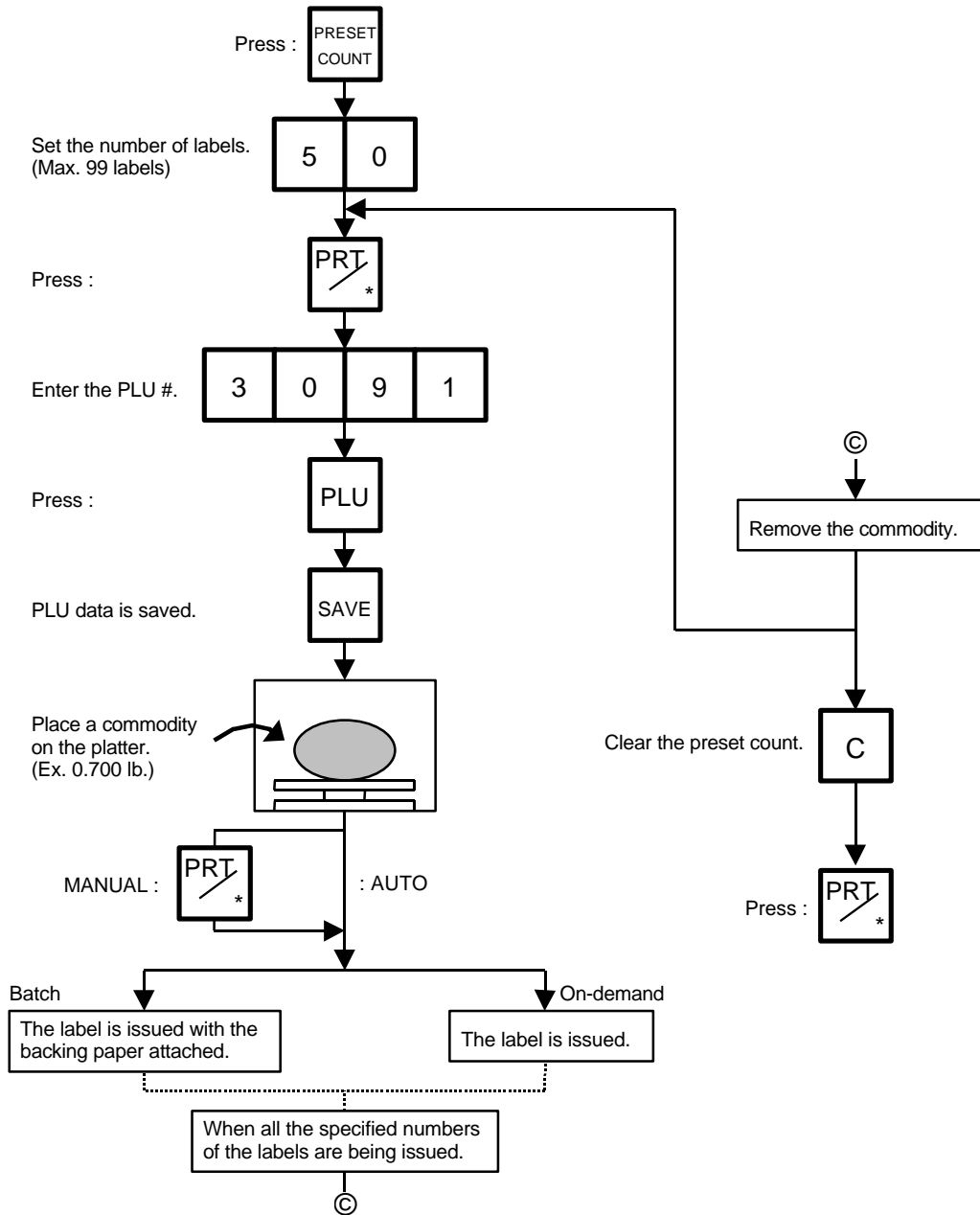
13.4 PRINT COUNT OPERATION

With this procedure, a specified number of the same labels can be issued.

Menu: REG., M.DOWN, or REWRAP

Mode: WEIGH, FIX or BY-COUNT

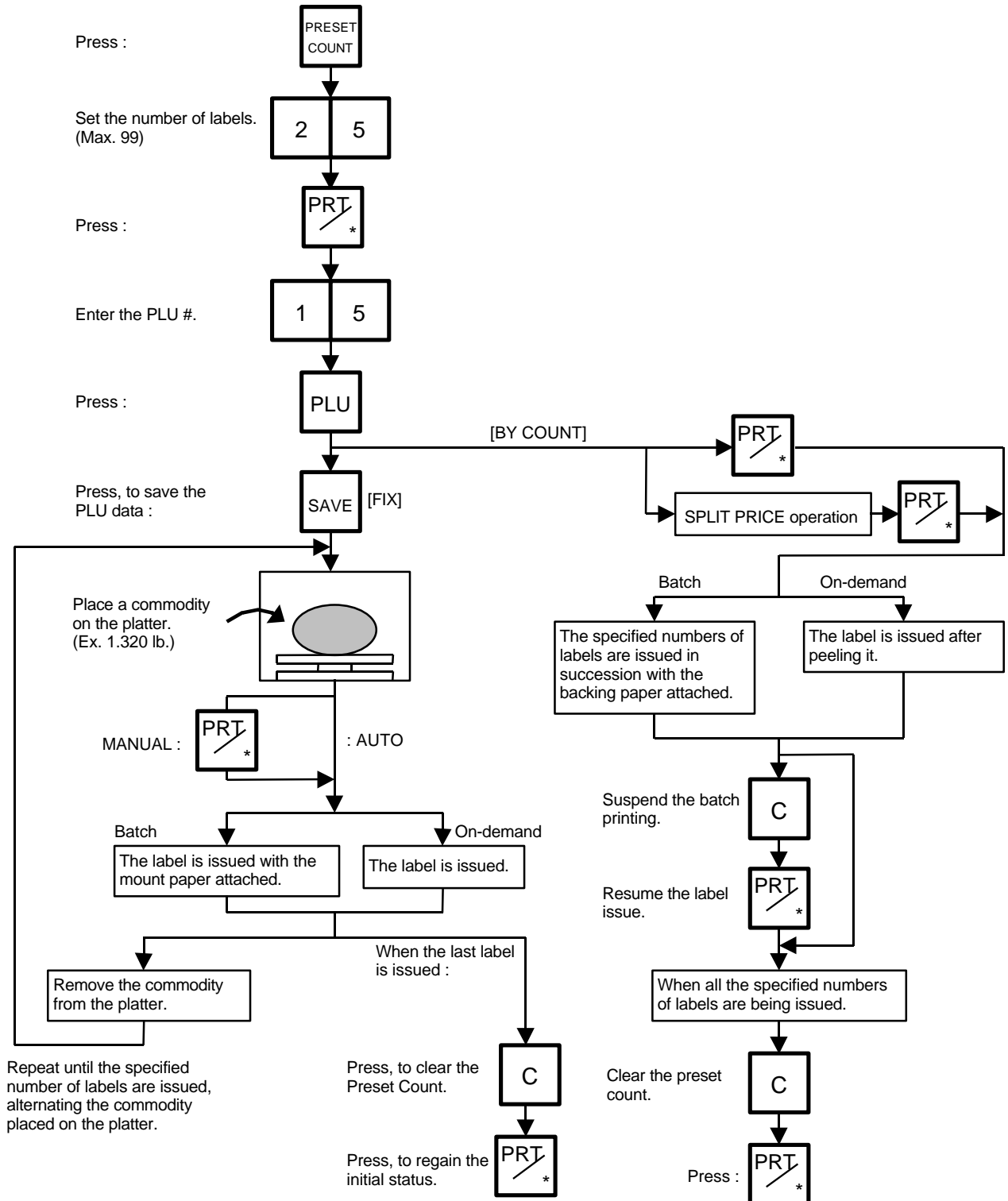
Example A) When operating in Weigh mode.



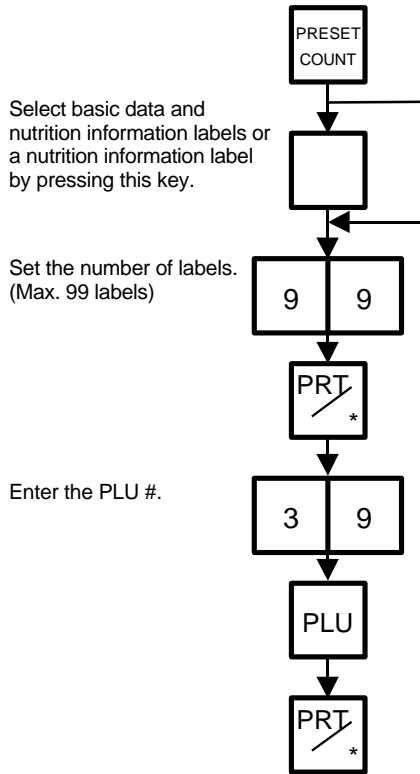
NOTES:

1. A batch issue means to print labels continuously with the backing paper attached. On-demand issue means to print label one by one.
2. To check the remaining number, clear the PLU and press the **PRESET COUNT** key.

Example B) When operating in Fix or By Count mode.



Example C) When issuing only the nutrition information label. Note that nutrition information can be printed only on several types of label. Refer to Page 10-19.



The nutrition information label is issued in the following methods.

Table 8

Issue mode	Manual issue				Auto issue			
	On-demand		Batch		On-demand		Batch	
	Pre=0	Pre>=1	Pre=0	Pre>=1	Pre=0	Pre>=1	Pre=0	Pre>=1
Weigh	1	1	1	1	1	1	1	1
Fix (Weight/price)	1	1	1	1	1	1	1	1
Fix (Net weight)	1	1	1	1	1	1	1	2
By count	1	1	1	1	1	1	1	2

Pre : Preset count

1 : Issue method

After a basic data label is issued, a nutrition information label will be issued.

2 : Issue method

After the specified number of basic data labels are continuously issued, the same number of nutrition information labels will be issued. The number of labels can be specified with the preset count setting.

13. OPERATING PROCEDURES

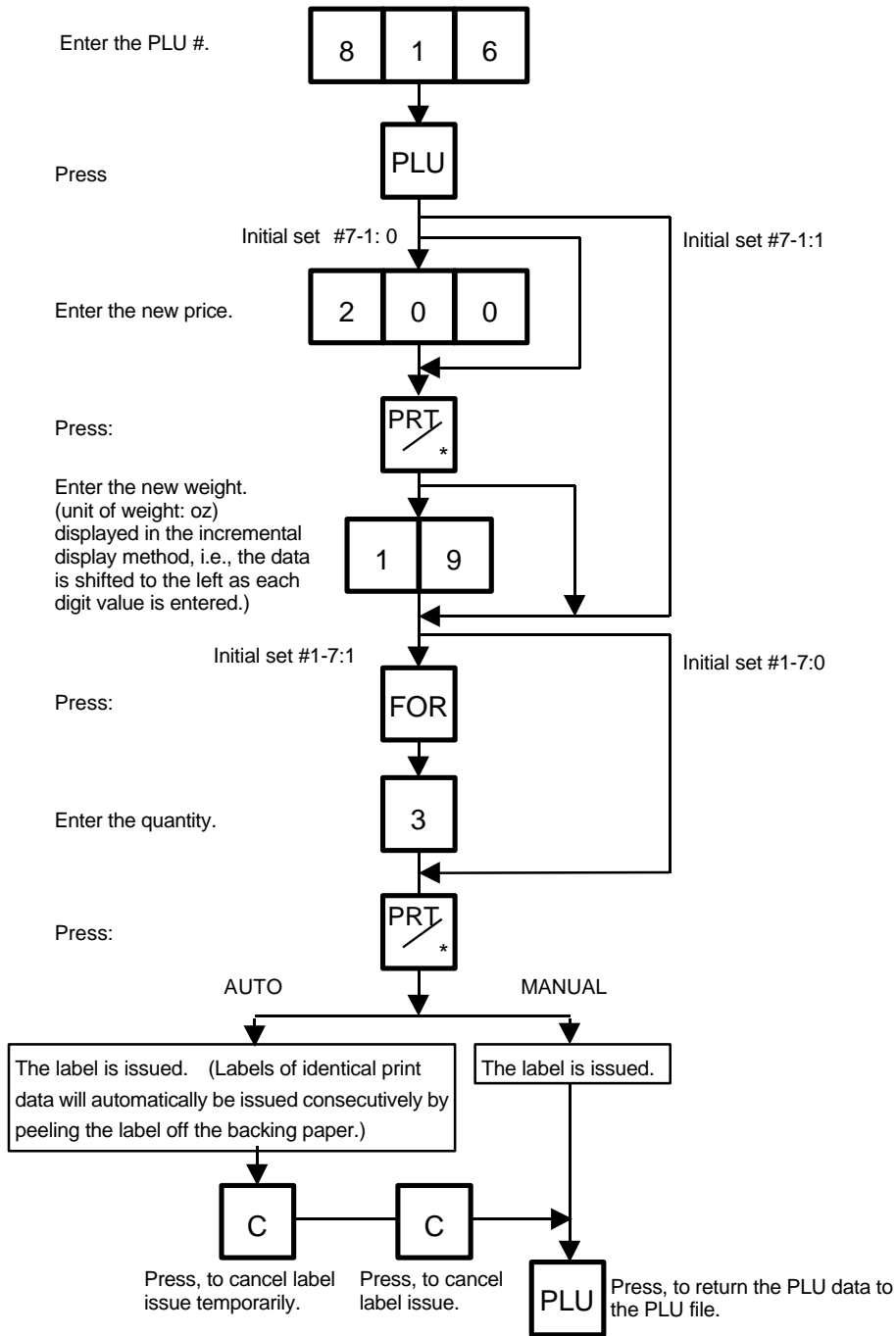
13.5 ISSUING LABELS WITH NET WEIGHT STATEMENT (FOR US TYPE ONLY)

13.5 ISSUING LABELS WITH NET WEIGHT STATEMENT (FOR US TYPE ONLY)

Menu: REG., M.DOWN, or REWRAP
 Mode: FIX

When the initial settings #1-7 and #1-8 are set to 1, a Net Weight Statement is printed on the label.
 A unit price and a tare registered in each PLU are printed as a price and a net weight.

Example) The preset price is \$2.10 and the preset Net Weight is 12 oz. The store knows that the actual Net Weight of this commodity is 19 oz. and decides to sell it at \$2.00.

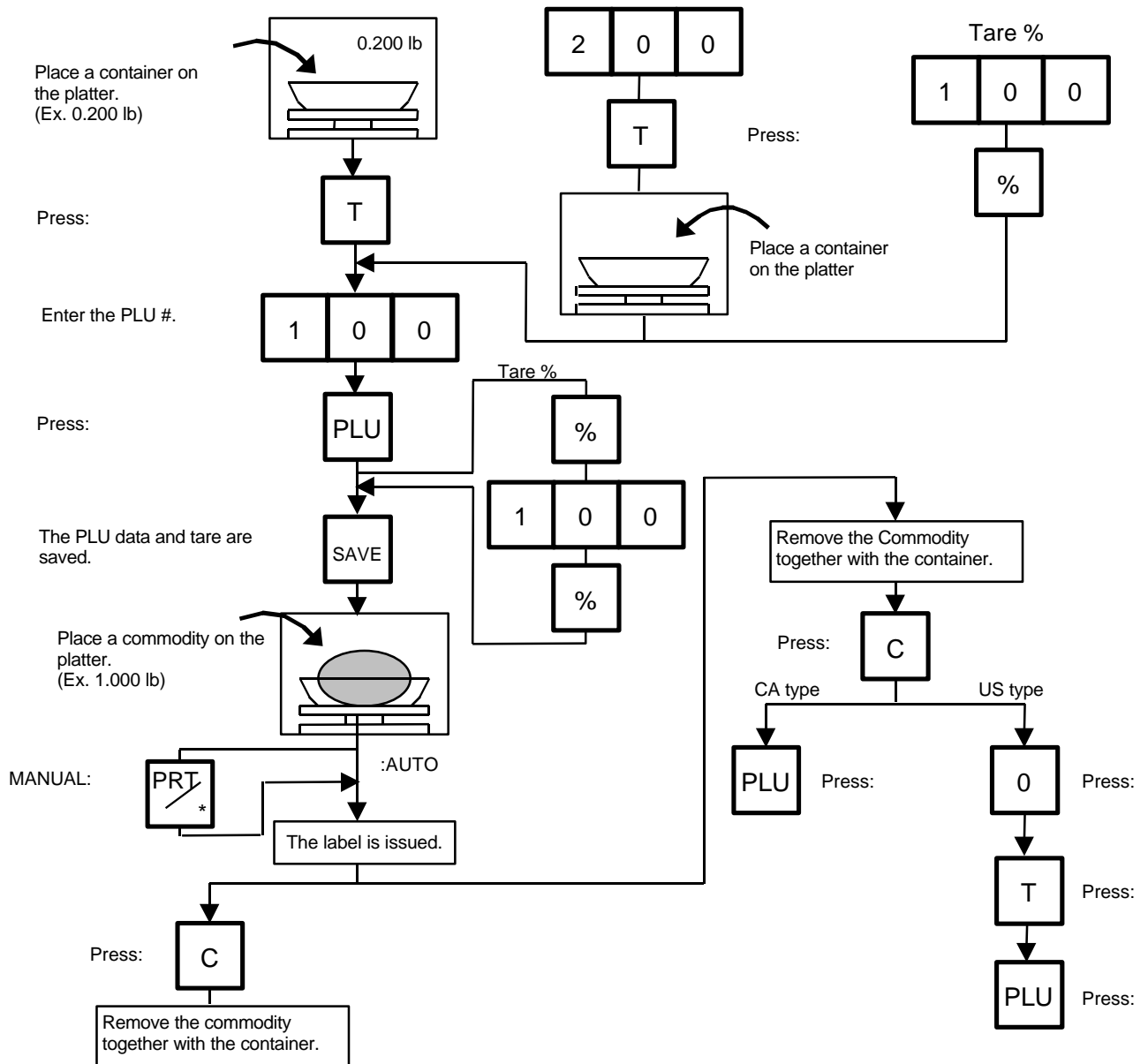


13.6 TARE/SAVE FUNCTION PROCEDURES

Menu: REG., M.DOWN, or REWRAP

Mode: WEIGH or FIX (Tare % function is available in WEIGH mode only.)

There are two kinds of tare subtraction procedures, one is "Direct tare", the other is "Preset tare". The **SAVE** key is used to save the tare, unit price, and PLU data after taking a commodity from the platter.

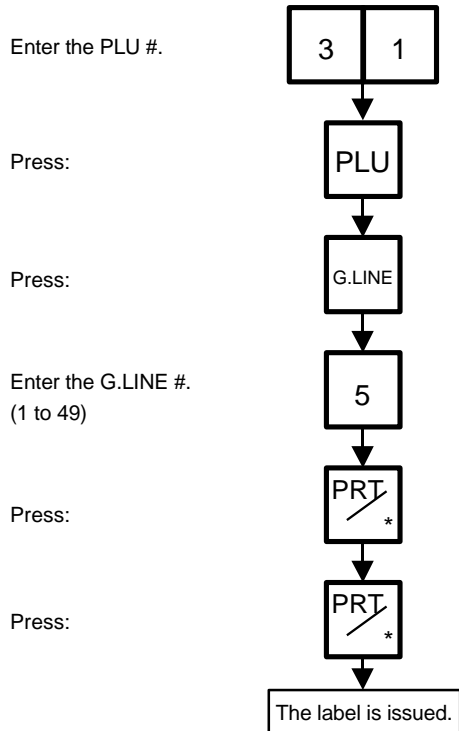


- NOTES:**
1. Tare subtraction is available up to 2.000 lb. for the US type, and up to 1.000kg (2.205lb) for the CA/QR type. When tare subtraction is in operation, however, the scalable range for net weight becomes less by the amount of the tare. (**Net weight=Gross weight-Tare**)
 2. Preset tare must be a multiple of 2 g for CA/QR type (Kg scale) and a multiple of 0.005 lb for US/CA type (Lb scale).
 3. The tare % function is available when the Initial Setting #8-7 is set to 1 (SL-9000) or #28-4 is set to 1 (SL-9000N). The speed key #108 will function as the % key (Refer to page 5-3). Set a tare % within the range from 0.0 to 99.9.
 4. When a commodity is placed on the platter and the calculated tare exceeds the maximum, a "TARE WEIGH OVER" error will occur.

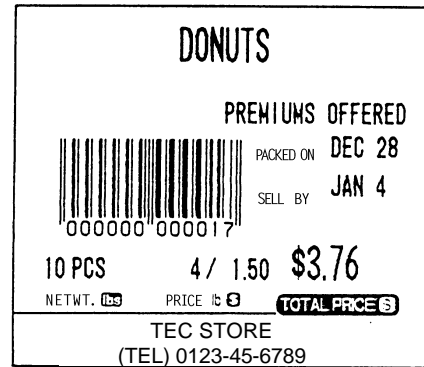
13.7 CALLING AND PRINTING GRADE LINES

A grade line is a short message added to a commodity name.
 A grade line can be selected from maximum of 49 programmed grade lines and printed on the label.

Menu: REG., M.DOWN, or REWRAP
 Mode: WEIGH or FIX, or BY COUNT



<REG.> MANU. BY-COUNT			
DONUTS		Commodity Name	
PREMIUMS OFFERED		Grade Line	
	PCS	UNIT/\$	TOTAL \$
	10	4/1.50	3.76



(Sample label)

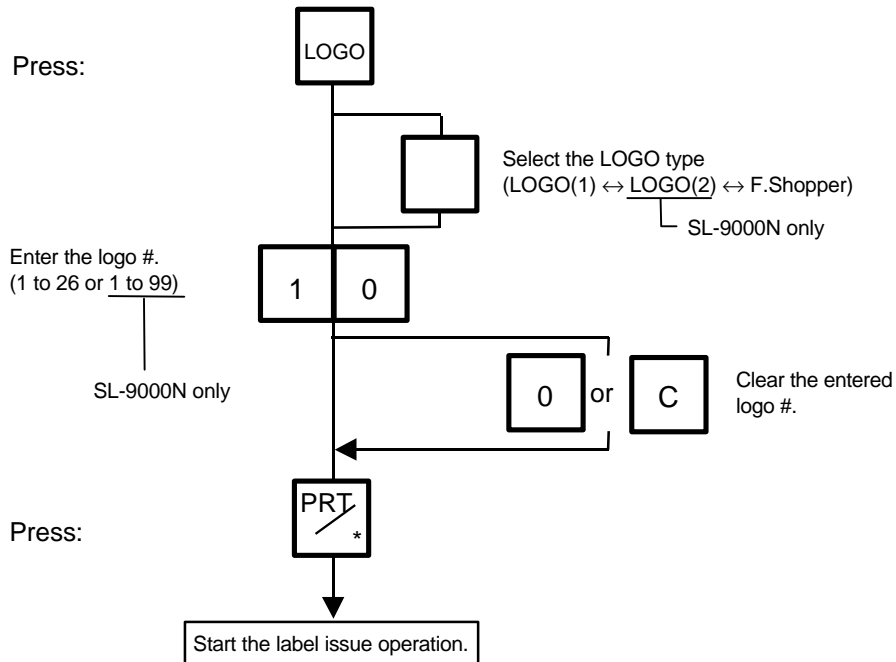
13.8 CALLING AND PRINTING LOGOS

When the initial set #10-7 is set to "1" (or "2": SL-9000N only), a logo containing a picture, a mark, a POP message, etc., can be printed on the ingredient label having 12 lines or more.

Logo data is created on the PC and stored into the memory through the CMT/PL-3 interface.

Menu: REG., M.DOWN, or REWRAP

Mode: WEIGH, FIX, or BY COUNT



NOTES:

1. The logo # will be effective until it is changed or deleted.
(Logo # is still effective after turning power off and/or changing mode.)
2. Pressing the **[PRT/*]** key returns the display to the initial display of Weight mode.
This clears the unit price and tare data.
3. LOGOs will not be printed together with a safe handling instruction on a label.
4. LOGOs will be printed in the center of a label.
5. LOGO # "1 to 26" or "1 to 99" is selectable with the initial setting #10-7. (SL-9000N only)

13.9 SELECTING PRINT ITEM

Menu: REG, M.DOWN, or REWRAP

Mode: WEIGH, FIX, or BY COUNT

Press:

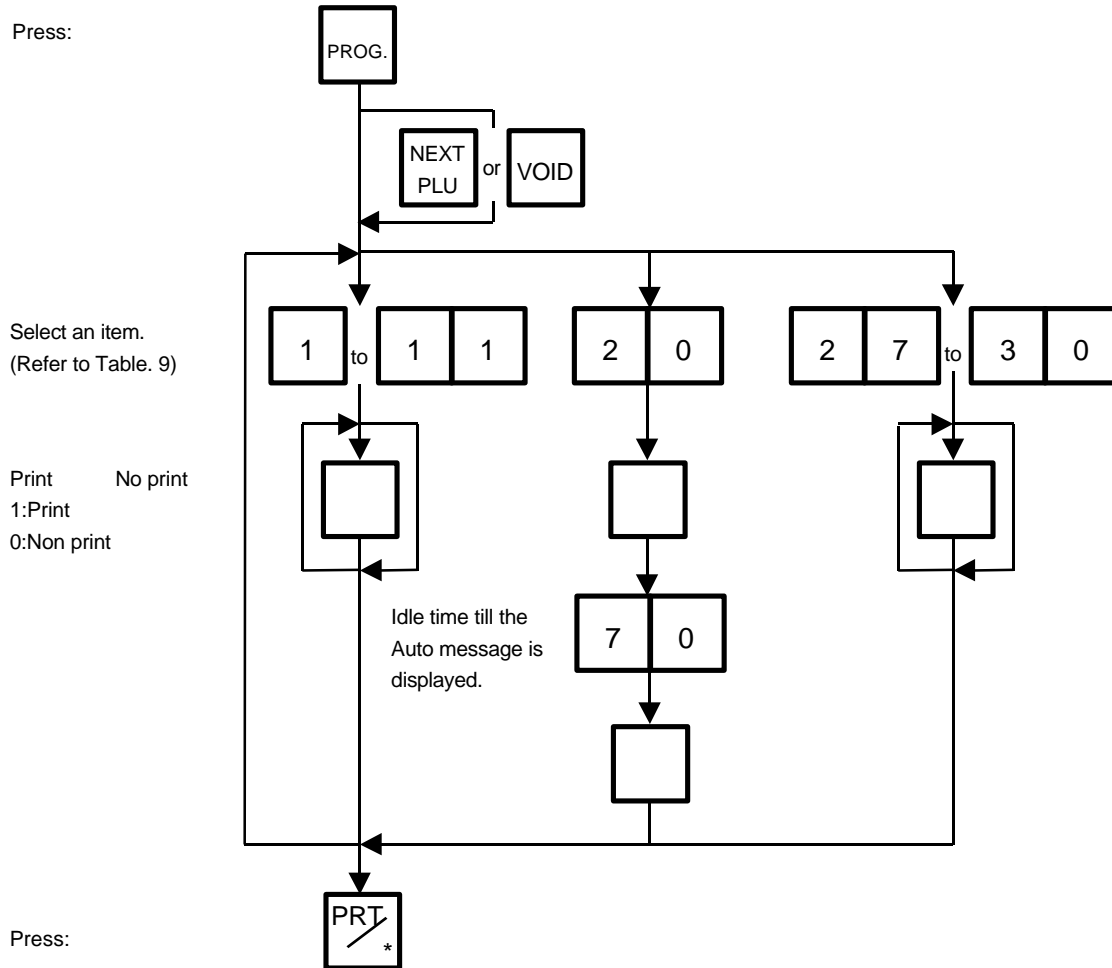


Table 9

Entry	Item	Print/Non Print	Entry	Item	Print/Non Print
1	Packed on date	Print/Non Print	9	Piece count	Print/Non Print
2	Sell by date	Print/Non Print	10	Cooked by date	Print/Non Print
3	Commodity name	Print/Non Print	11	SP/Info./Net Wt.	Print/Non Print
4	Weight	Print/Non Print	20	Auto message timer	0 ~ 99 sec.
5	Unit price	Print/Non Print	27	Media selection	Label/Receipt
6	Total price	Print/Non Print	28	Print format	Format No. Selection
7	Barcode	Print/Non Print	29	Mode (2)	Weight/Fix/By count
8	Ingredient	Print/Non Print	30	Mode (1)	Auto/Manual

NOTES:

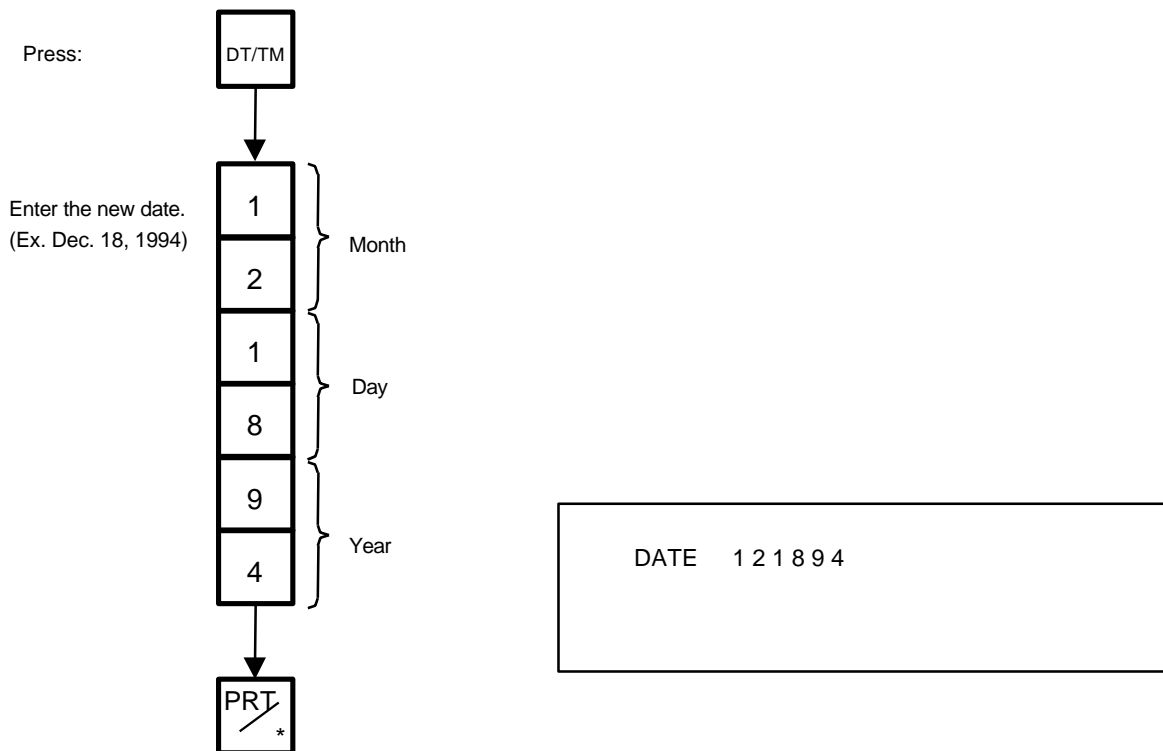
1. A store code can be printed in place of a 'packed on date' and 'sell by date' by changing the initial settings #6-5 and #6-6.
To print a store code, select 'packed on date' or 'sell by date' as a print item using the above procedure.
2. The print of "packed on time" with alphabetical code can be selected with the Initial setting #6-6. (SL-9000N only)
3. Setting data will not be changed by turning the power off, changing the mode or calling a PLU
4. The 0 key has no function.
5. Pressing the C key allows you to return to the step of selecting the 'packed on date'.
6. The range of idle time=0 to 99 seconds. A setting ' 0 ' prohibits display of an auto message.
7. Item 29 is operable only when the initial setting #1-5 is set to '0'.
8. Be sure to press the FEED key after the PRT/* key when changing the label format.

13.10 DATE CHANGE

The date can be changed temporarily.

Menu: REG., M.DOWN, or REWRAP

Mode: WEIGH, FIX, or BY COUNT



NOTE: The scale will check the details of the date input. An invalid date will result in an error.

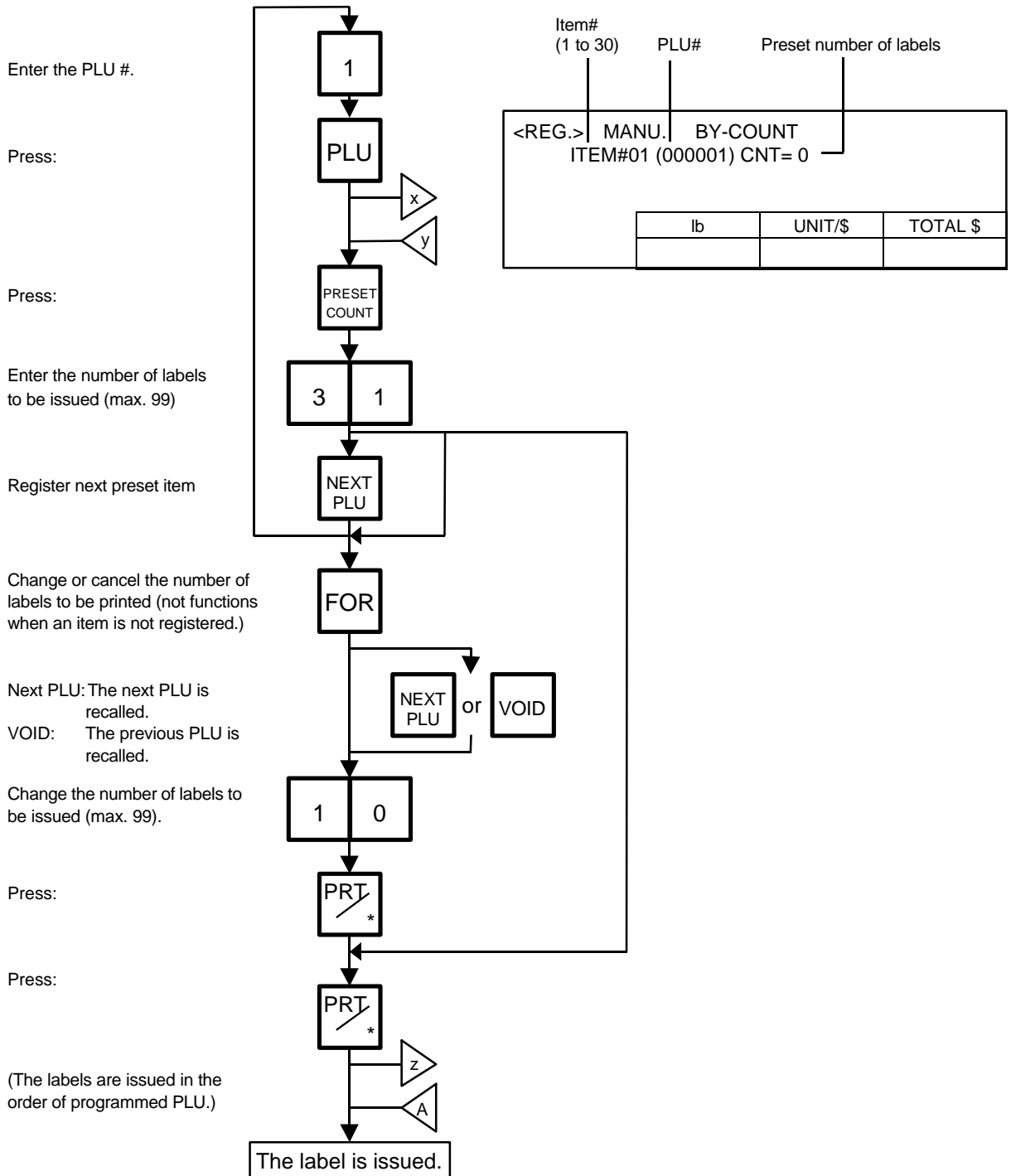
13. OPERATING PROCEDURES

13.11 BATCH PRINT MODE (with 30 Items Run Assignment)

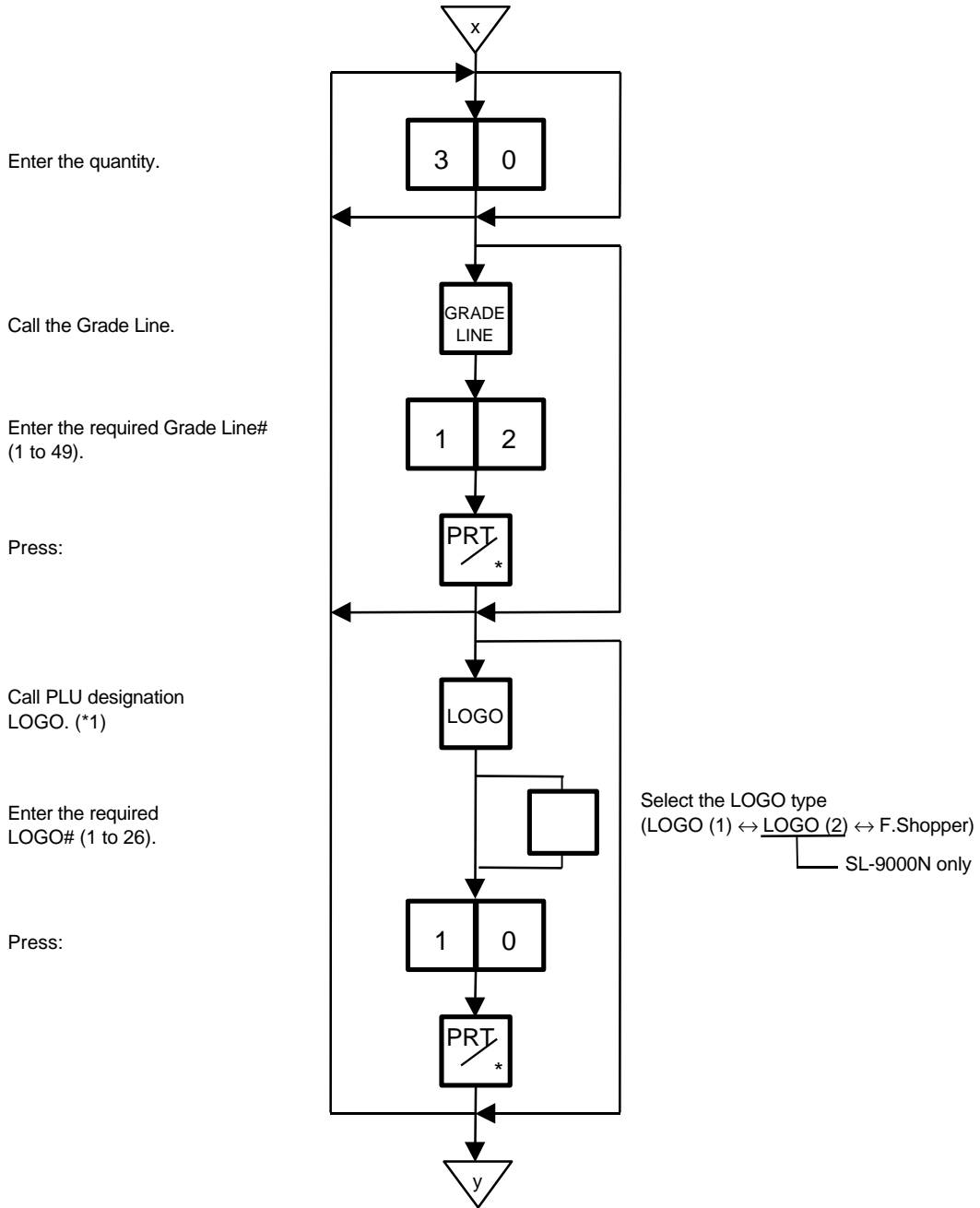
13.11 BATCH PRINT MODE (with 30 Items Run Assignment)

Menu: REG., M.DOWN, or REWRAP
 Mode: FIX, or BY COUNT

Up to 99 labels per PLU can be issued in non-scale mode. Up to 30 items can be preset. (However, 0 is preset, issuing will be canceled.)

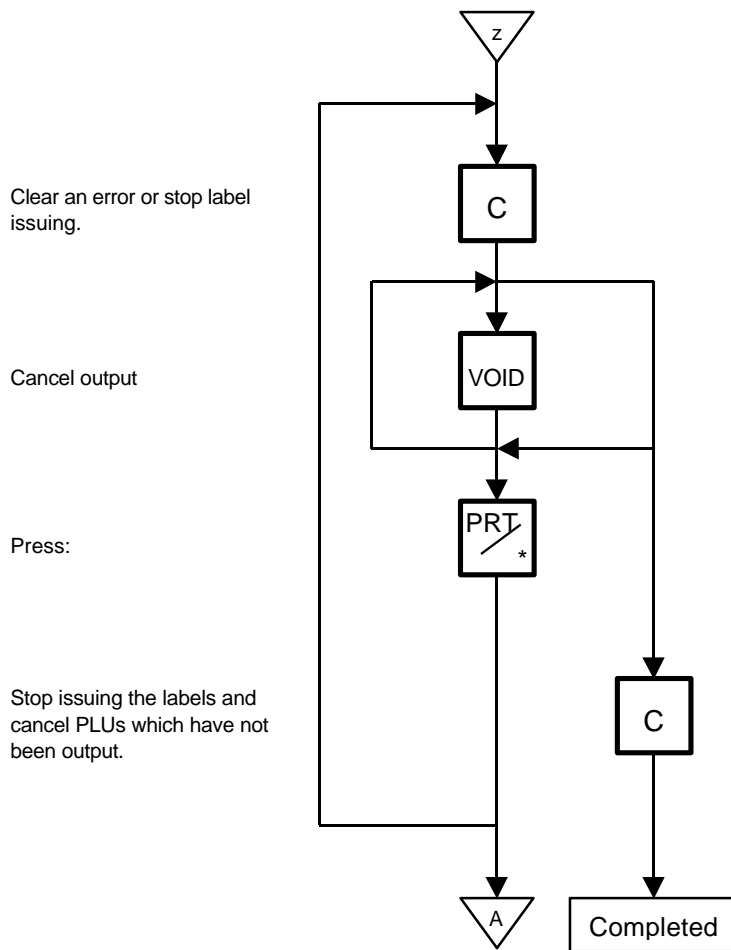


Unit Price Change and G.Line/LOGO Call



*1 By calling the PLU designation LOGO, the LOGO can be designated per PLU and printed. When the PLU dose not designate the LOGO, the LOGO programmed before entering Batch Print Mode is printed.

Label Issue Stop or Cancel



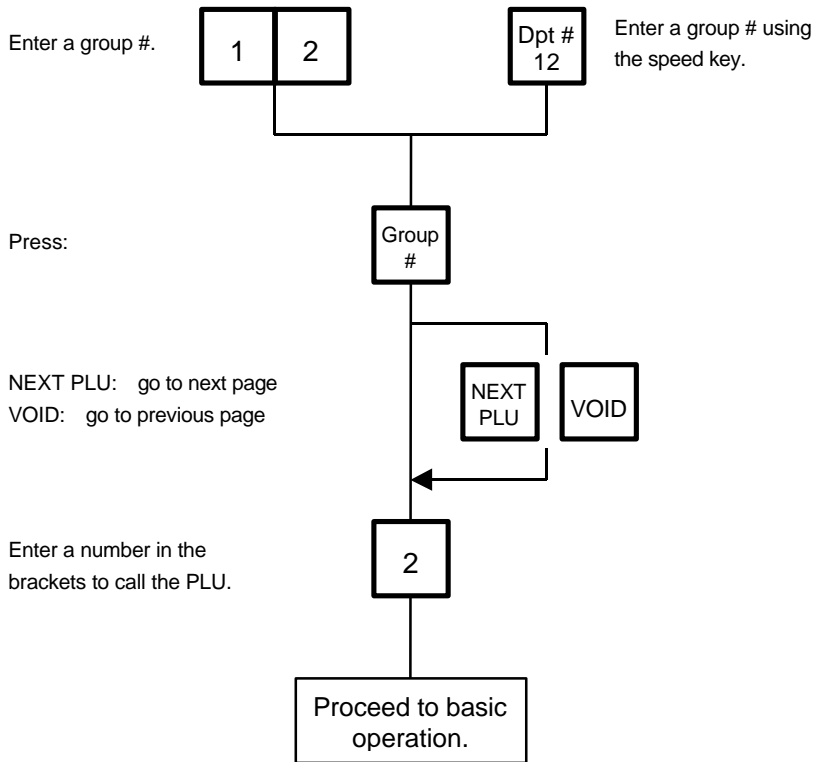
NOTES:

1. When the label for NET.WT statement is not selected, pressing the **PRESET COUNT** key in FIX mode results in an error.
2. Programmed items are reset when:
 - the power is off.*
 - changing the menu. (PROG./REG)*
 - changing the mode. (weight/by count/fix)*
 - batch printing has been finished.*
3. Pressing the **PRESET COUNT** key to preset the 31st item results in an error.
4. The LOGO and Grade Line called per PLU cannot be changed.
5. The label issued in Batch Print Mode cannot be corrected using the **VOID** key.
6. "TOTALS OVERFLOW" error occurs when the **PRINT** key is pressed to issue each PLU label.

13.12 VISUAL COMMODITY LIBRARY

Menu: REG., M.DOWN, or REWRAP
Mode: WEIGH, FIX, or BY COUNT

In the following procedure, entering a group # (the upper two digits of PLU#) allows you to call 6 commodities which belong to the group. This function is convenient when calling a commodity which PLU# you do not know.

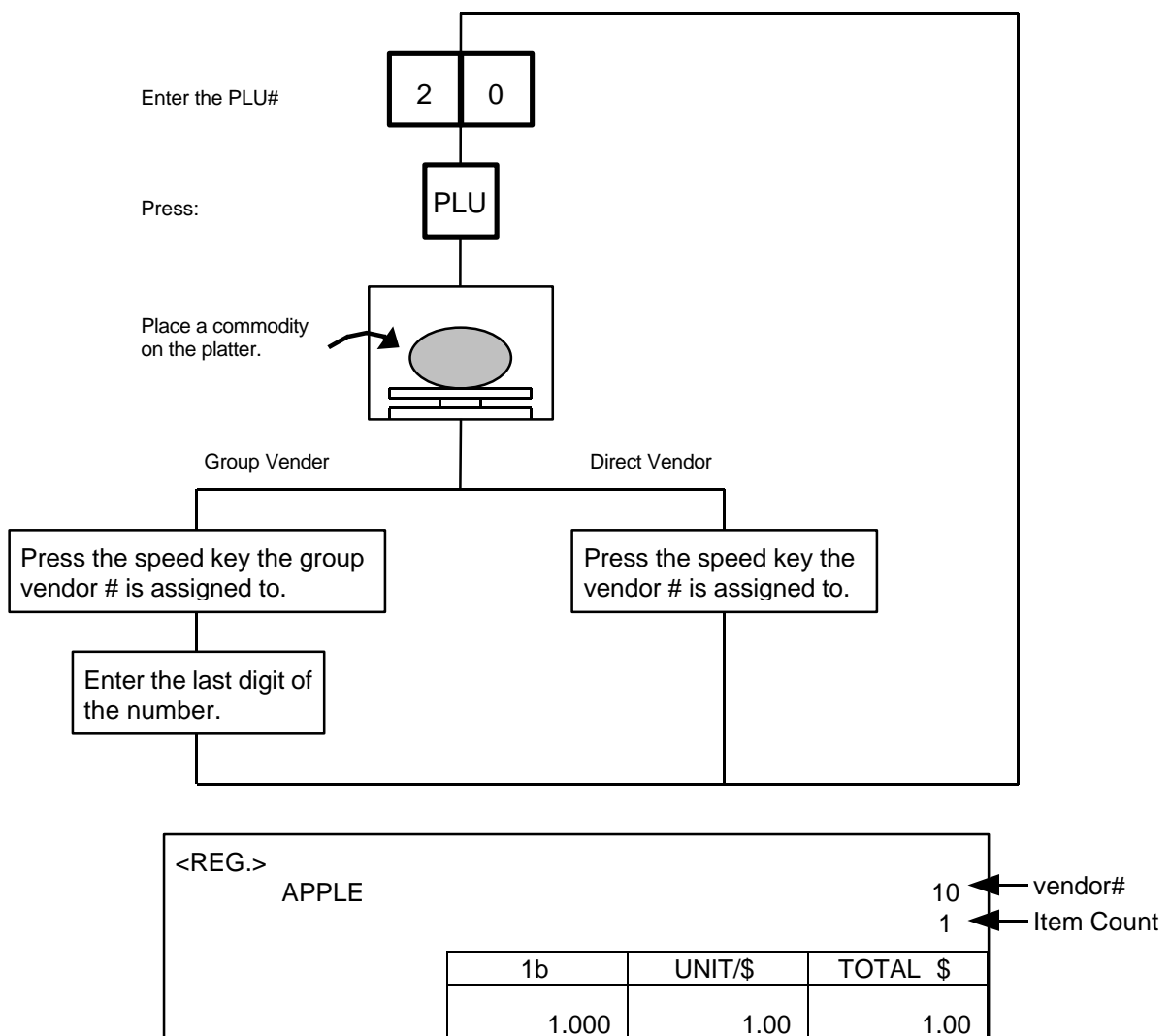


13.13 FLOATING VENDOR

Menu: REG
 Mode: WEIGH, FIX, or BY COUNT

Floating vendor function allows you to register different commodities sales together. This function is available when the Initial Setting #11-1 is set to 1 and using a receipt. Be sure to select IN-LINE in Section 10.15 LON SYSTEM even if no scale is connected, then enter the ID# 1, turn the power off and then on.

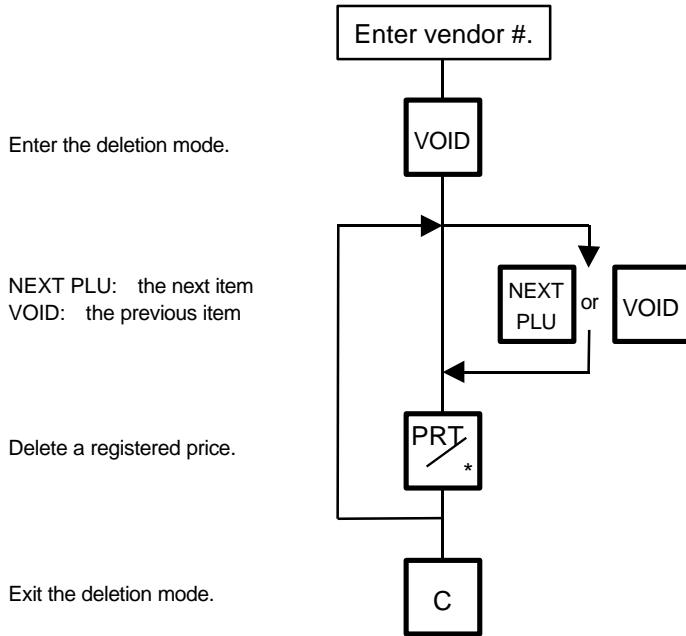
Maximum number of registerable commodities
 One scale: 200 commodities
 One vendor: 99 commodities



NOTE: Print format varies depending on the settings of the Initial Setting #11-1, 11-2, 11-3, 11-4 and 11-7.

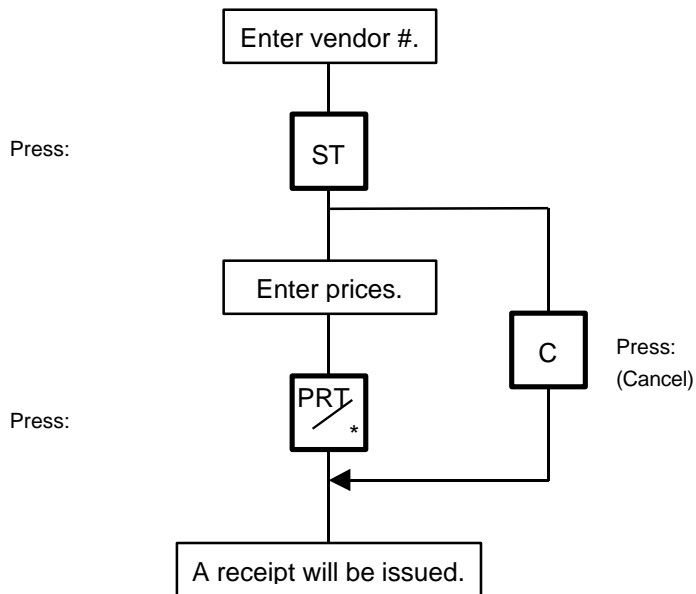
Price deletion

Prices already registered can be deleted in the following procedure.



Subtotal

The following procedure will sum up all of the registered items.



14. TOTAL OPERATION

In Report or Reset mode you can issue a sales report or reset report with either a label or journal paper.

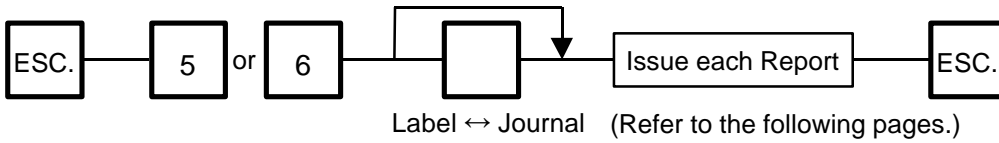
Menu: REPORT or RESET

REPORT

The totals will not be cleared as they are printed on labels or journal paper.

RESET

The totals will be cleared as they are printed on labels or journal paper.



No.	ITEM	REPORT	RESET	JOURNAL	LABEL
0	HOURLY TOTAL				
1	GRAND TOTAL				
2	PLU TOTAL				
3	VENDOR TOTAL				

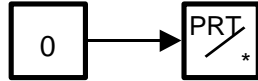
How to access REPORT or RESET menu

The following main menu is displayed after pressing the **ESC.** key. Enter '5' to enter the REPORT menu or '6' to enter the RESET menu. When those menus are protected, enter the menu No. and the password.

<Menu>	
0. PROG.	5. REPORT
1. REG.	6. RESET
2. MARK DOWN	7.
3. REWRAP	8.
4. SECURITY	9.

14.1 HOURLY TOTAL REPORT

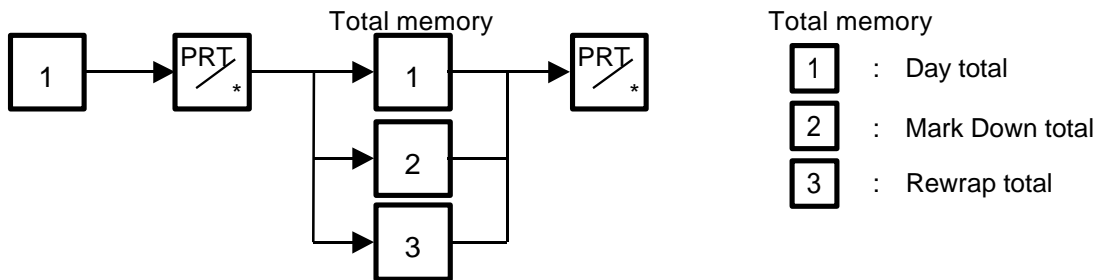
Ex.) REPORT Menu



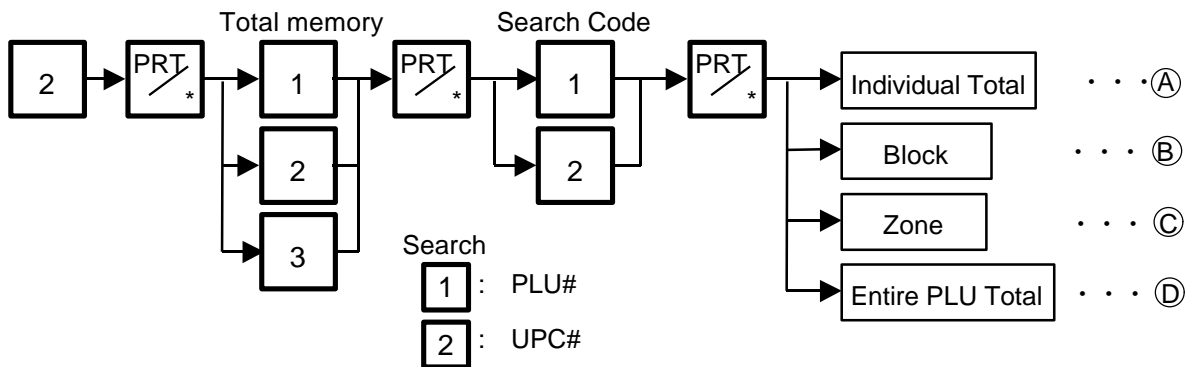
NOTES:

1. When issuing an hourly report, hours with no sales are not printed.
2. An hourly report is printed as follows:
 - 1) Label: Issued sequentially in on-demand mode.
 - 2) Journal paper: Issued with journal paper.
 - 3) Label with backing paper: Issued sequentially in batch mode.
3. If the **C** key is pressed during issuance, the hourly report being printed will complete, then the total report will be issued. If this is done in Reset mode, the print data is cleared to zero.

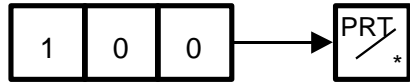
14.2 GRAND TOTAL REPORT



14.3 PLU TOTAL REPORT



- Ⓐ Individual Total
Ex.) Individual PLU Total (PLU #100)

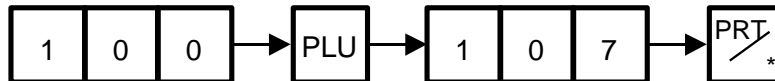


- Ⓑ Block Total
Ex.) UPC Block Total (UPC #100100 to 100199)



NOTE: The key represents 0 through 9. The most significant digit in the starting number is followed by an appropriate number of keys.

- Ⓒ Zone Total
Ex.) PLU Zone Total (PLU #100 to 107)



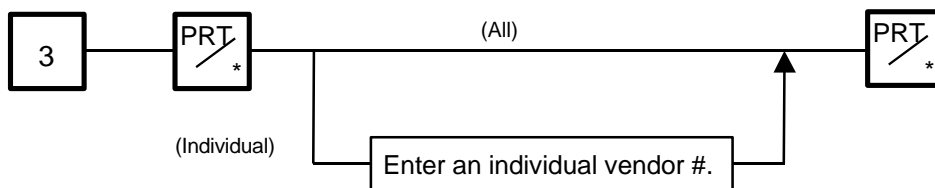
- Ⓓ Entire PLU Total



NOTES:

1. When setting the PLU zone, it is not necessary to enter a beginning number which is smaller than an end number.
2. When issuing a block or a zone total report, a PLU with no sales record is not printed. If all PLUs of the block or zone have no sales record, only the total is printed.
3. Pressing the key in the middle of issuing a reset report stops printing and data is not cleared.

14.4 VENDOR TOTAL REPORT



15. ERROR MESSAGE TABLE

Take the following action if an error message has appeared on the commodity name display along with the buzzer sounding.

WARNING:
<p><i>If you cannot solve the problem with the following solution instruction, do not attempt further trouble shooting, by yourself. Turn the power off, unplug the printer, then contact your Authorized Service representative for assistance. Do not attempt to repair or adjust alone, because electrical equipment is dangerous.</i></p>

Programming Mode

Message	Cause	Solution
DATA ENTRY ERROR	Error in key input.	Press the CLEAR key, and re-input the right data.
MEMORY FULL	No memory space to set PLU.	Press the CLEAR key, and delete unnecessary PLUs.
DUPLICATE PLU	The PLU # being changed is already registered.	Press the CLEAR key, and check the PLU.
PLU NOT FOUND	The PLU # being called out is not registered.	Press the CLEAR key, and set the data to free PLU#.
CHARACTER OVERRUN	Attempt is made to set more than max. allowed number of characters.	Press the CLEAR key, and re-input the right data.
PRT FAILURE DETECTED	Printer trouble.	<ol style="list-style-type: none"> 1. Check that the label and print head are set correctly. 2. If the label home position is misaligned, press the FEED key.
LABEL OVERRUN	Label overruns.	Press the FEED key.
RESTORE THE PLUS	The capacity of RAM was changed with the ingredient data stored.	Press the CLEAR key and save the ingredient data. Then delete the data from the memory of the unit. After that change the capacity of RAM and load the data to the unit.

Label Issue Mode

Message	Cause	Solution
DATA ENTRY ERROR	Error in key input.	Press the C key, and re-input the right data.
PLU NOT FOUND	The PLU # being called out is not registered.	Press the C key, and check the PLU #.
TOTALS OVERFLOW	GRAND TOTAL or PLU TOTAL memory has been exceeded at the time of issuing a label.	Press the C key, then the ESC. key and select 'RESET'. Then sum up the exceeded memory.
MEMORY WILL BE FULLED	The machine judges the memory is full before designated number of media are printed in Batch mode.	Press the C key, then the ESC. key and select 'RESET'. Then sum up the exceeded memory.
PLU DATA ERROR	Error in the PLU data.	Press the C key, and reprogram PLU data.
PRT FAILURE DETECTED	Printer trouble. Media end.	1. Check that the label and print head are set correctly. 2. If the label home position is misaligned, press the FEED key.
LABEL OVER RUN	Label overruns.	Press the FEED key.

Report and Reset Mode

Message	Cause	Solution
PLU NOT FOUND	Corresponding PLU # is not registered.	Press the C key, and enter the correct PLU #.
PRT FAILURE DETECTED	Printer trouble.	Same as in the label issue mode.
LABEL OVER RUN	Label overruns.	Press the FEED key.

CMT Operation Mode

Message	Cause	Solution
MISMATCH SCALE SPEC	Mismatch of the model type.	Press the CLEAR key
	Mismatch of the base unit.	
	Mismatch of the VERSION.	
	Mismatch of the TRANSMITTING DATA.	
	Mismatch of the scale capacity.	
BAD TAPE OR CMT	Parity error	Press the CLEAR key
	Framing error	
	Overrun error	
	Data error	
	Two or More Hardware error	
TIME OUT ERROR	Time out error	Press the CLEAR key.

LON System Mode

Message	Cause	Solution	M	BM/S
COMMUNICATION ERROR	1. The power of the master or backup master scale is not turned ON. They are not connected with each other or in off-line state. 2. LON cable is broken.	1. Turn the power of the master or backup master scale ON. Connect them with each other or turn the scale in-line. 2. Call your authorized service representative.		
SEQUENCE ERROR	The power was not turned OFF and ON again after setting ID #.	Turn the power switch OFF and ON again.		
SEQUENCE NO. ERROR	Text data number is incorrect.	Call your authorized service representative.		
MASTER BUSY	Registration job is performed on a satellite scale while reset job is performed on the master scale.	1. Quit reset job on the master scale. 2. Quit registration job on the satellite scale.		
BACKUP MASTER NOT RESET	The backup master does not have same PLU with the master scale.	Down load PLU from the master to the backup master scale. Then run the reset operation again.		
TEXT ERROR ##	1. Error text is found. 02: Sequence No. error 05: LRC error 08: Text error 09: Command error 2. The master scale differs from other scale in ROM version.	Call your authorized service representative.		

M: Master scale BM: Backup master scale S: Satellite scale

16. CLEANING THE PRINT HEAD

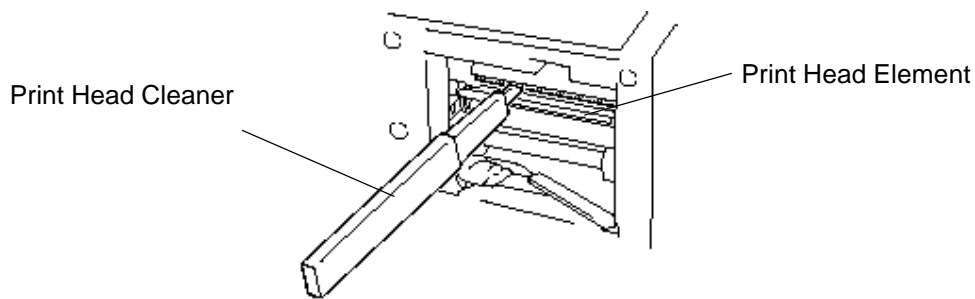
WARNING!

Care must be taken not to injure your fingers with the label cutter during installing, removing or cleaning it.

If the print head is dirty, printing will not be clear. The print head should be cleared with a print head cleaner everyday before use, according to the following procedure:

1. Open the printer cover and turn the head-up lever to the anticlock wise. (See page 8-1)
2. Clean the print head element with the print head cleaner.

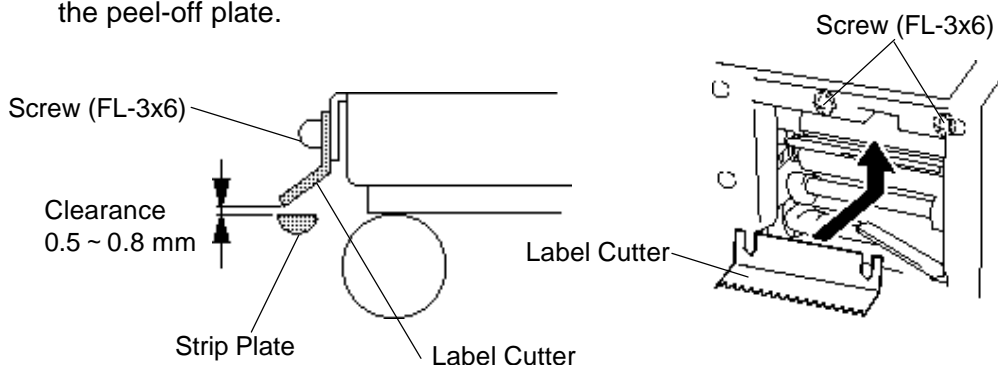
NOTE: Be careful not to damage the print head when cleaning.



3. If any label paste is found on the label cutter, wipe off the paste with alcohol.

After removing the label cutter, reattach it using the following procedure.

1. Remove the receipt/label from the scale.
2. Install the label cutter, aligning the cutter notches with the screw holes.
3. Secure the cutter with the screws (FL-3 × 6) so the bottom of the cutter is 0.5 ~ 0.8 mm above the peel-off plate.



NOTES:

1. If the cutter is scratching labels during printing, increase the clearance between the cutter and the peel-off plate.
2. When the cutter is stained with glue or paper dust, clean it with a cotton swab moistened with alcohol.

17. TROUBLESHOOTING

Problems	Solution
“ - - - - ” is displayed at power on.	Was the power turned ON when something was on the platter? Make sure nothing is on the platter and turn the power on again. Is the platter mounted correctly? Mount the platter correctly and turn the power on again.
Display unstable.	Is anything touching the platter? If so, remove it. Is the machine in a windy location? Avoid locations subject to the wind.
No print.	1. Check that the media is loaded correctly. 2. Check whether the print head is set correctly or not.
Dots missing in the print.	Dirty print head. Clean the print head. Call your Authorized Service representative if necessary.
Unclear (or blurred) printing.	1. Dirty print head. Clean the print head. 2. Poor media quality. Change media type.
Power does not come on.	1. Plug power cord into an AC socket. 2. Check the circuit breakers or fuses. 3. Plug another appliance into the AC socket to check if there is power supplied. Call your Authorized Service representative if necessary.
You see a raised nap where the media has been cut.	1. Clean the cutter blades. 2. The blades are worn. Call your Authorized Service representative.

Before You Call for Service

It is our primary concern to give you full satisfaction and better service. If, however, any problem arises in connection with the operation of this scale, please check the following points before calling for service:

- A) Is the power plug fully plugged into an AC outlet?
- B) Is the power turned ON?
- C) Is AC power being properly supplied to the outlet? (Check it using another electric appliance.)
- D) Check the circuit breaker.
- E) Has there been a power failure of any sort?
- F) Has the operation been carried out in the correct order?

WARNING!

This scale has been manufactured under strict quality control. If you have any trouble, however, DO NOT ATTEMPT TO FIX IT BY YOURSELF. Pull the power plug out of the outlet, and contact your Authorized Service representative.



TEC
TOSHIBA TEC CORPORATION

 PRINTED IN SINGAPORE
EM1-31076E

Free Manuals Download Website

<http://myh66.com>

<http://usermanuals.us>

<http://www.somanuals.com>

<http://www.4manuals.cc>

<http://www.manual-lib.com>

<http://www.404manual.com>

<http://www.luxmanual.com>

<http://aubethermostatmanual.com>

Golf course search by state

<http://golfingnear.com>

Email search by domain

<http://emailbydomain.com>

Auto manuals search

<http://auto.somanuals.com>

TV manuals search

<http://tv.somanuals.com>