

TOSHIBA

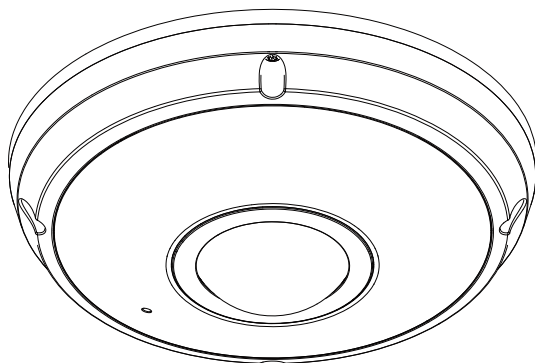
Leading Innovation >>>

NETWORK CAMERA

Model: IK-WF51R

Quick Start Guide and Important Safeguards

This guide describes the hardware installation.



Refer to the user's manual (PDF file) contained in the CD-ROM for settings, operations and other information.

The application Adobe® Reader® is needed to view PDF files. If you do not have this application, download it from the Adobe Systems Incorporated website.

■ <http://www.adobe.com/>

For information on our latest products and peripheral devices, refer to the following Website:

■ <http://www.toshibasecurity.com>

If the URL changes, refer to the Toshiba website (<http://www.toshiba.com>).

FCC (USA)-INFORMATION

NOTE: This equipment has been tested and found to comply with the limits for a Class B digital device, pursuant to Part 15 of the FCC Rules. These limits are designed to provide reasonable protection against harmful interference in a residential installation. This equipment generates, uses and can radiate radio frequency energy and, if not installed and used in accordance with the instructions, may cause harmful interference to radio communications. However, there is no guarantee that interference will not occur in a particular installation. If this equipment does cause harmful interference to radio or television reception, which can be determined by turning the equipment off and on, the user is encouraged to try to correct the interference by one or more of the following measures:

- Reorient or relocate the receiving antenna.
- Increase the separation between the equipment and receiver.
- Connect the equipment into an outlet on a circuit different from that to which the receiver is connected.
- Consult the dealer or an experienced radio/TV technician for help.

USER-INSTALLER CAUTION: Your authority to operate this FCC verified equipment could be voided if you make changes or modifications not expressly approved by the party.

Thank you for purchasing the IK-WF51R Network Camera. Before using the camera, read this quick start guide carefully to ensure correct usage. After reading this quick start guide, save it for future reference.

The design, specifications, software, and quick start guide contents are subject to change without prior notice.

Terms

- The term "OS" is used in this manual to indicate operating systems compatible with this product.

-- Microsoft® Windows® 7 Professional Edition

NOTE

- The performance of the network camera may vary depending on the network environment.

Table of Contents

Introduction	2
FCC (USA)-INFORMATION.....	2
Terms	3
Table of Contents.....	4
Important Safeguards.....	5
Important Safeguards (Cont.).....	7
Notes on Use and Installation.....	8
Setting the Network Camera Environment.....	9
Items needed for network camera monitoring.....	9
Contents	10
Physical Description	11
Hardware Installation	13
Network Deployment	18
Assigning IP Address.....	20
Retrieving Images.....	21
Trademarks	22

Important Safeguards

1. Read Instructions

Read all the safety and operating instructions before operating the product.

2. Retain Instructions

Retain the safety instructions and user's manual for future reference.

3. Warnings

Comply with all warnings on the product and in the user's manual.

4. Follow Instructions

Follow all operating and use instructions.

5. Cleaning

Disconnect this camera from the power supply before cleaning.

6. Attachments

Do not use attachments not recommended by the camera manufacturer as they may pose safety risks.

7. Accessories

Do not place this camera on an unstable cart, stand, tripod, bracket or table. The camera may fall, causing serious injury to a person, or serious damage to the product. Use only with stand, tripod, bracket, or table recommended by the manufacturer, or sold with the camera. Any mounting of the product should follow the manufacturer's instructions, and should use a mounting accessory recommended by the manufacturer.

8. Ventilation

This camera should never be placed near or over a radiator or heat register. If this product is placed in a built-in installation, verify that there is proper ventilation so that the camera temperature operates within the recommended temperature range.

9. Power Sources

This camera should be operated only from the type of power source indicated on the information label. If you are not sure of the type of power supply at your location, consult your product dealer.

10. Power-Cord Protection

Power cords should be routed so that they are not likely to be walked on or pinched by items placed upon or against them. Pay particular attention to cords at plugs, screws and the point where they exit the product.

11. Installation

Install this camera on a secure part of the ceiling or wall. If installed on an unsecured location, the camera could fall causing injury and damage.

12. Lightning

For additional protection on this camera during a lightning storm, or when it is left unattended and unused for long periods of time, unplug it from the wall outlet and disconnect the power supply and cable system. This will prevent damage to the camera due to lightning and power-line surges. If lightning occurs, do not touch the unit or any connected cables in order to avoid electric shock.

13. Overloading

Do not overload the power supply or extension cords as this can result in a risk of fire or electric shock.

14. Object and Liquid Entry

Never push objects of any kind into this camera through openings as they may touch dangerous electrical points or short-out parts that could result in a fire or electrical shock. Never intentionally spill liquid of any kind on the camera.

15. Servicing

Do not attempt to service this camera yourself as opening or removing covers may expose you to dangerous electrical or other hazards. Refer all servicing to qualified service personnel.

16. Damage Requiring Service

Disconnect this camera from the power supply and refer servicing to qualified service personnel under the following conditions.

- a. When the power-supply cord or plug is damaged.
- b. If liquid has been spilled, or objects have fallen into the camera.
- c. If the camera has been submerged in water.
- d. If the camera does not operate normally by following the operating instructions in the user's manual. Adjust only those controls that are covered by the user's manual as an improper adjustment of other controls may result in damage and will often require extensive work by a qualified technician to restore the camera to its normal operation.
- e. If the camera has been dropped or the cabinet has been damaged.
- f. When the camera exhibiting a distinct change in performance which indicates a need for service.
- g. Other trouble.

17. Replacement Parts

When replacing parts, be sure the service technician uses parts specified by the manufacturer or have the same characteristics as the original part. Unauthorized substitutions may result in fire, electric shock or other hazards.

18. Safety Check

Upon completion of any service or repairs to this camera, ask the service technician to perform safety checks to determine that the camera is in proper operating condition.

Important Safeguards (Cont.)

CAUTION TO REDUCE THE RISK OF ELECTRIC SHOCK.
DO NOT REMOVE COVER. NO USER SERVICEABLE PARTS INSIDE. REFER
SERVICING TO QUALIFIED SERVICE PERSONNEL.



The lightning flash with arrowhead symbol, within an equilateral triangle, is intended to alert the user to the presence of uninsulated "dangerous voltage" within the product's enclosure that may be of sufficient magnitude to constitute a risk of electric shock to persons.



The exclamation point within an equilateral triangle is intended to alert the user to the presence of important operating and maintenance (servicing) instructions in the literature accompanying the appliance.

WARNING:

TO REDUCE THE RISK OF FIRE OR
ELECTRIC SHOCK, DO NOT EXPOSE THIS
APPLIANCE TO RAIN OR MOISTURE.

FIELD INSTALLATION MARKING:

WORDED: "THIS INSTALLATION SHOULD BE MADE BY A QUALIFIED SERVICE
PERSON AND SHOULD CONFORM TO ALL LOCAL CODES."

This product is intended to be supplied by a Listed Power Adapter with LPS, rated PoE 42.5-57Vdc, 0.55-0.41A : 12V DC, 2.1A.

The product is not likely to require connection to an Ethernet network with outside plant routing, including campus environment; and the installation instructions clearly state that the ITE is to be connected only to PoE networks without routing to the outside plant.

Ce produit est conçu pour être alimenté par un adaptateur secteur Listed avec LPS, classé PoE 42.5-57Vdc, 0.55-0.41A : 12V DC, 2.1A.

Le produit ne est pas susceptible de nécessiter une connexion à un réseau Ethernet avec l'extérieur routage des plantes, y compris l'environnement de campus; et les instructions d'installation clairement que l'état ITE doit être raccordé uniquement aux réseaux PoE sans routage vers les installations extérieures.

Notes on Use and Installation

- **Do not aim the camera at the sun**

Never aim the camera at the sun even with the camera power off.

- **Do not shoot intense light**

Intense light such as a spotlight may cause a bloom or smear. A vertical stripe may appear on the screen. However, this is not a malfunction.

- **Treat the camera with care**

Dropping or subjecting the camera to intense vibration may cause it to malfunction.

- **Never touch internal parts**

Do not touch the internal parts of the camera other than the parts specified.

- **Do not submerge in water**

The camera has some protection to water (see IP rating), and can be used indoors or outdoors. If the camera was submerged in water, turn off the power and contact your dealer.

- **Keep the camera installation away from video noise**

If cables are wired near electric lighting wires or a TV set, noise may appear in images. In this event relocate cables or reinstall equipment.

- **Check the ambient temperature and humidity**

Avoid using the camera where the temperature is hotter or colder than the specified operating range. Doing so could affect the internal parts or cause the image quality to deteriorate. Special care is required to use the camera at high temperature and humidity.

- **Should you notice any trouble**

If any trouble occurs while you are using the camera, turn off the power and contact your dealer. If you continue to use the camera when there is something wrong with it, the trouble may get worse and an unpredictable problem may occur.

Setting the Network Camera Environment

Items needed for network camera monitoring

● Administrator's personal computer

The personal computer that allows setting, operating, monitoring and other functions with the network camera is called the "administrator's personal computer" in this guide.

* The personal computer for viewing monitored images is called the "user's personal computer" in this quick start guide. The network camera can be viewed by more than one personal computer at the same time.

● Recommended personal computer system requirements:

- Windows® 7 professional.
- Internet Explorer® Ver 8.0
- CPU: Intel® Core™ i3 or better
- Memory: 1GB RAM or greater

● Connection equipment such as LAN cables, and switch or router.

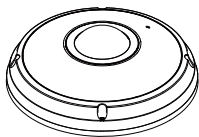
- The LAN cable type differs depending on the connection method.

● Camera search application "Installation Wizard"

- Install this application from the CD-ROM supplied as an accessory (Double-click "Setup.exe" in the CD-ROM and install the application by following the onscreen instructions.)
- This application is the tool to discover the IP address of a camera. Using this application, the IP address of a camera can be easily determined.

Contents

- IK-WF51R



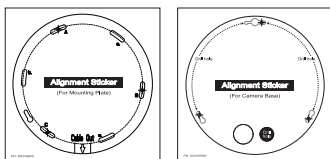
- Power & I/O cable



- CD-ROM



- Alignment Sticker



For Mounting Plate For Camera Base

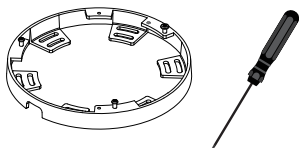
- Warranty Card



- Quick Start Guide and Important Safeguards



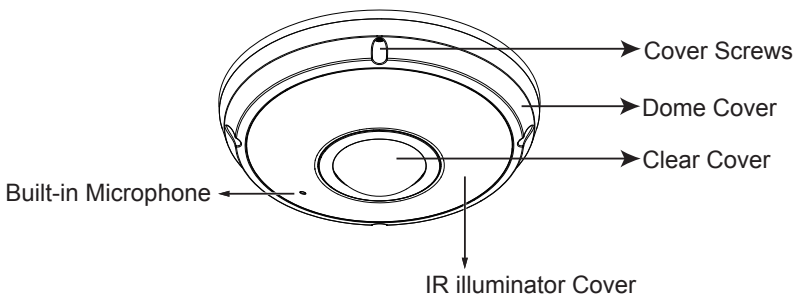
- Mounting Plate / Torx driver



- Gasket / Silica Gel and tape / Rubber Washer / Screws and Anchors

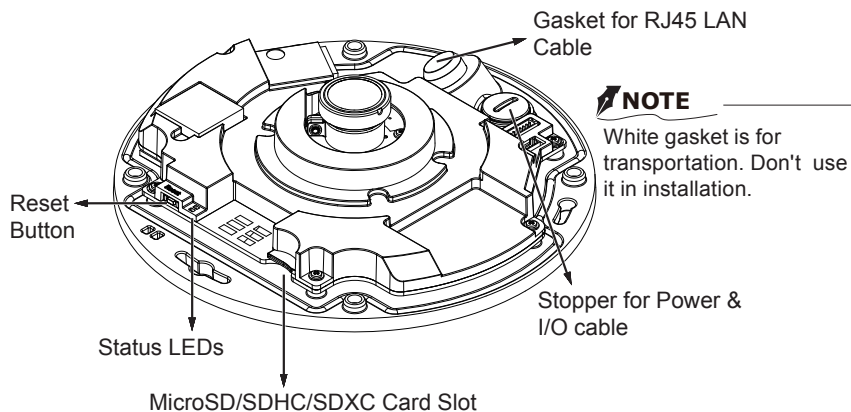
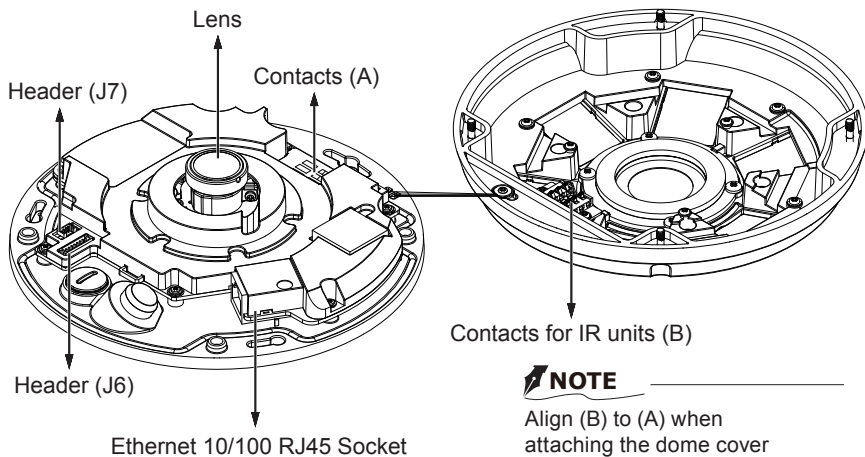


Physical Description



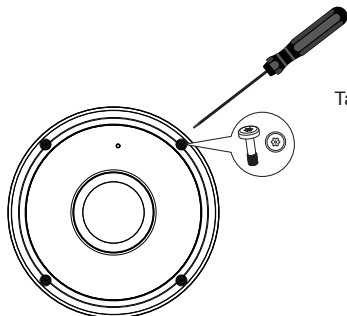
CAMERA MAIN UNIT

● Inner View



Hardware Installation

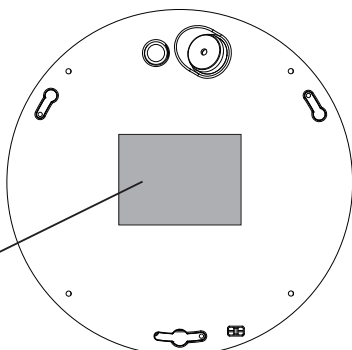
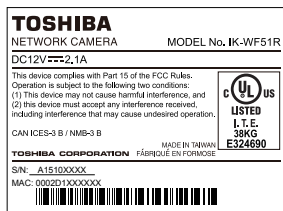
First, use the supplied torx driver to loosen the four screws and detach the dome cover from the camera base. Then, follow the steps below to install the camera to either a ceiling or a wall.



Tamper-proof screws

NOTE

Record the MAC address under the camera base before installing the camera.



Bottom of the camera

Operating environment

12V DC, PoE+(IEEE802.3at) : -30°C ~ +50 °C (- 22°F ~ 122 °F)

PoE(IEEE802.3af): -10 °C ~ +50 °C (14 °F ~ 122 °F)

- The built-in heater does not work with PoE(IEEE802.3af).
- When the camera is installed and operated in low temperatures below -10 °C {14 °F}, normal images may not be obtained immediately after startup. In such a case, wait until the camera warms up (taking more than 1 hour) and start adjustment after turning on the power again.

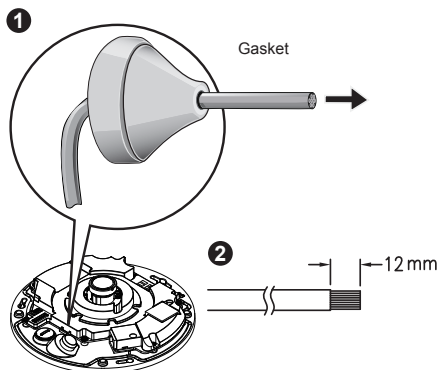
Connecting RJ45 Ethernet Cable

● RJ45 Cable Dimension (unit: mm)

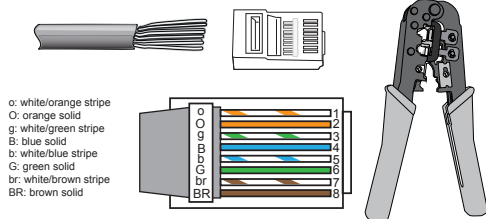
Recommended cable gauge: (0.51 cm)

● Assembly Steps

1. Drill a hole on the supplied gasket and insert a LAN cable through the opening.
2. Strip part of the sheath from the LAN cable.

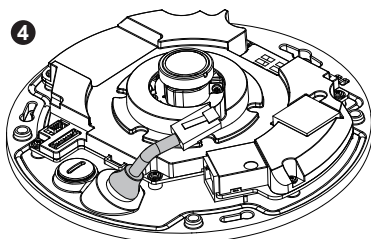


3



3. You will need an RJ45 crimping tool to attach the Ethernet wires to a connector. When done, connect the cable to the camera's Ethernet RJ45 socket.

4



4. Feed the LAN cable from the bottom of the camera base and through the hole. Attach the gasket for water proofing.

NOTE

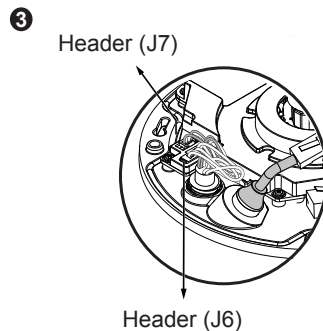
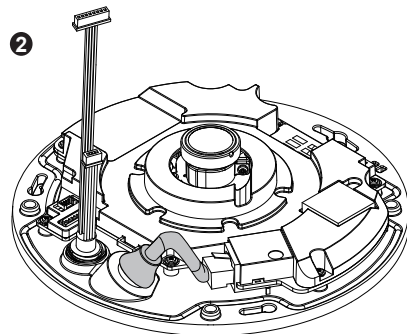
- RJ45 crimping tool and plug are not included.
- Use Category (Cat) 5e or higher cable.

Connecting Power & I/O Cable

1. Add the supplied rubber washer to the cable as shown in the picture.
2. Remove the stopper, and feed the cable from the bottom of the camera base and tighten the plastic base for waterproofing.
3. Connect the white header connectors to J6 and J7 on the camera.

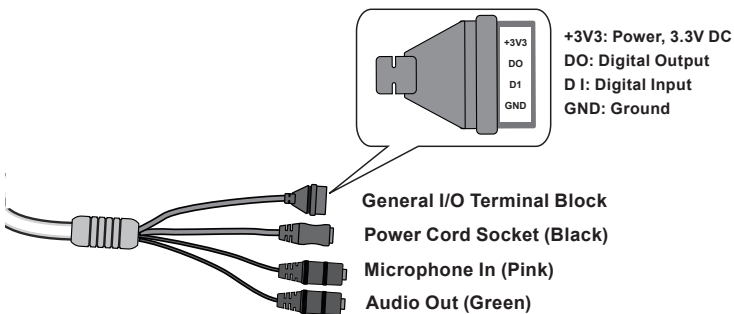
NOTE

Connect the supplied power & IO cables if your switch does not support PoE.



Power and I/O cable terminal

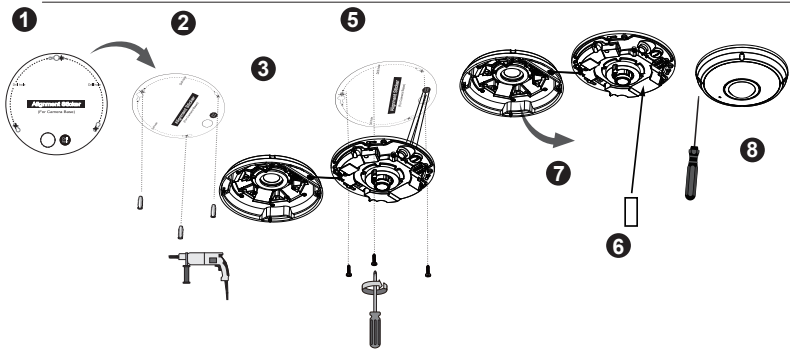
If you have external devices such as sensors and alarms, make the connection from the general I/O terminal block.



Ceiling/Wall Mount without Mounting Plate

(Choose this mounting type if you want to feed the cables from the bottom of the camera)

1. Attach the supplied alignment sticker for camera main unit to the ceiling/wall.
2. Using the three circles on the sticker, drill three pilot holes ($\text{Ø}1/4\text{inch} \times 1.57\text{inch(D)}$ ($\text{Ø}6.35\text{mm} \times 40\text{mm(D)}$)) into the ceiling. Then hammer the three supplied plastic anchors into the holes.
3. Drill a cable hole ($\text{Ø}0.8\text{inch}(\text{Ø}20\text{mm})$) on the ceiling/wall, and feed the cables through the hole.
4. Connect the LAN cable to the socket (Refer to the page 14.).
5. Secure the camera main unit to the ceiling/wall with three supplied screws.
6. You will find a silica gel bag attached to the camera. Replace the silica gel bag included in the camera with the one shipped within the accessory.
7. Attach the dome cover.
8. Secure the four screws with the supplied torx driver. Make sure all camera parts are securely installed.



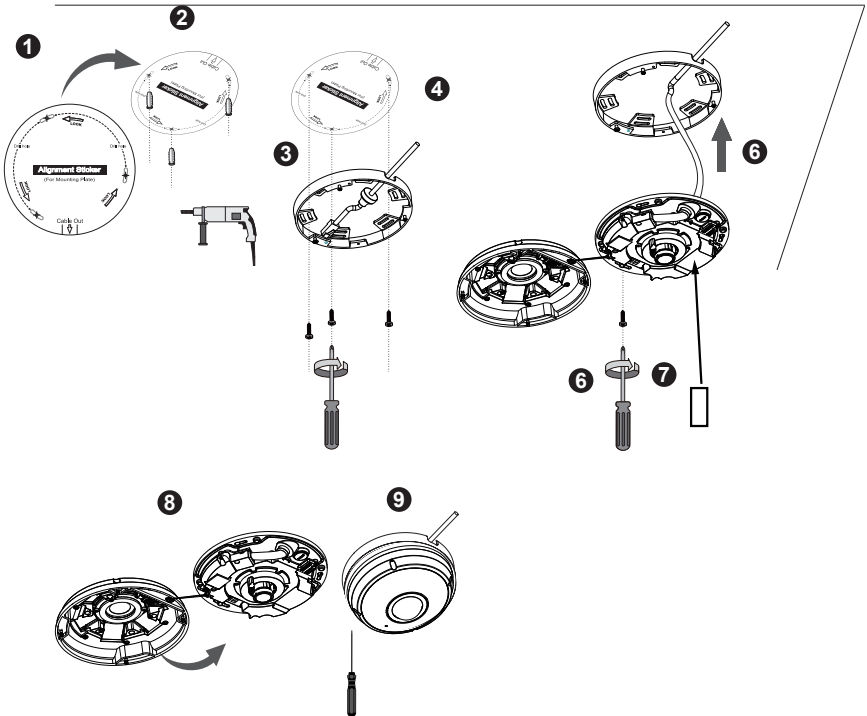
NOTE

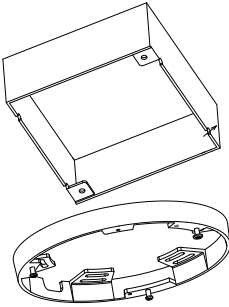
- The included screws and anchors are used to install the camera to a solid surface. (e.g. concrete)
If installing on loose or thin material surfaces, use the appropriate anchors (not included) with the screws.
- Arrange the cables neatly to avoid getting in the way when the dome cover is attached.

Ceiling/Wall Mount with Mounting Plate

(Choose this mounting type if you would like to feed the cables from the side)

1. Attach the supplied alignment sticker for the supplied mounting plate to the ceiling/wall.
2. Using the three circles on the sticker, drill three pilot holes ($\text{Ø}1/4\text{inch} \times 1.57\text{inch(D)}$) ($\text{Ø}6.35\text{mm} \times 40\text{mm(D)}$) into the ceiling. Then hammer the three supplied plastic anchors into the holes.
3. Arrange and feed the cables through the side of the mounting plate.
4. Secure the mounting plate to the ceiling/wall with three supplied screws.
5. Connect the LAN cable to the socket (Refer to the page 14.).
6. Attach the camera main unit to the mounting plate and turn counter-clockwise as shown below. Then secure three screws on the mounting plate and the supplied screw to fix the camera main unit to the mounting plate..
7. You will find a silica gel bag attached to the camera. Replace the silica gel bag with the one shipped within the accessory.
8. Attach the dome cover.
9. Secure the four screws with the supplied torx driver. Make sure all camera parts are securely installed.





You may also use the diagonal holes on the mounting plate, marked as A, B, or C, to install the camera to a U.S. standard 4 in. junction box. And secure the camera with supplied screws.



The supplied torx driver is exclusively designed to match the dome screws. Do not discard the torx driver.



Treat silica gel bag with care. Do not tear the silica gel package.

WARNING:

***Keep the silica gel out of the reach of babies, infants, and children.
DO NOT EAT, HARMFUL IF SWALLOWED***

CAUTION

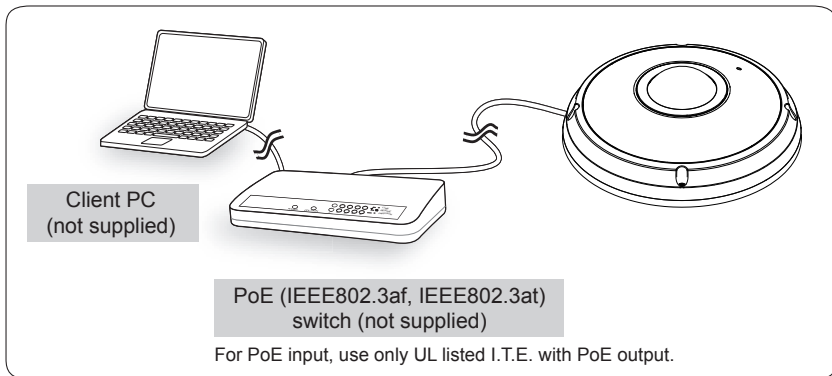
- Installation should be done only by qualified personnel and conform to all local codes.
- Install this camera on a firm and solid part of the ceiling or wall.
If installed improperly or on a weak surface, the camera could fall causing injury and damage.

Network Deployment

Power over Ethernet (PoE)

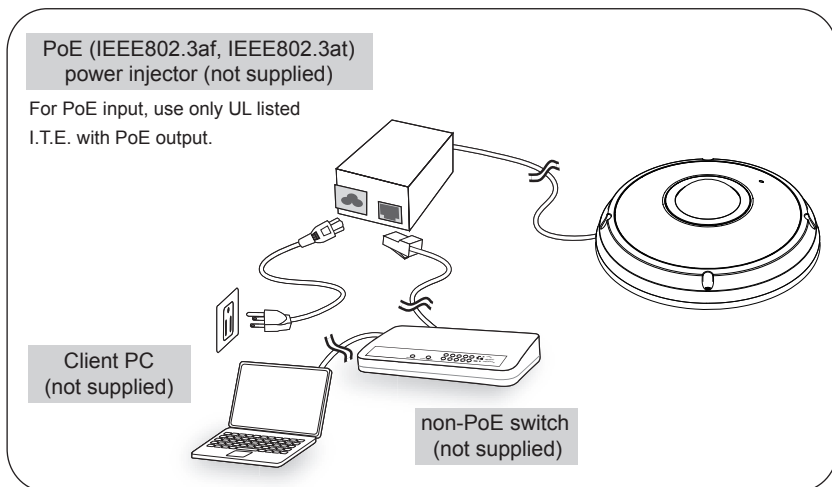
• When using a PoE-enabled switch

The camera is PoE-compliant, allowing transmission of power and data via single LAN cable. See the following illustration to connect the camera to a PoE switch via LAN cable.



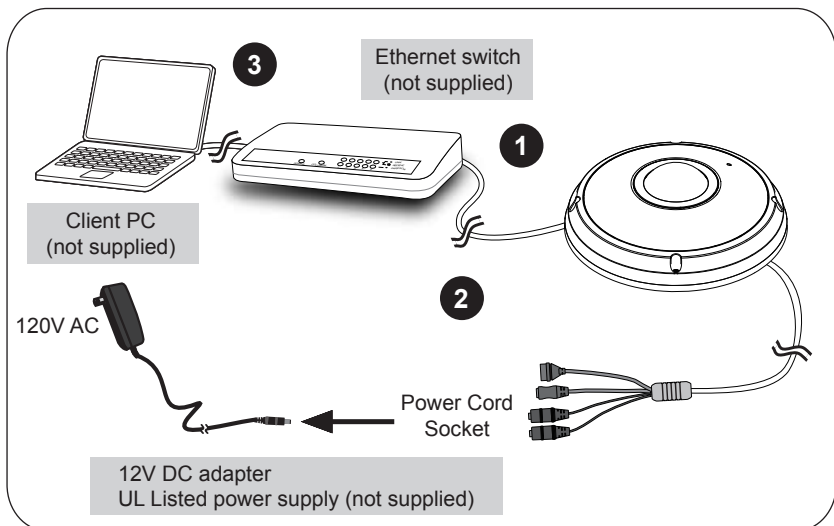
• When using a non-PoE switch

Use a PoE power injector (not supplied) to connect between the camera and a non-PoE switch.



General Connection (without PoE)

1. Connect the camera to an Ethernet switch via LAN cable.
2. Connect the power plug from a 12V DC adapter (not supplied) to the Power cord socket of the Power & I/O cable.
3. Connect the PC to an Ethernet switch via LAN cable.

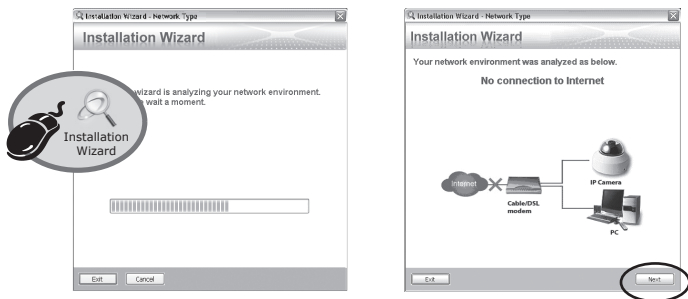


CAUTION

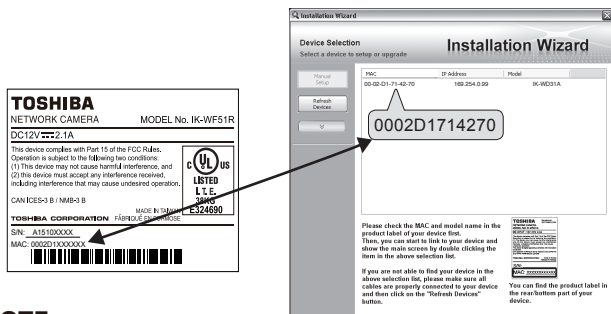
- The recommended DC power supply for this camera is 30 watts.
- When PoE is connected, do not supply 12V DC to the power cord socket.

Assigning IP Address

1. Install the "Installation Wizard" under the Software Utility directory from the CD-ROM.
2. The program will analyze your network environment. After your network is analyzed, please click on the "Next" button to continue the program.



3. The program searches for other Network Cameras on the same network.
4. After searching, the main installer window will pop up. Double click on the MAC address of the appropriate device to connect to the Network Camera.

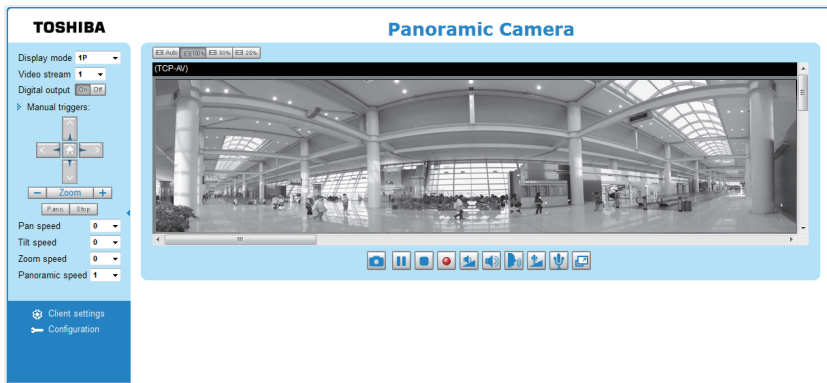


NOTE

- If "Installation Wizard" does not find the camera during the search, try turning off the wireless LAN of a PC.
- Installation Wizard can search the location of the Network Camera even though DHCP is not used on the network. In this scenario, assign the camera a static IP address because the IP address of the Network Camera has been assigned 169.254.*.* by default.

Retrieving Images

1. Access the Network Camera from the network.
2. Retrieve live video through Internet Explorer®.



For more information on camera configuration, please refer to user's manual on the CD-ROM.

Trademarks

- Microsoft, Windows and Internet Explorer are trademarks or registered trademarks of Microsoft Corporation in the United States and other countries.
- Intel and Intel Core are trademarks or registered trademarks of Intel Corporation or its subsidiaries in the United States and other countries.
- Adobe and Reader are either registered trademarks or trademarks of Adobe Systems Incorporated in the United States and/or other countries.
- Other product names appearing in this quick start guide may be trademarks or registered trademarks of their respective holders.

TOSHIBA AMERICA INFORMATION SYSTEMS, INC.

Surveillance & IP Video Products

9740 Irvine Boulevard,

Irvine, CA 92618-1697

Phone Number: (877) 855-1349

625029700G

Free Manuals Download Website

<http://myh66.com>

<http://usermanuals.us>

<http://www.somanuals.com>

<http://www.4manuals.cc>

<http://www.manual-lib.com>

<http://www.404manual.com>

<http://www.luxmanual.com>

<http://aubethermostatmanual.com>

Golf course search by state

<http://golfingnear.com>

Email search by domain

<http://emailbydomain.com>

Auto manuals search

<http://auto.somanuals.com>

TV manuals search

<http://tv.somanuals.com>