

TOSHIBA

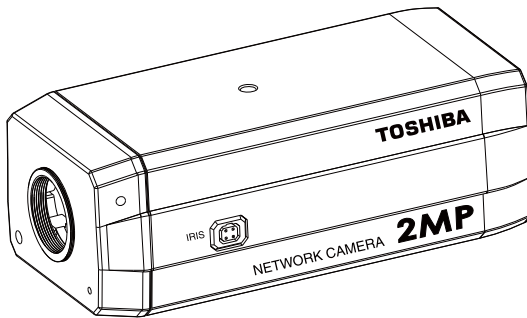
Leading Innovation >>>

NETWORK CAMERA

Model: IK-WB30A

Quick Start Guide and Important Safeguards

This guide describes the hardware installation.



Refer to the user's manual (PDF file) contained in the CD-ROM for settings, operations and other information.

The application Adobe Reader is needed to view PDF files. If you do not have this application, download it from the Adobe Systems Incorporated website.

For information on our latest products and peripheral devices, refer to the following Website:

■ <http://www.toshibasecurity.com>

If the URL changes, refer to the Toshiba website (http://www.toshiba.com/tai/products/prod_biz.jsp).

Introduction

FCC (USA)-INFORMATION

NOTE: This equipment has been tested and found to comply with the limits for a Class B digital device, pursuant to Part 15 of the FCC Rules. These limits are designed to provide reasonable protection against harmful interference in a residential installation. This equipment generates, uses and can radiate radio frequency energy and, if not installed and used in accordance with the instructions, may cause harmful interference to radio communications. However, there is no guarantee that interference will not occur in a particular installation. If this equipment does cause harmful interference to radio or television reception, which can be determined by turning the equipment off and on, the user is encouraged to try to correct the interference by one or more of the following measures:

- Reorient or relocate the receiving antenna.
- Increase the separation between the equipment and receiver.
- Connect the equipment into an outlet on a circuit different from that to which the receiver is connected.
- Consult the dealer or an experienced radio/TV technician for help.

Shielded interface cables must be used in order to comply with emission limits.

USER-INSTALLER CAUTION: Your authority to operate this FCC verified equipment could be voided if you make changes or modifications not expressly approved by the party.

Thank you for purchasing the IK-WB30A Network Camera. Before you start using the camera, read this quick start guide carefully to ensure correct usage. Once you have finished reading this quick start guide, keep it in a convenient place for future reference.

The design, specifications, software, and quick start guide contents are subject to change without prior notice.

Terms and Trademarks

- The term "OS" is used in this manual to indicate operating systems compatible with this product.
 - Windows® XP: Microsoft® Windows® XP operating system
 - Windows Vista®: Microsoft® Windows Vista® Business operating system
- The formal name of Windows® is Microsoft® Windows® Operating System.
- Microsoft®, Windows® and Windows Vista® are trademarks or registered trademarks of Microsoft® Corporation in the United States and other countries.
- Adobe is a registered trademark and Adobe Reader is a trademark of Adobe Systems Incorporated.
- Other product names appearing in this quick start guide may be trademarks or registered trademarks of their respective holders.

NOTE

- The performance of the network camera may vary depending on the network environment.

Table of Contents

Introduction

Introduction.....	2
Terms and Trademarks	3
Table of Contents.....	4
IMPORTANT SAFEGUARDS	5
NOTES ON USE AND INSTALLATION	9
Setting the Network Camera Environment	10
Items needed for network camera monitoring.....	10

Quick Start Guide

Contents	11
Physical Description	12
Hardware Installation.....	13
Network Deployment	14
Assigning IP Address.....	16
Retrieving Images.....	17

IMPORTANT SAFEGUARDS

1. Read Instructions

Read all the safety and operating instructions before operating the product.

2. Retain Instructions

Retain the safety instructions and user's manual for future reference.

3. Warnings

Comply with all warnings on the product and in the user's manual.

4. Follow Instructions

Follow all operating and use instructions.

5. Cleaning

Disconnect this video product from the power supply before cleaning.

6. Attachments

Do not use attachments not recommended by the video product manufacturer as they may pose safety risks.

7. Water and Moisture

Do not use this video product near water. Some examples are: near a bath tub, wash bowl, kitchen sink, or laundry tub, in a wet basement, or near a swimming pool.

8. Accessories

Do not place this video product on an unstable cart, stand, tripod, bracket or table. The video product may fall, causing serious injury to a person, or serious damage to the product. Use only with stand, tripod, bracket, or table recommended by the manufacturer, or sold with the video product. Any mounting of the product should follow the manufacturer's instructions, and should use a mounting accessory recommended by the manufacturer.

9. Ventilation

This video product should never be placed near or over a radiator or heat register. If this product is placed in a built in installation verify that there is proper ventilation so that the camera temperature operates within the recommended temperature range.

IMPORTANT SAFEGUARDS (Cont.)

10. Power Sources

This video product should be operated only from the type of power source indicated on the information label. If you are not sure of the type of power supply at your location, consult your product dealer.

11. Power-Cord Protection

Power cords should be routed so that they are not likely to be walked on or pinched by items placed upon or against them. Pay particular attention to cords at plugs, screws and the point where they exit the product.

12. Installation

Install this video product on a secure part of the ceiling or wall. If installed on an unsecured location, the camera could fall causing injury and damage.

13. Lightning

For additional protection on this video product during a lightning storm, or when it is left unattended and unused for long periods of time, unplug it from the wall outlet and disconnect the power supply and cable system. This will prevent damage to the video product due to lightning and power-line surges. If lightning occurs, do not touch the unit or any connected cables in order to avoid electric shock.

14. Overloading

Do not overload the power supply or extension cords as this can result in a risk of fire or electric shock.

15. Object and Liquid Entry

Never push objects of any kind into this video product through openings as they may touch dangerous electrical points or short-out parts that could result in a fire or electrical shock. Never spill liquid of any kind on the video product.

16. Servicing

Do not attempt to service this video product yourself as opening or removing covers may expose you to dangerous electrical or other hazards. Refer all servicing to qualified service personnel.

17. Damage Requiring Service

Disconnect this video product from the power supply and refer servicing to qualified service personnel under the following conditions.

- a. When the power-supply cord or plug is damaged.
- b. If liquid has been spilled, or objects have fallen into the video product.
- c. If the video product has been submerged in water.
- d. If the video product does not operate normally by following the operating instructions in the user's manual. Adjust only those controls that are covered by the user's manual as an improper adjustment of other controls may result in damage and will often require extensive work by a qualified technician to restore the video product to its normal operation.
- e. If the video product has been dropped or the cabinet has been damaged.
- f. When the video product exhibiting a distinct change in performance which indicates a need for service.

18. Replacement Parts

When replacing parts be sure the service technician uses parts specified by the manufacturer or have the same characteristics as the original part. Unauthorized substitutions may result in fire, electric shock or other hazards.

19. Safety Check

Upon completion of any service or repairs to this video product, ask the service technician to perform safety checks to determine that the video product is in proper operating condition.

IMPORTANT SAFEGUARDS (Cont.)

CAUTION TO REDUCE THE RISK OF ELECTRIC SHOCK.
DO NOT REMOVE COVER. NO USER SERVICEABLE PARTS INSIDE. REFER
SERVICING TO QUALIFIED SERVICE PERSONNEL.



The lightning flash with arrowhead symbol, within an equilateral triangle, is intended to alert the user to the presence of uninsulated "dangerous voltage" within the product's enclosure that may be of sufficient magnitude to constitute a risk of electric shock to persons.



The exclamation point within an equilateral triangle is intended to alert the user to the presence of important operating and maintenance (servicing) instructions in the literature accompanying the appliance.

WARNING:

TO REDUCE THE RISK OF FIRE OR
ELECTRIC SHOCK, DO NOT EXPOSE THIS
APPLIANCE TO RAIN OR MOISTURE.

FIELD INSTALLATION MARKING:

WORDED: "THIS INSTALLATION SHOULD BE MADE BY A QUALIFIED SERVICE
PERSON AND SHOULD CONFORM TO ALL LOCAL CODES."

NOTES ON USE AND INSTALLATION

- **Do not aim the camera at the sun**

Never aim the camera at the sun even with the camera power off.

- **Do not shoot intense light**

Intense light such as a spotlight may cause a bloom or smear. A vertical stripe may appear on the screen. However, this is not a malfunction.

- **Treat the camera with care**

Dropping or subjecting the camera to intense vibration may cause it to malfunction.

- **Never touch internal parts**

Do not touch the internal parts of the camera other than the parts specified.

- **Keep the camera installation away from video noise**

If cables are wired near electric lighting wires or a TV set, noise may appear in images. In this event relocate cables or reinstall equipment.

- **Check the ambient temperature and humidity**

Avoid using the camera where the temperature is hotter or colder than the specified operating range. Doing so could affect the internal parts or cause the image quality to deteriorate. Special care is required to use the camera at high temperature and humidity.

- **Should you notice any trouble**

If any trouble occurs while you are using the camera, turn off the power and contact your dealer. If you continue to use the camera when there is something wrong with it, the trouble may get worse and an unpredictable problem may occur.

Setting the Network Camera Environment

Items needed for network camera monitoring

- **Administrator's personal computer**

The personal computer that allows setting, operating, monitoring and other functions with the network camera is called the "administrator's personal computer" in this guide.

* The personal computer for viewing monitored images is called the "user's personal computer" in this quick start guide. The network camera can be viewed by more than one personal computer at the same time.

- **Recommended personal computer system requirements:**

- Windows® XP, or Vista Business (Windows 7 is due to support in the future.)
- Internet Explorer Ver 7.0 or 8.0
- CPU: Minimum of 2GHz CPU
- Memory: 1GB RAM and 512MB Graphics Adapter

- **Connection equipment such as Ethernet cables, and hub or router.**

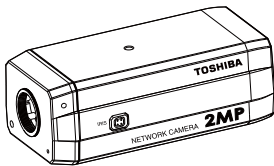
- The LAN cable type differs depending on the connection method.

- **Camera search application "Installation Wizard"**

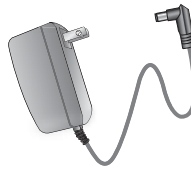
- Install this application from the CD-ROM supplied as an accessory (Double-click "Setup.exe" in the CD-ROM and install the application by following the onscreen instructions.)
- This application is the tool which gets to know the IP address of a camera. If this application is used, the IP address of a camera can be known easily.

Contents

- IK-WB30A



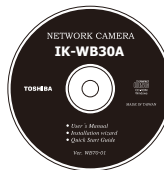
- AC Adapter
Cord length: 72 inches (1828 mm)



- Quick Start Guide and Important Safeguards

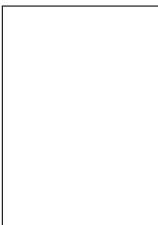


- Software CD



Content:
User's Manual
Quick Installation Guide
Installation Wizard

- Warranty Card

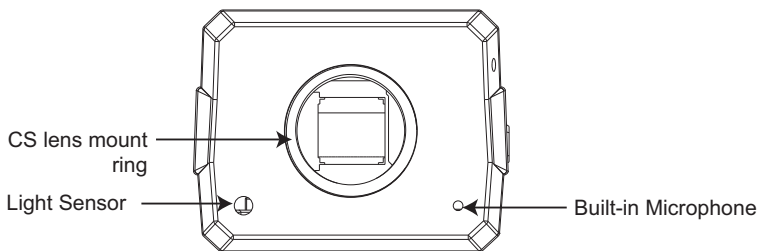


- L-type Wrench
(For securing screw of SD card slot.)

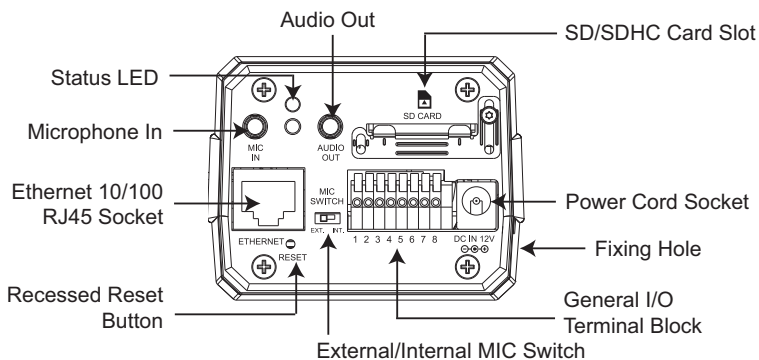


Physical Description

● Front Panel



● Back Panel



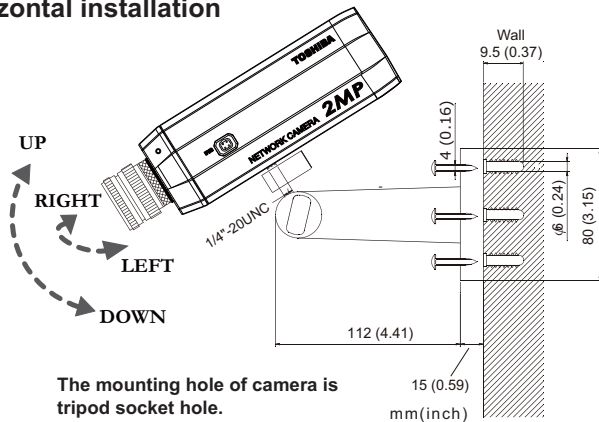
Hardware Installation

Follow the steps below to mount the Network Camera:

The Installation example is for reference only. Mounting bracket is not included.

1. Drill six pilot holes ($\phi 0.24$ inch x 0.37 inches(D)). And Hammer the plastic anchors (not included) into the holes.
2. Align the six holes of the mounting Bracket (not supplied) with the six plastic anchors, insert the appropriate screws ($\phi 0.16$ inch x 0.96 inches(D)) (not included) to corresponding holes.
3. Secure the Mounting Bracket to the wall.
4. Mounting the Lens to the camera. Use the appropriate lens (not supplied).
5. Turn the camera to the desired position when install the camera to the Mounting Bracket. And secure using a screw driver.

Example of Horizontal installation



NOTE

- Since this camera is using a 2 megapixel sensor, the recommended lens is a 2 megapixel lens for 1/3 inch sensors.
- Do not block the light sensor when using an auto iris lens.
- When installing in high locations, take caution to secure the camera from falling and causing possible injury.
- Tie using Fixing Hole to prevent from unplugging of power cord or other cable.

Network Deployment

General Connection (without PoE)

1. If you have external devices such as sensors and alarms, make the connections from general I/O terminal block.
2. Use Category 5 or equivalent Cable to connect the Network Camera to a network switch.

Use Category 5 or equivalent Cross Cable when Network Camera is directly connected to a PC.

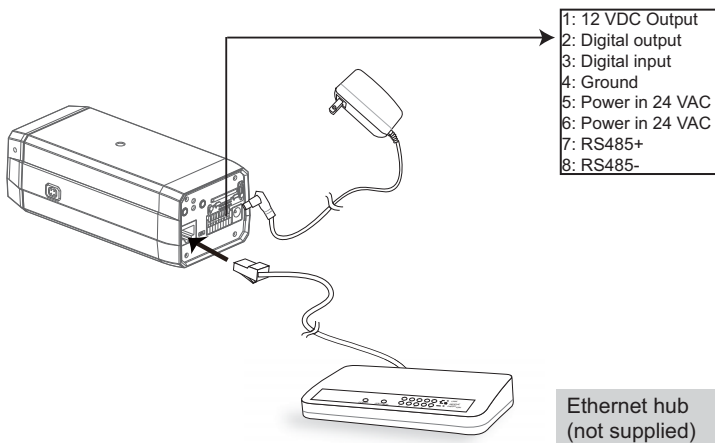
3. Connect the supplied AC adapter.

Power input

Connect the power adapter of the supplied AC adapter, 24V AC UL Listed Class2 power supply.

The power supply of this camera is 12V DC or 24V AC.

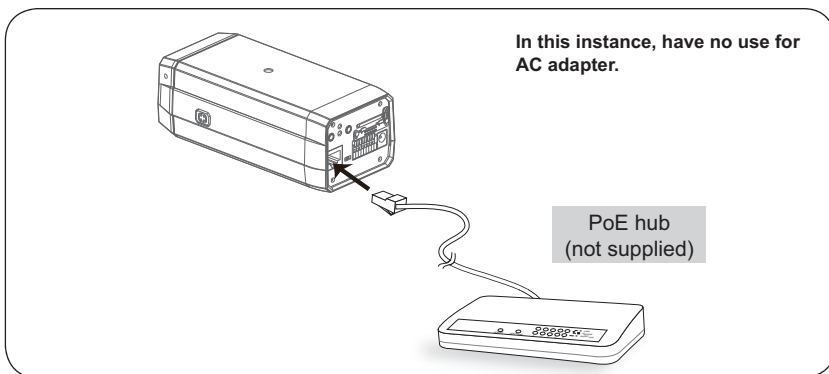
Connect the AC adapter jack to the Network Camera before plugging in to the power socket. This will reduce the risk of accidental electric shock.



Power over Ethernet (PoE)

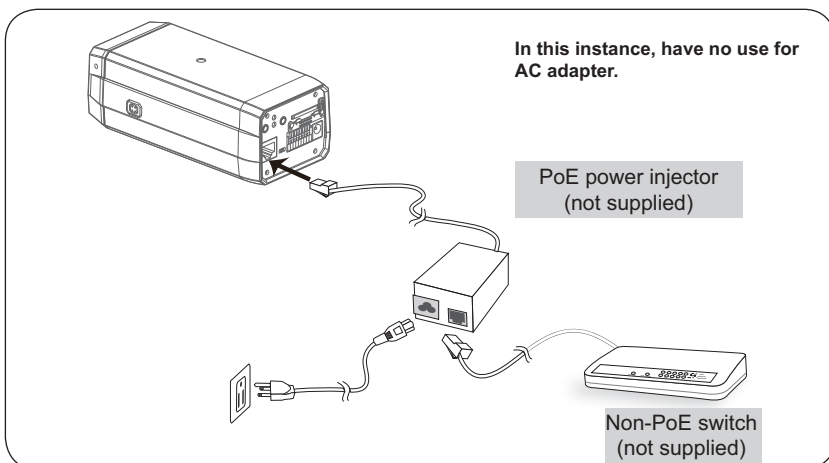
● When using a PoE switch

The Network Camera is PoE-compliant, allowing transmission of power and data to both run in a single Ethernet cable. See the following illustration to connect the Network Camera to a PoE switch via Ethernet cable.



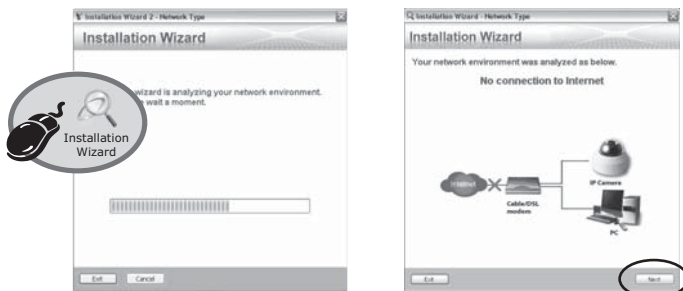
● When using a non-PoE hub

Use a PoE power injector to connect between the Network Camera and a non-PoE switch.

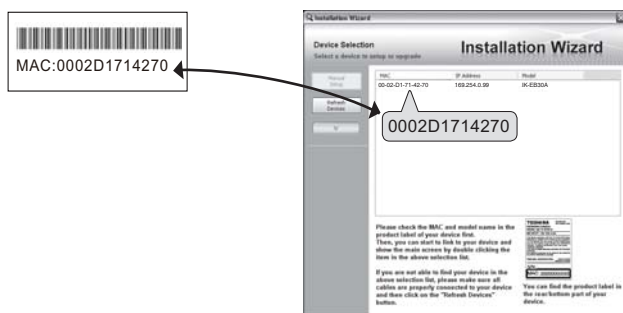


Assigning IP Address

1. Install the "Installation Wizard" under the Software Utility directory from the CD-ROM.
2. The program will analyze your network environment. After your network is analyzed, please click on the "Next" button to continue the program.



3. The program searches for other Network Cameras on the same network.
4. After searching, the main installer window will pop up. Click on the MAC that matches the one labeled on the side of the camera lens to connect to the Network Camera.



NOTE

- If "Installation Wizard" does not perform normally or the camera can not be found during the search even though the camera and a PC are connected correctly, please switch off the wireless LAN of a PC.
- Installation Wizard can search the location of the Network Camera even though DHCP is not used on the network. Reassign the static IP address because IP address of the Network Camera has been set 169.254.*.* by default.

Retrieving Images

1. Access to the Network Camera from the network.
2. Retrieve live video through Internet Explorer®.



For more information on camera configuration, please refer to user's manual on the CD-ROM.

TOSHIBA AMERICA INFORMATION SYSTEMS, INC.

Surveillance & IP Video Products

9740 Irvine Boulevard,

Irvine, CA 92618-1697

Phone Number: (877) 855-1349

625010400G

Free Manuals Download Website

<http://myh66.com>

<http://usermanuals.us>

<http://www.somanuals.com>

<http://www.4manuals.cc>

<http://www.manual-lib.com>

<http://www.404manual.com>

<http://www.luxmanual.com>

<http://aubethermostatmanual.com>

Golf course search by state

<http://golfingnear.com>

Email search by domain

<http://emailbydomain.com>

Auto manuals search

<http://auto.somanuals.com>

TV manuals search

<http://tv.somanuals.com>