

### Highlights

- ATSC digital TV modules to convert analog CRT and LCD TV to be ATSC compliant per the FCC mandate.
- Production-ready modules enable rapid adaptation into existing TV chassis.
- Field proven and mature ATSC software is provided.
- Protocol for interfacing to the TV micro is provided.
- Modules are compliance CE tested with Sarnoff streams and audio is Dolby certified

### Description

Toshiba has designed two application-specific modules based on the TC90407XBG digital TV SoC that can reduce design-to-production time:

- DLVM-GC
- DLVM-GL

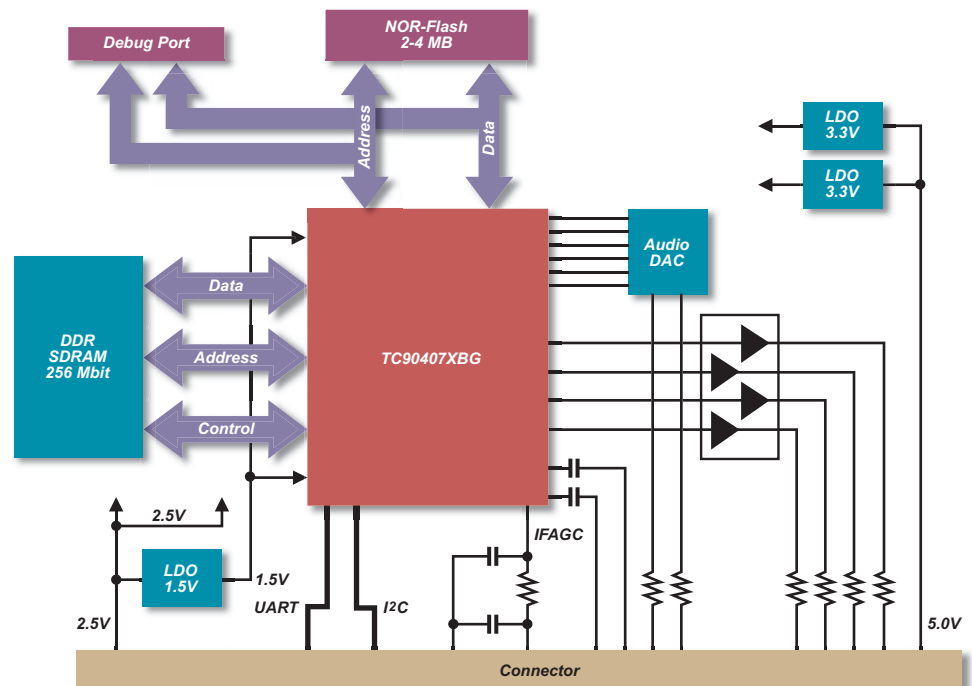
The DLVM-GC module is designed for digital CRT TV applications and the DLVM-GL module is designed for LCD TV applications. Both modules decode digital transmission content and provide analog or digital output to existing backend processors in TV systems that decode analog transmissions for display. The DLVM-GC module can be plugged into an existing analog CRT chassis or motherboard through a connector. Similarly, the DLVM-GL module can be plugged into an

existing LCD TV backend processor system that decodes analog transmission for display.

### Features

Hardware Structure: The block diagram of the DLVM-GC module is based on the Toshiba TC90407XBG digital TV SoC. The digital tuner IF output is connected to the VSB demodulator input of the TC90407XBG chip on the module. The DLVM-GC can decode HD or SD stream and provide analog output in 480i format (CVBS, S-Video or Component Video) for digital CRT TV applications. It can also provide component analog output in 480p/720p/1080i format. This module generates analog stereo audio output and digital audio output (SPDIF). The DLVM-GC module design can also be used for digital converter box applications.

### TC90407XBG/FG Block Diagram



## TAEC Regional Sales Offices

### NORTHWEST

#### San Jose, CA

TEL: (408) 526-2400

FAX: (408) 526-2410

#### Portland, OR

TEL: (503) 784-8879

FAX: (503) 466-9729

### SOUTHWEST

#### Irvine, CA

TEL: (949) 623-2900

FAX: (949) 474-1330

#### Richardson, TX

TEL: (972) 480-0470

FAX: (972) 235-4114

### CENTRAL

#### Buffalo Grove, IL

TEL: (847) 484-2400

FAX: (847) 541-7287

### NORTHEAST

#### Marlboro, MA

TEL: (508) 481-0034

FAX: (508) 481-8828

#### Parsippany, NJ

TEL: (973) 541-4715

FAX: (973) 541-4716

### SOUTHEAST

#### Duluth, GA

TEL: (770) 931-3363

FAX: (770) 931-7602

[www.Toshiba.com/taec](http://www.Toshiba.com/taec)

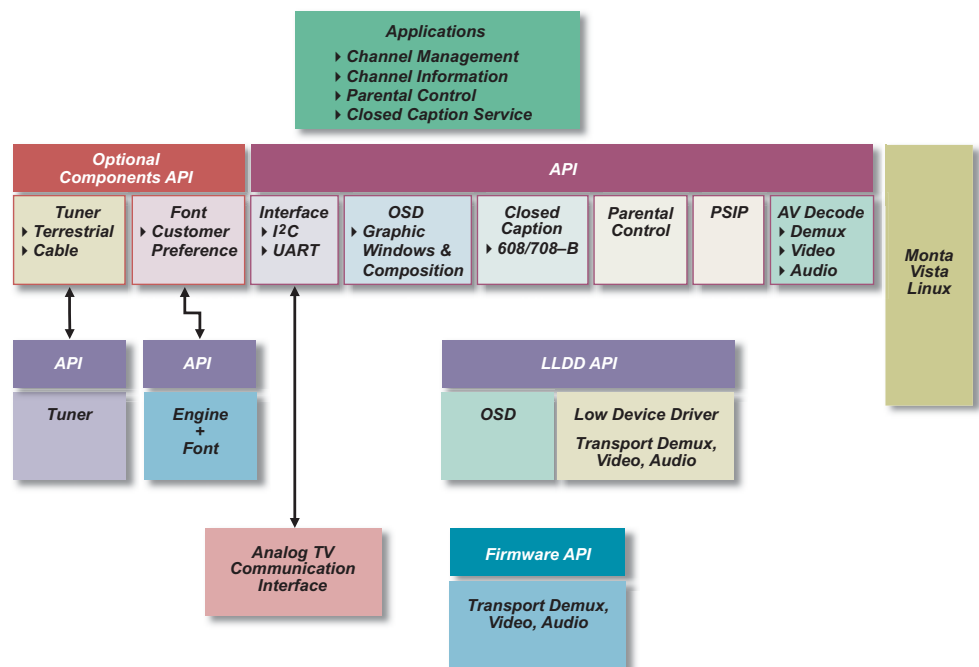
The DLVM-GL module is very similar to the DLVM-GC module, and in addition to the above functionality, it provides 8/16-bit digital video output to interface to a LCD TV chip that accepts digital video. It also provides 1 channel of I<sup>2</sup>S digital output.

Software Structure: These modules use a software stack as shown in the diagram below. The firmware and device drivers are ported for a Linux<sup>®</sup> operating system.

Toshiba's industry-proven ATSC middleware, driver and application adaptation layer software along with sample application code are available for quick product deployment. The software stack

can upgrade an existing NTSC LCD/CRT TV chassis to be ATSC compliant. The interface between analog TV and an ATSC module, over a UART or I<sup>2</sup>C bus, can be easily customized by the system integrator or ODM. The Software Kit also comes with complete documentation of the API and sample code for easy integration with an analog TV chassis. The Software Kit comes with a font engine and fonts, which can be replaced by the user if different fonts are required. Similarly, the tuner driver can also be replaced for a different tuner. The software has gone through extensive qualification including Dolby certification and is Sarnoff compliant.

## Software Structure for an ATSC Digital TV Application



\* The information contained herein is subject to change without notice.

\* The information contained herein is presented only as a guide for the applications of our products. No responsibility is assumed by TOSHIBA for any infringements of patents or other rights of the third parties which may result from its use. No license is granted by implication or otherwise under any patent or patent rights of TOSHIBA or others.

\* TOSHIBA is continually working to improve the quality and reliability of its products. Nevertheless, semiconductor devices in general can malfunction or fail due to their inherent electrical sensitivity and vulnerability to physical stress. It is the responsibility of the buyer, when utilizing TOSHIBA products, to comply with the standards of safety in making a safe design for the entire system, and to avoid situation in which a malfunction or failure of such TOSHIBA products could cause loss of human life, bodily injury or damage to property. In developing your designs, please ensure that TOSHIBA products are used within specified operating ranges as set forth in the most recent TOSHIBA products specifications. Also, please keep in mind the precautions and conditions set forth in the "Handling Guide for Semiconductor Devices," or "TOSHIBA Semiconductor Reliability Handbook" etc.

\* The Toshiba products listed in this document are intended for usage in general electronics applications (computer, personal equipment, office equipment, measuring equipment, industrial robotics, domestic appliances, etc.). These Toshiba products are neither intended nor warranted for usage in equipment that requires extraordinarily high quality and/or reliability or a malfunction or failure of which may cause loss of human life or bodily injury ("Unintended Usage"). Unintended Usage include atomic energy control instruments, airplane or spaceship instruments, transportation instruments, traffic signal instruments, combustion control instruments, medical instruments, all types of safety devices, etc. Unintended Usage of Toshiba products listed in this document shall be made at the customer's own risk.

\* The products described in this document may include products subject to foreign exchange and foreign trade laws.

\* The products contained herein may also be controlled under the U.S. Export Administration Regulations and/or subject to the approval of the U.S. Department of Commerce or U.S. Department of State prior to export. Any export or re-export, directly or indirectly in contravention of any of the applicable export laws and regulations, is hereby prohibited.

# TOSHIBA

TOSHIBA AMERICA ELECTRONICS COMPONENTS, INC.

## TC90407XBG Reference Modules

## Free Manuals Download Website

<http://myh66.com>

<http://usermanuals.us>

<http://www.somanuals.com>

<http://www.4manuals.cc>

<http://www.manual-lib.com>

<http://www.404manual.com>

<http://www.luxmanual.com>

<http://aubethermostatmanual.com>

Golf course search by state

<http://golfingnear.com>

Email search by domain

<http://emailbydomain.com>

Auto manuals search

<http://auto.somanuals.com>

TV manuals search

<http://tv.somanuals.com>