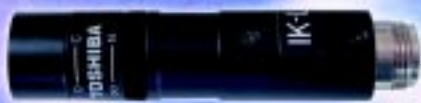




IK-C44H



IK-UM44H



IK-M44H



IK-CU44A

This versatile, powerful new camera system is compatible with 1/2" and 1/3" heads and C-mount lenses. Endoscopy, microscopy, machine vision, broadcast and education are just some of its many applications. The system delivers excellent image resolution, while its compact dimensions provide for greater flexibility in mounting choices.

- 470 line resolution from all heads
- RS-232C allows PC Control of CCU
- 768TV Line Horizontal Resolution
- 1/60 to 1/10,000 Sec. Electronic Shutter
- Excellent low-light performance
- Choice of three camera heads
- Compact, lightweight, easy to install

SPECIFICATIONS

Camera Control Unit (IK-CU44A)

Power Supply	DC12V±0.5V
Power Consumption	310 mA
Effective Image Area	H: 6.54mm, V: 4.89mm (1/2 inch type)
Scanning System	2:1 Interlace
Scan Frequency	H: 15.734 kHz, V: 59.94 Hz
Sync System	Internal/External (auto switching)
Resolution	H: More than 470 lines, V: More than 350 lines
S/N Ratio	46dB or more
Video Output	VBS 1.0 V(p-p), BNC terminal NTSC System Y/C separation output (S terminal)
Output Impedance	75ohms unbalanced
External Sync Input	VBS 1.0V (p-p) (BNC terminal) NTSC 75ohm unbalanced
Adjustment function	Subcarrier phase, H phase
White Balance	Automatic/set/manual
Gain Switch (AGC)	SENS UP (+6 dB)/ON/OFF
Electronic Shutter	Automatic, 1/60s, 1/100s, 1/250s, 1/500s, 1/1000s, 1/2000s, 1/4000s, 1/10000s, synchronization scan
Operating Temperature	14°F to 104°F (-10C to +40C)
Operating Humidity	less than 90%
Anti-vibration/shock characteristics	70 m/s ² (10 to 200 Hz)/700 m/s ²
Weight	Control Unit: 0.86 lbs (390g)
Dimensions	W: 3.35", H: 1.57", D: 6.14" (W: 85mm, H: 40mm, D: 156mm)

IK-C44H (C-Mount Camera Head)

Image Sensor	1/2 inch IT CCD
Effective Pixels	H: 768, V: 494
Effective Image Area	H: 6.54mm, V: 4.89mm
Resolution	H: more than 470, V: more than 350
Standard Intensity of Illumination for objects	20 lx (F1.2, 3000K)
Minimum Intensity of Illumination for objects	1.5 lx (F1.2, 3000K)
S/N Ratio	46dB or more
Lens Mount	C-Mount
Weight	2.8 oz (78g)

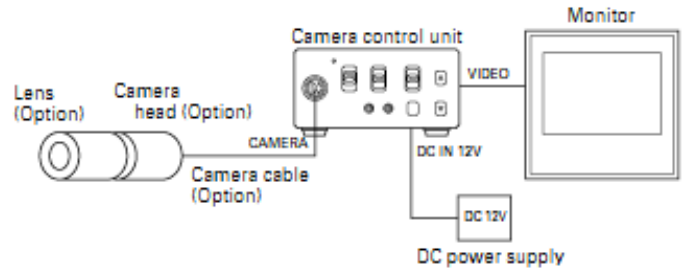
IK-UM44H (1/3 inch Camera Head)

Image Sensor	1/3 inch IT CCD
Effective Pixels	H: 768, V: 494
Effective Image Area	H: 6.54mm, V: 4.89mm
Resolution	H: more than 470, V: more than 350
Standard Intensity of Illumination for objects	40 lx (F1.6, 3000K)
Minimum Intensity of Illumination for objects	3.5 lx (F1.6, 3000K)
Weight	.33 oz (10g)

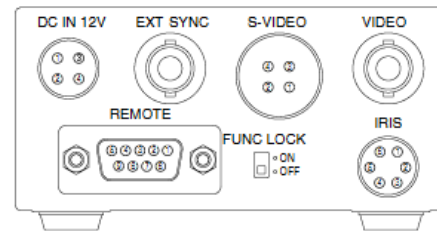
IK-M44H (1/2 inch Camera Head)

Image Sensor	1/2 inch IT CCD
Effective Pixels	H: 768, V: 494
Effective Image Area	H: 6.54mm, V: 4.89mm
Resolution	H: more than 470, V: more than 350
Standard Intensity of Illumination for objects	30 lx (F1.6, 3000K)
Minimum Intensity of Illumination for objects	2.5 lx (F1.6, 3000K)
Weight	.6 oz (18g)

CONNECTION

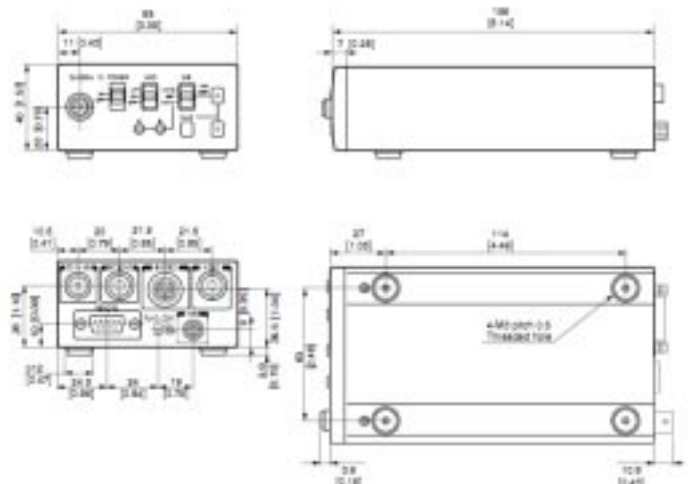


PIN ASSIGNMENTS



DC IN 12V	S-VIDEO	REMOTE	IRIS
1 +12V	1 +12V	1 NC	1 NC
2 +12V	2 +12V	2 TXD	2 VIDEO
3 GND	3 Y	3 RXD	3 GND
4 GND	4 C	4 DSR	4 +12V
		5 GND	5 GND
		6 DTR	6 NC
		7 CTS	
		8 RTS	
		9 NC	

DIMENSIONS



Free Manuals Download Website

<http://myh66.com>

<http://usermanuals.us>

<http://www.somanuals.com>

<http://www.4manuals.cc>

<http://www.manual-lib.com>

<http://www.404manual.com>

<http://www.luxmanual.com>

<http://aubethermostatmanual.com>

Golf course search by state

<http://golfingnear.com>

Email search by domain

<http://emailbydomain.com>

Auto manuals search

<http://auto.somanuals.com>

TV manuals search

<http://tv.somanuals.com>