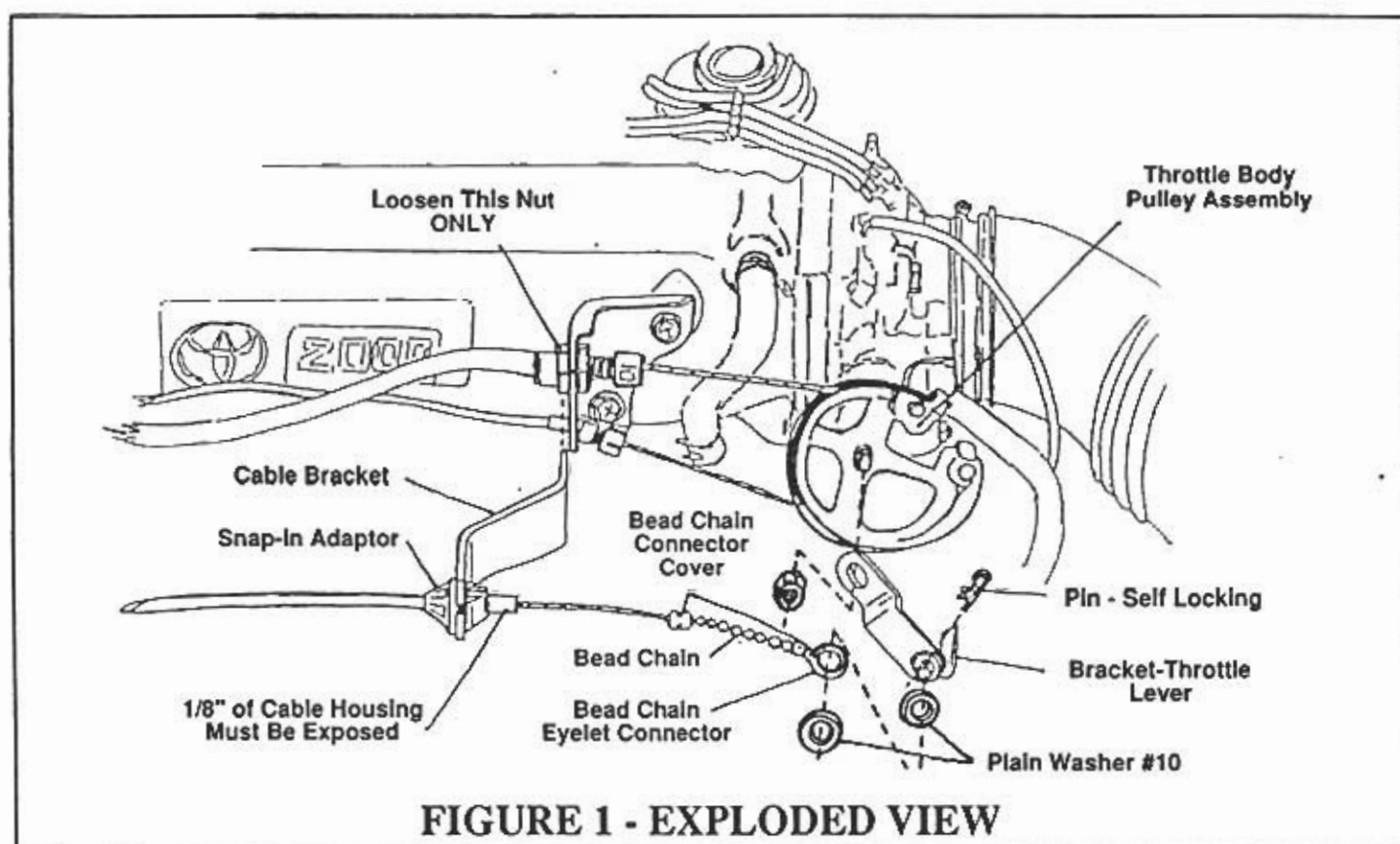


# **1994 TOYOTA CELICA WITH 2.2L ENGINE**

## 16 VALVE ENGINE/THROTTLE ADAPTOR PACKAGE - 250-4235

1. Remove the throttle shaft nut and lock washer from the throttle shaft. Install the Bracket-Throttle Lever on the throttle shaft. Reinstall the lock washer and hex nut, and torque the nut to 60-72 In/Lbs (5-6Ft./Lbs), See Figure 1.

**NOTE: Start nut by hand first to prevent cross threading, DO NOT OVERTIGHTEN HEX NUT.**



### 2. AUTOMATIC TRANSMISSION:

Loosen the automatic kick down bracket jam nut. Loosen only the nut shown in Figure 1. Install Bracket-Cable between the automatic kick down bracket and the jam nut previously loosened. Re-tighten jam nut ensuring that Bracket -Cable is held securely in place.

### MANUAL TRANSMISSION:

Install Bracket-Cable on automatic kick down bracket using the Bolt and Nut. Tighten Nut ensuring that Bracket-Cable is held securely in place.

3. Remove the Snap-In-Adaptor from the Cruise Control Kit.

4. Remove the Adjustable Sleeve from the Cruise Control Cable and discard.

FORM #2609

## Before Threading Cable

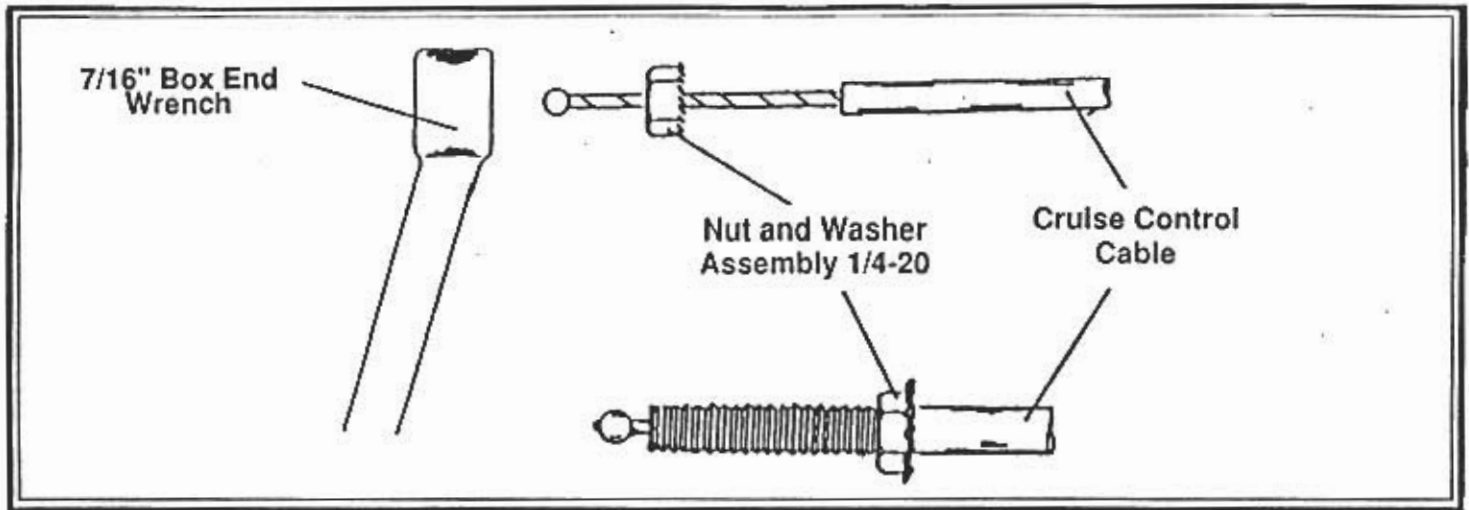


FIGURE 2 - After Threading Cable

5. To use that Snap-In adaptor, it will be necessary to form threads on the end of the Cruise Control Cable. This is accomplished by placing the 1/4"-20 Nut and Washer Assembly on the end of the Cruise Control Cable with your fingers, then use a 7/16" box end wrench and turn clockwise, until the desired amount of threads have been formed as shown in Figure 2.

6. After the threads have been formed thread the Snap-In Adaptor onto the Cruise Control Cable, and snap into the Bracket-Cable as shown in Figure 1.

NOTE" ENSURE THAT AT LEAST 1/8" OF THE CRUISE CONTROL CABLE IS EXPOSED PAST THE SNAP-IN ADAPTOR, SEE FIGURE 1.

7. Connect the Bead Chain Eyelet Connector, to the Bead Chain with the Bead Chain Connector Cover in place. Install Bead Chain Eyelet Connector with Bead Chain, Washer-#10 Plain on the Bracket -Throttle Lever, and secure in place with Pin-Self Locking as shown in Figure 1.

8. Connect Bead Chain with Bead Chain Connector (Double Ended), to the Cruise Control Cable, with no slack in the Bead Chain, and install a Bead Chain Connector Cover as shown in Figure 1.

9. Be sure that the throttle is not being held open by the Cruise Control Cable. Adjust Cruise Control Cable by releasing Snap-In Adaptor from Bracket-Cable to proper length. Snap, Snap-In Adaptor back into Bracket-Cable.



ALL RIGHTS RESERVED PRINTED IN THE USA

## Free Manuals Download Website

<http://myh66.com>

<http://usermanuals.us>

<http://www.somanuals.com>

<http://www.4manuals.cc>

<http://www.manual-lib.com>

<http://www.404manual.com>

<http://www.luxmanual.com>

<http://aubethermostatmanual.com>

Golf course search by state

<http://golfingnear.com>

Email search by domain

<http://emailbydomain.com>

Auto manuals search

<http://auto.somanuals.com>

TV manuals search

<http://tv.somanuals.com>