

StoreJet[®] 25P

SATA HDD Enclosure

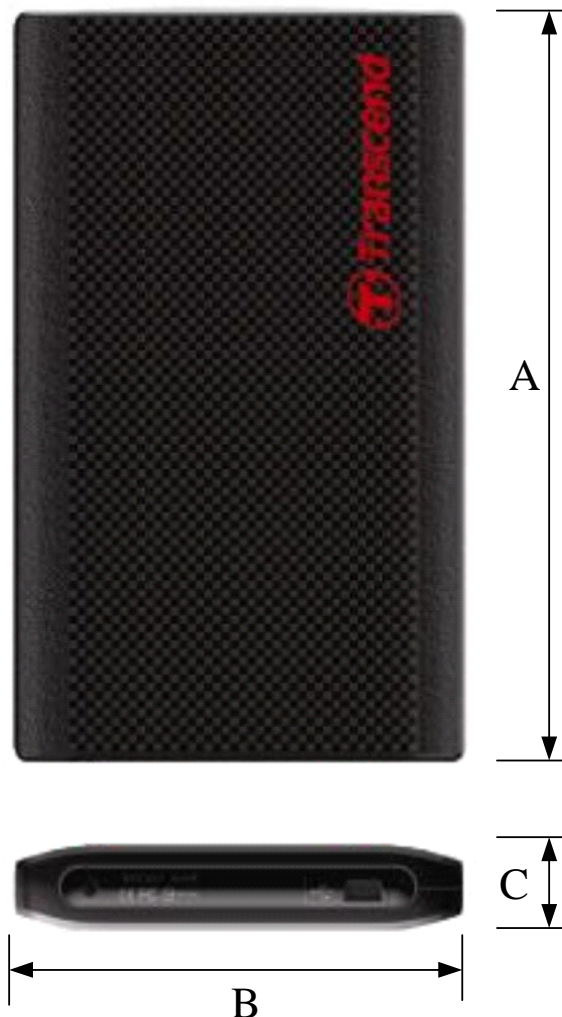
Description

This device is designed to expedite exchanging huge amounts of data between Transcend StoreJet[®] and any desktop or notebook computer.

System Requirements

- Desktop or notebook computers with USB port
- One of following operating systems:
 - Windows[®] 2000/XP/Vista/7, Mac OS 9.0 or above
 - Linux Kernel 2.4.2 or above

Placement



Features

- Racing-inspired lightweight slim design with checkered aluminum front panel
- Protective soft travel pouch
- Slide-open case for easy hard drive installation and removal
- High-speed USB 2.0 compliant and backwards compatible with USB 1.1
- Easy Plug and Play operation – no drivers required
- Completely USB powered. No external power supply or battery needed
- High-Speed data transfer rates up to 480Mbits per second
- Includes **StoreJet[®] elite** data-management software
- LED power and data transfer activity indicator

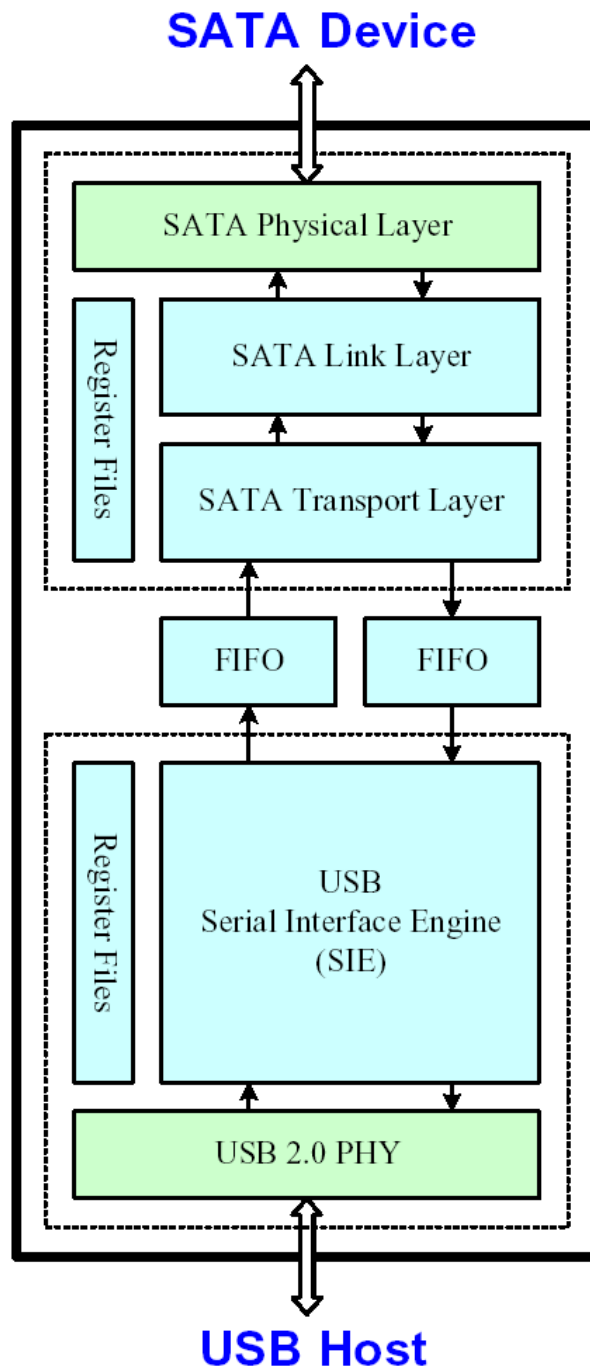
Dimensions

Side	Millimeters	Inches
A	127.40 ± 1.00	5.016 ± 0.04
B	81.25 ± 1.00	3.199 ± 0.04
C	14.50 ± 1.00	0.571 ± 0.04

Ordering Information

Transcend P/N	Capacity
TS0GSJ25P	0GB
TS250GSJ25P	250GB
TS320GSJ25P	320GB
TS500GSJ25P	500GB

Block Diagram



Pinouts

Pin No.	Pin Name
01	VCC
02	USB-
03	USB+
04	VSS

Pin Identification

Symbol	Function
USB-	USB differential signal
USB+	The pairs are used to transmit Data/Address/Command
VCC	USB Cable Power Detector
VSS	Ground

Specifications

Environment		
Storage Media		2.5 inch SATA Hard Disk
Temperature	Operation	5 °C to 55 °C
	Storage	-40 °C to 70 °C
Power Supply		USB DC 5 Volt
Power Consumption		1090mA (Max.)
Size (L x W x H)		127.40mmx81.25mmx14.50mm
Weight	With Hard Drive	158g
Certificates		CE, FCC, BSMI

Above technical information is based on industry standard data and tested to be reliable. However, Transcend makes no warranty, either expressed or implied, as to its accuracy and assumes no liability in connection with the use of this product. Transcend reserves the right to make changes in specifications at any time without prior notice.

Free Manuals Download Website

<http://myh66.com>

<http://usermanuals.us>

<http://www.somanuals.com>

<http://www.4manuals.cc>

<http://www.manual-lib.com>

<http://www.404manual.com>

<http://www.luxmanual.com>

<http://aubethermostatmanual.com>

Golf course search by state

<http://golfingnear.com>

Email search by domain

<http://emailbydomain.com>

Auto manuals search

<http://auto.somanuals.com>

TV manuals search

<http://tv.somanuals.com>