

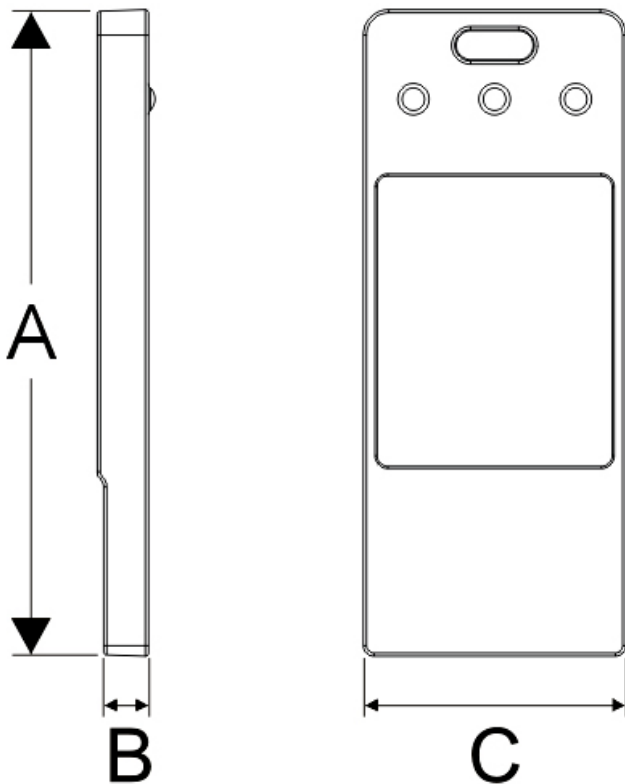
TS1GJFT3

1GB USB2.0 JetFlash® T3

Description

TS1GJFT3 is a 1GB USB Flash Drive with 1pcs of 1Gx8 Flash Memory assembled on printed circuit board.

Outline



Features

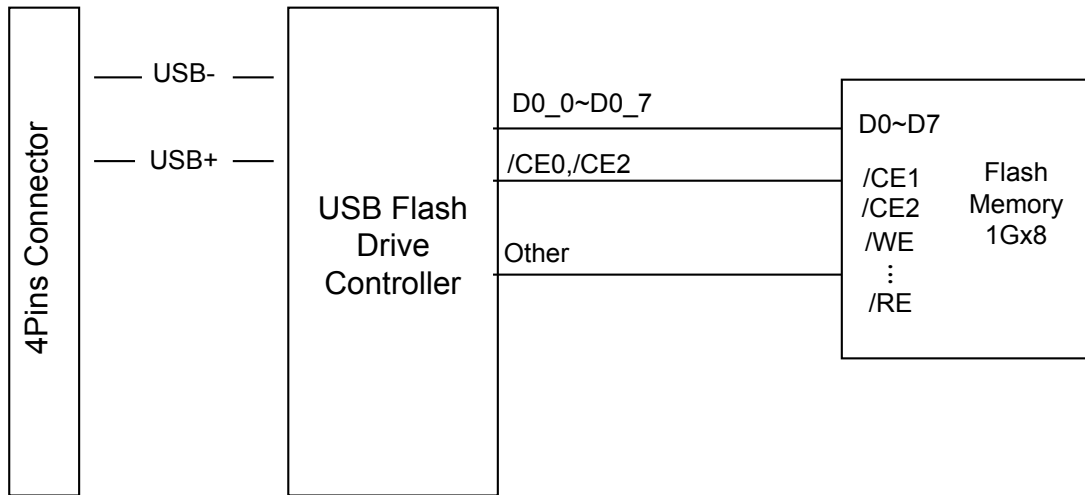
- USB Interface: Compliant with USB specification 2.0.
- PC-Lock Function: Makes JetFlash® a key to lock your computer
- Secret-Zip Function: Compress and/or Password protect saved files using AES Encryption
- E-Mail Function: Use your JetFlash® to Securely Send, Receive and Save e-mails
- AutoLogin Function: Automatically login to websites where you have a password
- Favorites Function: Store all your favorite website addresses on the JetFlash®
- DataBackup Function: Backup, Restore and Synchronize your Data using the JetFlash®
- No external power or battery needed

Dimensions

Side	Millimeters	Inches
A	30.3 ± 0.08	1.19 ± 0.003
B	2.4 ± 0.05	0.48 ± 0.002
C	12.3 ± 0.05	0.1 ± 0.002

Block Diagram

With 1 pcs of 1Gx8 Flash Memory



TS1GJFT3

1GB USB2.0 JetFlash® T3

Pinouts

Pin No.	Pin Name
01	VCC
02	USB-
03	USB+
04	VSS

Pin Identification

Symbol	Function
USB-	USB differential signal:
USB+	The pairs are used to transmit Data/Address/Command
VSS	Ground
VCC	USB power input

Specifications

Storage Capacity	1GB
Data Retention	10 years
Erase Cycles	>10,000 times
Connector Durability	10,000 times
System Performance	Read: 10MB/sec (max.), Write: 3MB/sec (max.)
Power Supply	DC 5V±10% via the USB port
Temperature Range	Operation: 0-70 °C, Non-Operating: -40°C-85°C
Certificates	CE, FCC, BSMI

Above technical information is based on industry standard data and tested to be reliable. However, Transcend makes no warranty, either expressed or implied, as to its accuracy and assumes no liability in connection with the use of this product. Transcend reserves the right to make changes in specifications at any time without prior notice.

Free Manuals Download Website

<http://myh66.com>

<http://usermanuals.us>

<http://www.somanuals.com>

<http://www.4manuals.cc>

<http://www.manual-lib.com>

<http://www.404manual.com>

<http://www.luxmanual.com>

<http://aubethermostatmanual.com>

Golf course search by state

<http://golfingnear.com>

Email search by domain

<http://emailbydomain.com>

Auto manuals search

<http://auto.somanuals.com>

TV manuals search

<http://tv.somanuals.com>