

# StoreJet<sup>®</sup> 25C

## SATA HDD Enclosure

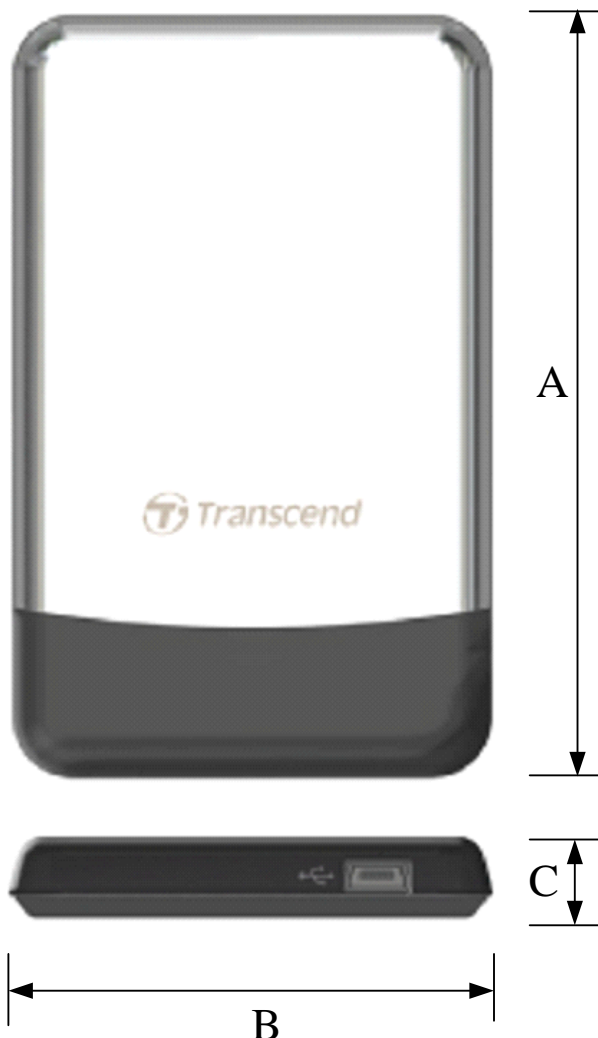
### Description

This device is designed to expedite exchanging huge amounts of data between Transcend StoreJet<sup>®</sup> and any desktop or notebook computer.

### System Requirements

- Desktop or notebook computers with USB port
- One of following operating systems:
  - Windows<sup>®</sup> 2000/XP/Vista/7, Mac OS 9.0 or above
  - Linux Kernel 2.4.2 or above

### Placement



### Features

- Luxurious polished metal case with piano gloss connection panel
- Elegant faux-leather backing cushions drive against vibration
- Stylish protective carrying case
- High-speed USB 2.0 compliant and backwards compatible with USB 1.1
- Easy Plug and Play operation – no drivers required
- High capacity hard drive for storing, carrying, and backing-up files
- Completely USB powered. No external power supply or battery needed
- High-Speed data transfer rates up to 480Mbps per second
- Includes **StoreJet<sup>®</sup> elite** data-management software
- LED power and data transfer activity indicator

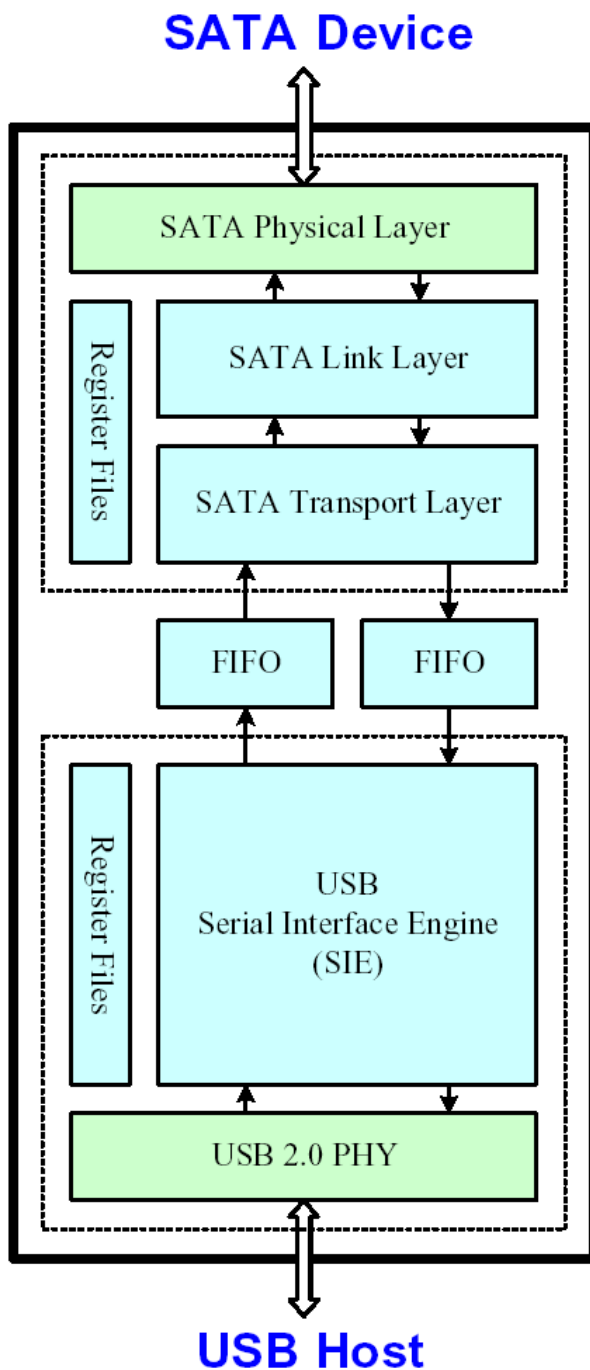
### Dimensions

Side	Millimeters	Inches
A	124.00 ± 1.00	4.882 ± 0.04
B	78.00 ± 1.00	3.071 ± 0.04
C	14.00 ± 1.00	0.551 ± 0.04

### Ordering Information

Transcend P/N	Capacity
TS250GSJ25C	250GB
TS320GSJ25C	320GB
TS500GSJ25C	500GB

### Block Diagram



### Pinouts

Pin No.	Pin Name
01	VCC
02	USB-
03	USB+
04	VSS

### Pin Identification

Symbol	Function
USB-	USB differential signal
USB+	The pairs are used to transmit Data/Address/Command
VCC	USB Cable Power Detector
VSS	Ground

### Specifications

Environment		
Storage Media		2.5 inch SATA Hard Disk
Temperature	Operation	5 °C to 55 °C
	Storage	-40 °C to 70 °C
Power Supply		USB DC 5 Volt
Power Consumption		1090mA (Max.)
Size (L x W x H)		124.00mmx78.00mmx14.00mm
Weight	With Hard Drive	173g
Certificates		CE, FCC, BSMI

Above technical information is based on industry standard data and tested to be reliable. However, Transcend makes no warranty, either expressed or implied, as to its accuracy and assumes no liability in connection with the use of this product. Transcend reserves the right to make changes in specifications at any time without prior notice.

## Free Manuals Download Website

<http://myh66.com>

<http://usermanuals.us>

<http://www.somanuals.com>

<http://www.4manuals.cc>

<http://www.manual-lib.com>

<http://www.404manual.com>

<http://www.luxmanual.com>

<http://aubethermostatmanual.com>

Golf course search by state

<http://golfingnear.com>

Email search by domain

<http://emailbydomain.com>

Auto manuals search

<http://auto.somanuals.com>

TV manuals search

<http://tv.somanuals.com>