

TS2G/4GMP820

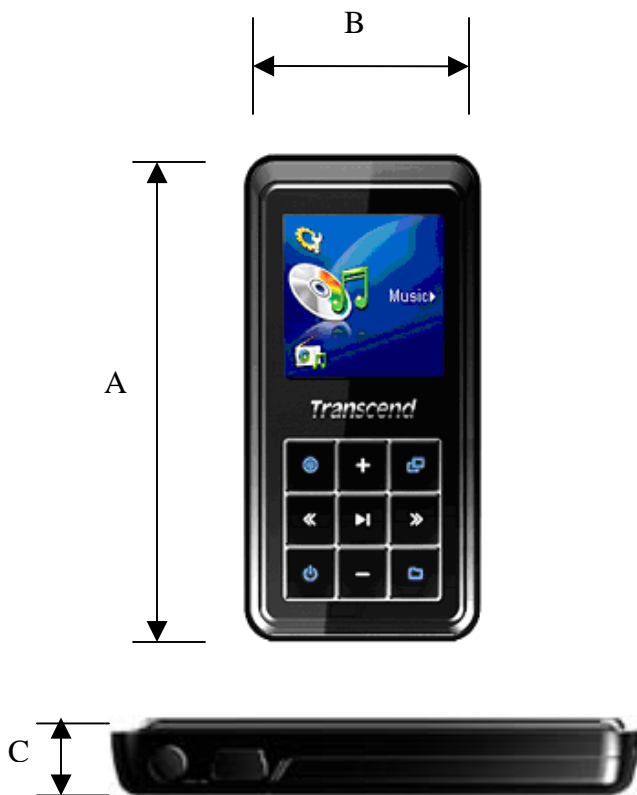
Description

TS2G/4GMP820 is a 2GB/4GB USB Flash Drive with 1 pcs of 2Gx8/4Gx8 Flash Memory assembled on the printed circuit board. It combines a USB Flash Drive with an MP3 player, AB repeater, voice recorder and an FM radio.

Dimensions

Side	Millimeters
A	82.00 ± 0.20
B	40.50 ± 0.20
C	12.00 ± 0.20

Outline



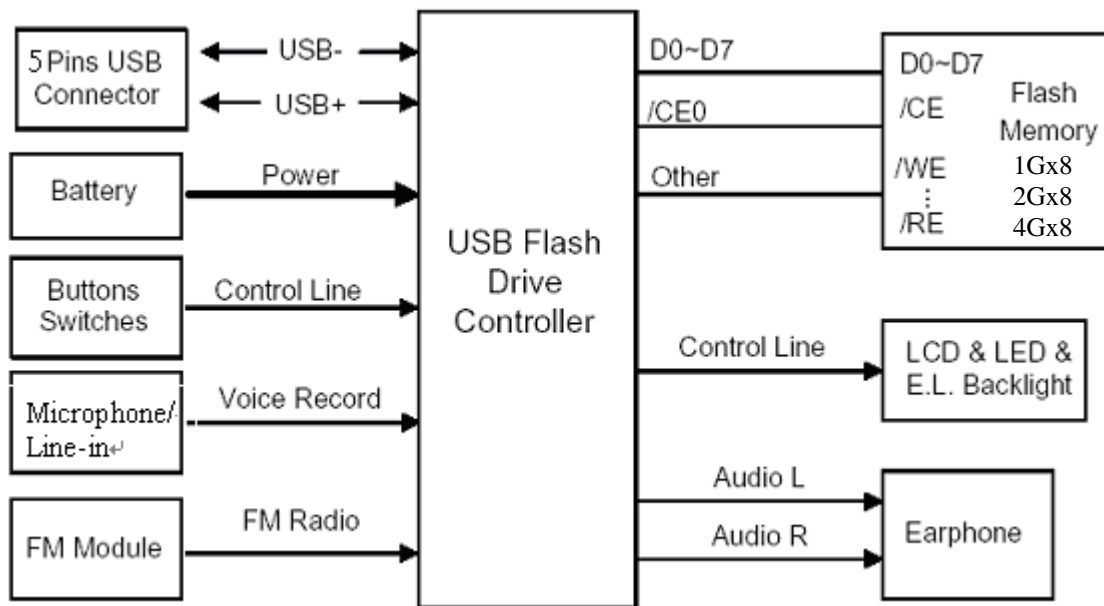
Features

- 1.5-inch (128 x 128 pixel) SuperColor Display for Playing Videos (.mtv) and Photos (.jpg, .bmp)
- MP3 Player that supports MP3, WMA, WMA-DRM10 (subscription music) and WAV music formats
- Ability to read E-books (.txt)
- FM Radio (FM Radio recording and the ability to preset 9 FM radio stations)
- Advanced Digital Voice Recorder
- Karaoke-type lyrics display
- Direct Line-In recording from a CD Player, or external Microphone
- VAD (Voice Activation Detection), Very High quality Gapless Audio Recordings
- Playlist Builder
- A-B repeat function allows you to continuously replay a designated section of a track
- Variable Track Playback speeds
- Supports 13 user languages including song/artist name display

- USB Flash Drive capabilities for data transfer and storage, plus additional software
- 7 Equalizer effects, including a customizable USER EQ setting
- Powered using a rechargeable Li-ion battery (fully charged battery supports over 15 hours of continuous operation)
- Hi-Speed Mini USB 2.0 port for easy computer connectivity and fast file transfers
- Sleep Mode, preset the player to Auto-Power OFF after 15, 30, or 60 minutes
- Automatic screen saver runs if the unit is idle for more than a few seconds, this acts as a battery saving measure
- Real Time Clock (RTC) displays local and world times

Block Diagram

With 1 pcs of 2Gx8 Flash Memory



Pinouts

Pin No.	Pin Name
01	VCC
02	USB-
03	USB+
04	VSS
05	GND

Pin Identification

Symbol	Function
USB+ USB-	USB differential signal: The pairs are used to transmit Data/Address/Command
VCC	USB Power Input
VSS	Ground
GND	Ground

Specifications

• Host Interface	USB2.0
• Storage	2GB/4GB
• Size:	82 mm × 40.5 mm × 12 mm
• Weight:	45g (with Li-ion battery)
• Data Retention:	Up to 10 years
• Erase Cycles:	≥ 100,000 times
• Signal-to-Noise Ratio:	≥ 90dB
• Power Supply	USB mass storage: DC5V ±10% MP3 Player: 3.7V Li-ion battery
• Estimated Battery Life:	15 hours (Li-ion battery)
• Music Formats:	MP3 and WMA (No DRM support)
• Recording Format:	ADPCM (WAV)
• Compression Rates:	32Kbps–320Kbps
• Certificates:	CE, FCC, BSMI
• Warranty:	2-years

Free Manuals Download Website

<http://myh66.com>

<http://usermanuals.us>

<http://www.somanuals.com>

<http://www.4manuals.cc>

<http://www.manual-lib.com>

<http://www.404manual.com>

<http://www.luxmanual.com>

<http://aubethermostatmanual.com>

Golf course search by state

<http://golfingnear.com>

Email search by domain

<http://emailbydomain.com>

Auto manuals search

<http://auto.somanuals.com>

TV manuals search

<http://tv.somanuals.com>