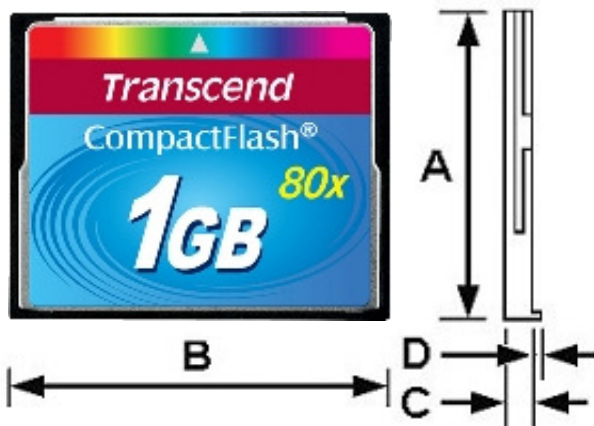


## TS32M~1GCF80

### 1. Description

The Transcend CF 80X is a High Speed Compact Flash Card with high quality Flash Memory assembled on a printed circuit board.

### Placement



### 1.1 Feature

- RoHS compliant products
- Compliant with CompactFlash® specification V3.0
- Single Power Supply: 5V ± 10% / 3.3V ± 5%
- Compliant to CompactFlash, PCMCIA, and ATA standards
- Support PIO mode 0 to PIO mode 6
- Support Multi-Word DMA mode 0 to Multi-Word DMA mode 4 (Series of -P only supports PIO mode 0 to mode 4, please see Ordering Information)
- True IDE Mode: Fixed Disk (Standard)
- PC Card Mode: Removable Disk (Standard)
- Operating Temperature: -25°C to 85°C
- Storage Temperature: -40°C to 85°C
- Hardware RS-code ECC
- Support Wear-Leveling to extend product life
- Durability of Connector: 10,000 times

### 1.2 Dimensions

Side	Millimeters	Inches
A	36.40 ± 0.150	1.43 ± 0.005
B	42.80 ± 0.100	1.69 ± 0.004
C	3.30 ± 0.100	0.13 ± 0.004
D	0.63 ± 0.070	0.02 ± 0.003

## TS32M~1GCF80

### 1.3 Ordering Information

	Part Number	Mode	Description	Transfer mode
CF80	TS32M~1GCF80	True IDE mode	DMA Fixed Disk	Multiword DMA mode 0~4, PIO mode 0~6
		PCMCIA mode	Non-DMA Removable Disk	N/A
	TS32M~1GCF80-P	True IDE mode	Non-DMA Fixed Disk	PIO mode 0~4
		PCMCIA mode	Non-DMA Removable Disk	N/A

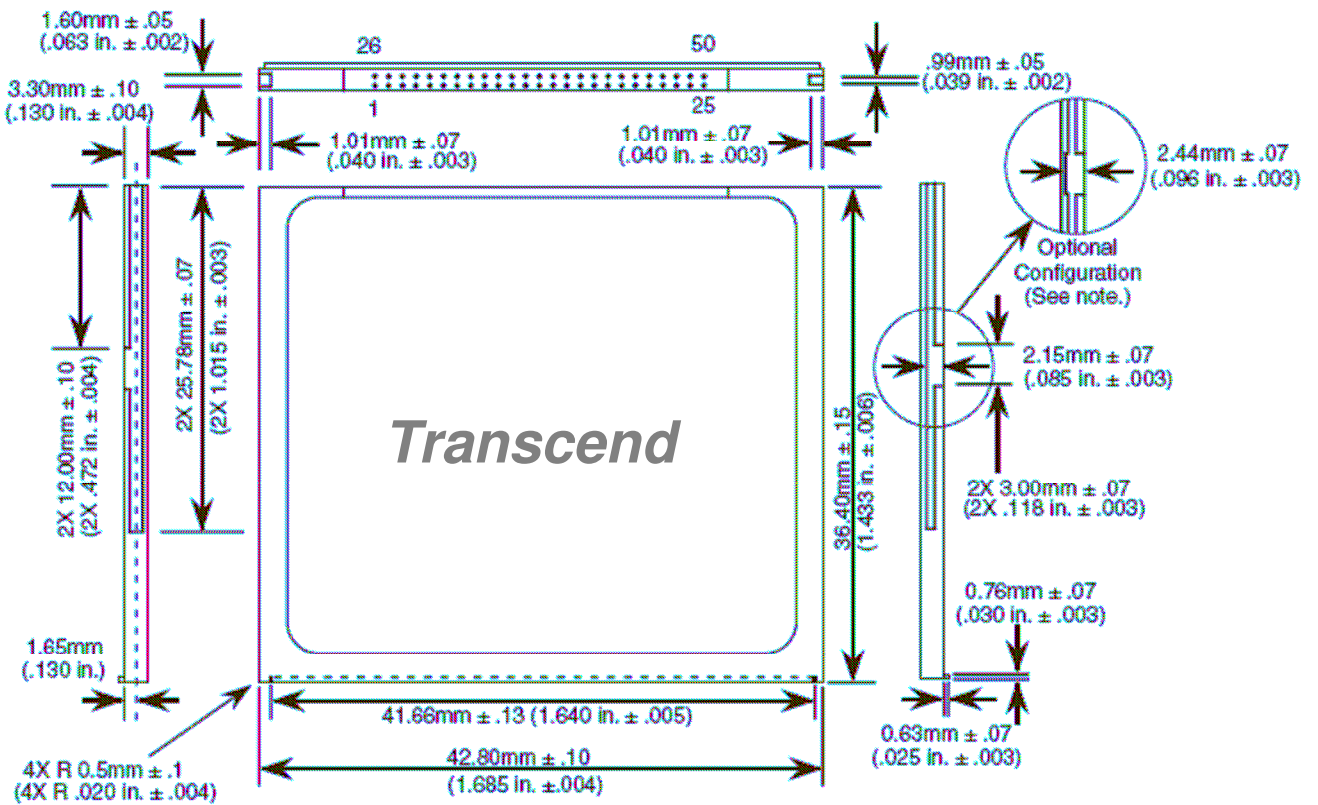
### 1.4 CHS and Capacity

Product Name	Cylinder	Head	Sector	Capacity
TS32MCF80	62	16	63	29.9MB
TS64MCF80	125	16	63	60.8MB
TS128MCF80	246	16	63	120MB
TS256MCF80	500	16	63	245MB
TS512MCF80	989	16	63	486MB
TS1GCF80	1978	16	63	972MB

# TS32M~1GCF80

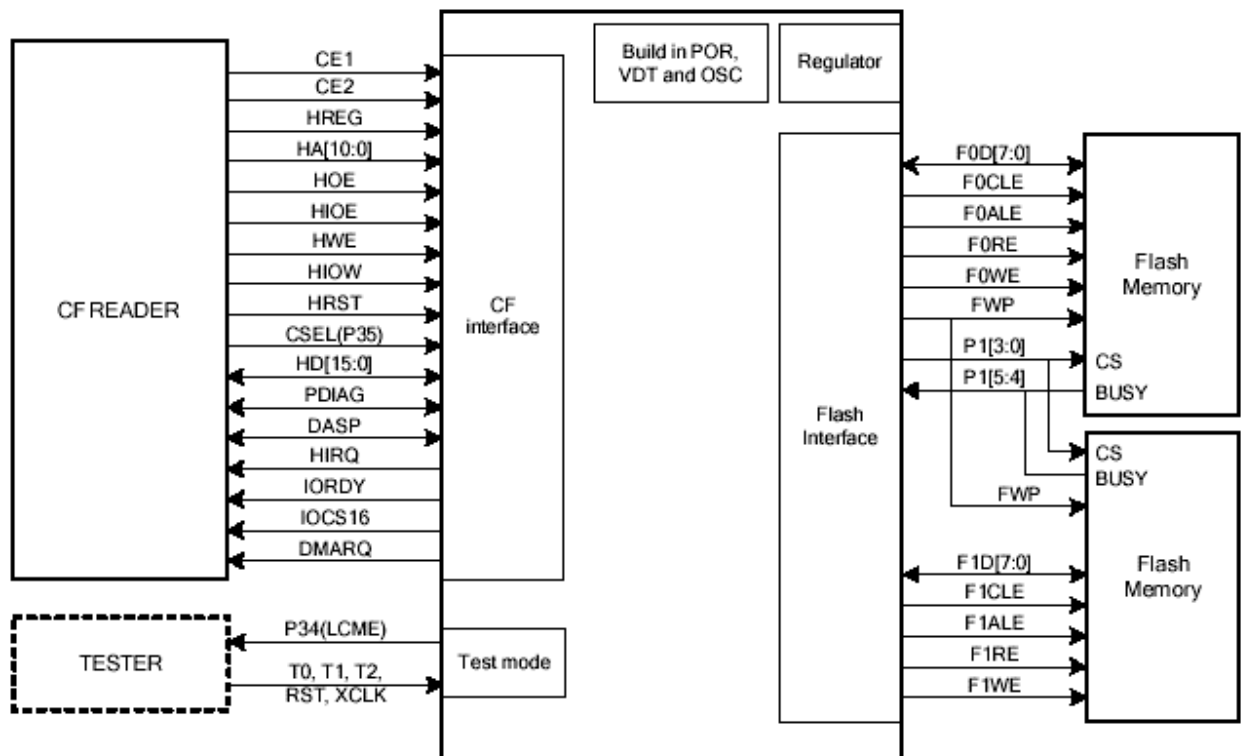
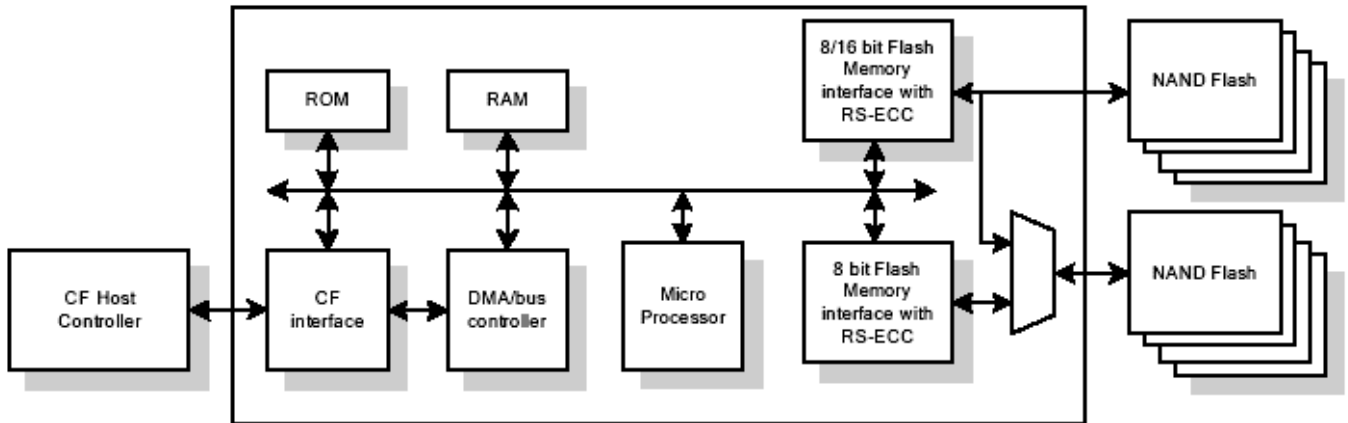
## 2. Product Specification

### 2.1 Compactflash Card Specification



# TS32M~1GCF80

## 2.2 Block Diagram



**TS32M~1GCF80**
**3. Electrical Interface**
**3.1 Pin Assignment and Pin Type**

PC Card Memory Mode				PC Card I/O Mode				True IDE Mode <sup>4</sup>			
Pin Num	Signal Name	Pin Type	In, Out Type	Pin Num	Signal Name	Pin Type	In, Out Type	Pin Num	Signal Name	Pin Type	In, Out Type
1	GND		Ground	1	GND		Ground	1	GND		Ground
2	D03	I/O	I1Z, OZ3	2	D03	I/O	I1Z, OZ3	2	D03	I/O	I1Z, OZ3
3	D04	I/O	I1Z, OZ3	3	D04	I/O	I1Z, OZ3	3	D04	I/O	I1Z, OZ3
4	D05	I/O	I1Z, OZ3	4	D05	I/O	I1Z, OZ3	4	D05	I/O	I1Z, OZ3
5	D06	I/O	I1Z, OZ3	5	D06	I/O	I1Z, OZ3	5	D06	I/O	I1Z, OZ3
6	D07	I/O	I1Z, OZ3	6	D07	I/O	I1Z, OZ3	6	D07	I/O	I1Z, OZ3
7	-CE1	I	I3U	7	-CE1	I	I3U	7	-CS0	I	I3Z
8	A10	I	I1Z	8	A10	I	I1Z	8	A10 <sup>2</sup>	I	I1Z
9	-OE	I	I3U	9	-OE	I	I3U	9	-ATA SEL	I	I3U
10	A09	I	I1Z	10	A09	I	I1Z	10	A09 <sup>2</sup>	I	I1Z
11	A08	I	I1Z	11	A08	I	I1Z	11	A08 <sup>2</sup>	I	I1Z
12	A07	I	I1Z	12	A07	I	I1Z	12	A07 <sup>2</sup>	I	I1Z
13	VCC		Power	13	VCC		Power	13	VCC		Power
14	A06	I	I1Z	14	A06	I	I1Z	14	A06 <sup>2</sup>	I	I1Z
15	A05	I	I1Z	15	A05	I	I1Z	15	A05 <sup>2</sup>	I	I1Z
16	A04	I	I1Z	16	A04	I	I1Z	16	A04 <sup>2</sup>	I	I1Z
17	A03	I	I1Z	17	A03	I	I1Z	17	A03 <sup>2</sup>	I	I1Z
18	A02	I	I1Z	18	A02	I	I1Z	18	A02	I	I1Z
19	A01	I	I1Z	19	A01	I	I1Z	19	A01	I	I1Z
20	A00	I	I1Z	20	A00	I	I1Z	20	A00	I	I1Z
21	D00	I/O	I1Z, OZ3	21	D00	I/O	I1Z, OZ3	21	D00	I/O	I1Z, OZ3
22	D01	I/O	I1Z, OZ3	22	D01	I/O	I1Z, OZ3	22	D01	I/O	I1Z, OZ3
23	D02	I/O	I1Z, OZ3	23	D02	I/O	I1Z, OZ3	23	D02	I/O	I1Z, OZ3
24	WP	O	OT3	24	-IOIS16	O	OT3	24	-IOCS16	O	ON3
25	-CD2	O	Ground	25	-CD2	O	Ground	25	-CD2	O	Ground
26	-CD1	O	Ground	26	-CD1	O	Ground	26	-CD1	O	Ground
27	D11 <sup>1</sup>	I/O	I1Z, OZ3	27	D11 <sup>1</sup>	I/O	I1Z, OZ3	27	D11 <sup>1</sup>	I/O	I1Z, OZ3
28	D12 <sup>1</sup>	I/O	I1Z, OZ3	28	D12 <sup>1</sup>	I/O	I1Z, OZ3	28	D12 <sup>1</sup>	I/O	I1Z, OZ3
29	D13 <sup>1</sup>	I/O	I1Z, OZ3	29	D13 <sup>1</sup>	I/O	I1Z, OZ3	29	D13 <sup>1</sup>	I/O	I1Z, OZ3
30	D14 <sup>1</sup>	I/O	I1Z, OZ3	30	D14 <sup>1</sup>	I/O	I1Z, OZ3	30	D14 <sup>1</sup>	I/O	I1Z, OZ3
31	D15 <sup>1</sup>	I/O	I1Z, OZ3	31	D15 <sup>1</sup>	I/O	I1Z, OZ3	31	D15 <sup>1</sup>	I/O	I1Z, OZ3
32	-CE2 <sup>1</sup>	I	I3U	32	-CE2 <sup>1</sup>	I	I3U	32	-CS1 <sup>1</sup>	I	I3Z

PC Card Memory Mode				PC Card I/O Mode				True IDE Mode <sup>4</sup>			
Pin Num	Signal Name	Pin Type	In, Out Type	Pin Num	Signal Name	Pin Type	In, Out Type	Pin Num	Signal Name	Pin Type	In, Out Type
33	-VS1	O	Ground	33	-VS1	O	Ground	33	-VS1	O	Ground
34	-IORD	I	I3U	34	-IORD	I	I3U	34	-IORD	I	I3Z
35	-IOWR	I	I3U	35	-IOWR	I	I3U	35	-IOWR	I	I3Z
36	-WE	I	I3U	36	-WE	I	I3U	36	-WE <sup>3</sup>	I	I3U
37	READY	O	OT1	37	-IREQ	O	OT1	37	INTRQ	O	OZ1
38	VCC		Power	38	VCC		Power	38	VCC		Power
39	-CSEL <sup>5</sup>	I	I2Z	39	-CSEL <sup>5</sup>	I	I2Z	39	-CSEL	I	I2U
40	-VS2	O	OPEN	40	-VS2	O	OPEN	40	-VS2	O	OPEN
41	RESET	I	I2Z	41	RESET	I	I2Z	41	-RESET	I	I2Z
42	-WAIT	O	OT1	42	-WAIT	O	OT1	42	IORDY	O	ON1
43	-INPACK	O	OT1	43	-INPACK	O	OT1	43	DMARQ	O	OZ1
44	-REG	I	I3U	44	-REG	I	I3U	44	-DMACK <sup>6</sup>	I	I3U
45	BVD2	O	OT1	45	-SPKR	O	OT1	45	-DASP	I/O	I1U, ON1
46	BVD1	O	OT1	46	-STSCHG	O	OT1	46	-PDIAG	I/O	I1U, ON1
47	D08 <sup>1</sup>	I/O	I1Z, OZ3	47	D08 <sup>1</sup>	I/O	I1Z, OZ3	47	D08 <sup>1</sup>	I/O	I1Z, OZ3
48	D09 <sup>1</sup>	I/O	I1Z, OZ3	48	D09 <sup>1</sup>	I/O	I1Z, OZ3	48	D09 <sup>1</sup>	I/O	I1Z, OZ3
49	D10 <sup>1</sup>	I/O	I1Z, OZ3	49	D10 <sup>1</sup>	I/O	I1Z, OZ3	49	D10 <sup>1</sup>	I/O	I1Z, OZ3
50	GND		Ground	50	GND		Ground	50	GND		Ground

**Note:**

- 1) These signals are required only for 16 bit accesses and not required when installed in 8 bit systems. Devices should allow for 3-state signals not to consume current.
- 2) The signal should be grounded by the host.
- 3) The signal should be tied to VCC by the host.
- 4) The mode is required for CompactFlash Storage Cards.
- 5) The -CSEL signal is ignored by the card in PC Card modes. However, because it is not pulled upon the card in these modes, it should not be left floating by the host in PC Card modes. In these modes, the pin should be connected by the host to PC Card A25 or grounded by the host.
- 6) If DMA operations are not used, the signal should be held high or tied to VCC by the host. For proper operation in older hosts: while DMA operations are not active, the card shall ignore this signal, including a floating condition

**TS32M~1GCF80**
**3.2 Signal Description**

Signal Name	Dir.	Pin	Description
A10 – A00 (PC Card Memory Mode)	I	8,10,11,12, 14,15,16,17, 18,19,20	These address lines along with the -REG signal are used to select the following: The I/O port address registers within the CompactFlash Storage Card , the memory mapped port address registers within the CompactFlash Storage Card, a byte in the card's information structure and its configuration control and status registers.
A10 – A00 (PC Card I/O Mode)	I		This signal is the same as the PC Card Memory Mode signal.
A02 - A00 (True IDE Mode)		18,19,20	In True IDE Mode, only A[02:00] are used to select the one of eight registers in the Task File, the remaining address lines should be grounded by the host.
BVD1 (PC Card Memory Mode)	I/O	46	This signal is asserted high, as BVD1 is not supported.
-STSCHG (PC Card I/O Mode) Status Changed			This signal is asserted low to alert the host to changes in the READY and Write Protect states, while the I/O interface is configured. Its use is controlled by the Card Config and Status Register.
-PDIAG (True IDE Mode)			In the True IDE Mode, this input / output is the Pass Diagnostic signal in the Master / Slave handshake protocol.
BVD2 (PC Card Memory Mode)	I/O	45	This signal is asserted high, as BVD2 is not supported.
-SPKR (PC Card I/O Mode)			This line is the Binary Audio output from the card. If the Card does not support the Binary Audio function, this line should be held negated.
-DASP (True IDE Mode)			In the True IDE Mode, this input/output is the Disk Active/Slave Present signal in the Master/Slave handshake protocol.

## TS32M~1GCF80

### 80X CompactFlash Card

-CD1, -CD2 (PC Card Memory Mode)	<b>O</b>	26,25	These Card Detect pins are connected to ground on the CompactFlash Storage Card. They are used by the host to determine that the CompactFlash Storage Card is fully inserted into its socket.
-CD1, -CD2 (PC Card I/O Mode)			This signal is the same for all modes.
-CD1, -CD2 (True IDE Mode)			This signal is the same for all modes.
<b>Signal Name</b>	<b>Dir.</b>	<b>Pin</b>	<b>Description</b>
-CE1, -CE2 (PC Card Memory Mode) Card Enable	<b>I</b>	7,32	These input signals are used both to select the card and to indicate to the card whether a byte or a word operation is being performed. -CE2 always accesses the odd byte of the word.-CE1 accesses the even byte or the Odd byte of the word depending on A0 and -CE2. A multiplexing scheme based on A0,-CE1, -CE2 allows 8 bit hosts to access all data on D0-D7. See Table 27, Table 29, Table 31, Table 35, Table 36 and Table 37.
-CE1, -CE2 (PC Card I/O Mode) Card Enable			This signal is the same as the PC Card Memory Mode signal.
-CS0, -CS1 (True IDE Mode)			In the True IDE Mode, -CS0 is the address range select for the task file registers while -CS1 is used to select the Alternate Status Register and the Device Control Register.  While -DMACK is asserted, -CS0 and -CS1 shall be held negated and the width of the transfers shall be 16 bits.
-CSEL (PC Card Memory Mode)	<b>I</b>	39	This signal is not used for this mode, but should be connected by the host to PC Card A25 or grounded by the host.
-CSEL (PC Card I/O Mode)			This signal is not used for this mode, but should be connected by the host to PC Card A25 or grounded by the host.
-CSEL (True IDE Mode)			This internally pulled up signal is used to configure this device as a Master or a Slave when configured in the True IDE Mode.  When this pin is grounded, this device is configured as a Master.  When the pin is open, this device is configured as a Slave.



## TS32M~1GCF80

### 80X CompactFlash Card

D15 - D00 (PC Card Memory Mode)	I/O	31,30,29,28, 27,49,48,47, 6,5,4,3,2, 23, 22, 21	These lines carry the Data, Commands and Status information between the host and the controller. D00 is the LSB of the Even Byte of the Word. D08 is the LSB of the Odd Byte of the Word.
D15 - D00 (PC Card I/O Mode)			This signal is the same as the PC Card Memory Mode signal.
D15 - D00 (True IDE Mode)			In True IDE Mode, all Task File operations occur in byte mode on the low order bus D[7:0] while all data transfers are 16 bit using D[15:0].
GND (PC Card Memory Mode)	--	1,50	Ground.
GND (PC Card I/O Mode)			This signal is the same for all modes.
GND (True IDE Mode)			This signal is the same for all modes.
<b>Signal Name</b>	<b>Dir.</b>	<b>Pin</b>	<b>Description</b>
-INPACK (PC Card Memory Mode)	O	43	This signal is not used in this mode.
-INPACK (PC Card I/O Mode) Input Acknowledge			The Input Acknowledge signal is asserted by the CompactFlash Storage Card when the card is selected and responding to an I/O read cycle at the address that is on the address bus. This signal is used by the host to control the enable of any input data buffers between the CompactFlash Storage Card and the CPU.
DMARQ (True IDE Mode)			<p>This signal is a DMA Request that is used for DMA data transfers between host and device. It shall be asserted by the device when it is ready to transfer data to or from the host. For Multiword DMA transfers, the direction of data transfer is controlled by -IORD and -IOWR. This signal is used in a handshake manner with -DMACK, i.e., the device shall wait until the host asserts -DMACK before negating DMARQ, and reasserting DMARQ if there is more data to transfer.</p> <p>DMARQ shall not be driven when the device is not selected.</p> <p>While a DMA operation is in progress, -CS0 and -CS1 shall be held negated and the width of the transfers shall be 16 bits.</p> <p>If there is no hardware support for DMA mode in the host, this output signal is not used and should not be connected at the host. In this case, the BIOS must report that DMA mode is not supported by the host so that device drivers will not attempt DMA mode.</p> <p>A host that does not support DMA mode and implements both PCMCIA and True-IDE modes of operation need not alter the PCMCIA mode connections while in True-IDE mode as long as this does not prevent proper operation in any mode.</p>

-IORD (PC Card Memory Mode)	<b>I</b>	34	This signal is not used in this mode.
-IORD (PC Card I/O Mode)			This is an I/O Read strobe generated by the host. This signal gates I/O data onto the bus from the CompactFlash Storage Card when the card is configured to use the I/O interface.
-IORD (True IDE Mode )			In True IDE Mode, this signal has the same function as in PC Card I/O Mode.
-IOWR (PC Card Memory Mode)	<b>I</b>	35	This signal is not used in this mode.
-IOWR (PC Card I/O Mode)			The I/O Write strobe pulse is used to clock I/O data on the Card Data bus into the CompactFlash Storage Card controller registers when the CompactFlash Storage Card is configured to use the I/O interface. The clocking shall occur on the negative to positive edge of the signal (trailing edge).
-IOWR (True IDE Mode)			In True IDE Mode, this signal has the same function as in PC Card I/O Mode.
<b>Signal Name</b>	<b>Dir.</b>	<b>Pin</b>	<b>Description</b>
-OE (PC Card Memory Mode)	<b>I</b>	9	This is an Output Enable strobe generated by the host interface. It is used to read data from the CompactFlash Storage Card in Memory Mode and to read the CIS and configuration registers.
-OE (PC Card I/O Mode)			In PC Card I/O Mode, this signal is used to read the CIS and configuration registers.
-ATA SEL (True IDE Mode)			To enable True IDE Mode this input should be grounded by the host.
READY (PC Card Memory Mode)	<b>O</b>	37	In Memory Mode, this signal is set high when the CompactFlash Storage Card is ready to accept a new data transfer operation and is held low when the card is busy.  At power up and at Reset, the READY signal is held low (busy) until the CompactFlash Storage Card has completed its power up or reset function. No access of any type should be made to the CompactFlash Storage Card during this time.  Note, however, that when a card is powered up and used with RESET continuously disconnected or asserted, the Reset function of the RESET pin is disabled. Consequently, the continuous assertion of RESET from the application of power shall not cause the READY signal to remain continuously in the busy state.
-IREQ (PC Card I/O Mode)			I/O Operation – After the CompactFlash Storage Card Card has been configured for I/O operation, this signal is used as -Interrupt Request. This line is strobed low to generate a pulse mode interrupt or held low for a level mode interrupt.
INTRQ (True IDE Mode)			In True IDE Mode signal is the active high Interrupt Request to the host.

-REG (PC Card Memory Mode) Attribute Memory Select	I	44	This signal is used during Memory Cycles to distinguish between Common Memory and Register (Attribute) Memory accesses. High for Common Memory, Low for Attribute Memory.
-REG (PC Card I/O Mode)			The signal shall also be active (low) during I/O Cycles when the I/O address is on the Bus.
-DMACK (True IDE Mode)			<p>This is a DMA Acknowledge signal that is asserted by the host in response to DMARQ to initiate DMA transfers.</p> <p>While DMA operations are not active, the card shall ignore the -DMACK signal, including a floating condition.</p> <p>If DMA operation is not supported by a True IDE Mode only host, this signal should be driven high or connected to VCC by the host.</p> <p>A host that does not support DMA mode and implements both PCMCIA and True-IDE modes of operation need not alter the PCMCIA mode connections while in True-IDE mode as long as this does not prevent proper operation all modes.</p>
<b>Signal Name</b>	<b>Dir.</b>	<b>Pin</b>	<b>Description</b>
RESET (PC Card Memory Mode)	I	41	<p>The CompactFlash Storage Card is Reset when the RESET pin is high with the following important exception:</p> <p>The host may leave the RESET pin open or keep it continually high from the application of power without causing a continuous Reset of the card. Under either of these conditions, the card shall emerge from power-up having completed an initial Reset.</p> <p>The CompactFlash Storage Card is also Reset when the Soft Reset bit in the Card Configuration Option Register is set.</p>
RESET (PC Card I/O Mode)			This signal is the same as the PC Card Memory Mode signal.
-RESET (True IDE Mode)			In the True IDE Mode, this input pin is the active low hardware reset from the host.
VCC (PC Card Memory Mode)	--	13,38	+5 V, +3.3 V power.
VCC (PC Card I/O Mode)			This signal is the same for all modes.
VCC (True IDE Mode)			This signal is the same for all modes.

## TS32M~1GCF80

### 80X CompactFlash Card

-VS1 -VS2 (PC Card Memory Mode)	O	33 40	Voltage Sense Signals. -VS1 is grounded on the Card and sensed by the Host so that the CompactFlash Storage Card CIS can be read at 3.3 volts and -VS2 is reserved by PCMCIA for a secondary voltage and is not connected on the Card.
-VS1 -VS2 (PC Card I/O Mode)			This signal is the same for all modes.
-VS1 -VS2 (True IDE Mode)			This signal is the same for all modes.
-WAIT (PC Card Memory Mode)	O	42	The -WAIT signal is driven low by the CompactFlash Storage Card to signal the host to delay completion of a memory or I/O cycle that is in progress.
-WAIT (PC Card I/O Mode)			This signal is the same as the PC Card Memory Mode signal.
IORDY (True IDE Mode)			In True IDE Mode, except in Ultra DMA modes, this output signal may be used as IORDY.
<b>Signal Name</b>	<b>Dir.</b>	<b>Pin</b>	<b>Description</b>
-WE (PC Card Memory Mode)	I	36	This is a signal driven by the host and used for strobing memory write data to the registers of the CompactFlash Storage Card when the card is configured in the memory interface mode. It is also used for writing the configuration registers.
-WE (PC Card I/O Mode)			In PC Card I/O Mode, this signal is used for writing the configuration registers.
-WE (True IDE Mode)			In True IDE Mode, this input signal is not used and should be connected to VCC by the host.
WP (PC Card Memory Mode) Write Protect	O	24	Memory Mode – The CompactFlash Storage Card does not have a write protect switch. This signal is held low after the completion of the reset initialization sequence.
-IOIS16 (PC Card I/O Mode)			I/O Operation – When the CompactFlash Storage Card is configured for I/O Operation Pin 24 is used for the -I/O Selected is 16 Bit Port (-IOIS16) function. A Low signal indicates that a 16 bit or odd byte only operation can be performed at the addressed port.
-IOCS16 (True IDE Mode)			In True IDE Mode this output signal is asserted low when this device is expecting a word data transfer cycle.

### 3.3 Electrical Specification

The following tables indicate all D.C. Characteristics for the CompactFlash Storage Card. Unless otherwise stated, conditions are:

Vcc = 5V ±10%

Vcc = 3.3V ± 5%

■ **Absolute Maximum Conditions**

Parameter	Symbol	Conditions
Input Power	Vcc	-0.3V min. to 6.5V max.
Voltage on any pin except Vcc with respect to GND.	V	-0.5V min. to Vcc + 0.5V max.

■ **Input Power**

Voltage	Maximum Average RMS Current	Measurement Method
3.3V ± 5%	75 mA (500 mA in Power Level 1)	3.3V at 25°C
5.0V ± 10%	100 mA (500 mA in Power Level 1)	5.0V at 25°C

#### 3.3.1 Input Leakage Current

Type	Parameter	Symbol	Conditions	MIN	TYP	MAX	Units
IxZ	Input Leakage Current	IL	Vih = Vcc / Vil = Gnd	-1		1	µA
IxU	Pull-Up Resistor	RPU1	Vcc = 5.0V	50k		500k	Ohm
IxD	Pull-Down Resistor	RPD1	Vcc = 5.0V	50k		500k	Ohm

**3.3.2 Input Characteristics**

**3.3.2.1 CompactFlash interface I/O at 5.0V**

Parameter	Symbol	Min.	Max.	Unit	Remark
Supply Voltage	V <sub>CC</sub>	4.5	5.5	V	
High level output voltage	V <sub>OH</sub>	V <sub>CC</sub> -0.8		V	
Low level output voltage	V <sub>OL</sub>		0.8	V	
High level input voltage	V <sub>IH</sub>	4.0		V	Non-schmitt trigger
		2.6		V	Schmitt trigger <sup>1</sup>
Low level input voltage	V <sub>IL</sub>		0.8	V	Non-schmitt trigger
			1.79	V	Schmitt trigger <sup>1</sup>
Pull up resistance <sup>2</sup>	R <sub>PU</sub>	52.54	86.56	kOhm	
Pull down resistance	R <sub>PD</sub>	63	244	kOhm	

## TS32M~1GCF80

### 3.3.2.2 CompactFlash interface I/O at 3.3V

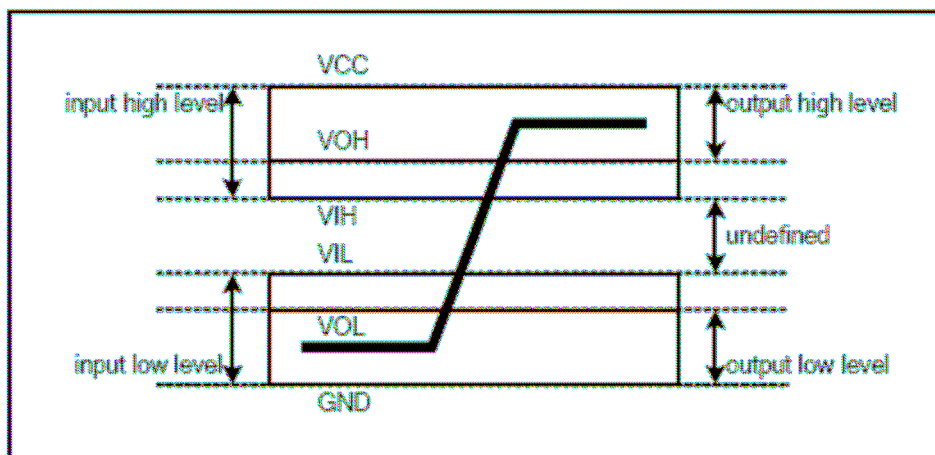
Parameter	Symbol	Min.	Max.	Unit	Remark
Supply Voltage	$V_{CC}$	3.135	3.465	V	
High level output voltage	$V_{OH}$	$V_{CC}-0.8$		V	
Low level output voltage	$V_{OL}$		0.8	V	
High level input voltage	$V_{IH}$	2.4		V	Non-schmitt trigger
		1.67		V	Schmitt trigger <sup>1</sup>
Low level input voltage	$V_{IL}$		0.6	V	Non-schmitt trigger
			1.07	V	Schmitt trigger <sup>1</sup>
Pull up resistance <sup>2</sup>	$R_{PU}$	81.39	154.85	kOhm	
Pull down resistance	$R_{PD}$	42	172	kOhm	

### 3.3.2.3 The I/O pins other than CompactFlash interface

Parameter	Symbol	Min.	Max.	Unit	Remark
Supply Voltage	$V_{CC}$	3.135	3.465	V	
High level output voltage	$V_{OH}$	2.4		V	
Low level output voltage	$V_{OL}$		0.4	V	
High level input voltage	$V_{IH}$	2.0		V	Non-schmitt trigger
		1.4		V	Schmitt trigger
Low level input voltage	$V_{IL}$		0.8	V	Non-schmitt trigger
			1.2	V	Schmitt trigger
Pull up resistance	$R_{PU}$	40		kOhm	
Pull down resistance	$R_{PD}$	40		kOhm	

1. Include CE1,CE2 ,HREG ,HOE ,HIOE ,HWE ,HIOW pins.

2. Include CE1,CE2 ,HREG ,HOE , HIOE ,HWE ,HIOW ,CSEL ,PDIAG ,DASP pins.



**TS32M~1GCF80**
**3.3.3 Output Drive Type**

Type	Output Type	Valid Conditions
OTx	Totempole	Ioh & Iol
OZx	Tri-State N-P Channel	Ioh & Iol
OPx	P-Channel Only	Ioh Only
ONx	N-Channel Only	Iol Only

**3.3.4 Output Drive Characteristics**

Type	Parameter	Symbol	Conditions	MIN	TYP	MAX	Units
1	Output Voltage	Voh	Ioh = -4 mA	Vcc -0.8V		Gnd +0.4V	Volts
		Vol	Iol = 4 mA				
2	Output Voltage	Voh	Ioh = -4 mA	Vcc -0.8V		Gnd +0.4V	Volts
		Vol	Iol = 4 mA				
3	Output Voltage	Voh	Ioh = -4 mA	Vcc -0.8V		Gnd +0.4V	Volts
		Vol	Iol = 4 mA				
X	Tri-State Leakage Current	Ioz	Vol = Gnd Voh = Vcc	-10		10	μA



## TS32M~1GCF80

### 3.4 Signal Interface

Electrical specifications shall be maintained to ensure data reliability.

Item	Signal	Card <sup>10</sup>	Host <sup>10</sup>
Control Signal	-CE1 -CE2 -REG -IORD -IOWR	Pull-up to V <sub>CC</sub> 500 KΩ ≥ R ≥ 50 KΩ and shall be sufficient to keep inputs inactive when the pins are not connected at the host. <sup>1</sup>	
	-OE -WE	Pull-up to V <sub>CC</sub> 500 KΩ ≥ R ≥ 50 KΩ . <sup>1,2</sup>	
	RESET	Pull-up to V <sub>CC</sub> 500 KΩ ≥ R ≥ 50 KΩ . <sup>1,2,9,</sup>	
Status Signal	READY -WAIT WP		Pull-up to V <sub>CC</sub> R ≥ 10 KΩ . <sup>3</sup>
	-INPACK		In PCMCIA PC Card modes Pull-up to V <sub>CC</sub> R ≥ 10 KΩ . <sup>4</sup>  In True IDE mode, if DMA operation is supported by the host, Pull-down to Gnd R ≥ 5.6 KΩ . <sup>5</sup>  PC Card / True IDE hosts switch the pull-up to pull down in True IDE mode if DMA operation is supported.  The PC Card mode Pull-up may be left active during True IDE mode if True IDE DMA operation is not supported.
Address	A[10:00] -CSEL		
Data Bus	D[15:00]		1.
Card Detect	-CD[2:1]	Connected to GND in the card	
Voltage Sense	-VS1 -VS2		Pull-up to V <sub>CC</sub> 10 KΩ ≤ R ≤ 100KΩ .
Battery/Detect	BVD[2:1]		Pull-up R ≥ 50 KΩ . <sup>3,6</sup>

Notes: 1) Control Signals: each card shall present a load to the socket no larger than 50 pF<sub>10</sub> at a DC current of 700 μ A low state and 150 μ A high state, including pull-resistor. The socket shall be able to drive at least the following load<sub>10</sub> while meeting all AC timing requirements: (the number of sockets wired in parallel) multiplied by (50 pF with DC current 700 μ A low state and 150 μ A high state per socket).

2) Resistor is optional.

3) Status Signals: the socket shall present a load to the card no larger than 50 pF<sub>10</sub> at a DC current of 400 μ A low state and 100 μ A high state, including pull-up resistor. The card shall be able to drive at least the following load<sub>10</sub> while meeting all AC timing requirements: 50 pF at a DC current of 400 μ A low state and 100 μ A high state.

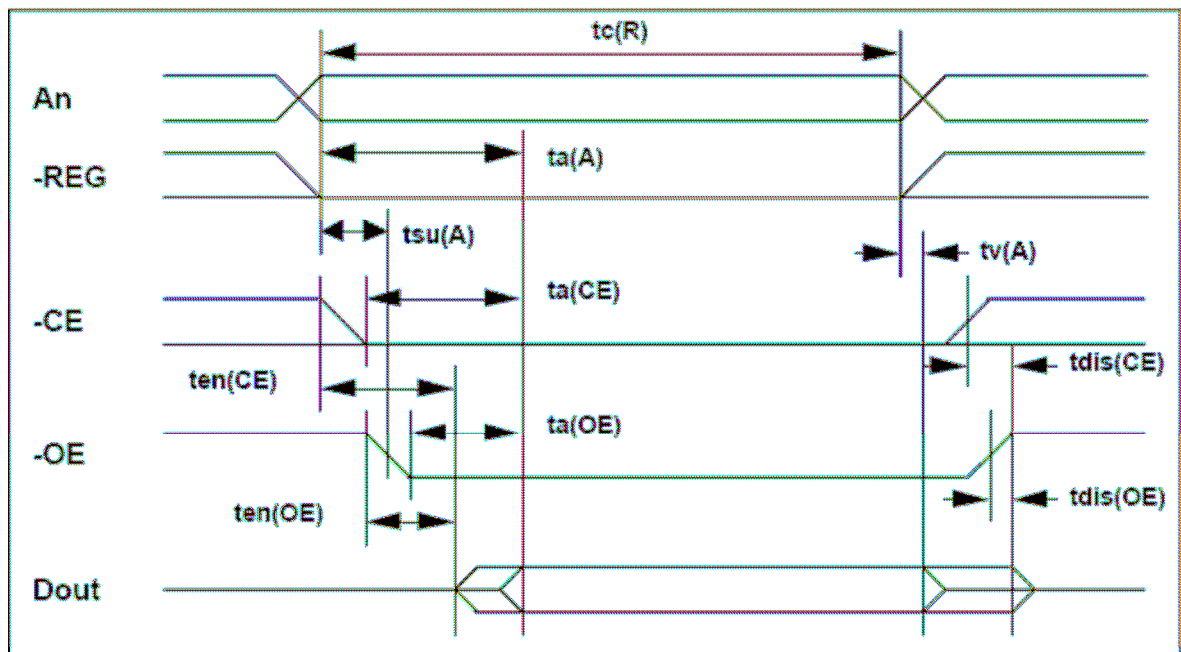
4) Status Signals: the socket shall present a load to the card no larger than 50 pF<sub>10</sub> at a DC current of 400 μ A low state and 100 μ A high state, including pull-up resistor. The card shall be able to drive at least the following load<sub>10</sub> while

**TS32M~1GCF80**

- meeting all AC timing requirements: 50 pF at a DC current of 400  $\mu$  A low state and 100  $\mu$  A high state.
- 5) Status Signals: the socket shall present a load to the card no larger than 50 pF<sub>10</sub> at a DC current of 400  $\mu$  A low state and 100  $\mu$  A high state, including pull-up resistor. The card shall be able to drive at least the following load<sub>10</sub> while meeting all AC timing requirements: 50 pF at a DC current of 400  $\mu$  A low state and 1100  $\mu$  A high state.
  - 6) BVD2 was not defined in the JEIDA 3.0 release. Systems fully supporting JEIDA release 3 SRAM cards shall pull-up pin 45 (BVD2) to avoid sensing their batteries as "Low."
  - 7) Address Signals: each card shall present a load of no more than 100pF<sub>10</sub> at a DC current of 450 $\mu$  A low state and 150 $\mu$  A high state. The host shall be able to drive at least the following load<sub>10</sub> while meeting all AC timing requirements: (the number of sockets wired in parallel) multiplied by (100pF with DC current 450 $\mu$  A low state and 150 $\mu$  A high state per socket).
  - 8) Data Signals: the host and each card shall present a load no larger than 50pF<sub>10</sub> at a DC current of 450 $\mu$  A and 150  $\mu$  A high state. The host and each card shall be able to drive at least the following load<sub>10</sub> while meeting all AC timing requirements: 100pF with DC current 1.6mA low state and 300 $\mu$  A high state. This permits the host to wire two sockets in parallel without derating the card access speeds.
  - 9) Reset Signal: This signal is pulled up to prevent the input from floating when a CFA to PCMCIA adapter is used in a PCMCIA revision 1 host. However, to minimize DC current drain through the pull-up resistor in normal operation the pull-up should be turned off once the Reset signal has been actively driven low by the host. Consequently, the input is specified as an I2Z because the resistor is not necessarily detectable in the input current leakage test.

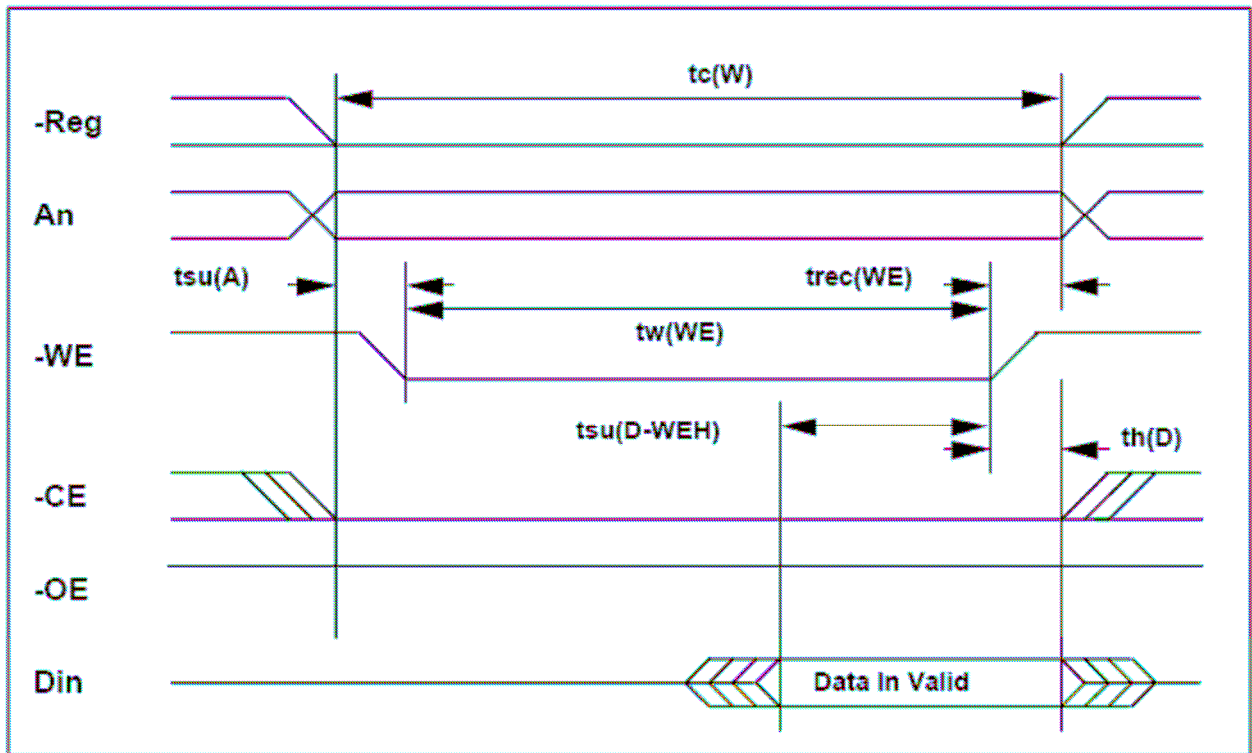
**TS32M~1GCF80**
**3.5 Attribute Memory Read Timing**

Speed Version		300 ns	
Item	Symbol	Min ns.	Max ns.
Read Cycle Time	tc(R)	300	
Address Access Time	ta(HA)		300
Card Enable Access Time	ta(CEx)		300
Output Enable Access Time	ta(HOE)		150
Output Disable Time from CEx	tdis(CEx)		100
Output Disable Time from HOE	tdis(HOE)		100
Address Setup Time	tsu(HA)	30	
Output Enable Time from CEx	ten(CEx)	5	
Output Enable Time from HOE	ten(HOE)	5	
Data Valid from Address Change	tv(HA)	0	


**Figure: Attribute Memory Read Timing Diagram**

**TS32M~1GCF80**
**3.6 Configuration Register (Attribute Memory) Write Timing**

Speed Version		250 ns	
Item	Symbol	Min ns	Max ns
Write Cycle Time	tc(W)	250	
Write Pulse Width	tw(HWE)	150	
Address Setup Time	tsu(HA)	30	
Write Recovery Time	trec(HWE)	30	
Data Setup Time for HWE	tsu(HD-HWEH)	80	
Data Hold Time	th(HD)	30	

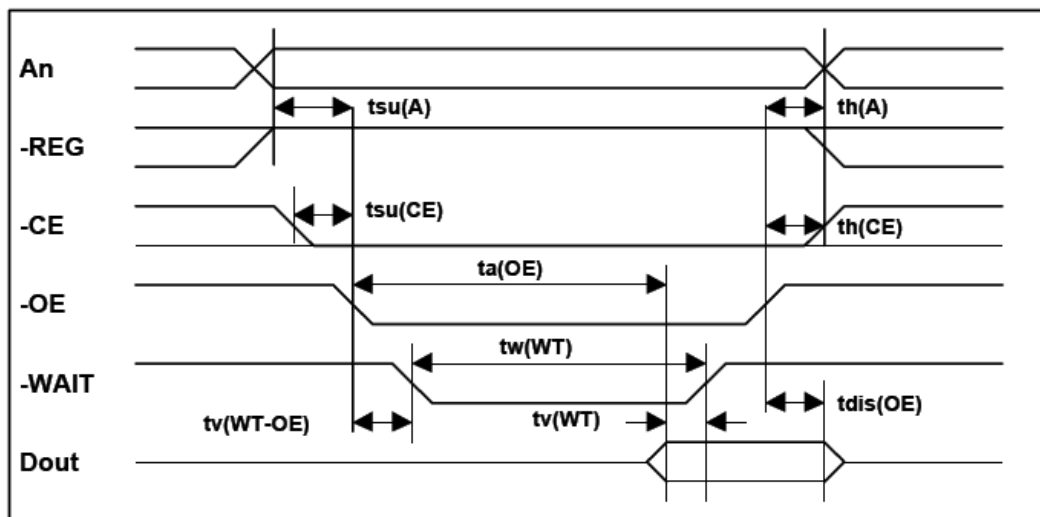

**Figure: Configuration Register (Attribute Memory) Write Timing Diagram**

**TS32M~1GCF80**
**3.7 Common Memory Read Timing Specification**

Cycle Time Mode:			250 ns		120 ns		100 ns		80 ns	
Item	Symbol	IEEE Symbol	Min ns.	Max ns.	Min ns.	Max ns.	Min ns.	Max ns.	Min ns.	Max ns.
Output Enable Access Time	ta(OE)	tGLQV		125		60		50		45
Output Disable Time from OE	t <sub>dis</sub> (OE)	tGHQZ		100		60		50		45
Address Setup Time	tsu(A)	tAVGL	30		15		10		10	
Address Hold Time	th(A)	tGHAX	20		15		15		10	
CE Setup before OE	tsu(CE)	tELGL	0		0		0		0	
CE Hold following OE	th(CE)	tGHEH	20		15		15		10	
Wait Delay Falling from OE	tv(WT-OE)	tGLWTV		35		35		35		na <sup>1</sup>
Data Setup for Wait Release	tv(WT)	tQVWTH		0		0		0		na <sup>1</sup>
Wait Width Time <sup>2</sup>	tw(WT)	tWTLWTH		350		350		350		na <sup>1</sup>

Notes:1) -WAIT is not supported in this mode.

2) The maximum load on -WAIT is 1 LSTTL with 50 pF (40pF below 120nsec Cycle Time) total load. All times are in nanoseconds. Dout signifies data provided by the CompactFlash Storage Card to the system. The -WAIT signal may be ignored if the -OE cycle to cycle time is greater than the Wait Width time. The Max Wait Width time can be determined from the Card Information Structure. The Wait Width time meets the PCMCIA PC Card specification of 12μs but is intentionally less in this specification.

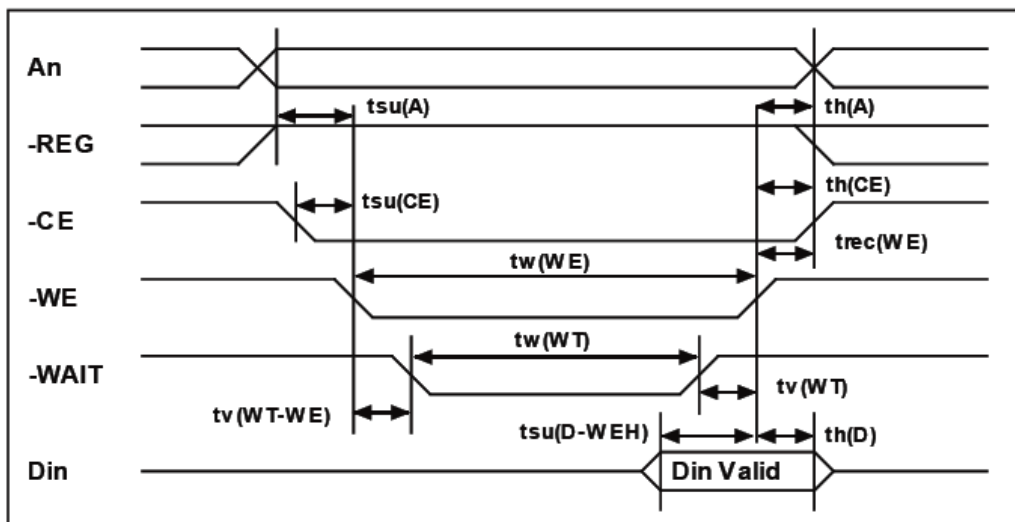


**TS32M~1GCF80**
**3.8 Common Memory Write Timing Specification**

Item	Symbol	IEEE Symbol	Cycle Time Mode:		250 ns		120 ns		100 ns		80 ns	
			Min ns.	Max ns.	Min ns.	Max ns.	Min ns.	Max ns.	Min ns.	Max ns.		
Data Setup before WE	tsu (D-WEH)	tDVWH	80		50		40		30			
Data Hold following WE	th(D)	tWMDX	30		15		10		10			
WE Pulse Width	tw(WE)	tWLWH	150		70		60		55			
Address Setup Time	tsu(A)	tAVWL	30		15		10		10			
CE Setup before WE	tsu(CE)	tELWL	0		0		0		0			
Write Recovery Time	trec(WE)	tWMAX	30		15		15		15			
Address Hold Time	th(A)	tGHAX	20		15		15		15			
CE Hold following WE	th(CE)	tGHEH	20		15		15		10			
Wait Delay Falling from WE	tv (WT-WE)	tWLWTV		35		35		35				na <sup>1</sup>
WE High from Wait Release	tv(WT)	tWTHWH	0		0		0					na <sup>1</sup>
Wait Width Time <sub>2</sub>	tw (WT)	tWTLWTH		350		350		350				na <sup>1</sup>

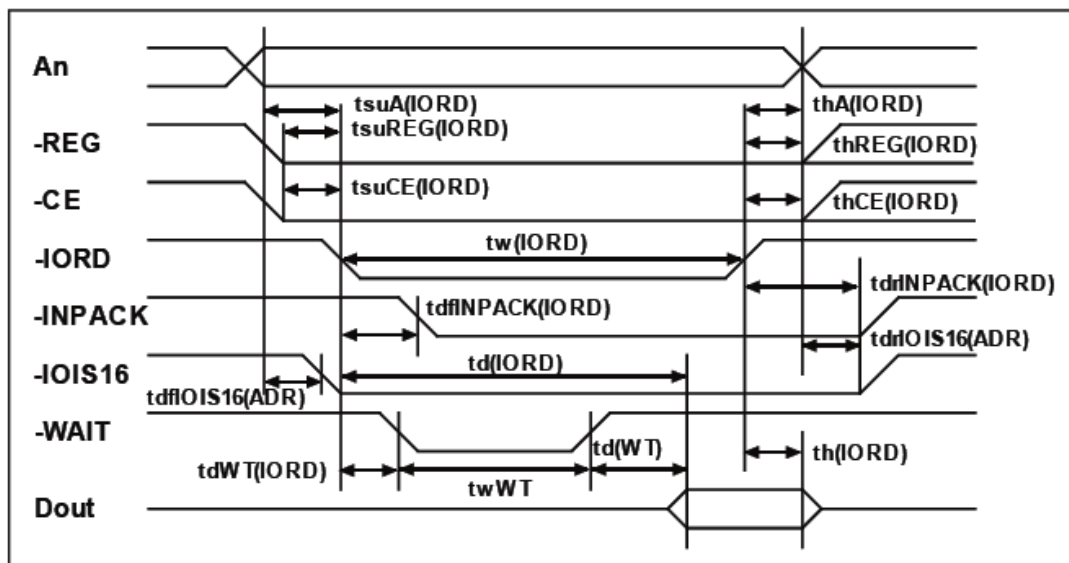
Notes: 1) -WAIT is not supported in this mode.

2) The maximum load on -WAIT is 1 LSTTL with 50 pF (40pF below 120nsec Cycle Time) total load. All times are in nanoseconds. Din signifies data provided by the system to the CompactFlash Storage Card. The -WAIT signal may be ignored if the -WE cycle to cycle time is greater than the Wait Width time. The Max Wait Width time can be determined from the Card Information Structure. The Wait Width time meets the PCMCIA PC Card specification of 12μs but is intentionally less in this specification.



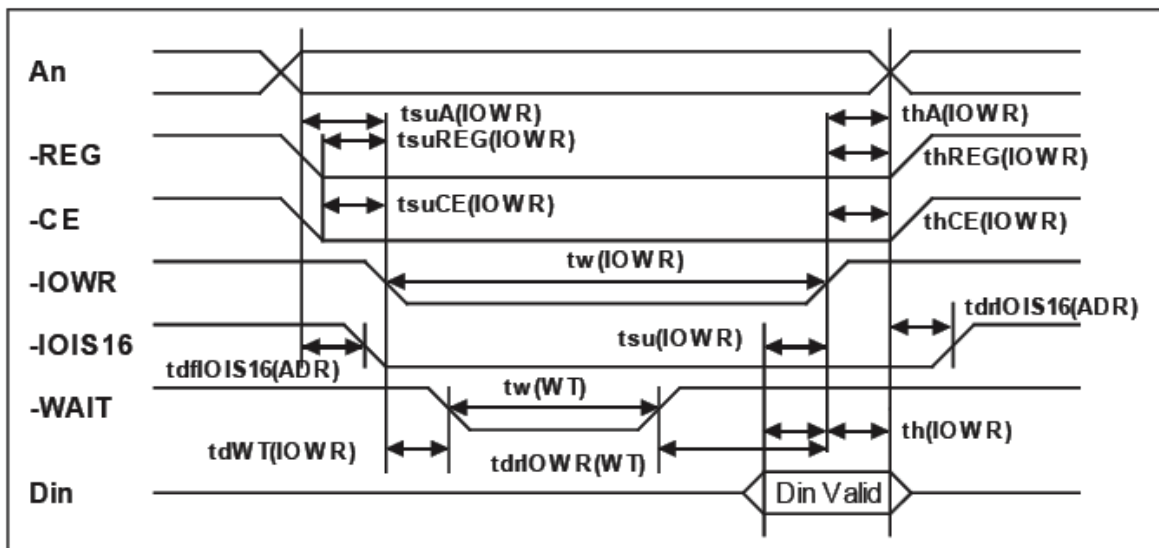
**TS32M~1GCF80**
**3.9 I/O Input (Read) Timing Specification**

Item	Symbol	IEEE Symbol	Cycle Time Mode:		250 ns		120 ns		100 ns		80 ns	
			Min ns.	Max ns.	Min ns.	Max ns.	Min ns.	Max ns.	Min ns.	Max ns.		
Data Delay after IORD	td(IORD)	t <sub>IGLQV</sub>		100		50		50		45		
Data Hold following IORD	th(IORD)	t <sub>IGHQX</sub>	0		5		5		5		5	
IORD Width Time	tw(IORD)	t <sub>IGLIGH</sub>	165		70		65		55			
Address Setup before IORD	tsuA(IORD)	t <sub>AVIGL</sub>	70		25		25		15			
Address Hold following IORD	thA(IORD)	t <sub>IGHAX</sub>	20		10		10		10		10	
CE Setup before IORD	tsuCE(IORD)	t <sub>ELIGL</sub>	5		5		5		5		5	
CE Hold following IORD	thCE(IORD)	t <sub>IGHEH</sub>	20		10		10		10		10	
REG Setup before IORD	tsuREG (IORD)	t <sub>RGLIGL</sub>	5		5		5		5		5	
REG Hold following IORD	thREG (IORD)	t <sub>IGHRGH</sub>	0		0		0		0		0	
INPACK Delay Falling from IORD <sup>3</sup>	tdfINPACK (IORD)	t <sub>IGLIAL</sub>	0	45	0	na <sup>1</sup>	0	na <sup>1</sup>	0	na <sup>1</sup>	0	na <sup>1</sup>
INPACK Delay Rising from IORD <sup>3</sup>	tdrINPACK (IORD)	t <sub>IGHIAH</sub>		45		na <sup>1</sup>		na <sup>1</sup>		na <sup>1</sup>		na <sup>1</sup>
IOIS16 Delay Falling from Address <sup>3</sup>	tdfIOIS16 (ADR)	t <sub>AVISL</sub>		35		na <sup>1</sup>		na <sup>1</sup>		na <sup>1</sup>		na <sup>1</sup>
IOIS16 Delay Rising from Address <sup>3</sup>	tdrIOIS16 (ADR)	t <sub>AVISH</sub>		35		na <sup>1</sup>		na <sup>1</sup>		na <sup>1</sup>		na <sup>1</sup>
Wait Delay Falling from IORD <sup>3</sup>	tdWT(IORD)	t <sub>IGLWTL</sub>		35		35		35		35		na <sup>2</sup>
Data Delay from Wait Rising <sup>3</sup>	td(WT)	t <sub>WTHQV</sub>		0		0		0		0		na <sup>2</sup>
Wait Width Time <sup>3</sup>	tw(WT)	t <sub>WTLWTH</sub>		350		350		350		350		na <sup>2</sup>



**TS32M~1GCF80**
**3.10 I/O Output (Write) Timing Specification**

Item	Symbol	IEEE Symbol	Cycle Time Mode:		255 ns		120 ns		100 ns		80 ns	
			Min ns.	Max ns.	Min ns.	Max ns.	Min ns.	Max ns.	Min ns.	Max ns.		
Data Setup before IOWR	tsu(IOWR)	tDVIWH	60		20		20		15			
Data Hold following IOWR	th(IOWR)	tIWHDX	30		10		5		5			
IOWR Width Time	tw(IOWR)	tIWLWH	165		70		65		55			
Address Setup before IOWR	tsuA(IOWR)	tAVIWL	70		25		25		15			
Address Hold following IOWR	thA(IOWR)	tIWHAX	20		20		10		10			
CE Setup before IOWR	tsuCE (IOWR)	tELIWL	5		5		5		5			
CE Hold following IOWR	thCE (IOWR)	tIWEH	20		20		10		10			
REG Setup before IOWR	tsuREG (IOWR)	tRGLIWL	5		5		5		5			
REG Hold following IOWR	thREG (IOWR)	tIWHRGH	0		0		0		0			
IOIS16 Delay Falling from Address <sup>3</sup>	tdfIOIS16 (ADR)	tAVISL		35		na <sup>1</sup>		na <sup>1</sup>				na <sup>1</sup>
IOIS16 Delay Rising from Address <sup>3</sup>	tdrIOIS16 (ADR)	tAVISH		35		na <sup>1</sup>		na <sup>1</sup>				na <sup>1</sup>
Wait Delay Falling from IOWR <sup>3</sup>	tdWT(IOWR)	tIWLWTL		35		35		35				na <sup>2</sup>
IOWR high from Wait high <sup>3</sup>	tdrIOWR (WT)	tWTJIWH	0		0		0				na <sup>2</sup>	
Wait Width Time <sup>3</sup>	tw(WT)	tWTLWTH		350		350		350				na <sup>2</sup>



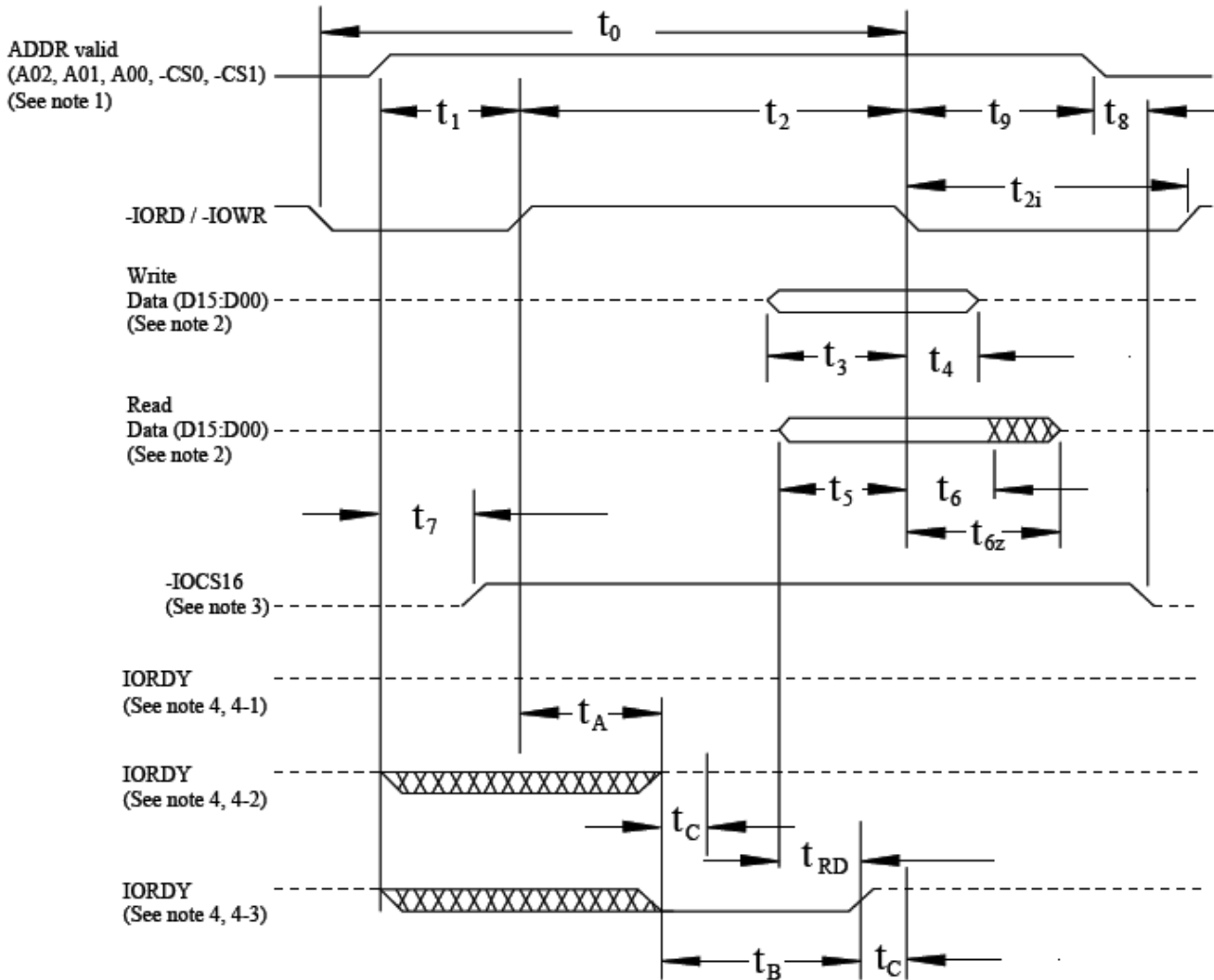


**3.11 True IDE PIO Mode Read/Write Timing Specification**

	Item	Mode							Note
		0	1	2	3	4	5	6	
t0	Cycle time (min)	600	383	240	180	120	100	80	1
t1	Address Valid to -IORD/-IOWR setup (min)	70	50	30	30	25	15	10	
t2	-IORD/-IOWR (min)	165	125	100	80	70	65	55	1
t2	-IORD/-IOWR (min) Register (8 bit)	290	290	290	80	70	65	55	1
t2i	-IORD/-IOWR recovery time (min)	-	-	-	70	25	25	20	1
t3	-IOWR data setup (min)	60	45	30	30	20	20	15	
t4	-IOWR data hold (min)	30	20	15	10	10	5	5	
t5	-IORD data setup (min)	50	35	20	20	20	15	10	
t6	-IORD data hold (min)	5	5	5	5	5	5	5	
T6Z	-IORD data tristate (max)	30	30	30	30	30	20	20	2
t7	Address valid to -IOCS16 assertion (max)	90	50	40	n/a	n/a	n/a	n/a	4
t8	Address valid to -IOCS16 released (max)	60	45	30	n/a	n/a	n/a	n/a	4
t9	-IORD/-IOWR to address valid hold	20	15	10	10	10	10	10	
tRD	Read Data Valid to IORDY active (min), if IORDY initially low after tA	0	0	0	0	0	0	0	
tA	IORDY Setup time	35	35	35	35	35	na <sup>5</sup>	na <sup>5</sup>	3
tB	IORDY Pulse Width (max)	125 0	1250	1250	1250	1250	na <sup>5</sup>	na <sup>5</sup>	
tC	IORDY assertion to release (max)	5	5	5	5	5	na <sup>5</sup>	na <sup>5</sup>	

Notes: All timings are in nanoseconds. The maximum load on -IOCS16 is 1 LSTTL with a 50 pF (40pF below 120nsec Cycle Time) total load. All times are in nanoseconds. Minimum time from -IORDY high to -IORD high is 0 nsec, but minimum -IORD width shall still be met.

- 1) t0 is the minimum total cycle time, t2 is the minimum command active time, and t2i is the minimum command recovery time or command inactive time. The actual cycle time equals the sum of the actual command active time and the actual command inactive time. The three timing requirements of t0, t2, and t2i shall be met. The minimum total cycle time requirement is greater than the sum of t2 and t2i. This means a host implementation can lengthen either or both t2 or t2i to ensure that t0 is equal to or greater than the value reported in the device's identify device data. A CompactFlash Storage Card implementation shall support any legal host implementation.
- 2) This parameter specifies the time from the negation edge of -IORD to the time that the data bus is no longer driven by the CompactFlash Storage Card (tri-state).
- 3) The delay from the activation of -IORD or -IOWR until the state of IORDY is first sampled. If IORDY is inactive then the host shall wait until IORDY is active before the PIO cycle can be completed. If the CompactFlash Storage Card is not driving IORDY negated at tA after the activation of -IORD or -IOWR, then t5 shall be met and tRD is not applicable. If the CompactFlash Storage Card is driving IORDY negated at the time tA after the activation of -IORD or -IOWR, then tRD shall be met and t5 is not applicable.
- 4) t7 and t8 apply only to modes 0, 1 and 2. For other modes, this signal is not valid.
- 5) IORDY is not supported in this mode.

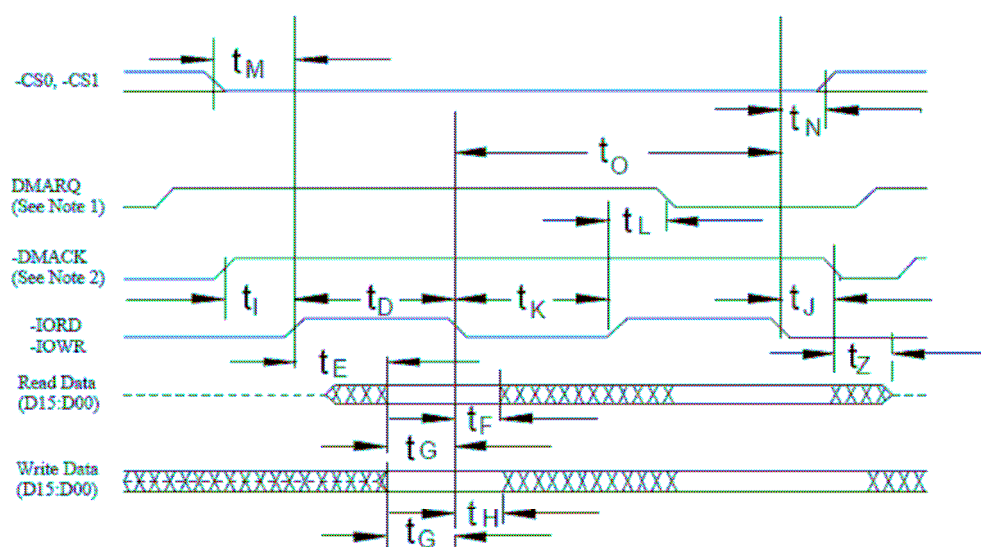

**Notes:**

- (1) Device address consists of -CS0, -CS1, and A[02::00]
- (2) Data consists of D[15::00] (16-bit) or D[07::00] (8 bit)
- (3) -IOCS16 is shown for PIO modes 0, 1 and 2. For other modes, this signal is ignored.
- (4) The negation of IORDY by the device is used to extend the PIO cycle. The determination of whether the cycle is to be extended is made by the host after  $t_A$  from the assertion of -IORD or -IOWR. The assertion and negation of IORDY is described in the following three cases:
  - (4-1) Device never negates IORDY: No wait is generated.
  - (4-2) Device starts to drive IORDY low before  $t_A$ , but causes IORDY to be asserted before  $t_A$ : No wait generated.
  - (4-3) Device drives IORDY low before  $t_A$ : wait generated. The cycle completes after IORDY is reasserted. For cycles where a wait is generated and -IORD is asserted, the device shall place read data on D15-D00 for  $t_{RD}$  before causing IORDY to be asserted.

**TS32M~1GCF80**
**3.12 True IDE Multiword DMA Mode Read/Write Timing Specification**

The timing diagram for True IDE DMA mode of operation in this section is drawn using the conventions in the ATA-4 specification. Signals are shown with their asserted state as high regardless of whether the signal is actually negative or positive true. Consequently, the  $\text{-IOR\#}$ , the  $\text{-IOW\#}$  and the  $\text{-IOCS16}$  signals are shown in the diagram inverted from their electrical states on the bus.

	Item	Mode 0 (ns)	Mode 1 (ns)	Mode 2 (ns)	Mode 3 (ns)	Mode 4 (ns)	Note
$t_o$	Cycle time (min)	480	150	120	100	80	1
$t_D$	$\text{-IOR\#}$ / $\text{-IOW\#}$ asserted width (min)	215	80	70	65	55	1
$t_E$	$\text{-IOR\#}$ data access (max)	150	60	50	50	45	
$t_F$	$\text{-IOR\#}$ data hold (min)	5	5	5	5	5	
$t_G$	$\text{-IOR\#}$ / $\text{-IOW\#}$ data setup (min)	100	30	20	15	10	
$t_H$	$\text{-IOW\#}$ data hold (min)	20	15	10	5	5	
$t_I$	DMACK to $\text{-IOR\#}$ / $\text{-IOW\#}$ setup (min)	0	0	0	0	0	
$t_J$	$\text{-IOR\#}$ / $\text{-IOW\#}$ to $\text{-DMACK}$ hold (min)	20	5	5	5	5	
$t_{KR}$	$\text{-IOR\#}$ negated width (min)	50	50	25	25	20	1
$t_{KW}$	$\text{-IOW\#}$ negated width (min)	215	50	25	25	20	1
$t_{LR}$	$\text{-IOR\#}$ to DMARQ delay (max)	120	40	35	35	35	
$t_{LW}$	$\text{-IOW\#}$ to DMARQ delay (max)	40	40	35	35	35	
$t_M$	CS(1:0) valid to $\text{-IOR\#}$ / $\text{-IOW\#}$	50	30	25	10	5	
$t_N$	CS(1:0) hold	15	10	10	10	10	
$t_Z$	$\text{-DMACK}$	20	25	25	25	25	



# TS32M~1GCF80

## 4. Card Configuration

The CompactFlash Storage Cards is identified by appropriate information in the Card Information Structure (CIS). The following configuration registers are used to coordinate the I/O spaces and the Interrupt level of cards that are located in the system. In addition, these registers provide a method for accessing status information about the CompactFlash Storage Card that may be used to arbitrate between multiple interrupt sources on the same interrupt level or to replace status information that appears on dedicated pins in memory cards that have alternate use in I/O cards.

### 4.1 Multiple Function CompactFlash Storage Cards

**Table: CompactFlash Storage Card Registers and Memory Space Decoding**

-CE2	-CE1	-REG	-OE	-WE	A10	A9	A8-A4	A3	A2	A1	A0	SELECTED SPACE
1	1	X	X	X	X	X	XX	X	X	X	X	Standby and UDMA transfer
X	0	0	0	1	0	1	XX	X	X	X	0	Configuration Registers Read
1	0	1	0	1	X	X	XX	X	X	X	X	Common Memory Read (8 Bit D7-D0)
0	1	1	0	1	X	X	XX	X	X	X	X	Common Memory Read (8 Bit D15-D8)
0	0	1	0	1	X	X	XX	X	X	X	0	Common Memory Read (16 Bit D15-D0)
X	0	0	1	0	0	1	XX	X	X	X	0	Configuration Registers Write
1	0	1	1	0	X	X	XX	X	X	X	X	Common Memory Write (8 Bit D7-D0)
0	1	1	1	0	X	X	XX	X	X	X	X	Common Memory Write (8 Bit D15-D8)
0	0	1	1	0	X	X	XX	X	X	X	0	Common Memory Write (16 Bit D15-D0)
X	0	0	0	1	0	0	XX	X	X	X	0	Card Information Structure Read
1	0	0	1	0	0	0	XX	X	X	X	0	Invalid Access (CIS Write)
1	0	0	0	1	X	X	XX	X	X	X	1	Invalid Access (Odd Attribute Read)
1	0	0	1	0	X	X	XX	X	X	X	1	Invalid Access (Odd Attribute Write)
0	1	0	0	1	X	X	XX	X	X	X	X	Invalid Access (Odd Attribute Read)
0	1	0	1	0	X	X	XX	X	X	X	X	Invalid Access (Odd Attribute Write)

**Table: CompactFlash Storage Card Configuration Registers Decoding**

-CE2	-CE1	-REG	-OE	-WE	A10	A9	A8-A4	A3	A2	A1	A0	SELECTED REGISTER
X	0	0	0	1	0	1	00	0	0	0	0	Configuration Option Reg Read
X	0	0	1	0	0	1	00	0	0	0	0	Configuration Option Reg Write
X	0	0	0	1	0	1	00	0	0	1	0	Card Status Register Read
X	0	0	1	0	0	1	00	0	0	1	0	Card Status Register Write
X	0	0	0	1	0	1	00	0	1	0	0	Pin Replacement Register Read
X	0	0	1	0	0	1	00	0	1	0	0	Pin Replacement Register Write
X	0	0	0	1	0	1	00	0	1	1	0	Socket and Copy Register Read
X	0	0	1	0	0	1	00	0	1	1	0	Socket and Copy Register Write

Note: For CompactFlash Storage Cards, the location of the card configuration registers should always be read from the CIS since these locations may vary in future products.

# TS32M~1GCF80

## 4.2 Attribute Memory Function

Attribute memory is a space where CompactFlash Storage Card identification and configuration information are stored, and is limited to 8 bit wide accesses only at even addresses. The card configuration registers are also located here. For CompactFlash Storage Cards, the base address of the Card configuration registers is 200h.

**Table: Attribute Memory Function**

Function Mode	DMA CMD	-REG	-CE2	-CE1	A10	A9	A0	-OE	-WE	D15-D8	D7-D0
Standby Mode	Don't Care	H	H	H	X	X	X	X	X	High Z	High Z
Standby Mode	No	X	H	H	X	X	X	X	X	High Z	High Z
UDMA Operation (see section 4.3.18: Ultra DMA Mode Read/Write Timing Specification)	Yes	L1	H	H	X	X	X	H	H	Odd Byte	Even Byte
Read Byte Access CIS ROM (8 bits)	No	L	H	L2	L	L	L	L2	H	High Z	Even Byte
Write Byte Access CIS (8 bits) (Invalid)	No	L	H	L2	L	L	L	H	L2	Don't Care	Even Byte
Read Byte Access Configuration CompactFlash Storage (8 bits)	No	L	H	L	L	H	L	L	H	High Z	Even Byte
Write Byte Access Configuration CompactFlash Storage (8 bits)	No	L	H	L	L	H	L	H	L	Don't Care	Even Byte
Read Word Access CIS (16 bits)	No	L	L2	L2	L	L	X	L2	H	Not Valid	Even Byte
Write Word Access CIS (16 bits) (Invalid)	No	L	L2	L2	L	L	X	H	L2	Don't Care	Even Byte
Read Word Access Configuration CompactFlash Storage (16 bits)	No	L	L2	L2	L	H	X	L2	H	Not Valid	Even Byte
Write Word Access Configuration CompactFlash Storage (16 bits)	No	L	L2	L2	L	H	X	H	L2	Don't Care	Even Byte

Note: The -CE signal or both the -OE signal and the -WE signal shall be de-asserted between consecutive cycle operations.

## TS32M~1GCF80

### 4.3 Configuration Option Register(Base + 00h in Attribute Memory)

The Configuration Option Register is used to configure the cards interface, address decoding and interrupt and to issue a soft reset to the CompactFlash Storage Card.

Operation	D7	D6	D5	D4	D3	D2	D1	D0
R/W	SRESET	LeviREQ	Conf5	Conf4	Conf3	Conf2	Conf1	Conf0

**SRESET - Soft Reset:** setting this bit to one (1), waiting the minimum reset width time and returning to zero (0) places the CompactFlash Storage Card in the Reset state. Setting this bit to one (1) is equivalent to assertion of the +RESET signal except that the SRESET bit is not cleared. Returning this bit to zero (0) leaves the CompactFlash Storage Card in the same un-configured, Reset state as following power-up and hardware reset. This bit is set to zero (0) by power-up and hardware reset. For CompactFlash Storage Cards, using the PCMCIA Soft Reset is considered a hard Reset by the ATA Commands. Contrast with Soft Reset in the Device Control Register.

**LeviREQ:** this bit is set to one (1) when Level Mode Interrupt is selected, and zero (0) when Pulse Mode is selected. Set to zero (0) by Reset.

**Conf5 - Conf0 - Configuration Index:** set to zero (0) by reset. It is used to select operation mode of the CompactFlash Storage Card as shown below.

Note: Conf5 and Conf4 are reserved for CompactFlash Storage cards and shall be written as zero (0).

Table: CompactFlash Storage Card Configurations

Conf5	Conf4	Conf3	Conf2	Conf1	Conf0	Disk Card Mode
0	0	0	0	0	0	Memory Mapped
0	0	0	0	0	1	I/O Mapped, Any 16 byte system decoded boundary
0	0	0	0	1	0	I/O Mapped, 1F0h-1F7h/3F6h-3F7h
0	0	0	0	1	1	I/O Mapped, 170h-177h/376h-377h

### 4.4 Card Configuration and Status Register (Base + 02h in Attribute Memory)

The Card Configuration and Status Register contains information about the Card's condition.

Operation	D7	D6	D5	D4	D3	D2	D1	D0
Read	Changed	SigChg	IOis8	-XE	Audio	PwrDwn	Int	0
Write	0	SigChg	IOis8	-XE	Audio	PwrDwn	0	0

**Changed:** indicates that one or both of the Pin Replacement register CReady, or CWProt bits are set to one (1). When the Changed bit is set, -STSCHG Pin 46 is held low if the SigChg bit is a One (1) and the CompactFlash Storage Card is configured for the I/O interface.

**SigChg:** this bit is set and reset by the host to enable and disable a state-change "signal" from the Status Register, the Changed bit controls pin 46, the Changed Status signal. If no state change signal is desired, this bit is set to zero (0) and pin 46 (-STSCHG) signal is then held high while the CompactFlash Storage Card is configured for I/O.

**IOis8:** the host sets this bit to a one (1) if the CompactFlash Storage Card is to be configured in an 8 bit I/O Mode. The

CompactFlash Storage Card is always configured for both 8 and 16 bit I/O, so this bit is ignored.

**-XE:** For CompactFlash cards that do not support Power Level 1, this bit has value 0 and is not writeable.

**Audio:** This bit should always be zero for CompactFlash Storage cards.

**PwrDwn:** this bit indicates whether the host requests the CompactFlash Storage Card to be in the power saving or active mode. When the bit is one (1), the CompactFlash Storage Card enters a power down mode. When PwrDwn is zero (0), the host is requesting the CompactFlash Storage Card enter the active mode. The PCMCIA READY value becomes false (busy) when this bit is changed. READY shall not become true (ready) until the power state requested has been entered. The CompactFlash Storage Card automatically powers down when it is idle and powers back up when it receives a command.

**Int:** this bit represents the internal state of the interrupt request. This value is available whether or not the I/O interface has been configured. This signal remains true until the condition that caused the interrupt request has been serviced. If interrupts are disabled by the -IEN bit in the Device Control Register, this bit is a zero (0).

#### 4.5 Pin Replacement Register (Base + 04h in Attribute Memory)

Operation	D7	D6	D5	D4	D3	D2	D1	D0
Read	0	0	CReady	CWProt	1	1	RReady	WProt
Write	0	0	CReady	CWProt	0	0	MReady	MWProt

**CReady:** this bit is set to one (1) when the bit RReady changes state. This bit can also be written by the host.

**CWProt:** this bit is set to one (1) when the RWprot changes state. This bit may also be written by the host.

**RReady:** this bit is used to determine the internal state of the READY signal. This bit may be used to determine the state of the READY signal as this pin has been reallocated for use as Interrupt Request on an I/O card. When written, this bit acts as a mask (MReady) for writing the corresponding bit CReady.

**WProt:** this bit is always zero (0) since the CompactFlash Storage Card does not have a Write Protect switch. When written, this bit acts as a mask for writing the corresponding bit CWProt.

**MReady:** this bit acts as a mask for writing the corresponding bit CReady.

**MWProt:** this bit when written acts as a mask for writing the corresponding bit CWProt.

**Table: Pin Replacement Changed Bit/Mask Bit Values**

Initial Value of (C) Status	Written by Host		Final "C" Bit	Comments
	"C" Bit	"M" Bit		
0	X	0	0	Unchanged
1	X	0	1	Unchanged
X	0	1	0	Cleared by Host
X	1	1	1	Set by Host

## TS32M~1GCF80

### 4.6 Socket and Copy Register (Base + 06h in Attribute Memory)

This register contains additional configuration information. This register is always written by the system before writing the card's Configuration Index Register. This register is not required for CF Cards.

If present, it is optional for a CF Card to allow setting bit D4 (Drive number) to 1. If two drives are supported, it is intended for use only when two cards are co-located at either the primary or secondary addresses in PCMCIA I/O mode. The availability and capabilities of this register are described in the Card Information Structure of the CF Card.

Hosts shall not depend on the availability of this functionality.

Operation	D7	D6	D5	D4	D3	D2	D1	D0
Read	Reserved	0	0	Obsolete <sup>1</sup> (Drive #)	0	0	0	0
Write	0	0	0	Obsolete <sup>1</sup> (Drive #)	X	X	X	X

**Reserved:** this bit is reserved for future standardization. This bit shall be set to zero (0) by the software when the register is written.

**Obsolete (Drive #):** this bit is obsolete and should be written as 0.

If the obsolete functionality is not supported it shall be read as written or shall be read as 0. If the obsolete functionality is supported, the bit shall be read as written. If supported, this bit sets the drive number, which the card matches with the DRV bit of the Drive/Head register when configured in a twin card configuration.

It is recommended that the host always write 0 for the drive number in this register and in the DRV bit of the Drive/Head register for PCMCIA modes of operation.

**X:** the socket number is ignored by the CompactFlash Storage Card.

### 4.7 I/O Transfer Function

The I/O transfer to or from the CompactFlash Storage can be either 8 or 16 bits. When a 16 bit accessible



port is addressed, the signal -IOIS16 is asserted by the CompactFlash Storage. Otherwise, the -IOIS16 signal is de-asserted. When a 16 bit transfer is attempted, and the -IOIS16 signal is not asserted by the CompactFlash Storage, the system shall generate a pair of 8 bit references to access the word's even byte and odd byte. The CompactFlash Storage Card permits both 8 and 16 bit accesses to all of its I/O addresses, so -IOIS16 is asserted for all addresses to which the CompactFlash Storage responds. The CompactFlash Storage Card may request the host to extend the length of an input cycle until data is ready by asserting the -WAIT signal at the start of the cycle.

**Table: PCMCIA Mode I/O Function**

Function Code	-REG	-CE2	-CE1	A0	-IORD	-IOWR	D15-D8	D7-D0
Standby Mode	X	H	H	X	X	X	High Z	High Z
Byte Input Access (8 bits)	L L	H H	L L	L H	L L	H H	High Z High Z	Even-Byte Odd-Byte
Byte Output Access (8 bits)	L L	H H	L L	L H	H H	L L	Don't Care Don't Care	Even-Byte Odd-Byte
Word Input Access (16 bits)	L	L	L	L	L	H	Odd-Byte	Even-Byte
Word Output Access (16 bits)	L	L	L	L	H	L	Odd-Byte	Even-Byte
I/O Read Inhibit	H	X	X	X	L	H	Don't Care	Don't Care
I/O Write Inhibit	H	X	X	X	H	L	High Z	High Z
High Byte Input Only (8 bits)	L	L	H	X	L	H	Odd-Byte	High Z
High Byte Output Only (8 bits)	L	L	H	X	H	L	Odd-Byte	Don't Care

## 4.8 Common Memory Transfer Function

The Common Memory transfer to or from the CompactFlash Storage can be either 8 or 16 bits.

**Table: Common Memory Function**

Function Code	-REG	-CE2	-CE1	A0	-OE	-WE	D15-D8	D7-D0
Standby Mode	X	H	H	X	X	X	High Z	High Z
Byte Read Access (8 bits)	H H	H H	L L	L H	L L	H H	High Z High Z	Even-Byte Odd-Byte
Byte Write Access (8 bits)	H H	H H	L L	L H	H H	L L	Don't Care Don't Care	Even-Byte Odd-Byte
Word Read Access (16 bits)	H	L	L	X	L	H	Odd-Byte	Even-Byte
Word Write Access (16 bits)	H	L	L	X	H	L	Odd-Byte	Even-Byte
Odd Byte Read Only (8 bits)	H	L	H	X	L	H	Odd-Byte	High Z
Odd Byte Write Only (8 bits)	H	L	H	X	H	L	Odd-Byte	Don't Care

## 4.9 True IDE Mode I/O Transfer Function

The CompactFlash Storage Card can be configured in a True IDE Mode of operation. The CompactFlash Storage Card is configured in this mode only when the -OE input signal is grounded by the host during the power off to power on cycle. Optionally, CompactFlash Storage Cards may support the following optional detection methods:

1. The card is permitted to monitor the -OE (-ATA SEL) signal at any time(s) and switch to PCMCIA mode upon detecting a high level on the pin.
2. The card is permitted to re-arbitrate the interface mode determination following a transition of the (-)RESET pin.
3. The card is permitted to monitor the -OE (-ATA SEL) signal at any time(s) and switch to True IDE mode upon detection of a continuous low level on pin for an extended period of time.

Function Code	-CS1	-CS0	A0-A2	-DMACK	-IORD	-IOWR	D15-D8	D7-D0
Invalid Modes	L	L	X	X	X	X	Undefined In/Out	Undefined In/Out
	L	X	X	L	L	X	Undefined Out	Undefined Out
	L	X	X	L	X	L	Undefined In	Undefined In
	X	L	X	L	L	X	Undefined Out	Undefined Out
	X	L	X	L	X	L	Undefined In	Undefined In
Standby Mode	H	H	X	H	X	X	High Z	High Z
Task File Write	H	L	1-7h	H	H	L	Don't Care	Data In
Task File Read	H	L	1-7h	H	L	H	High Z	Data Out
PIO Data Register Write	H	L	0	H	H	L	Odd-Byte In	Even-Byte In
DMA Data Register Write	H	H	X	L	H	L	Odd-Byte In	Even-Byte In
PIO Data Register Read	H	L	0	H	L	H	Odd-Byte Out	Even-Byte Out
DMA Data Register Read	H	H	X	L	L	H	Odd-Byte Out	Even-Byte Out
Control Register Write	L	H	6h	H	H	L	Don't Care	Control In
Alt Status Read	L	H	6h	H	L	H	High Z	Status Out
Drive Address <sup>1</sup>	L	H	7h	H	L	H	High Z	Data Out

Notes: 1) Implemented for backward compatibility. Bit D7 of the register shall remain High Z to prevent conflict with any floppy disk controller at the same address. The host software should not rely on the contents of this register.

## TS32M~1GCF80

### 4.10 Host Configuration Requirements for Master/Slave or New Timing Modes

The CF Advanced Timing modes include PCMCIA PC Card style I/O modes that are faster than the original 250 ns cycle time. These modes are not supported by the PCMCIA PC Card specification nor CF by cards based on revisions of the CF specification before Revision 3.0. Hosts shall ensure that all cards accessed through a common electrical interface are capable of operation at the desired, faster than 250 ns, I/O mode before configuring the interface for that I/O mode.

Advanced Timing modes are PCMCIA PC Card style I/O modes that are 100 ns or faster, PC Card Memory modes that are 100ns or faster, True IDE PIO Modes 5,6 and Multiword DMA Modes 3,4. These modes are permitted to be used only when a single card is present and the host and card are connected directly, without a cable exceeding 0.15m in length. Consequently, the host shall not configure a card into an Advanced Timing Mode if two cards are sharing I/O lines, as in Master/Slave operation, nor if it is constructed such that a cable exceeding 0.15 meters is required to connect the host to the card.

When the use of two cards on an interface is otherwise permitted, the host may use any mode that is supported by both cards, but to achieve maximum performance it should use its highest performance mode that is also supported by both cards.

## 5 CF-ATA Drive Register Set Definition and Protocol

The CompactFlash Storage Card can be configured as a high performance I/O device through:

- The standard PC-AT disk I/O address spaces 1F0h-1F7h, 3F6h-3F7h (primary) or 170h- 177h, 376h-377h (secondary) with IRQ 14 (or other available IRQ).
- Any system decoded 16 byte I/O block using any available IRQ.
- Memory space.

The communication to or from the CompactFlash Storage Card is done using the Task File registers, which provide all the necessary registers for control and status information related to the storage medium. The PCMCIA interface connects peripherals to the host using four register mapping methods. Table is a detailed description of these methods below:

**Table: I/O Configurations**

Standard Configurations			
Config Index	I/O or Memory	Address	Description
0	Memory	0h-Fh, 400h-7FFh	Memory Mapped
1	I/O	XX0h-XXFh	I/O Mapped 16 Contiguous Registers
2	I/O	1F0h-1F7h, 3F6h-3F7h	Primary I/O Mapped
3	I/O	170h-177h, 376h-377h	Secondary I/O Mapped

**TS32M~1GCF80**
**5.1 I/O Primary and Secondary Address Configurations**
**Table: Primary and Secondary I/O Decoding**

-REG	A9-A4	A3	A2	A1	A0	-IORD=0	-IOWR=0	Note
0	1F(17)h	0	0	0	0	Even RD Data	Even WR Data	1, 2
0	1F(17)h	0	0	0	1	Error Register	Features	1, 2
0	1F(17)h	0	0	1	0	Sector Count	Sector Count	
0	1F(17)h	0	0	1	1	Sector No.	Sector No.	
0	1F(17)h	0	1	0	0	Cylinder Low	Cylinder Low	
0	1F(17)h	0	1	0	1	Cylinder High	Cylinder High	
0	1F(17)h	0	1	1	0	Select Card/Head	Select Card/Head	
0	1F(17)h	0	1	1	1	Status	Command	
0	3F(37)h	0	1	1	0	Alt Status	Device Control	
0	3F(37)h	0	1	1	1	Drive Address	Reserved	

Note:

- 1) Register 0 is accessed with -CE1 low and -CE2 low (and A0 = Don't Care) as a word register on the combined Odd Data Bus and Even Data Bus (D15-D0). This register may also be accessed by a pair of byte accesses to the offset 0 with -CE1 low and -CE2 high. Note that the address space of this word register overlaps the address space of the Error and Feature byte-wide registers, which lie at offset 1. When accessed twice as byte register with -CE1 low, the first byte to be accessed is the even byte of the word and the second byte accessed is the odd byte of the equivalent word access.
- 2) A byte access to register 0 with -CE1 high and -CE2 low accesses the error (read) or feature (write) register.

## TS32M~1GCF80

### 5.2 Contiguous I/O Mapped Addressing

When the system decodes a contiguous block of I/O registers to select the CompactFlash Storage Card, the registers are accessed in the block of I/O space decoded by the system as follows:

**Table: Contiguous I/O Decoding**

-REG	A3	A2	A1	A0	Offset	-IORD=0	-IOWR=0	Notes
0	0	0	0	0	0	Even RD Data	Even WR Data	1
0	0	0	0	1	1	Error	Features	2
0	0	0	1	0	2	Sector Count	Sector Count	
0	0	0	1	1	3	Sector No.	Sector No.	
0	0	1	0	0	4	Cylinder Low	Cylinder Low	
0	0	1	0	1	5	Cylinder High	Cylinder High	
0	0	1	1	0	6	Select Card /Head	Select Card/Head	
0	0	1	1	1	7	Status	Command	
0	1	0	0	0	8	Dup Even RD Data	Dup. Even WR Data	2
0	1	0	0	1	9	Dup. Odd RD Data	Dup. Odd WR Data	2
0	1	1	0	1	D	Dup. Error	Dup. Features	2
0	1	1	1	0	E	Alt Status	Device Ctl	
0	1	1	1	1	F	Drive Address	Reserved	

Notes:

- 1) Register 0 is accessed with -CE1 low and -CE2 low (and A0 = Don't Care) as a word register on the combined Odd Data Bus and Even Data Bus (D15-D0). This register may also be accessed by a pair of byte accesses to the offset 0 with -CE1 low and -CE2 high. Note that the address space of this word register overlaps the address space of the Error and Feature byte-wide registers that lie at offset 1.  
 When accessed twice as byte register with -CE1 low, the first byte to be accessed is the even byte of the word and the second byte accessed is the odd byte of the equivalent word access.  
 A byte access to register 0 with -CE1 high and -CE2 low accesses the error (read) or feature (write) register.
- 2) Registers at offset 8, 9 and D are non-overlapping duplicates of the registers at offset 0 and 1.  
 Register 8 is equivalent to register 0, while register 9 accesses the odd byte. Therefore, if the registers are byte accessed in the order 9 then 8 the data shall be transferred odd byte then even byte.  
 Repeated byte accesses to register 8 or 0 shall access consecutive (even then odd) bytes from the data buffer. Repeated word accesses to register 8, 9 or 0 shall access consecutive words from the data buffer. Repeated byte accesses to register 9 are not supported. However, repeated alternating byte accesses to registers 8 then 9 shall access consecutive (even then odd) bytes from the data buffer. Byte accesses to register 9 access only the odd byte of the data.
- 3) Address lines that are not indicated are ignored by the CompactFlash Storage Card for accessing all the registers in this table.

## TS32M~1GCF80

### 5.3 Memory Mapped Addressing

When the CompactFlash Storage Card registers are accessed via memory references, the registers appear in the common memory space window: 0-2K bytes as follows:

-REG	A10	A9-A4	A3	A2	A1	A0	Offset	-OE=0	-WE=0	Notes
1	0	X	0	0	0	0	0	Even RD Data	Even WR Data	1, 2
1	0	X	0	0	0	1	1	Error	Features	1, 2
1	0	X	0	0	1	0	2	Sector Count	Sector Count	
1	0	X	0	0	1	1	3	Sector No.	Sector No.	
1	0	X	0	1	0	0	4	Cylinder Low	Cylinder Low	
1	0	X	0	1	0	1	5	Cylinder High	Cylinder High	
1	0	X	0	1	1	0	6	Select Card /Head	Select Card/Head	
1	0	X	0	1	1	1	7	Status	Command	
1	0	X	1	0	0	0	8	Dup. Even RD Data	Dup. Even WR Data	2
1	0	X	1	0	0	1	9	Dup. Odd RD Data	Dup. Odd WR Data	2
1	0	X	1	1	0	1	D	Dup. Error	Dup. Features	2
1	0	X	1	1	1	0	E	Alt Status	Device Ctl	
1	0	X	1	1	1	1	F	Drive Address	Reserved	
1	1	X	X	X	X	0	8	Even RD Data	Even WR Data	3
1	1	X	X	X	X	1	9	Odd RD Data	Odd WR Data	3

Notes:

1) Register 0 is accessed with -CE1 low and -CE2 low as a word register on the combined Odd Data Bus and Even Data Bus (D15-D0). This register may also be accessed by a pair of byte accesses to the offset 0 with -CE1 low and -CE2 high. Note that the address space of this word register overlaps the address space of the Error and Feature byte-wide registers that lie at offset 1. When accessed twice as byte register with -CE1 low, the first byte to be accessed is the even byte of the word and the second byte accessed is the odd byte of the equivalent word access.

A byte access to address 0 with -CE1 high and -CE2 low accesses the error (read) or feature (write) register.

2) Registers at offset 8, 9 and D are non-overlapping duplicates of the registers at offset 0 and 1. Register 8 is equivalent to register 0, while register 9 accesses the odd byte. Therefore, if the registers are byte accessed in the order 9 then 8 the data shall be transferred odd byte then even byte.

Repeated byte accesses to register 8 or 0 shall access consecutive (even then odd) bytes from the data buffer. Repeated word accesses to register 8, 9 or 0 shall access consecutive words from the data buffer. Repeated byte accesses to register 9 are not supported. However, repeated alternating byte accesses to registers 8 then 9 shall access consecutive (even then odd) bytes from the data buffer. Byte accesses to register 9 access only the odd byte of the data.

3) Accesses to even addresses between 400h and 7FFh access register 8. Accesses to odd addresses between 400h and 7FFh access register 9. This 1 Kbyte memory window to the data register is provided so that hosts can perform memory to memory block moves to the data register when the register lies in memory space.

Some hosts, such as the X86 processors, must increment both the source and destination addresses when executing the memory to memory block move instruction. Some PCMCIA socket adapters also have auto incrementing address logic embedded within them. This address window allows these hosts and adapters to function efficiently.

Note that this entire window accesses the Data Register FIFO and does not allow random access to the data buffer within the CompactFlash Storage Card.

A word access to address at offset 8 shall provide even data on the low-order byte of the data bus, along with odd data at offset 9 on the high-order byte of the data bus.

## 5.4 True IDE Mode Addressing

When the CompactFlash Storage Card is configured in the True IDE Mode, the I/O decoding is as follows:

-CS1	-CS0	A2	A1	A0	-DMACK	-IORD=0	-IOWR=0	Note
1	0	0	0	0	1	PIO RD Data	PIO WR Data	8 or 16 bit <sup>1</sup>
1	1	X	X	X	0	DMA RD Data	DMA WR Data	16 bit
1	0	0	0	1	1	Error Register	Features	8 bit
1	0	0	1	0	1	Sector Count	Sector Count	8 bit
1	0	0	1	1	1	Sector No.	Sector No.	8 bit
1	0	1	0	0	1	Cylinder Low	Cylinder Low	8 bit
1	0	1	0	1	1	Cylinder High	Cylinder High	8 bit
1	0	1	1	0	1	Select Card/Head	Select Card/Head	8 bit
1	0	1	1	1	1	Status	Command	8 bit
0	1	1	1	0	1	Alt Status	Device Control	8 bit

Note: 1) See the section 6.1.5 CF-ATA Registers for information regarding the control of 8 or 16 bit transfers to the data register.

## 5.5 CF-ATA Registers

The following section describes the hardware registers used by the host software to issue commands to the CompactFlash device. These registers are often collectively referred to as the “task file.”

Note: In accordance with the PCMCIA specification: each of the registers below that is located at an odd offset address may be accessed in the PC Card Memory or PC Card I/O modes at its normal address and also the corresponding even address (normal address -1) using data bus lines (D15-D8) when -CE1 is high and -CE2 is low unless -IOIS16 is high (not asserted by the card) and an I/O cycle is being performed.

In the True IDE mode of operation, the size of the transfer is based solely on the register being addressed. All registers are 8 bit only except for the Data Register, which is normally 16 bits, but can be programmed to use 8 bit transfers for Non-DMA operations through the use of the Set Features command. The data register is also 8 bits during a portion of the Read Long and Write Long commands, which exist solely for historical reasons and should not be used.

### 5.5.1 Data Register (Address - 1F0h[170h];Offset 0,8,9)

The Data Register is a 16 bit register, and it is used to transfer data blocks between the CompactFlash Storage Card data buffer and the Host. This register overlaps the Error Register Table: Data Register Access below describes the combinations of data register access and is provided to assist in understanding the overlapped Data Register and Error/Feature Register rather than to attempt to define general PCMCIA word and byte access modes and operations.

See the PCMCIA PC Card Standard, for further definitions of the Card Accessing Modes for I/O and Memory cycles.

Note: Because of the overlapped registers, PC Card modes access to the 1F1h, 171h or offset 1 are not defined for word (-CE2 = 0 and -CE1 = 0) operations. These accesses are treated as accesses to the Word Data Register. The duplicated registers at offsets 8, 9 and Dh have no restrictions on the operations that can be performed by the socket.

**Table: Data Register Access**

Data Register Memory and I/O Modes	-CE2	-CE1	A0	-REG	Offset	Data Bus
Word Data Register	0	0	X	- <sup>1</sup>	0,8,9	D15-D0
Even Data Register	1	0	0	- <sup>1</sup>	0,8	D7-D0
Odd Data Register	1	0	1	- <sup>1</sup>	9	D7-D0
Odd Data Register	0	1	X	- <sup>1</sup>	8,9	D15-D8
Error / Feature Register	1	0	1	- <sup>1</sup>	1, Dh	D7-D0
Error / Feature Register	0	1	X	- <sup>1</sup>	1	D15-D8
Error / Feature Register	0	0	X	- <sup>1</sup>	Dh	D15-D8
Data Register True IDE Mode	-CS1	-CS0	A0	-DMACK	Offset	Data Bus
PIO Word Data Register	1	0	0	1	0	D15-D0
DMA Word Data Register	1	1	X	0	X	D15-D0
PIO Byte Data Register (Selected Using Set Features Command)	1	0	0	1	0	D7-D0

Notes: 1) -REG signal is mode dependent. Signal shall be 0 for I/O mode and 1 for Memory Mode.

### 5.5.2 Error Register (Address - 1F1h[171h]; Offset 1, 0Dh Read Only)

This register contains additional information about the source of an error when an error is indicated in bit 0 of the Status register. The bits are defined as follows:

D7	D6	D5	D4	D3	D2	D1	D0
BBK	UNC	0	IDNF	0	ABRT	0	AMNF

**Figure: Error Register**

This register is also accessed in PC Card Modes on data bits D15-D8 during a read operation to offset 0 with -CE2 low and -CE1 high.

**Bit 7 (BBK):** this bit is set when a Bad Block is detected.

**Bit 6 (UNC):** this bit is set when an Uncorrectable Error is encountered.

**Bit 5:** this bit is 0.

**Bit 4 (IDNF):** the requested sector ID is in error or cannot be found.

**Bit 3:** this bit is 0.

**Bit 2 (Abort)** This bit is set if the command has been aborted because of a CompactFlash Storage Card status condition: (Not Ready, Write Fault, etc.) or when an invalid command has been issued.

**Bit 1** This bit is 0.

**Bit 0 (AMNF)** This bit is set in case of a general error.



## TS32M~1GCF80

### 5.5.3 Feature Register (Address - 1F1h[171h]; Offset 1, 0Dh Write Only)

This register provides information regarding features of the CompactFlash Storage Card that the host can utilize. This register is also accessed in PC Card modes on data bits D15-D8 during a write operation to Offset 0 with -CE2 low and -CE1 high.

### 5.5.4 Sector Count Register (Address - 1F2h[172h]; Offset 2)

This register contains the numbers of sectors of data requested to be transferred on a read or write operation between the host and the CompactFlash Storage Card. If the value in this register is zero, a count of 256 sectors is specified. If the command was successful, this register is zero at command completion. If not successfully completed, the register contains the number of sectors that need to be transferred in order to complete the request.

### 5.5.5 Sector Number (LBA 7-0) Register (Address - 1F3h[173h]; Offset 3)

This register contains the starting sector number or bits 7-0 of the Logical Block Address (LBA) for any CompactFlash Storage Card data access for the subsequent command.

### 5.5.6 Cylinder Low (LBA 15-8) Register (Address - 1F4h[174h]; Offset 4)

This register contains the low order 8 bits of the starting cylinder address or bits 15-8 of the Logical Block Address.

### 5.5.7 Cylinder High (LBA 23-16) Register (Address - 1F5h[175h]; Offset 5)

This register contains the high order bits of the starting cylinder address or bits 23-16 of the Logical Block Address.

### 5.5.8 Drive/Head (LBA 27-24) Register (Address 1F6h[176h]; Offset 6)

The Drive/Head register is used to select the drive and head. It is also used to select LBA addressing instead of cylinder/head/sector addressing. The bits are defined as follows:

D7	D6	D5	D4	D3	D2	D1	D0
1	LBA	1	DRV	HS3	HS2	HS1	HS0

Figure: Drive/Head Register

- Bit 7:** this bit is specified as 1 for backward compatibility reasons. It is intended that this bit will become obsolete in a future revision of the specification. This bit is ignored by some controllers in some commands.
- Bit 6:** LBA is a flag to select either Cylinder/Head/Sector (CHS) or Logical Block Address Mode (LBA). When LBA=0, Cylinder/Head/Sector mode is selected. When LBA=1, Logical Block Address is selected. In Logical Block Mode, the Logical Block Address is interpreted as follows:
- LBA7-LBA0: Sector Number Register D7-D0.
  - LBA15-LBA8: Cylinder Low Register D7-D0.
  - LBA23-LBA16: Cylinder High Register D7-D0.
  - LBA27-LBA24: Drive/Head Register bits HS3-HS0.
- Bit 5:** this bit is specified as 1 for backward compatibility reasons. It is intended that this bit will become obsolete in a future revisions of the specification. This bit is ignored by some controllers in some commands.
- Bit 4 (DRV):** DRV is the drive number. When DRV=0, drive (card) 0 is selected. When DRV=1, drive (card) 1 is selected. Setting this bit to 1 is obsolete in PCMCIA modes of operation. If the obsolete functionality is support by a CF Storage Card, the CompactFlash Storage Card is set to be Card 0 or 1 using the copy field (Drive #) of the PCMCIA Socket & Copy configuration register.
- Bit 3 (HS3):** when operating in the Cylinder, Head, Sector mode, this is bit 3 of the head number.

## TS32M~1GCF80

It is Bit 27 in the Logical Block Address mode.

**Bit 2 (HS2):** when operating in the Cylinder, Head, Sector mode, this is bit 2 of the head number.

It is Bit 26 in the Logical Block Address mode.

**Bit 1 (HS1):** when operating in the Cylinder, Head, Sector mode, this is bit 1 of the head number.

It is Bit 25 in the Logical Block Address mode.

**Bit 0 (HS0):** when operating in the Cylinder, Head, Sector mode, this is bit 0 of the head number.

It is Bit 24 in the Logical Block Address mode.

### 5.5.9 Status & Alternate Status Registers (Address 1F7h[177h]&3F6h[376h]; Offsets 7 & Eh)

These registers return the CompactFlash Storage Card status when read by the host. Reading the Status register does clear a pending interrupt while reading the Auxiliary Status register does not. The status bits are described as follows:

D7	D6	D5	D4	D3	D2	D1	D0
BUSY	RDY	DWF	DSC	DRQ	CORR	0	ERR

Figure: Status & Alternate Status Register

**Bit 7 (BUSY):** the busy bit is set when the CompactFlash Storage Card has access to the command buffer and registers and the host is locked out from accessing the command register and buffer. No other bits in this register are valid when this bit is set to a 1.

During the data transfer of DMA commands, the Card shall not assert DMARQ unless either the BUSY bit, the DRQ bit, or both are set to one.

**Bit 6 (RDY):** RDY indicates whether the device is capable of performing CompactFlash Storage Card operations. This bit is cleared at power up and remains cleared until the CompactFlash Storage Card is ready to accept a command.

**Bit 5 (DWF):** This bit, if set, indicates a write fault has occurred.

**Bit 4 (DSC):** This bit is set when the CompactFlash Storage Card is ready.

**Bit 3 (DRQ):** The Data Request is set when the CompactFlash Storage Card requires that information be transferred either to or from the host through the Data register.

During the data transfer of DMA commands, the Card shall not assert DMARQ unless either the BUSY bit, the DRQ bit, or both are set to one.

**Bit 2 (CORR):** This bit is set when a Correctable data error has been encountered and the data has been corrected. This condition does not terminate a multi-sector read operation.

**Bit 1 (IDX):** This bit is always set to 0.

**Bit 0 (ERR):** This bit is set when the previous command has ended in some type of error. The bits in the Error register contain additional information describing the error. It is recommended that media access commands (such as Read Sectors and Write Sectors) that end with an error condition should have the address of the first sector in error in the command block registers.

### 5.5.10 Device Control Register (Address - 3F6h[376h]; Offset Eh)

This register is used to control the CompactFlash Storage Card interrupt request and to issue an ATA soft reset to the card. This register can be written even if the device is BUSY. The bits are defined as follows:

D7	D6	D5	D4	D3	D2	D1	D0
X(0)	X(0)	X(0)	X(0)	X(0)	SW Rst	-IEn	0

**Figure: Device Control Register**

- Bit 7:** this bit is ignored by the CompactFlash Storage Card. The host software should set this bit to 0.
- Bit 6:** this bit is ignored by the CompactFlash Storage Card. The host software should set this bit to 0.
- Bit 5:** this bit is ignored by the CompactFlash Storage Card. The host software should set this bit to 0.
- Bit 4:** this bit is ignored by the CompactFlash Storage Card. The host software should set this bit to 0.
- Bit 3:** this bit is ignored by the CompactFlash Storage Card. The host software should set this bit to 0.
- Bit 2 (SW Rst):** this bit is set to 1 in order to force the CompactFlash Storage Card to perform an AT Disk controller Soft Reset operation. This does not change the PCMCIA Card Configuration Registers (see Section 4.3 to 4.7) as a hardware Reset does. The Card remains in Reset until this bit is reset to '0.'
- Bit 1 (-IEn):** the Interrupt Enable bit enables interrupts when the bit is 0. When the bit is 1, interrupts from the CompactFlash Storage Card are disabled. This bit also controls the Int bit in the Configuration and Status Register. This bit is set to 0 at power on and Reset.
- Bit 0:** this bit is ignored by the CompactFlash Storage Card.

### 5.5.11 Card (Drive) Address Register (Address 3F7h[377h]; Offset Fh)

This register is provided for compatibility with the AT disk drive interface. It is recommended that this register not be mapped into the host's I/O space because of potential conflicts on Bit 7. The bits are defined as follows:

D7	D6	D5	D4	D3	D2	D1	D0
X	-WTG	-HS3	-HS2	-HS1	-HS0	-nDS1	-nDS0

**Bit 7:** this bit is unknown.

Implementation Note:

Conflicts may occur on the host data bus when this bit is provided by a Floppy Disk Controller operating at the same addresses as the CompactFlash Storage Card. Following are some possible solutions to this problem for the PCMCIA implementation:

- 1) Locate the CompactFlash Storage Card at a non-conflicting address, i.e. Secondary address (377) or in an independently decoded Address Space when a Floppy Disk Controller is located at the Primary addresses.
- 2) Do not install a Floppy and a CompactFlash Storage Card in the system at the same time.
- 3) Implement a socket adapter that can be programmed to (conditionally) tri-state D7 of I/O address 3F7h/377h when a CompactFlash Storage Card is installed and conversely to tristate D6-D0 of I/O address 3F7h/377h when a floppy controller is installed.
- 4) Do not use the CompactFlash Storage Card's Drive Address register. This may be accomplished by either a) If possible, program the host adapter to enable only I/O addresses 1F0h-1F7h, 3F6h (or 170h-177h, 176h) to the CompactFlash Storage Card or b) if provided use an additional Primary / Secondary configuration in the CompactFlash Storage Card which does not respond to accesses to I/O locations 3F7h and 377h. With either of these implementations, the host software shall not attempt to use information in the Drive Address Register.

**Bit 6 (-WTG):** this bit is 0 when a write operation is in progress; otherwise, it is 1.

**Bit 5 (-HS3):** this bit is the negation of bit 3 in the Drive/Head register.

## TS32M~1GCF80

---

**Bit 4 (-HS2):** this bit is the negation of bit 2 in the Drive/Head register.

**Bit 3 (-HS1):** this bit is the negation of bit 1 in the Drive/Head register.

**Bit 2 (-HS0):** this bit is the negation of bit 0 in the Drive/Head register.

**Bit 1 (-nDS1):** this bit is 0 when drive 1 is active and selected.

**Bit 0 (-nDS0):** this bit is 0 when the drive 0 is active and selected.

### 5.6 CF-ATA Command Description

This section defines the software requirements and the format of the commands the host sends to the CompactFlash Storage Cards. Commands are issued to the CompactFlash Storage Card by loading the required registers in the command block with the supplied parameters, and then writing the command code to the Command Register. The manner in which a command is accepted varies. There are three classes (see Table 38: CF-ATA Command Set) of command acceptance, all dependent on the host not issuing commands unless the CompactFlash Storage Card is not busy (BSY=0). All commands listed in this specification shall be implemented.

- Upon receipt of a Class 1 command, the CompactFlash Storage Card sets BSY within 400 nsec.
- Upon receipt of a Class 2 command, the CompactFlash Storage Card sets BSY within 400 nsec, sets up the sector buffer for a write operation, sets DRQ within 700  $\mu$ sec, and clears BSY within 400 nsec of setting DRQ.
- Upon receipt of a Class 3 command, the CompactFlash Storage Card sets BSY within 400nsec, sets up the sector buffer for a write operation, sets DRQ within 20 msec (assuming no re-assignments), and clears BSY within 400 nsec of setting DRQ.

## TS32M~1GCF80

### 5.6.1 CF-ATA Command Set

CF-ATA Command Set summarizes the CF-ATA command set with the paragraphs that follow describing the individual commands and the task file for each.

	Command	Code	FR	SC	SN	CY	DH	LBA	Status	Note
1	Check Power Mode	E5 or 98h	-	-	-	-	Y	-	Support	
2	Execute Drive Diagnostic	90h	-	-	-	-	Y	-	Support	
3	Erase Sector	C0h	-	Y	Y	Y	Y	Y	Support	
4	Flush Cache	E7h	-	-	-	-	Y	-	NOT Support	#3
5	Format Track	50h	-	Y	-	Y	Y	Y	Support	
6	Identify Device	ECh	-	-	-	-	Y	-	Support	
7	Idle	E3h or 97h	-	Y	-	-	Y	-	Support	
8	Idle Immediate	E1h or 95h	-	-	-	-	Y	-	Support	
9	Initialize Drive Parameters	91h	-	Y	-	-	Y	-	Support	
10	Key Management Structure Read	B9 (Feature 0-127)	Y	Y	Y	Y	Y	-	NOT Support	#1
11	Key Management Read Keying Material	B9 (Feature 80)	Y	Y	Y	Y	Y	-	NOT Support	#1
12	Key Management Change Key Management Value	B9 (Feature 81)	Y	Y	Y	Y	Y	-	NOT Support	#1
13	NOP	00h	-	-	-	-	Y	-	NOT Support	
14	Read Buffer	E4h	-	-	-	-	Y	-	Support	
15	Read DMA	C8h	-	Y	Y	Y	Y	Y	Support	
16	Read Long Sector	22h or 23h	-	-	Y	Y	Y	Y	NOT Support	#3
17	Read Multiple	C4h	-	Y	Y	Y	Y	Y	Support	
18	Read Sector(s)	20h or 21h	-	Y	Y	Y	Y	Y	Support	
19	Read Verify Sector(s)	40h or 41h	-	Y	Y	Y	Y	Y	Support	
20	Recalibrate	1Xh	-	-	-	-	Y	-	Support	
21	Request Sense	03h	-	-	-	-	Y	-	Support	
22	Security Disable Password	F6h	-	-	-	-	Y	-	NOT Support	#2
23	Security Erase Prepare	F3h	-	-	-	-	Y	-	NOT Support	#2
24	Security Erase Unit	F4h	-	-	-	-	Y	-	NOT Support	#2
25	Security Freeze Lock	F5h	-	-	-	-	Y	-	NOT Support	#2
26	Security Set Password	F1h	-	-	-	-	Y	-	NOT Support	#2
27	Security Unlock	F2h	-	-	-	-	Y	-	NOT Support	#2

	Command	Code	FR	SC	SN	CY	DH	LBA	Status	Note
28	Seek	7Xh	-	-	Y	Y	Y	Y	Support	
29	Set Feature	EFh	Y	-	-	-	Y	-	Support	
30	Set Multiple Mode	C6h	-	Y	-	-	Y	-	Support	
31	Set Sleep Mode	E6h or 99h	-	-	-	-	Y	-	Support	
32	Standby	E2 or 96h	-	-	-	-	Y	-	Support	
33	Standby Immediate	E0 or 94h	-	-	-	-	Y	-	Support	
34	Translate Sector	87h	-	Y	Y	Y	Y	Y	Support	
35	Wear Level	F5h	-	-	-	-	Y	-	Support	
36	Write Buffer	E8h	-	-	-	-	Y	-	Support	
37	Write DMA	CAh	-	Y	Y	Y	Y	Y	Support	
38	Write Long Sector	32h or 33h	-	-	Y	Y	Y	Y	Not Support	#3
39	Write Multiple	C5h	-	Y	Y	Y	Y	Y	Support	
40	Write Multiple w/o Erase	CDh	-	Y	Y	Y	Y	Y	Support	
41	Write Sector(s)	30h or 31h	-	Y	Y	Y	Y	Y	Support	
42	Write Sector(s) w/o Erase	38h	-	Y	Y	Y	Y	Y	Support	
43	Write Verify	3Ch	-	Y	Y	Y	Y	Y	Support	

#1: This command is optional, depending on the key Management scheme in use.

#2: Use of this command is not recommended by CFA

#3: Use of this command is not recommended.

#### Definitions

FR = Features Register

SC =Sector Count register (00H to FFH, 00H means 256 sectors)

SN = Sector Number register

CY = Cylinder Low/High register

DH = Head No. (0 to 15) of Drive/Head register

LBA = Logic Block Address Mode Support

- = Not used for the command

Y = Used for the command

### 5.6.2 Check Power Mode - 98h or E5h

If the CompactFlash Storage Card is in, going to, or recovering from the sleep mode, the CompactFlash Storage Card sets BSY, sets the Sector Count Register to 00h, clears BSY and generates an interrupt.

If the CompactFlash Storage Card is in Idle mode, the CompactFlash Storage Card sets BSY, sets the Sector Count Register to FFh, clears BSY and generates an interrupt.

Bit ->	7	6	5	4	3	2	1	0
<b>Command (7)</b>	98h or E5h							
<b>C/D/H (6)</b>	X		Drive		X			
<b>Cyl High (5)</b>	X							
<b>Cyl Low (4)</b>	X							
<b>Sec Num (3)</b>	X							
<b>Sec Cnt (2)</b>	X							
<b>Feature (1)</b>	X							

### 5.6.3 Execute Drive Diagnostic - 90h

When the diagnostic command is issued in a PCMCIA configuration mode, this command runs only on the CompactFlash Storage Card that is addressed by the Drive/Head register. This is because PCMCIA card interface does not allow for direct inter-drive communication (such as the ATA PDIAG and DASP signals). When the diagnostic command is issued in the True IDE Mode, the Drive bit is ignored and the diagnostic command is executed by both the Master and the Slave with the Master responding with status for both devices.

Bit ->	7	6	5	4	3	2	1	0
<b>Command (7)</b>	90h							
<b>C/D/H (6)</b>	X		Drive		X			
<b>Cyl High (5)</b>	X							
<b>Cyl Low (4)</b>	X							
<b>Sec Num (3)</b>	X							
<b>Sec Cnt (2)</b>	X							
<b>Feature (1)</b>	X							

Diagnostic Codes are returned in the Error Register at the end of the command.

Code	Error Type
01h	No Error Detected
02h	Formatter Device Error
03h	Sector Buffer Error
04h	ECC Circuitry Error
05h	Controlling Microprocessor Error
8Xh	Slave Error in True IDE Mode

## TS32M~1GCF80

### 5.6.4 Erase Sector(s) - C0h

This command is used to pre-erase and condition data sectors in advance of a Write without Erase or Write Multiple without Erase command. There is no data transfer associated with this command but a Write Fault error status can occur.

Bit ->	7	6	5	4	3	2	1	0
<b>Command (7)</b>	C0h							
<b>C/D/H (6)</b>	1	LBA	1	Drive	Head (LBA 27-24)			
<b>Cyl High (5)</b>	Cylinder High (LBA 23-16)							
<b>Cyl Low (4)</b>	Cylinder Low (LBA 15-8)							
<b>Sec Num (3)</b>	Sector Number (LBA 7-0)							
<b>Sec Cnt (2)</b>	Sector Count							
<b>Feature (1)</b>	X							

### 5.6.5 Format Track - 50h

This command writes the desired head and cylinder of the selected drive with a vendor unique data pattern (typically FFh or 00h). To remain host backward compatible, the CompactFlash Storage Card expects a sector buffer of data from the host to follow the command with the same protocol as the Write Sector(s) command although the information in the buffer is not used by the CompactFlash Storage Card. If LBA=1 then the number of sectors to format is taken from the Sec Cnt register (0=256). The use of this command is not recommended.

Bit ->	7	6	5	4	3	2	1	0
<b>Command (7)</b>	50h							
<b>C/D/H (6)</b>	1	LBA	1	Drive	Head (LBA 27-24)			
<b>Cyl High (5)</b>	Cylinder High (LBA 23-16)							
<b>Cyl Low (4)</b>	Cylinder Low (LBA 15-8)							
<b>Sec Num (3)</b>	X (LBA 7-0)							
<b>Sec Cnt (2)</b>	Count (LBA mode only)							
<b>Feature (1)</b>	X							



**TS32M~1GCF80**
**5.6.6 Identify Device – Ech**

Bit ->	7	6	5	4	3	2	1	0
<b>Command (7)</b>	ECh							
<b>C/D/H (6)</b>	X	X	X	Drive	X			
<b>Cyl High (5)</b>	X							
<b>Cyl Low (4)</b>	X							
<b>Sec Num (3)</b>	X							
<b>Sec Cnt (2)</b>	X							
<b>Feature (1)</b>	X							

The Identify Device command enables the host to receive parameter information from the CompactFlash Storage Card. This command has the same protocol as the Read Sector(s) command. The parameter words in the buffer have the arrangement and meanings defined in Table as below. All reserved bits or words are zero. Hosts should not depend on Obsolete words in Identify Device containing 0. Table specifies each field in the data returned by the Identify Device Command. In Table as below, X indicates a numeric nibble value specific to the card and aaaa indicates an ASCII string specific to the particular drive.

Word Address	Default Value	Total Bytes	Data Field Type Information
0	848Ah	2	General configuration - signature for the CompactFlash 0 lash Storage Card
	0XXX	2	General configuration – Bit Significant with ATA-4 definitions.
1	XXXXh	2	Default number of cylinders
2	0000h	2	Reserved
3	00XXh	2	Default number of heads
4	0000h	2	Obsolete
5	0000h	2	Obsolete
6	XXXXh	2	Default number of sectors per track
7-8	XXXXh	4	Number of sectors per card (Word 7 = MSW, Word 8 = LSW)
9	XXXXh	2	Obsolete
10-19	aaaa	20	Serial number in ASCII (Right Justified)
20	0000h	2	Obsolete
21	0000h	2	Obsolete
22	0004h	2	Number of ECC bytes passed on Read/Write Long Commands
23-26	aaaa	8	Firmware revision in ASCII. Big Endian Byte Order in Word
27-46	aaaa	40	Model number in ASCII (Left Justified) Big Endian Byte Order in Word
47	XXXXh	2	Maximum number of sectors on Read/Write Multiple command
48	0000h	2	Reserved
49	XX00h	2	Capabilities
50	0000h	2	Reserved

Word Address	Default Value	Total Bytes	Data Field Type Information
51	0X00h	2	PIO data transfer cycle timing mode
52	0000h	2	Obsolete
53	000Xh	2	Field Validity
54	XXXXh	2	Current numbers of cylinders
55	XXXXh	2	Current numbers of heads
56	XXXXh	2	Current sectors per track
57-58	XXXXh	4	Current capacity in sectors (LBAs)(Word 57 = LSW, Word 58 = MSW)
59	01XXh	2	Multiple sector setting
60-61	XXXXh	4	Total number of sectors addressable in LBA Mode
62	0000h	2	Reserved
63	0X0Xh	2	Multiword DMA transfer. In PC Card modes this value shall be 0h
64	00XXh	2	Advanced PIO modes supported
65	XXXXh	2	Minimum Multiword DMA transfer cycle time per word. In PC Card modes this value shall be 0h
66	XXXXh	2	Recommended Multiword DMA transfer cycle time. In PC Card modes this value shall be 0h
67	XXXXh	2	Minimum PIO transfer cycle time without flow control
68	XXXXh	2	Minimum PIO transfer cycle time with IORDY flow control
69-79	0000h	20	Reserved
80-81	0000h	4	Reserved – CF cards do not return an ATA version
82-84	XXXXh	6	Features/command sets supported
85-87	XXXXh	6	Features/command sets enabled
88	XXXXh	2	Reserved
89	XXXXh	2	Time required for Security erase unit completion
90	XXXXh	2	Time required for Enhanced security erase unit completion
91	XXXXh	2	Current Advanced power management value
92-127	0000h	72	Reserved
128	XXXXh	2	Security status
129-159	0000h	64	Vendor unique bytes
160	XXXXh	2	Power requirement description
161	0000h	2	Reserved for assignment by the CFA
162	0000h	2	Key management schemes supported
163	XXXXh	2	CF Advanced True IDE Timing Mode Capability and Setting
164	XXXXh	2	CF Advanced PC Card I/O and Memory Timing Mode Capability
165-167	0000h	6	Reserved for assignment by the CFA
168-255	0000h	158	Reserved

## TS32M~1GCF80

### ➤ **Word 0: General Configuration**

This field indicates the general characteristics of the device. When Word 0 of the Identify drive information is 848Ah then the device is a CompactFlash Storage Card and complies with the CFA specification and CFA command set. It is recommended that PCMCIA modes of operation report only the 848Ah value as they are always intended as removable devices.

Bits 15-0: CF Standard Configuration Value

Word 0 is 848Ah. This is the recommended value of Word 0.

Some operating systems require Bit 6 of Word 0 to be set to 1 (Non-removable device) to use the card as the root storage device. The Card must be the root storage device when a host completely replaces conventional disk storage with a CompactFlash Card in True IDE mode. To support this requirement and provide capability for any future removable media Cards, alternate handling of Word 0 is permitted.

Bits 15-0: CF Preferred Alternate Configuration Values

044Ah: This is the alternate value of Word 0 turns on ATA device and turns off Removable Media and Removable Device while preserving all Retired bits in the word.

0040h: This is the alternate value of Word 0 turns on ATA device and turns off Removable Media and Removable Device while zeroing all Retired bits in the word

Bit 15-12: Configuration Flag

If bits 15:12 are set to 8h then Word 0 shall be 848Ah.

If bits 15:12 are set to 0h then Bits 11:0 are set using the definitions below and the Card is required to support for the CFA command set and report that in bit 2 of Word 83.

Bit 15:12 values other than 8h and 0h are prohibited.

Bits 11-8: Retired

These bits have retired ATA bit definitions. It is recommended that the value of these bits be either the preferred value of 0h or the value of 4h that preserves the corresponding bits from the 848Ah CF signature value.

Bit 7: Removable Media Device

If Bit 7 is set to 1, the Card contains media that can be removed during Card operation.

If Bit 7 is set to 0, the Card contains nonremovable media.

Bit 6: Not Removable Controller and/or Device

**Alert! This bit will be considered for obsolescence in a future revision of this standard.**

If Bit 6 is set to 1, the Card is intended to be nonremovable during operation.

If Bit 6 is set to 0, the Card is intended to be removable during operation.

Bits 5-0: Retired/Reserved

**Alert! Bit 2 will be considered for definition in a future revision of this standard and shall be 0 at this time.**

Bits 5-1 have retired ATA bit definitions.

Bit 2 shall be 0.

Bit 0 is Reserved and shall be 0.

It is recommended that the value of bits 5-0 be either the preferred value of 00h or the value of 0Ah that preserves the corresponding bits from the 848Ah CF signature value.

### ➤ **Word 1: Default Number of Cylinders**

This field contains the number of translated cylinders in the default translation mode. This value will be the same as the number of cylinders.

### ➤ **Word 3: Default Number of Heads**

This field contains the number of translated heads in the default translation mode.

### ➤ **Word 6: Default Number of Sectors per Track**

This field contains the number of sectors per track in the default translation mode.

**TS32M~1GCF80**

- **Words 7-8: Number of Sectors per Card**  
This field contains the number of sectors per CompactFlash Storage Card. This double word value is also the first invalid address in LBA translation mode.
- **Words 10-19: Serial Number**  
This field contains the serial number for this CompactFlash Storage Card and is right justified and padded with spaces (20h).
- **Word 22: ECC Count**  
This field defines the number of ECC bytes used on each sector in the Read and Write Long commands. This value shall be set to 0004h.
- **Words 23-26: Firmware Revision**  
This field contains the revision of the firmware for this product.
- **Words 27-46: Model Number**  
This field contains the model number for this product and is left justified and padded with spaces (20h).
- **Word 47: Read/Write Multiple Sector Count**  
Bits 15-8 shall be the recommended value of 80h or the permitted value of 00h. Bits 7-0 of this word define the maximum number of sectors per block that the CompactFlash Storage Card supports for Read/Write Multiple commands.
- **Word 49: Capabilities**
  - Bit 13: Standby Timer  
If bit 13 is set to 1 then the Standby timer is supported as defined by the IDLE command  
If bit 13 is set to 0 then the Standby timer operation is defined by the vendor.
  - Bit 11: IORDY Supported  
If bit 11 is set to 1 then this CompactFlash Storage Card supports IORDY operation.  
If bit 11 is set to 0 then this CompactFlash Storage Card may support IORDY operation.
  - Bit 10: IORDY may be disabled  
Bit 10 shall be set to 0, indicating that IORDY may not be disabled.
  - Bit 9: LBA supported  
Bit 9 shall be set to 1, indicating that this CompactFlash Storage Card supports LBA mode addressing. CF devices shall support LBA addressing.
  - Bit 8: DMA Supported  
If bit 8 is set to 1 then Read DMA and Write DMA commands are supported. Bit 8 shall be set to 0. Read/Write DMA commands are not currently permitted on CF cards.
- **PIO Data Transfer Cycle Timing Mode**  
The PIO transfer timing for each CompactFlash Storage Card falls into modes that have unique parametric timing specifications. The value returned in Bits 15-8 shall be 00h for mode 0, 01h for mode 1, or 02h for mode 2. Values 03h through FFh are reserved.
- **Translation Parameters Valid**  
Bit 0 shall be set to 1 indicating that words 54 to 58 are valid and reflect the current number of cylinders, heads and sectors. If bit 1 of word 53 is set to 1, the values in words 64 through 70 are valid. If this bit is cleared to 0, the values reported in words 64-70 are not valid. Any CompactFlash Storage Card that supports PIO mode 3 or above shall set bit 1 of word 53 to one and support the fields contained in words 64 through 70.
- **Current Number of Cylinders, Heads, Sectors/Track**  
These fields contains the current number of user addressable Cylinders, Heads, and Sectors/Track in the current translation mode.
- **Current Capacity**  
This field contains the product of the current cylinders times heads times sectors.
- **Multiple Sector Setting**  
Bits 15-9 are reserved and shall be set to 0.  
Bit 8 shall be set to 1 indicating that the Multiple Sector Setting is valid.  
Bits 7-0 are the current setting for the number of sectors that shall be transferred per interrupt on Read/Write Multiple commands.
- **Total Sectors Addressable in LBA Mode**

**TS32M~1GCF80**

This field contains the total number of user addressable sectors for the CompactFlash Storage Card in LBA mode only.

➤ **Multiword DMA transfer**

Bits 15 through 8 of word 63 of the Identify Device parameter information is defined as the Multiword DMA mode selected field. If this field is supported, bit 1 of word 53 shall be set to one. This field is bit significant. Only one of bits may be set to one in this field by the CompactFlash Storage Card to indicate the multiword DMA mode which is currently selected. Of these bits, bits 15 through 11 are reserved. Bit 8, if set to one, indicates that Multiword DMA mode 0 has been selected. Bit 9, if set to one, indicates that Multiword DMA mode 1 has been selected. Bit 10, if set to one, indicates that Multiword DMA mode 2 has been selected. Selection of Multiword DMA modes 3 and above are specific to CompactFlash are reported in word 163, Word 163: CF Advanced True IDE Timing Mode Capabilities and Settings.

Bits 7 through 0 of word 63 of the Identify Device parameter information is defined as the Multiword DMA data transfer supported field. If this field is supported, bit 1 of word 53 shall be set to one. This field is bit significant. Any number of bits may be set to one in this field by the CompactFlash Storage Card to indicate the Multiword DMA modes it is capable of supporting.

Of these bits, bits 7 through 2 are reserved. Bit 0, if set to one, indicates that the CompactFlash Storage Card supports Multiword DMA mode 0. Bit 1, if set to one, indicates that the CompactFlash Storage Card supports Multiword DMA modes 1 and 0. Bit 2, if set to one, indicates that the CompactFlash Storage Card supports Multiword DMA modes 2, 1 and 0. Support for Multiword DMA modes 3 and above are specific to CompactFlash are reported in word 163, Word 163: CF Advanced True IDE Timing Mode Capabilities and Settings.

➤ **Word 64: Advanced PIO transfer modes supported**

Bits 7 through 0 of word 64 of the Identify Device parameter information is defined as the advanced PIO data transfer supported field. If this field is supported, bit 1 of word 53 shall be set to one. This field is bit significant. Any number of bits may be set to one in this field by the CompactFlash Storage Card to indicate the advanced PIO modes it is capable of supporting.

Of these bits, bits 7 through 2 are reserved. Bit 0, if set to one, indicates that the CompactFlash Storage Card supports PIO mode 3. Bit 1, if set to one, indicates that the CompactFlash Storage Card supports PIO mode 4.

Support for PIO modes 5 and above are specific to CompactFlash are reported in word 163.

➤ **Word 65: Minimum Multiword DMA transfer cycle time**

Word 65 of the parameter information of the Identify Device command is defined as the minimum Multiword DMA transfer cycle time. This field defines, in nanoseconds, the minimum cycle time that, if used by the host, the CompactFlash Storage Card guarantees data integrity during the transfer.

If this field is supported, bit 1 of word 53 shall be set to one. The value in word 65 shall not be less than the minimum cycle time for the fastest DMA mode supported by the device. This field shall be supported by all CompactFlash Storage Cards supporting DMA modes 1 and above. If bit 1 of word 53 is set to one, but this field is not supported, the Card shall return a value of zero in this field.

➤ **Recommended Multiword DMA transfer cycle time**

Word 66 of the parameter information of the Identify Device command is defined as the recommended Multiword DMA transfer cycle time. This field defines, in nanoseconds, the cycle time that, if used by the host, may optimize the data transfer from by reducing the probability that the CompactFlash Storage Card will need to negate the DMARQ signal during the transfer of a sector.

If this field is supported, bit 1 of word 53 shall be set to one. The value in word 66 shall not be less than the value in word 65. This field shall be supported by all CompactFlash Storage Cards supporting DMA modes 1 and above. If bit 1 of word 53 is set to one, but this field is not supported, the Card shall return a value of zero in this field.

➤ **Word 67: Minimum PIO transfer cycle time without flow control**

Word 67 of the parameter information of the Identify Device command is defined as the minimum PIO transfer without flow control cycle time. This field defines, in nanoseconds, the minimum cycle time that, if used by the host, the CompactFlash Storage Card guarantees data integrity during the transfer without utilization of flow control. If this field is supported, Bit 1 of word 53 shall be set to one. Any CompactFlash Storage Card that supports PIO mode 3 or above shall support this field, and the value in word 67 shall not

**TS32M~1GCF80**

be less than the value reported in word 68. If bit 1 of word 53 is set to one because a CompactFlash Storage Card supports a field in words 64-70 other than this field and the CompactFlash Storage Card does not support this field, the CompactFlash Storage Card shall return a value of zero in this field.

➤ **Word 68: Minimum PIO transfer cycle time with IORDY**

Word 68 of the parameter information of the Identify Device command is defined as the minimum PIO transfer with IORDY flow control cycle time. This field defines, in nanoseconds, the minimum cycle time that the CompactFlash Storage Card supports while performing data transfers while utilizing IORDY flow control. If this field is supported, Bit 1 of word 53 shall be set to one. Any CompactFlash Storage Card that supports PIO mode 3 or above shall support this field, and the value in word 68 shall be the fastest defined PIO mode supported by the CompactFlash Storage Card. If bit 1 of word 53 is set to one because a CompactFlash Storage Card supports a field in words 64-70 other than this field and the CompactFlash Storage Card does not support this field, the CompactFlash Storage Card shall return a value of zero in this field.

➤ **Words 82-84: Features/command sets supported**

Words 82, 83, and 84 shall indicate features/command sets supported. The value 0000h or FFFFh was placed in each of these words by CompactFlash Storage Cards prior to ATA-3 and shall be interpreted by the host as meaning that features/command sets supported are not indicated. Bits 1 through 13 of word 83 and bits 0 through 13 of word 84 are reserved. Bit 14 of word 83 and word 84 shall be set to one and bit 15 of word 83 and word 84 shall be cleared to zero to provide indication that the features/command sets supported words are valid. The values in these words should not be depended on by host implementers.

Bit 0 of word 82 shall be set to zero; the SMART feature set is not supported.

If bit 1 of word 82 is set to one, the Security Mode feature set is supported.

Bit 2 of word 82 shall be set to zero; the Removable Media feature set is not supported.

Bit 3 of word 82 shall be set to one; the Power Management feature set is supported.

Bit 4 of word 82 shall be set to zero; the Packet Command feature set is not supported.

If bit 5 of word 82 is set to one, write cache is supported.

If bit 6 of word 82 is set to one, look-ahead is supported.

Bit 7 of word 82 shall be set to zero; release interrupt is not supported.

Bit 8 of word 82 shall be set to zero; Service interrupt is not supported.

Bit 9 of word 82 shall be set to zero; the Device Reset command is not supported.

Bit 10 of word 82 shall be set to zero; the Host Protected Area feature set is not supported.

Bit 11 of word 82 is obsolete.

Bit 12 of word 82 shall be set to one; the CompactFlash Storage Card supports the Write Buffer command.

Bit 13 of word 82 shall be set to one; the CompactFlash Storage Card supports the Read Buffer command.

Bit 14 of word 82 shall be set to one; the CompactFlash Storage Card supports the NOP command.

Bit 15 of word 82 is obsolete.

Bit 0 of word 83 shall be set to zero; the CompactFlash Storage Card does not support the Download Microcode command.

Bit 1 of word 83 shall be set to zero; the CompactFlash Storage Card does not support the Read DMA Queued and Write DMA Queued commands.

Bit 2 of word 83 shall be set to one; the CompactFlash Storage Card supports the CFA feature set.

If bit 3 of word 83 is set to one, the CompactFlash Storage Card supports the Advanced Power Management feature set.

Bit 4 of word 83 shall be set to zero; the CompactFlash Storage Card does not support the Removable Media Status feature set.

➤ **Words 85-87: Features/command sets enabled**

Words 85, 86, and 87 shall indicate features/command sets enabled. The value 0000h or FFFFh was placed in each of these words by CompactFlash Storage Cards prior to ATA-4 and shall be interpreted by the host as meaning that features/command sets enabled are not indicated. Bits 1 through 15 of word 86 are reserved. Bits 0-13 of word 87 are reserved. Bit 14 of word 87 shall be set to one and bit 15 of word 87 shall be cleared to zero to provide indication that the features/command sets enabled words are valid. The values in these words should not be depended on by host implementers.

Bit 0 of word 85 shall be set to zero; the SMART feature set is not enabled.  
 If bit 1 of word 85 is set to one, the Security Mode feature set has been enabled via the Security Set Password command.  
 Bit 2 of word 85 shall be set to zero; the Removable Media feature set is not supported.  
 Bit 3 of word 85 shall be set to one; the Power Management feature set is supported.  
 Bit 4 of word 85 shall be set to zero; the Packet Command feature set is not enabled.  
 If bit 5 of word 85 is set to one, write cache is enabled.  
 If bit 6 of word 85 is set to one, look-ahead is enabled.  
 Bit 7 of word 85 shall be set to zero; release interrupt is not enabled.  
 Bit 8 of word 85 shall be set to zero; Service interrupt is not enabled.  
 Bit 9 of word 85 shall be set to zero; the Device Reset command is not supported.  
 Bit 10 of word 85 shall be set to zero; the Host Protected Area feature set is not supported.  
 Bit 11 of word 85 is obsolete.  
 Bit 12 of word 85 shall be set to one; the CompactFlash Storage Card supports the Write Buffer command.  
 Bit 13 of word 85 shall be set to one; the CompactFlash Storage Card supports the Read Buffer command.  
 Bit 14 of word 85 shall be set to one; the CompactFlash Storage Card supports the NOP command.  
 Bit 15 of word 85 is obsolete.

Bit 0 of word 86 shall be set to zero; the CompactFlash Storage Card does not support the Download Microcode command.  
 Bit 1 of word 86 shall be set to zero; the CompactFlash Storage Card does not support the Read DMA Queued and Write DMA Queued commands.  
 If bit 2 of word 86 shall be set to one, the CompactFlash Storage Card supports the CFA feature set.  
 If bit 3 of word 86 is set to one, the Advanced Power Management feature set has been enabled via the Set Features command.  
 Bit 4 of word 86 shall be set to zero; the CompactFlash Storage Card does not support the Removable Media Status feature set.

➤ **Word 89: Time required for Security erase unit completion**

Word 89 specifies the time required for the Security Erase Unit command to complete. This command shall be supported on CompactFlash Storage Cards that support security.

Value	Time
0	Value not specified
1-254	(Value * 2) minutes
255	>508 minutes

➤ **Word 90: Time required for Enhanced security erase unit completion**

Word 90 specifies the time required for the Enhanced Security Erase Unit command to complete. This command shall be supported on CompactFlash Storage Cards that support security.

Value	Time
0	Value not specified
1-254	(Value * 2) minutes
255	>508 minutes

➤ **Word 91: Advanced power management level value**

Bits 7-0 of word 91 contain the current Advanced Power Management level setting.

➤ **Word 128: Security Status**

Bit 8: Security Level

If set to 1, indicates that security mode is enabled and the security level is maximum.

If set to 0 and security mode is enabled, indicates that the security level is high.

Bit 5: Enhanced security erase unit feature supported

If set to 1, indicates that the Enhanced security erase unit feature set is supported.

Bit 4: Expire

## TS32M~1GCF80

If set to 1, indicates that the security count has expired and Security Unlock and Security Erase Unit are command aborted until a power-on reset or hard reset.

Bit 3: Freeze

If set to 1, indicates that the security is Frozen.

Bit 2: Lock

If set to 1, indicates that the security is locked.

Bit 1: Enable/Disable

If set to 1, indicates that the security is enabled.

If set to 0, indicates that the security is disabled.

Bit 0: Capability

If set to 1, indicates that CompactFlash Storage Card supports security mode feature set.

If set to 0, indicates that CompactFlash Storage Card does not support security mode feature set.

➤ **Word 160: Power Requirement Description**

This word is required for CompactFlash Storage Cards that support power mode 1.

Bit 15: VLD

If set to 1, indicates that this word contains a valid power requirement description.

If set to 0, indicates that this word does not contain a power requirement description.

Bit 14: RSV

This bit is reserved and shall be 0.

Bit 13: -XP

If set to 1, indicates that the CompactFlash Storage Card does not have Power Level 1 commands.

If set to 0, indicates that the CompactFlash Storage Card has Power Level 1 commands

Bit 12: -XE

If set to 1, indicates that Power Level 1 commands are disabled.

If set to 0, indicates that Power Level 1 commands are enabled.

Bit 0-11: Maximum current

This field contains the CompactFlash Storage Card's maximum current in mA.

➤ **Word 162: Key Management Schemes Supported**

Bit 0: CPRM support

If set to 1, the device supports CPRM Scheme (Content Protection for Recordable Media)

If set to 0, the device does not support CPRM.

Bits 1-15 are reserved for future additional Key Management schemes.

➤ **Word 163: CF Advanced True IDE Timing Mode Capabilities and Settings**

This word describes the capabilities and current settings for CFA defined advanced timing modes using the True IDE interface.

**Notice! The use of True IDE PIO Modes 5 and above or of Multiword DMA Modes 3 and above impose significant restrictions on the implementation of the host:**

**Additional Requirements for CF Advanced Timing Modes.**

There are four separate fields defined that describe support and selection of Advanced PIO timing modes and Advanced Multiword DMA timing modes. The older modes are reported in words 63 and 64.

Word 63: Multiword DMA transfer and 6.2.1.6.19: Word 64: Advanced PIO transfer modes supported.

Bits 2-0: Advanced True IDE PIO Mode Support Indicates the maximum True IDE PIO mode supported by the card.

Value	Maximum PIO mode timing selected
0	Specified in word 64
1	PIO Mode 5
2	PIO Mode 6
3-7	Reserved

Bits 5-3: Advanced True IDE Multiword DMA Mode Support Indicates the maximum True IDE Multiword DMA



mode supported by the card.

Value	Maximum Multiword DMA timing mode supported
0	Specified in word 63
1	Multiword DMA Mode 3
2	Multiword DMA Mode 4
3-7	Reserved

Bits 8-6: Advanced True IDE PIO Mode Selected Indicates the current True IDE PIO mode selected on the card.

Value	Current PIO timing mode selected
0	Specified in word 64
1	PIO Mode 5
2	PIO Mode 6
3-7	Reserved

Bits 11-9: Advanced True IDE Multiword DMA Mode Selected Indicates the current True IDE Multiword DMA Mode Selected on the card.

Value	Current Multiword DMA timing mode selected
0	Specified in word 63
1	Multiword DMA Mode 3
2	Multiword DMA Mode 4
3-7	Reserved

Bits 15-12 are reserved.

➤ **Word 164: CF Advanced PCMCIA I/O and Memory Timing Modes Capabilities and Settings**

This word describes the capabilities and current settings for CFA defined advanced timing modes using the Memory and PCMCIA I/O interface.

**Notice! The use of PCMCIA I/O or Memory modes that are 100ns or faster impose significant restrictions on the implementation of the host:**

**Additional Requirements for CF Advanced Timing Modes.**

Bits 2-0: Maximum Advanced PCMCIA I/O Mode Support Indicates the maximum I/O timing mode supported by the card.

Value	Maximum PCMCIA IO timing mode Supported
0	255ns Cycle PCMCIA I/O Mode
1	120ns Cycle PCMCIA I/O Mode
2	100ns Cycle PCMCIA I/O Mode
3	80ns Cycle PCMCIA I/O Mode
4-7	Reserved

Bits 5-3: Maximum Memory timing mode supported

Indicates the Maximum Memory timing mode supported by the card.

Value	Maximum Memory timing mode Supported
0	250ns Cycle Memory Mode
1	120ns Cycle Memory Mode
2	100ns Cycle Memory Mode
3	80ns Cycle Memory Mode
4-7	Reserved

Bits 15-6 are reserved.

## TS32M~1GCF80

### 5.6.7 Idle - 97h or E3h

This command causes the CompactFlash Storage Card to set BSY, enter the Idle mode, clear BSY and generate an interrupt. If the sector count is non-zero, it is interpreted as a timer count with each count being 5 milliseconds and the automatic power down mode is enabled. If the sector count is zero, the automatic power down mode is disabled. Note that this time base (5 msec) is different from the ATA specification.

Bit ->	7	6	5	4	3	2	1	0
<b>Command (7)</b>	97h or E3h							
<b>C/D/H (6)</b>	X		Drive		X			
<b>Cyl High (5)</b>	X							
<b>Cyl Low (4)</b>	X							
<b>Sec Num (3)</b>	X							
<b>Sec Cnt (2)</b>	Timer Count (5 msec increments)							
<b>Feature (1)</b>	X							

### 5.6.8 Idle Immediate - 95h or E1h

This command causes the CompactFlash Storage Card to set BSY, enter the Idle mode, clear BSY and generate an interrupt.

Bit ->	7	6	5	4	3	2	1	0
<b>Command (7)</b>	95h or E1h							
<b>C/D/H (6)</b>	X		Drive		X			
<b>Cyl High (5)</b>	X							
<b>Cyl Low (4)</b>	X							
<b>Sec Num (3)</b>	X							
<b>Sec Cnt (2)</b>	X							
<b>Feature (1)</b>	X							

### 5.6.9 Initialize Drive Parameters - 91h

This command enables the host to set the number of sectors per track and the number of heads per cylinder. Only the Sector Count and the Card/Drive/Head registers are used by this command.

Bit ->	7	6	5	4	3	2	1	0
<b>Command (7)</b>	91h							
<b>C/D/H (6)</b>	X	0	X	Drive	Max Head (no. of heads-1)			
<b>Cyl High (5)</b>	X							
<b>Cyl Low (4)</b>	X							
<b>Sec Num (3)</b>	X							
<b>Sec Cnt (2)</b>	Number of Sectors							
<b>Feature (1)</b>	X							

## TS32M~1GCF80

### 5.6.10 Read Buffer - E4h

The Read Buffer command enables the host to read the current contents of the CompactFlash Storage Card's sector buffer. This command has the same protocol as the Read Sector(s) command.

Bit ->	7	6	5	4	3	2	1	0
Command (7)	E4h							
C/D/H (6)	X			Drive	X			
Cyl High (5)					X			
Cyl Low (4)					X			
Sec Num (3)					X			
Sec Cnt (2)					X			
Feature (1)					X			

### 5.6.11 Read DMA – C8h

Bit ->	7	6	5	4	3	2	1	0
Command (7)	C8h							
C/D/H (6)	1	LBA	1	Drive	Head (LBA 27-24)			
Cyl High (5)	Cylinder High (LBA 23-16)							
Cyl Low (4)	Cylinder Low (LBA 15-8)							
Sec Num (3)	Sector Number (LBA 7-0)							
Sec Cnt (2)	Sector Count							
Feature (1)	X							

This command uses DMA mode to read from 1 to 256 sectors as specified in the Sector Count register. A sector count of 0 requests 256 sectors. The transfer begins at the sector specified in the Sector Number Register. When this command is issued the CompactFlash Storage Card sets BSY, puts all or part of the sector of data in the buffer. The Card is then permitted, although not required, to set DRQ, clear BSY. The Card asserts DMAREQ while data is available to be transferred. The Card asserts DMAREQ while data is available to be transferred. The host then reads the (512 \* sector-count) bytes of data from the Card using DMA. While DMAREQ is asserted by the Card, the Host asserts -DMACK while it is ready to transfer data by DMA and asserts -IORD once for each 16 bit word to be transferred to the Host.

Interrupts are not generated on every sector, but upon completion of the transfer of the entire number of sectors to be transferred or upon the occurrence of an unrecoverable error.

At command completion, the Command Block Registers contain the cylinder, head and sector number of the last sector read. If an error occurs, the read terminates at the sector where the error occurred. The Command Block Registers contain the cylinder, head, and sector number of the sector where the error occurred. The amount of data transferred is indeterminate.

When a Read DMA command is received by the Card and 8 bit transfer mode has been enabled by the Set Features command, the Card shall return the Aborted error.

**TS32M~1GCF80**
**5.6.12 Read Multiple - C4h**

Bit ->	7	6	5	4	3	2	1	0
Command (7)	C4h							
C/D/H (6)	1	LBA	1	Drive	Head (LBA 27-24)			
Cyl High (5)	Cylinder High (LBA 23-16)							
Cyl Low (4)	Cylinder Low (LBA 15-8)							
Sec Num (3)	Sector Number (LBA 7-0)							
Sec Cnt (2)	Sector Count							
Feature (1)	X							

Note: This specification requires that CompactFlash Cards support a multiple block count of 1 and permits larger values to be supported.

The Read Multiple command performs similarly to the Read Sectors command. Interrupts are not generated on every sector, but on the transfer of a block, which contains the number of sectors defined by a Set Multiple command.

Command execution is identical to the Read Sectors operation except that the number of sectors defined by a Set Multiple command is transferred without intervening interrupts. DRQ qualification of the transfer is required only at the start of the data block, not on each sector.

The block count of sectors to be transferred without intervening interrupts is programmed by the Set Multiple Mode command, which shall be executed prior to the Read Multiple command. When the Read Multiple command is issued, the Sector Count Register contains the number of sectors (not the number of blocks or the block count) requested. If the number of requested sectors is not evenly divisible by the block count, as many full blocks as possible are transferred, followed by a final, partial block transfer. The partial block transfer is for  $n$  sectors, where

$$n = (\text{sector count}) \bmod (\text{block count}).$$

If the Read Multiple command is attempted before the Set Multiple Mode command has been executed or when Read Multiple commands are disabled, the Read Multiple operation is rejected with an Aborted Command error. Disk errors encountered during Read Multiple commands are posted at the beginning of the block or partial block transfer, but DRQ is still set and the data transfer shall take place as it normally would, including transfer of corrupted data, if any.

Interrupts are generated when DRQ is set at the beginning of each block or partial block. The error reporting is the same as that on a Read Sector(s) Command. This command reads from 1 to 256 sectors as specified in the Sector Count register. A sector count of 0 requests 256 sectors. The transfer begins at the sector specified in the Sector Number Register.

At command completion, the Command Block Registers contain the cylinder, head and sector number of the last sector read.

If an error occurs, the read terminates at the sector where the error occurred. The Command Block Registers contain the cylinder, head and sector number of the sector where the error occurred. The flawed data is pending in the sector buffer.

Subsequent blocks or partial blocks are transferred only if the error was a correctable data error. All other errors cause the command to stop after transfer of the block that contained the error.

## TS32M~1GCF80

### 5.6.13 Read Sector(s) - 20h or 21h

Bit ->	7	6	5	4	3	2	1	0
<b>Command (7)</b>	20h or 21h							
<b>C/D/H (6)</b>	1	LBA	1	Drive	Head (LBA 27-24)			
<b>Cyl High (5)</b>	Cylinder High (LBA 23-16)							
<b>Cyl Low (4)</b>	Cylinder Low (LBA 15-8)							
<b>Sec Num (3)</b>	Sector Number (LBA 7-0)							
<b>Sec Cnt (2)</b>	Sector Count							
<b>Feature (1)</b>	X							

This command reads from 1 to 256 sectors as specified in the Sector Count register. A sector count of 0 requests 256 sectors. The transfer begins at the sector specified in the Sector Number Register. When this command is issued and after each sector of data (except the last one) has been read by the host, the CompactFlash Storage Card sets BSY, puts the sector of data in the buffer, sets DRQ, clears BSY, and generates an interrupt. The host then reads the 512 bytes of data from the buffer.

At command completion, the Command Block Registers contain the cylinder, head and sector number of the last sector read. If an error occurs, the read terminates at the sector where the error occurred. The Command Block Registers contain the cylinder, head, and sector number of the sector where the error occurred. The flawed data is pending in the sector buffer.

### 5.6.14 Read Verify Sector(s) - 40h or 41h

Bit ->	7	6	5	4	3	2	1	0
<b>Command (7)</b>	40h or 41h							
<b>C/D/H (6)</b>	1	LBA	1	Drive	Head (LBA 27-24)			
<b>Cyl High (5)</b>	Cylinder High (LBA 23-16)							
<b>Cyl Low (4)</b>	Cylinder Low (LBA 15-8)							
<b>Sec Num (3)</b>	Sector Number (LBA 7-0)							
<b>Sec Cnt (2)</b>	Sector Count							
<b>Feature (1)</b>	X							

This command is identical to the Read Sectors command, except that DRQ is never set and no data is transferred to the host. When the command is accepted, the CompactFlash Storage Card sets BSY.

When the requested sectors have been verified, the CompactFlash Storage Card clears BSY and generates an interrupt. Upon command completion, the Command Block Registers contain the cylinder, head, and sector number of the last sector verified.

If an error occurs, the Read Verify Command terminates at the sector where the error occurs. The Command Block Registers contain the cylinder, head and sector number of the sector where the error occurred. The Sector Count Register contains the number of sectors not yet verified.

**TS32M~1GCF80**
**5.6.15 Recalibrate - 1Xh**

Bit ->	7	6	5	4	3	2	1	0	
Command (7)	1Xh								
C/D/H (6)	1	LBA	1	Drive	X				
Cyl High (5)					X				
Cyl Low (4)					X				
Sec Num (3)					X				
Sec Cnt (2)					X				
Feature (1)					X				

This command is effectively a NOP command to the CompactFlash Storage Card and is provided for compatibility purposes.

**5.6.16 Request Sense - 03h**

Bit ->	7	6	5	4	3	2	1	0	
Command (7)	03h								
C/D/H (6)	1	X	1	Drive	X				
Cyl High (5)					X				
Cyl Low (4)					X				
Sec Num (3)					X				
Sec Cnt (2)					X				
Feature (1)					X				

This command requests extended error information for the previous command. Table defines the valid extended error codes for the CompactFlash Storage Card Series product. The extended error code is returned to the host in the Error Register.

Table: Extended Error Codes

Extended Error Code	Description
00h	No Error Detected
01h	Self Test OK (No Error)
09h	Miscellaneous Error
20h	Invalid Command
21h	Invalid Address (Requested Head or Sector Invalid)
2Fh	Address Overflow (Address Too Large)
35h, 36h	Supply or generated Voltage Out of Tolerance
11h	Uncorrectable ECC Error
18h	Corrected ECC Error
05h, 30-34h, 37h, 3Eh	Self Test or Diagnostic Failed
10h, 14h	ID Not Found
3Ah	Spare Sectors Exhausted
1Fh	Data Transfer Error / Aborted Command
0Ch, 38h, 3Bh, 3Ch, 3Fh	Corrupted Media Format
03h	Write / Erase Failed
22h	Power Level 1 Disabled

### 5.6.17 Seek - 7Xh

Bit ->	7	6	5	4	3	2	1	0
Command (7)	7Xh							
C/D/H (6)	1	LBA	1	Drive	Head (LBA 27-24)			
Cyl High (5)	Cylinder High (LBA 23-16)							
Cyl Low (4)	Cylinder Low (LBA 15-8)							
Sec Num (3)	X (LBA 7-0)							
Sec Cnt (2)	X							
Feature (1)	X							

This command is effectively a NOP command to the CompactFlash Storage Card although it does perform a range check of cylinder and head or LBA address and returns an error if the address is out of range.

**TS32M~1GCF80**
**5.6.18 Set Features – EFh**

Bit ->	7	6	5	4	3	2	1	0
Command (7)	EFh							
C/D/H (6)		X		Drive			X	
Cyl High (5)					X			
Cyl Low (4)					X			
Sec Num (3)					X			
Sec Cnt (2)						Config		
Feature (1)								Feature

This command is used by the host to establish or select certain features. If any subcommand input value is not supported or is invalid, the Compact Flash Storage Card shall return command aborted. Table: Feature Supported defines all features that are supported.

**Table: Feature Supported**

Feature	Operation
01h	Enable 8 bit data transfers.
02h	Enable Write Cache.
03h	Set transfer mode based on value in Sector Count register.
05h	Enable Advanced Power Management.
09h	Enable Extended Power operations. <b>(Alert: It has been proposed to remove this feature from a future revision of the specification. Please notify the CFA if you have a requirement for this feature.)</b>
0Ah	Enable Power Level 1 commands.
44h	Product specific ECC bytes apply on Read/Write Long commands.
55h	Disable Read Look Ahead.
66h	Disable Power on Reset (POR) establishment of defaults at Soft Reset.
69h	NOP - Accepted for backward compatibility.
81h	Disable 8 bit data transfer.
82h	Disable Write Cache.
85h	Disable Advanced Power Management.
89h	Disable Extended Power operations. <b>(Alert: It has been proposed to remove this feature from a future revision of the specification. Please notify the CFA if you have a requirement for this feature.)</b>
8Ah	Disable Power Level 1 commands.
96h	NOP - Accepted for backward compatibility.
97h	Accepted for backward compatibility. Use of this Feature is not recommended.
9Ah	Set the host current source capability. Allows tradeoff between current drawn and read/write speed.
AAh	Enable Read Look Ahead.
BBh	4 bytes of data apply on Read/Write Long commands.
CCh	Enable Power on Reset (POR) establishment of defaults at Soft Reset.



## TS32M~1GCF80

Features 01h and 81h are used to enable and clear 8 bit data transfer modes in True IDE Mode. If the 01h feature command is issued all data transfers shall occur on the low order D[7:0] data bus and the -IOIS16 signal shall not be asserted for data register accesses. The host shall not enable this feature for DMA transfers.

Features 02h and 82h allow the host to enable or disable write cache in CompactFlash Storage Cards that implement write cache. When the subcommand disable write cache is issued, the CompactFlash Storage Card shall initiate the sequence to flush cache to non-volatile memory before command completion.

Feature 03h allows the host to select the PIO or Multiword DMA transfer mode by specifying a value in the Sector Count register. The upper 5 bits define the type of transfer and the low order 3 bits encode the mode value. One PIO mode shall be selected at all times. For Cards which support DMA, one Multiword DMA mode shall be selected at all times. The host may change the selected modes by the Set Features command.

Mode	Bits(7:3)	Bits(2:0)
PIO default mode	00000b	000b
PIO default mode, disable IORDY	00000b	001b
PIO flow control transfer mode	00001b	Mode
Reserved	00010b	N/A
Multiword DMA mode	00100b	Mode
Reserved	01000b	N/A
Reserved	10000b	N/A

Mode = transfer mode number

A CompactFlash Storage Card reporting support for Multiword DMA modes shall support all Multiword DMA modes below the highest mode supported. For example, if Multiword DMA mode 2 support is reported, then modes 1 and 0 shall also be supported.

### 5.6.19 Set Multiple Mode - C6h

Bit ->	7	6	5	4	3	2	1	0
<b>Command (7)</b>	C6h							
<b>C/D/H (6)</b>		X		Drive			X	
<b>Cyl High (5)</b>				X				
<b>Cyl Low (4)</b>				X				
<b>Sec Num (3)</b>				X				
<b>Sec Cnt (2)</b>	Sector Count							
<b>Feature (1)</b>				X				

This command enables the CompactFlash Storage Card to perform Read and Write Multiple operations and establishes the block count for these commands. The Sector Count Register is loaded with the number of sectors per block. Upon receipt of the command, the CompactFlash Storage Card sets BSY to 1 and checks the Sector Count Register.

If the Sector Count Register contains a valid value and the block count is supported, the value is loaded and execution is enabled for all subsequent Read Multiple and Write Multiple commands. If the block count is not supported, an Aborted Command error is posted and the Read Multiple and Write Multiple commands are disabled. If the Sector Count Register contains 0 when the command is issued, Read and Write Multiple commands are disabled. At power on, or after a hardware or (unless disabled by a Set Feature command) software reset, the default mode is Read and Write Multiple disabled.

## TS32M~1GCF80

### 5.6.20 Set Sleep Mode- 99h or E6h

Bit ->	7	6	5	4	3	2	1	0
Command (7)	99h or E6h							
C/D/H (6)	X			Drive	X			
Cyl High (5)					X			
Cyl Low (4)					X			
Sec Num (3)					X			
Sec Cnt (2)					X			
Feature (1)					X			

This command causes the CompactFlash Storage Card to set BSY, enter the Sleep mode, clear BSY and generate an interrupt. Recovery from sleep mode is accomplished by simply issuing another command (a reset is permitted but not required). Sleep mode is also entered when internal timers expire so the host does not need to issue this command except when it wishes to enter Sleep mode immediately. The default value for the timer is 5 milliseconds. Note that this time base (5 msec) is different from the ATA Specification.

### 5.6.21 Standby - 96h or E2h

Bit ->	7	6	5	4	3	2	1	0
Command (7)	96h or E2h							
C/D/H (6)	X			Drive	X			
Cyl High (5)					X			
Cyl Low (4)					X			
Sec Num (3)					X			
Sec Cnt (2)					X			
Feature (1)					X			

This command causes the CompactFlash Storage Card to set BSY, enter the Sleep mode (which corresponds to the ATA "Standby" Mode), clear BSY and return the interrupt immediately. Recovery from sleep mode is accomplished by simply issuing another command (a reset is not required).

## TS32M~1GCF80

### 5.6.22 Standby Immediate - 94h or E0h

Bit ->	7	6	5	4	3	2	1	0
Command (7)	94h or E0h							
C/D/H (6)		X		Drive			X	
Cyl High (5)					X			
Cyl Low (4)				X				
Sec Num (3)				X				
Sec Cnt (2)				X				
Feature (1)				X				

This command causes the CompactFlash Storage Card to set BSY, enter the Sleep mode (which corresponds to the ATA "Standby" Mode), clear BSY and return the interrupt immediately. Recovery from sleep mode is accomplished by simply issuing another command (a reset is not required).

### 5.6.23 Translate Sector - 87h

Bit ->	7	6	5	4	3	2	1	0
Command (7)	87h							
C/D/H (6)	1	LBA	1	Drive		Head (LBA 27-24)		
Cyl High (5)	Cylinder High (LBA 23-16)							
Cyl Low (4)	Cylinder Low (LBA 15-8)							
Sec Num (3)	Sector Number (LBA 7-0)							
Sec Cnt (2)					X			
Feature (1)					X			

This command allows the most a method of determining the exact number of times a user sector has been erased and programmed. The controller responds with a 512 byte buffer of information containing the desired cylinder, head and sector, including its Logical Address, and the Hot Count, if available, for that sector. Table represents the information in the buffer. Please note that this command is unique to the CompactFlash Storage Card.

**Table:Translate Sector Information**

Address	Information
00h-01h	Cylinder MSB (00), Cylinder LSB (01)
02h	Head
03h	Sector
04h-06h	LBA MSB (04) - LSB (06)
07h-12h	Reserved
13h	Erased Flag (FFh) = Erased; 00h = Not Erased
14h - 17h	Reserved
18h-1Ah	Hot Count MSB (18) - LSB (1A) <sup>1</sup>
1Bh-1FFh	Reserved

## TS32M~1GCF80

### 5.6.24 Wear Level - F5h

Bit ->	7	6	5	4	3	2	1	0
Command (7)	F5h							
C/D/H (6)	X	X	X	Drive	Flag			
Cyl High (5)					X			
Cyl Low (4)					X			
Sec Num (3)					X			
Sec Cnt (2)	Completion Status							
Feature (1)					X			

For the CompactFlash Storage Cards that do not support security mode feature set, this command is effectively a NOP command and only implemented for backward compatibility. The Sector Count Register shall always be returned with a 00h indicating Wear Level is not needed. If the CompactFlash Storage Card supports security mode feature set, this command shall be handled as Security Freeze Lock.

### 5.6.25 Write Buffer - E8h

Bit ->	7	6	5	4	3	2	1	0
Command (7)	E8h							
C/D/H (6)	X			Drive	X			
Cyl High (5)					X			
Cyl Low (4)					X			
Sec Num (3)					X			
Sec Cnt (2)					X			
Feature (1)					X			

The Write Buffer command enables the host to overwrite contents of the CompactFlash Storage Card's sector buffer with any data pattern desired. This command has the same protocol as the Write Sector(s) command and transfers 512 bytes.

### 5.6.26 Write DMA – CAh

Bit ->	7	6	5	4	3	2	1	0
Command (7)	CAh							
C/D/H (6)	1	LBA	1	Drive	Head (LBA 27-24)			
Cyl High (5)	Cylinder High (LBA 23-16)							
Cyl Low (4)	Cylinder Low (LBA 15-8)							
Sec Num (3)	Sector Number (LBA 7-0)							
Sec Cnt (2)	Sector Count							
Feature (1)					X			

## TS32M~1GCF80

This command uses DMA mode to write from 1 to 256 sectors as specified in the Sector Count register. A sector count of 0 requests 256 sectors. The transfer begins at the sector specified in the Sector Number Register. When this command is issued the CompactFlash Storage Card sets BSY, puts all or part of the sector of data in the buffer. The Card is then permitted, although not required, to set DRQ, clear BSY. The Card asserts DMAREQ while data is available to be transferred. The host then writes the (512 \* sector-count) bytes of data to the Card using DMA. While DMAREQ is asserted by the Card, the Host asserts -DMACK while it is ready to transfer data by DMA and asserts -IOWR once for each 16 bit word to be transferred from the Host.

Interrupts are not generated on every sector, but upon completion of the transfer of the entire number of sectors to be transferred or upon the occurrence of an unrecoverable error.

At command completion, the Command Block Registers contain the cylinder, head and sector number of the last sector read. If an error occurs, the read terminates at the sector where the error occurred. The Command Block Registers contain the cylinder, head, and sector number of the sector where the error occurred. The amount of data transferred is indeterminate.

When a Write DMA command is received by the Card and 8 bit transfer mode has been enabled by the Set Features command, the Card shall return the Aborted error.

### 5.6.27 Write Multiple Command - C5h

Bit ->	7	6	5	4	3	2	1	0
Command (7)	C5h							
C/D/H (6)	1	LBA	1	Drive	Head			
Cyl High (5)	Cylinder High							
Cyl Low (4)	Cylinder Low							
Sec Num (3)	Sector Number							
Sec Cnt (2)	Sector Count							
Feature (1)	X							

Note: This specification requires that CompactFlash Cards support a multiple block count of 1 and permits larger values to be supported.

This command is similar to the Write Sectors command. The CompactFlash Storage Card sets BSY within 400 nsec of accepting the command. Interrupts are not presented on each sector but on the transfer of a block that contains the number of sectors defined by Set Multiple. Command execution is identical to the Write Sectors operation except that the number of sectors defined by the Set Multiple command is transferred without intervening interrupts.

DRQ qualification of the transfer is required only at the start of the data block, not on each sector. The block count of sectors to be transferred without intervening interrupts is programmed by the Set Multiple Mode command, which shall be executed prior to the Write Multiple command.

When the Write Multiple command is issued, the Sector Count Register contains the number of sectors (not the number of blocks or the block count) requested. If the number of requested sectors is not evenly divisible by the block count, as many full blocks as possible are transferred, followed by a final, partial block transfer. The partial block transfer is for n sectors, where:

$$n = (\text{sector count}) \bmod (\text{block count}).$$

If the Write Multiple command is attempted before the Set Multiple Mode command has been executed or when Write Multiple commands are disabled, the Write Multiple operation shall be rejected with an aborted command error.

## TS32M~1GCF80

Errors encountered during Write Multiple commands are posted after the attempted writes of the block or partial block transferred. The Write command ends with the sector in error, even if it is in the middle of a block. Subsequent blocks are not transferred in the event of an error. Interrupts are generated when DRQ is set at the beginning of each block or partial block.

The Command Block Registers contain the cylinder, head and sector numbers of the sector where the error occurred. The Sector Count Register contains the residual number of sectors that need to be transferred for successful completion of the command, e.g., each block has 4 sectors, a request for 8 sectors is issued and an error occurs on the third sector. The Sector Count Register contains 6 and the address is that of the third sector.

### 5.6.28 Write Multiple without Erase – CDh

Bit ->	7	6	5	4	3	2	1	0
<b>Command (7)</b>	CDh							
<b>C/D/H (6)</b>	X1	LBA	1	Drive	Head			
<b>Cyl High (5)</b>	Cylinder High							
<b>Cyl Low (4)</b>	Cylinder Low							
<b>Sec Num (3)</b>	Sector Number							
<b>Sec Cnt (2)</b>	Sector Count							
<b>Feature (1)</b>	X							

This command is similar to the Write Multiple command with the exception that an implied erase before write operation is not performed. The sectors should be pre-erased with the Erase Sector(s) command before this command is issued.

### 5.6.29 Write Sector(s) - 30h or 31h

Bit ->	7	6	5	4	3	2	1	0
<b>Command (7)</b>	30h or 31h							
<b>C/D/H (6)</b>	1	LBA	1	Drive	Head (LBA 27-24)			
<b>Cyl High (5)</b>	Cylinder High (LBA 23-16)							
<b>Cyl Low (4)</b>	Cylinder Low (LBA 15-8)							
<b>Sec Num (3)</b>	Sector Number (LBA 7-0)							
<b>Sec Cnt (2)</b>	Sector Count							
<b>Feature (1)</b>	X							

This command writes from 1 to 256 sectors as specified in the Sector Count Register. A sector count of zero requests 256 sectors. The transfer begins at the sector specified in the Sector Number Register. When this command is accepted, the CompactFlash Storage Card sets BSY, then sets DRQ and clears BSY, then waits for the host to fill the sector buffer with the data to be written. No interrupt is generated to start the first host transfer operation. No data should be transferred by the host until BSY has been cleared by the host.

For multiple sectors, after the first sector of data is in the buffer, BSY shall be set and DRQ shall be cleared. After the next buffer is ready for data, BSY is cleared, DRQ is set and an interrupt is generated. When the final sector of data is transferred, BSY is set and DRQ is cleared. It shall remain in this state until the command is completed at which time BSY is cleared and an interrupt is generated.

## TS32M~1GCF80

If an error occurs during a write of more than one sector, writing terminates at the sector where the error occurs. The Command Block Registers contain the cylinder, head and sector number of the sector where the error occurred. The host may then read the command block to determine what error has occurred, and on which sector.

### 5.6.30 Write Sector(s) without Erase - 38h

Bit ->	7	6	5	4	3	2	1	0
Command (7)	38h							
C/D/H (6)	1	LBA	1	Drive	Head (LBA 27-24)			
Cyl High (5)	Cylinder High (LBA 23-16)							
Cyl Low (4)	Cylinder Low (LBA 15-8)							
Sec Num (3)	Sector Number (LBA 7-0)							
Sec Cnt (2)	Sector Count							
Feature (1)	X							

This command is similar to the Write Sector(s) command with the exception that an implied erase before write operation is not performed. This command has the same protocol as the Write Sector(s) command. The sectors should be pre-erased with the Erase Sector(s) command before this command is issued. If the sector is not pre-erased with the Erase Sector(s) command, a normal write sector operation will occur.

### 5.6.31 Write Verify - 3Ch

Bit ->	7	6	5	4	3	2	1	0
Command (7)	3Ch							
C/D/H (6)	1	LBA	1	Drive	Head (LBA 27-24)			
Cyl High (5)	Cylinder High (LBA 23-16)							
Cyl Low (4)	Cylinder Low (LBA 15-8)							
Sec Num (3)	Sector Number (LBA 7-0)							
Sec Cnt (2)	Sector Count							
Feature (1)	X							

This command is similar to the Write Sector(s) command, except each sector is verified immediately after being written. This command has the same protocol as the Write Sector(s) command.

**■ Error Posting**

Command	Error Register					Status Register				
	BBK	UNC	IDNF	ABRT	AMNF	DRDY	DWF	DSC	CORR	ERR
Check Power Mode				V		V	V	V		V
Execute Drive Diagnostic <sub>1</sub>						V		V		V
Erase Sector(s)	V		V	V	V	V	V	V		V
Format Track			V	V	V	V	V	V		V
Identify Device				V		V	V	V		V
Idle				V		V	V	V		V
Idle Immediate				V		V	V	V		V
Initialize Drive Parameters						V		V		V
Read Buffer				V		V	V	V		V
Read DMA	V	V	V	V	V	V	V	V	V	V
Read Multiple	V	V	V	V	V	V	V	V	V	V
Read Sector(s)	V	V	V	V	V	V	V	V	V	V
Read Verify Sectors	V	V	V	V	V	V	V	V	V	V
Recalibrate				V		V	V	V		V
Request Sense				V		V		V		V
Seek			V	V		V	V	V		V
Set Features				V		V	V	V		V
Set Multiple Mode				V		V	V	V		V
Set Sleep Mode				V		V	V	V		V
Stand By				V		V	V	V		V
Stand By Immediate				V		V	V	V		V
Translate Sector	V		V	V	V	V	V	V		V
Wear Level	V	V	V	V	V	V	V	V		V
Write Buffer				V		V	V	V		V
Write DMA	V		V	V	V	V	V	V		V
Write Multiple	V		V	V	V	V	V	V		V
Write Multiple w/o Erase	V		V	V	V	V	V	V		V
Write Sector(s)	V		V	V	V	V	V	V		V
Write Sector(s) w/o Erase	V		V	V	V	V	V	V		V
Write Verify	V		V	V	V	V	V	V		V
Invalid Command Code				V		V	V	V		V

Error and Status Register summarizes the valid status and error value for all the CF-ATA Command set.



**TS32M~1GCF80**
**6.CIS Description:**

Address	Data	7 6 5 4 3 2 1 0	Description of Contents	CIS function
000h	01h	CISTPL_DEVICE	Device Info tuple	Tuple code
002h	04h	TPL_LINK Link	length is 4 byte	Link to next tuple
004h	DFh	Device Type W Speed	Type=D: I/O device WPS=1 : no WP switch Speed=7: extend bye	Device type, WPS speed
006h	79h	Speed	79:80ns	Speed
008h	01h	# Address units -1 unit size	2 Kbytes of address space	Device size
00Ah	FFh	CISTPL_END	End of CISTPL_DEVICE	End marker
00Ch	1Ch	CISTPL_DEVICE_OC	Common memory other operating conditions tuple	Tuple code
00Eh	05h	TPL_LINK Link	Length is 5 byte	Link to next tuple
010h	02h	Ext Reserved 3V M	3V=1: dual voltage card, conditions for 3.3V operation M=0: conditions without wait	Other Conditions Information
012h	DFh	Device Type W Speed	Type=D: I/O device WPS=1 : no WP switch Speed=7: extend bye	Device type, WPS speed
014h	79h	Speed	79:80ns	Speed
016h	01h	# Address units -1 unit size	2 Kbytes of address space	Device size
018h	FFh	CISTPL_END	End of CISTPL_DEVICE_OC	End marker
01Ah	18h	CISTPL_JEDEC_C	JEDEC programming info tuple	Tuple code
01Ch	02h	TPL_LINK	Link length is 2 byte	Link to next tuple
01Eh	DFh	JEDEC ID Device	Mnufacturer ID	Manufacturer ID
020h	01h	JEDEC Info	Manufacturer specific info	Manufacturer info
022h	20h	CISTPL_MANFID	Manufacturer ID tuple	Tuple code
024h	04h	TPL_LINK Link	Length is 4 bytes	Link to next tuple
026h	0Ah	TPLMID_MANF	PC Card manufacturer code	Manufacturer ID
028h	00h			
02Ah	00h	TPLMID_CARD	Manufacturer specific info	Manufacturer info
02Ch	00h			
02Eh	15h	CISTPL_VERS_1	Level 1 version/product info	Tuple code

**TS32M~1GCF80**

Address	Data	7 6 5 4 3 2 1 0	Description of Contents	CIS function
030h	1Bh	CISTPL_LINK	Link length is 27 bytes	Link to next tuple
032h	04h	TPPLV1_MAJOR	PCMCIA2.0/JEIDA4.1	Major version
034h	01h	TPPLV1_MINOR	PCMCIA2.0/JEIDA4.1	Major version
036h	54h		'T'	Info string 1
038h	52h		'R'	
03Ah	41h		'A'	
03Ch	4Eh		'N'	
03Eh	53h		'S'	
040h	43h		'C'	
042h	45h		'E'	
044h	4Eh		'N'	
046h	44h		'D'	
048h	20h		' '	
04Ah	00h		Null terminator	
04Ch	54h...		Transcend PRODUCT Name	Info string 2
064h	00h		Null terminator	
066h	FFh		End of CISTPL_VERS_1	End marker
068h	21h	CISTPL_FUNCID	Function ID tuple	Tuple code
06Ah	02h	CISTPL_LINK	Link length is 2 bytes	Link to next tuple
06Ch	04h	TPLFID_FUNCTION	Fixed disk drive	Function code
06Eh	01h	Reserved R P	R=0: no expansion ROM P=1: configure at POST	System init byte TPLFID_SYSINIT
070h	22h	CISTPL_FUNCE	Function Extension tuple	Tuple code
072h	02h	CISTPL_LINK	Link length is 2 bytes	Link to next tuple
074h	01h	Disk function extension tuple	Disk interface information	TPLFE_TYPE
076h	01h	Disk interface type	PC card ATA interface	TPLFE_DATA
078h	22h	CISTPL_FUNCE	Function Extension tuple	Tuple code
07Ah	03h	CISTPL_LINK	Link length is 3 bytes	Link to next tuple
07Ch	02h	Disk function extension tuple	PC card ATA basic features	TPLFE_TYPE

Address	Data	7 6 5 4 3 2 1 0	Description of Contents	CIS function
07Eh	0Ch	Reserved D U S V	D=0: single drive on card U=1: unique serial number S=1: silicon device V=00: no VPP required	TPLFE_TYPE
080h	0Fh	R I E N P	I=0: twin IOIS16# unspecified E=0: index bit not emulated N=0: I/O includes 0x3F7 P=F(1111):low power, sleep, standby, idle supported	TPLFE_TYPE
082h	1Ah	CISTPL_CONFIG	Configuration Tuple	Tuple code
084h	05h	TPL_LINK	Link length is 5 bytes	Link to next tuple
086h	01h	RFS RMS RAS	RFS: reserved RMS: 1 byte register mask RAS: 2 bytes base address	Size of fields TPCC_SZ
088h	03h	TPCC_LAST	Last configuration entry is 03H	Last entry index
08Ah	00h	TPCC_RADR (LSB)	Configuration registers are	Configuration
08Ch	02h	TPCC_RADR (MSB)	Located at 0200H	Register location
08Eh	0Fh	TPCC_RMSK	Configuration registers 0 to 3 are present	Configuration register present mask
090h	1Bh	CISTPL_CFTABLE_ENTRY	Configuration tuple	Tuple code
092h	08h	CISTPL_LINK	Link length is 8 bytes	Link to next tuple
094h	C0h	I D Configuration Index	Memory mapped configuration, index=0 I=1: Interface byte follows D=1: Default entry	Configuration Table Index Byte TPCE_INDX
096h	C0h	W R P B Interface type	W=1: wait required R=1: ready/busy active P=0: WP not used B=0: BVD1, BVD2 not used Type=0: Memory interface	Interface Description TPCE_IF

**TS32M~1GCF80**

Address	Data	7 6 5 4 3 2 1 0	Description of Contents	CIS function
098h	A1h	M MS IR IO T Power	M=1: misc info present MS=1: 2 byte memory length IR=0: no interrupt is used IO=0: no I/O space is used T=0: no timing info specified Power=1: VCC info, no VPP	Feature Selection Byte TPCE_FS
09Ah	01h	R DI PI AI SI HV LV NV	DI: no power-down current PI: no peak current info AI: no average current info SI: no static current info HV: no max voltage info LV: no min voltage info NV=1: nominal voltage info	Power Description Structure Parameter Selection Byte TPCE_PD
09Ch	55h	X Mantissa Exponent	Nominal voltage 5.0V	
09Eh	08h	Length in 256 byte units (LSB)	Length of memory space is 2	Memory space
0A0h	00h	Length in 256 byte units (MSB)	Kbyte	descr. TPCE_MS
0A2h	20h	X R P RO A T	X=0: no more misc fields P=1: power-down supported RO=0: read/write media A=0: audio not supported T=0: max twins is 0	Miscellaneous features TPCE_MI
0A4h	1Bh	CISTPL_CFTABLE_ENTRY	Configuration tuple	Tuple code
0A6h	06h	CISTPL_LINK	Link length is 6 bytes	Link to next tuple
0A8h	00h	I D Configuration Index	Memory mapped configuration, index=0	TPCE_INDX
0AAh	01h	M MS IR IO T Power	Power=1: VCC info, no VPP	TPCE_FS
0ACh	21h	R DI PI AI SI HV LV NV	PI=1: peak current info NV=1: nominal voltage info	TPCE_PD
0AEh	B5h	X Mantissa Exponent	X=1: extension byte present	
0B0h	1Eh	X Extension	Nominal voltage 3.30V	
0B2h	4Dh	X Mantissa Exponent	Peak current 45 mA	

**TS32M~1GCF80**

Address	Data	7 6 5 4 3 2 1 0	Description of Contents	CIS function
0B4h	1Bh	CISTPL_CFTABLE_ENTRY	Configuration tuple	Tuple code
0B6h	0Ah	CISTPL_LINK	Link length is 10 bytes	Link to next tuple
0B8h	C1h	I D Configuration Index	I/O mapped, index=1 I=1: Interface byte follows D=1: Default entry	TPCE_INDX
0BAh	41h	W R P B Interface type	W=0: wait not required R=1: ready/busy active P=0: WP not used B=0: BVD1, BVD2 not used Type=1: I/O interface	TPCE_IF
0BCh	99h	M MS IR IO T Power	M=1: misc info present MS=0: no memory space info IR=1: interrupt is used IO=1: I/O space is used T=0: no timing info specified Power=1: VCC info, no VPP	TPCE_FS
0BEh	01h	R DI PI AI SI HV LV NV	DI: no power-down current PI: no peak current info AI: no average current info SI: no static current info HV:no max voltage info LV:no min voltage info NV=1: nominal voltage info	TPCE_PD
0C0h	55h	X Mantissa Exponent	Nominal voltage 5.0V	
0C2h	64h	R S E IO	S =1: support 16 bit hosts E =1: support 8 bit hosts IO=4: 4 address lines decoded	TPCE_IO

Address	Data	7 6 5 4 3 2 1 0	Description of Contents	CIS function
0C4h	F0h	S P L M V B I N	S=1: interrupt sharing logic P=1: pulse mode supported L=1: level mode supported M=1: masks V..N present V=0: no vendor unique IRQ B=0: no bus error IRQ I=0: no I/O check IRQ N=0: no NMI	TPCE_IR
0C6h	FFh	IRQ7..0	Interrupt signal may be	
0C8h	FFh	IRQ15..8	Assigned to any host IRQ	
0CAh	20h	X R P RO A T	X=0: no more misc fields P=1: power-down supported RO=0:read/write media A=0: audio not supported T=0: max twins is 0	TPCE_MI
0CCh	1Bh	CISTPL_CFTABLE_ENTRY	Configuration tuple	Tuple code
0CEh	06h	CISTPL_LINK	Link length is 6 bytes	Link to next tuple
0D0h	01h	I D Configuration Index	I/O mapped, index=1	TPCE_INDX
0D2h	01h	M MS IR IO T Power	Power=1: VCC info, no VPP	TPCE_FS
0D4h	21h	R DI PI AI SI HV LV NV	PI=1: peak current info NV=1: nominal voltage info	TPCE_PD
0D6h	B5h	X Mantissa Exponent	X=1: extension byte present	
0D8h	1Eh	X Extension	Nominal voltage 3.30V	
0DAh	4Dh	X Mantissa Exponent	Peak current 45 mA	
0DCh	1Bh	CISTPL_CFTABLE_ENTRY	Configuration tuple	Tuple code
0DEh	0Fh	CISTPL_LINK	Link length is 15 bytes	Link to next tuple
0E0h	C2h	I D Configuration Index	I/O mapped, index=2 I=1: Interface byte follows D=1: Default entry	TPCE_INDX

Address	Data	7 6 5 4 3 2 1 0	Description of Contents	CIS function
0E2h	41h	W R P B Interface type	W=0: wait not required R=1: ready/busy active P=0: WP not used B=0: BVD1, BVD2 not used Type=1: I/O interface	TPCE_IF
0E4h	99h	M MS IR IO T Power	M=1: misc info present MS=0: no memory space info IR=1: interrupt is used IO=1: I/O space is used T=0: no timing info specified Power=1: VCC info, no VPP	TPCE_FS
0E6h	01h	R DI PI AI SI HV LV NV	DI: no power-down current PI: no peak current info AI: no average current info SI: no static current info HV: no max voltage info LV: no min voltage info NV=1: nominal voltage info	TPCE_PD
0E8h	55h	X Mantissa Exponent	Nominal voltage 5.0V	
0EAh	EAh	R S E IO	R=1: range follows S=1: support 16 bit hosts E=1: support 8 bit hosts IO=10: 10 lines decoded	TPCE_IO
0ECh	61h	LS AS NR	LS=1: 1 byte length AS=2: 2 byte address NR=1: 2 address ranges	
0EEh	F0h	Base address 1 (LSB)	Address range 1	
0F0h	01h	Base address 1 (MSB)	0x1F0 to 0x1F7	
0F2h	07h	Address range 1 length		
0F4h	F6h	Base address 2 (LSB)	Address range 2	
0F6h	03h	Base address 2 (MSB)	0x3F6 to 0x3F7	
0F8h	01h	Address range 2 length		

Address	Data	7 6 5 4 3 2 1 0	Description of Contents	CIS function
0FAh	EEh	S P L M IRQN	S=1: interrupt sharing logic P=1: pulse mode supported L=1: level mode supported M=0: masks V..N not present IRQN=14: use interrupt 14	TPCE_IR
0FCh	20h	X R P RO A T	X=0: no more misc fields P=1: power-down supported RO=0: read/write media A=0: audio not supported T=1: max twins is 0	TPCE_MI
0FEh	1Bh	CISTPL_CFTABLE_ENTRY	Configuration tuple	Tuple code
100h	06h	CISTPL_LINK	Link length is 6 bytes	Link to next tuple
102h	02h	I D Configuration Index	I/O mapped, index=2	TPCE_INDX
104h	01h	M MS IR IO T Power	Power=1: VCC info, no VPP	TPCE_FS
106h	21h	R DI PI AI SI HV LV NV	PI=1: peak current info NV=1: nominal voltage info	TPCE_PD
108h	B5h	X Mantissa Exponent	X=1: extension byte present	
10Ah	1Eh	X Extension	Nominal voltage 3.30V	
10Ch	4Dh	X Mantissa Exponent	Peak current 45 mA	
10Eh	1Bh	CISTPL_CFTABLE_ENTRY	Configuration tuple	Tuple code
110h	0Fh	CISTPL_LINK	Link length is 15 bytes	Link to next tuple
112h	C3h	I D Configuration Index	I/O mapped, index=3 I=1: Interface byte follows D=1: Default entry	TPCE_INDX
114h	41h	W R P B Interface type	W=0: wait not required R=1: ready/busy active P=0: WP not used B=0: BVD1, BVD2 not used Type=1: I/O interface	TPCE_IF



Address	Data	7 6 5 4 3 2 1 0	Description of Contents	CIS function
116h	99h	M MS IR IO T Power	M=1: misc info present MS=0: no memory space info IR=1: interrupt is used IO=1: I/O space is used T=0: no timing info specified Power=1: VCC info, no VPP	TPCE_FS
118h	1h	R DI PI AI SI HV LV NV	DI: no power-down current PI: no peak current info AI: no average current info SI: no static current info HV: no max voltage info LV: no min voltage info NV=1: nominal voltage info	TPCE_PD
11Ah	55h	X Mantissa Exponent	Nominal voltage 5.0V	
11Ch	EAh	R S E IO	R=1: range follows S=1: support 16 bit hosts E=1: support 8 bit hosts IO=10: 10 lines decoded	TPCE_IO
11Eh	61h	LS AS NR	LS=1: 1 byte length AS=2: 2 byte address NR=1: 2 address ranges	
120h	70h	Base address 1 (LSB)	Address range 1	
122h	01h	Base address 1 (MSB)	0x170 to 0x177	
124h	07h	Address range 1 length		
126h	76h	Base address 2 (LSB)	Address range 2	
128h	03h	Base address 2 (MSB)	0x376 to 0x377	
12Ah	01h	Address range 2 length		
12Ch	EEh	S P L M IRQN	S=1: interrupt sharing logic P=1: pulse mode supported L=1: level mode supported M=0: masks V..N not present IRQN=14: use interrupt 14	TPCE_IR

Address	Data	7 6 5 4 3 2 1 0	Description of Contents	CIS function
12Eh	20h	X R P RO A T	X=0: no more misc fields P=1: power-down supported RO=0:read/write media A=0: audio not supported T=0: max twins is 0	TPCE_MI
130h	1Bh	CISTPL_CFTABLE_ENTRY	Configuration tuple	Tuple code
132h	06h	CISTPL_LINK	Link length is 6 bytes	Link to next tuple
134h	03h	I D Configuration Index	I/O mapped, index=3	TPCE_INDX
136h	01h	M MS IR IO T Power	Power=1: VCC info, no VPP	TPCE_FS
138h	21h	R DI PI AI SI HV LV NV	PI=1: peak current info NV=1: nominal voltage info	TPCE_PD
13Ah	B5h	X Mantissa Exponent	X=1: extension byte present	
13Ch	1Eh	X Extension	Nominal voltage 3.30V	
13Eh	4Dh	X Mantissa Exponent	Peak current 45 mA	
140h	14h	CISTPL_NO_LINK	No link control tuple	Tuple code
142h	00h	CISTPL_LINK	Link length is 0 bytes	Link to next tuple
144h	FFh		End of CISTPL_VERS_1	End marker
146h	FFh	CISTPL_END	End of CIS	Tuple code

Above technical information is based on industry standard data and tested to be reliable. However, Transcend makes no warranty, either expressed or implied, as to its accuracy and assumes no liability in connection with the use of this product. Transcend reserves the right to make changes in specifications at any time without prior notice.

## Free Manuals Download Website

<http://myh66.com>

<http://usermanuals.us>

<http://www.somanuals.com>

<http://www.4manuals.cc>

<http://www.manual-lib.com>

<http://www.404manual.com>

<http://www.luxmanual.com>

<http://aubethermostatmanual.com>

Golf course search by state

<http://golfingnear.com>

Email search by domain

<http://emailbydomain.com>

Auto manuals search

<http://auto.somanuals.com>

TV manuals search

<http://tv.somanuals.com>