

TS1G/2G/4GMP630

Description

TS1G/2G/4GMP630 is a 1GB/2GB/4GB USB Flash Drive with 1 pcs of 1Gx8/2Gx8/4Gx8 Flash Memory assembled on the printed circuit board. It combines a USB Flash Drive with an MP3 player, AB repeater, voice recorder and an FM radio.

Outline



Dimensions

Side	Millimeters
A	73.00 ± 0.20
B	33.00 ± 0.20
C	12.50 ± 0.20

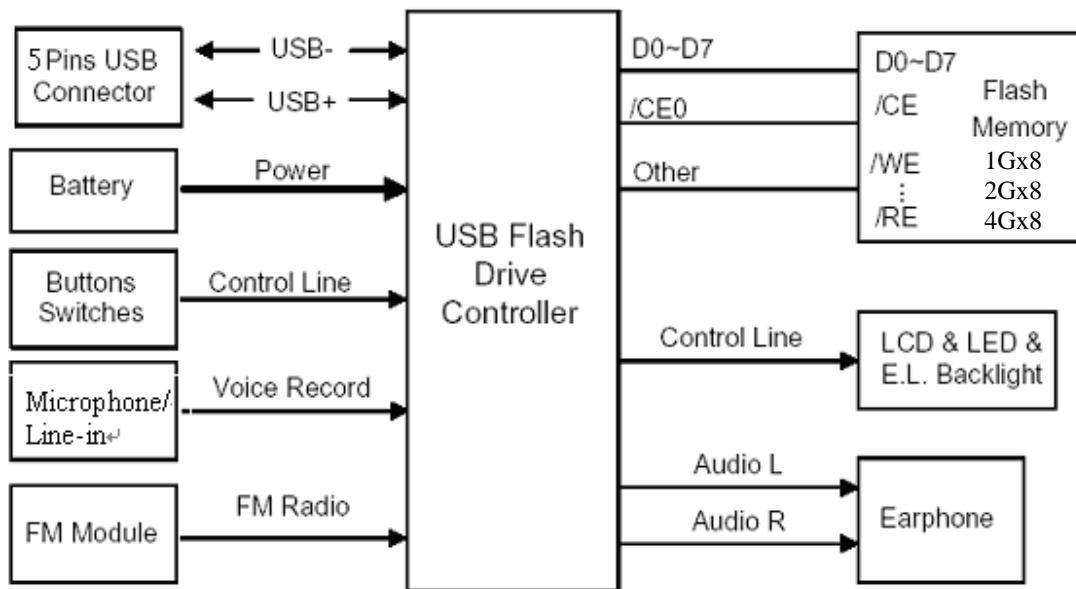
Features

- MP3 Player that supports MP3, WMA, WMA-DRM10 (subscription music) and WAV music formats
- FM Radio (FM Radio recording and the ability to preset 20 FM radio stations)
- Advanced Digital Voice Recorder: specify an individual (memo), or group (meeting) environment
- One-Touch Recording: even when Powered OFF, press and hold the REC button to start the Built-in Microphone Recording
- Karaoke-type lyrics display
- Direct Line-In recording from a CD Player, or external Microphone
- Brilliant, White text (4-Line) OLED Display produces a vibrant clear display, easily viewed at any angle and in any light
- Scheduled Recordings: preset a time to auto-start a Radio, or Microphone recording
- VAD (Voice Activation Detection), Very High quality Gapless Audio Recordings
- Playlist Builder
- A-B repeat function allows you to continuously replay a designated section of a track
- Variable Track Playback speeds
- Supports 12 user languages including song/artist name display

- USB Flash Drive capabilities for data transfer and storage, plus additional software
- 7 Equalizer effects, including a customizable USER EQ setting
- Powered using a rechargeable Li-ion battery (fully charged battery supports over 15 hours of continuous operation)
- Hi-Speed Mini USB 2.0 port for easy computer connectivity and fast file transfers
- Sleep Mode, preset the player to Auto-Power OFF after 15, 30, or 60 minutes
- Automatic screen saver runs if the unit is idle for more than a few seconds, this acts as a battery saving measure
- Real Time Clock (RTC) displays local and world times

Block Diagram

With 1 pcs of 1G/2G/4Gx8 Flash Memory



Pinouts

Pin No.	Pin Name
01	VCC
02	USB-
03	USB+
04	VSS
05	GND

Pin Identification

Symbol	Function
USB+ USB-	USB differential signal: The pairs are used to transmit Data/Address/Command
VCC	USB Power Input
VSS	Ground
GND	Ground

Specifications

• Host Interface	USB2.0
• Storage	1GB/2GB/4GB
• Size:	73 mm × 33 mm × 12.5 mm
• Weight:	30g (with Li-ion battery)
• Data Retention:	Up to 10 years
• Erase Cycles:	100,000 times
• Signal-to-Noise Ratio:	90dB
• Power Supply	USB mass storage: DC5V ± 10% MP3 Player: 3.7V Li-ion battery
• Estimated Battery Life:	15 hours (Li-ion battery)
• Music Formats:	MP3 WMA and WMA-DRM10 (Subscription music)
• Recording Format:	ADPCM (WAV)
• Compression Rates:	32Kbps–320Kbps
• Certificates:	CE, FCC, BSMI
• Warranty:	2-years

Free Manuals Download Website

<http://myh66.com>

<http://usermanuals.us>

<http://www.somanuals.com>

<http://www.4manuals.cc>

<http://www.manual-lib.com>

<http://www.404manual.com>

<http://www.luxmanual.com>

<http://aubethermostatmanual.com>

Golf course search by state

<http://golfingnear.com>

Email search by domain

<http://emailbydomain.com>

Auto manuals search

<http://auto.somanuals.com>

TV manuals search

<http://tv.somanuals.com>