

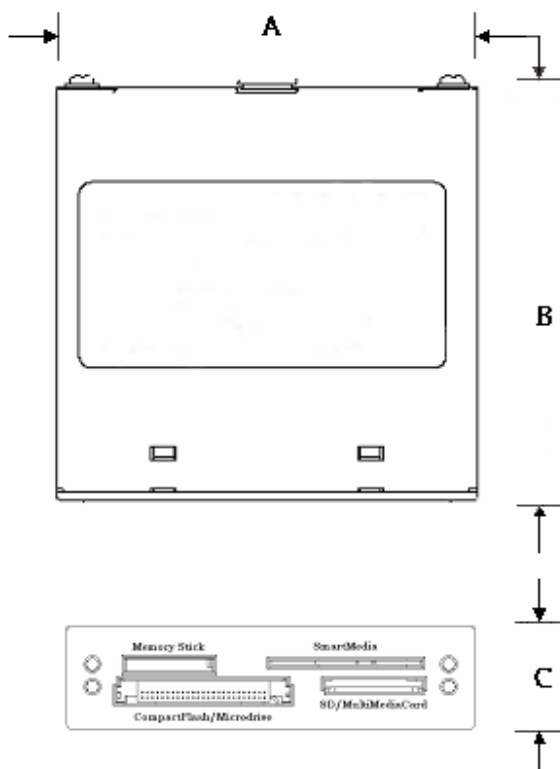
# TS0MFLRD8E

## USB2.0 Internal Multi-Card Reader

### Description

TS0MFLRD8E is a USB2.0 Internal Multi-Card Reader with 4 slots, which are for CompactFlash™ Type I/II, Microdrive™, SmartMedia™, Secure Digital, miniSD (with adapter), MultiMediaCard™, RS-MMC (with adapter), Memory Stick®, Memory Stick PRO®, Memory Stick Duo® (with adaptor) and Memory Stick PRO Duo® (with adaptor).

### Outline



### System Requirements

- Desktop computer with an onboard USB pin-header and 3.5" drive bay
- One of the following operating systems:
  - Win® 98SE, Win® 2000, Win® Me, Win® XP
  - Linux kernel 2.4 or later

### Features

- Front Panel: White
- Single Power Supply: 3.3V / 5V ± 10%
- Durability of Connector: 10,000 times
- Recommended Operating Temperature: 0 – 40
- Recommended Storage Temperature: -10 – 60
- Compliant with USB specification version 2.0
- Hi-Speed with transfer rate up to 480 Mbps
- Support CompactFlash™ Type I/II, IBM Microdrive™, SmartMedia™ Card, Secure Digital, miniSD (with adapter), MultiMediaCard™, RS-MMC (with adapter), Memory Stick®, Memory Stick PRO®, Memory Stick Duo® (with adaptor) and Memory Stick PRO Duo® (with adaptor)
- LEDs indicate card insertion and data traffic

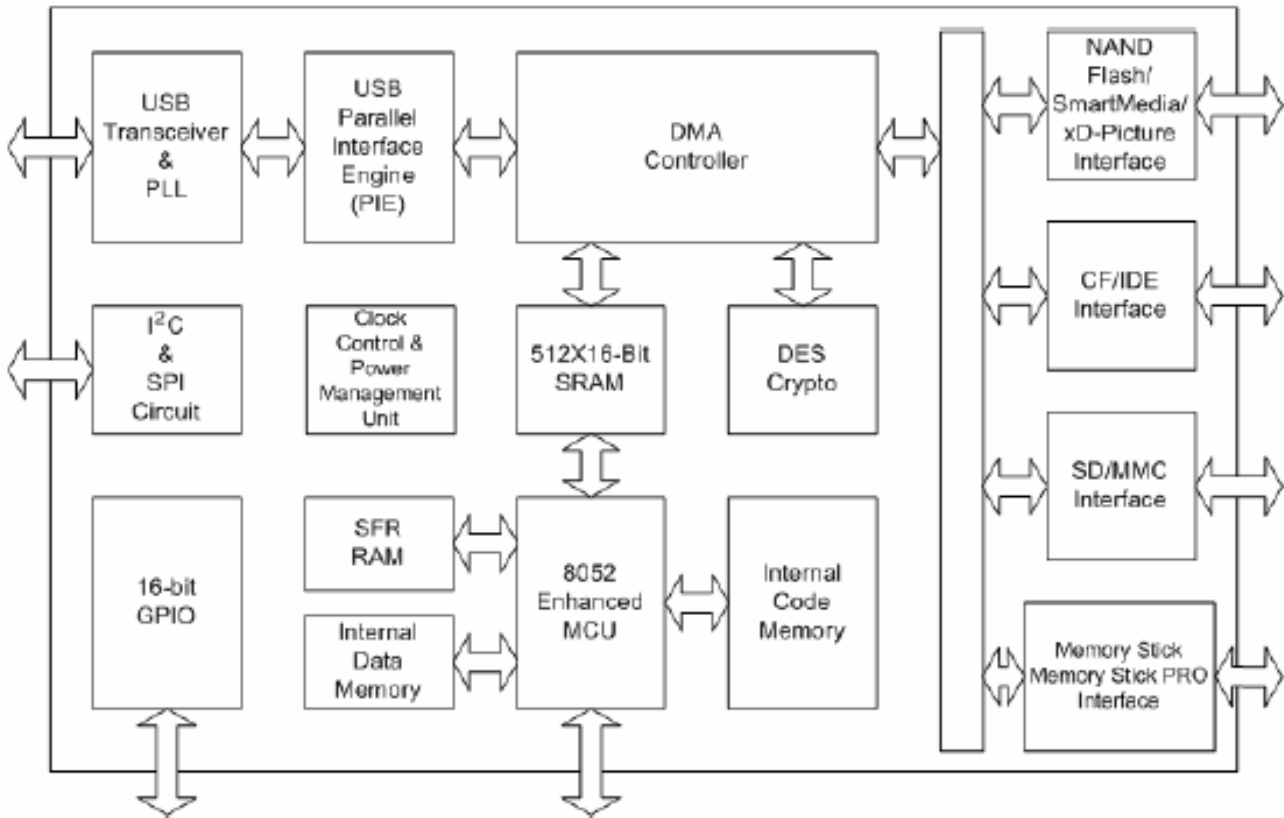
### Dimensions

| Side | Millimeters   | Inches      |
|------|---------------|-------------|
| A    | 102.00 ± 1.00 | 4.02 ± 0.04 |
| B    | 102.00 ± 1.00 | 4.02 ± 0.04 |
| C    | 26.00 ± 1.00  | 1.02 ± 0.04 |

# TS0MFLRD8E

## USB2.0 Internal Multi-Card Reader

### Block Diagram



### Pinouts

| Pin No. | Pin Name |
|---------|----------|
| 01      | VCC      |
| 02      | USB-     |
| 03      | USB+     |
| 04      | VSS      |
| 05      | NC / SG  |

### Pin Identification

| Symbol       | Function   |
|--------------|--|
| USB-<br>USB+ | USB differential signal:<br>The pairs are used to transmit<br>Data/Address/Command |
| VSS          | Ground   |
| VCC          | USB Power Input  |
| NC / SG      | Not Connect / Shield Ground  |

# TS0MFLRD8E

## USB2.0 Internal Multi-Card Reader

### Absolute Maximum Ratings

| Symbol | Parameter             | Min. | Max. | Unit |
|--------|-----------------------|------|------|------|
| VCC    | Input Voltage         | 2.6  | 5    | V    |
| Vss    | Input Ground Voltage  | 0    | 0.7  | V    |
| Ta     | Operating Temperature | 0    | +40  | °C   |
| Ts     | Storage Temperature   | -10  | +60  | °C   |

### DC Characteristics

(Ta = 0 °C to +40 °C, Vcc = 5V, Freq = 12MHz)

| Symbol | Parameter           | Min. | Typ. | Max. | Unit | Test Conditions |
|--------|---------------------|------|------|------|------|-----------------|
| Vs     | Supply Voltage      | 3.0  | 3.3  | 3.6  | V    | --              |
| VOH    | Output High Voltage | 3.0  | --   | --   | V    | --              |
| VOL    | Output High Voltage | --   | --   | 0.2  | V    | --              |

Above technical information is based on industry standard data and tested to be reliable. However, Transcend makes no warranty, either expressed or implied, as to its accuracy and assumes no liability in connection with the use of this product. Transcend reserves the right to make changes in specifications at any time without prior notice.

## Free Manuals Download Website

<http://myh66.com>

<http://usermanuals.us>

<http://www.somanuals.com>

<http://www.4manuals.cc>

<http://www.manual-lib.com>

<http://www.404manual.com>

<http://www.luxmanual.com>

<http://aubethermostatmanual.com>

Golf course search by state

<http://golfingnear.com>

Email search by domain

<http://emailbydomain.com>

Auto manuals search

<http://auto.somanuals.com>

TV manuals search

<http://tv.somanuals.com>