

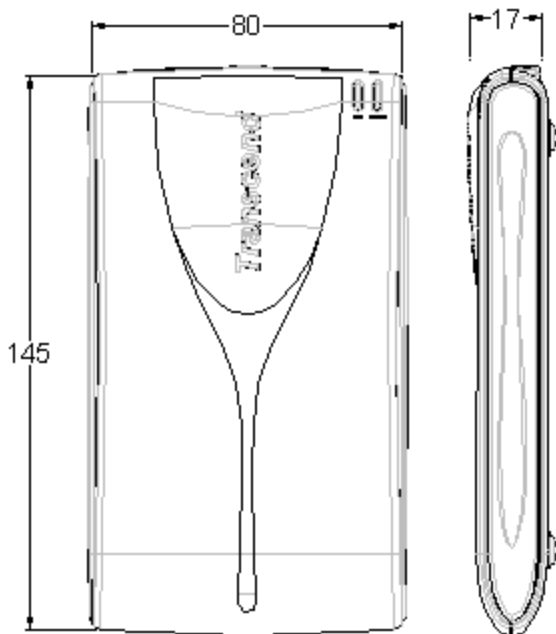
TS0MHDENC

Portable Hard Disk Enclosure

Description

TS0MHDENC is a USB 2.0 Portable Hard Disk Enclosure. This device is designed to expedite exchanging huge amounts of data between a 2.5" hard disk drive (HDD) installed in this Portable Hard Disk Enclosure and any desktop or notebook computers.

Placement



System Requirements

- Desktop or notebook computers with USB port
- One of following operating systems:
Win[®] 98, Win[®] Me, Win[®] 2000, Win[®] XP, Mac[™] OS

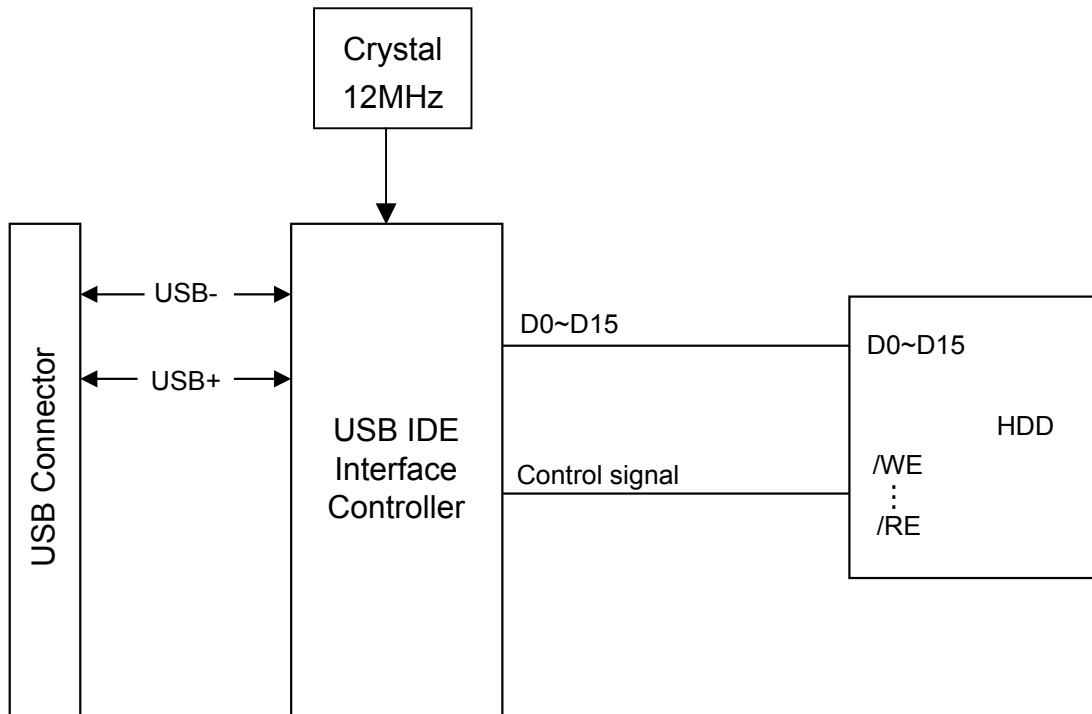
Features

- 100% Compatible with USB Interface in Windows or Mac
- Single Power Supply: 5V ± 10%
- Connector Durability: 10000 times
- Recommended operating temperature : 0 – 50 °C
- USB connection for true Plug and Play
- Supports Resume Suspend and Low power modes
- Compliant with USB specification version 1.1 & 2.0
- Support 2.5" hard disk drive (Height: 9.5mm)
- USB bus power or PS/2 port power needed.
- LEDs indicate Power On and Data Traffic

Dimensions

Side	Millimeters	Inches
A	145.00 ± 1.00	5.71 ± 0.04
B	80.00 ± 1.00	3.15 ± 0.04
C	17.00 ± 1.00	0.67 ± 0.04

Block Diagram



Pinouts

Pin No.	Pin Name
01	VCC
02	USB-
03	USB+
04	VSS

Pin Identification

Symbol	Function
USB-	USB differential signal:
USB+	The pairs are used to transmit Data/Address/Command
VSS	Ground
VCC	USB power input

Electrical Characteristics

Absolute Maximum Ratings

Supply Voltage Range, (VCC)	-0.3V to 3.6V
Input Voltage Range	-0.3V to (VCC+0.3V)
Output Voltage Range	-0.3V to (VCC+0.3V)
Operating temperature	0°C to 70°C
ESD Human Body Model	7 kV

Recommended Operation Conditions

	NOM.	MIN.	MAX.	UIITS
Supply voltage	3.3	3.0	3.6	V
Input voltage		0	VCC	V
Output voltage			VCC	V
High-level input voltage, VIH		0.7VCC	VCC	V
Low-level input voltage, VIL		0	0.3VCC	V
Operating Temperature	25	0	70	0°C

Electrical Characteristics

PARAMETER	TEST CONDITIONS	MIN.	MAX.	UIITS
High-level output voltage, Voh	Ioh = -12mA Ioh = -8mA	0.8VCC		V
Low-level output voltage, Vol	Iol = 12mA Iol = 8mA		0.2VCC	V

Above technical information is based on industry standard data and tested to be reliable. However, Transcend makes no warranty, either expressed or implied, as to its accuracy and assumes no liability in connection with the use of this product. Transcend reserves the right to make changes in specifications at any time without prior notice.

Free Manuals Download Website

<http://myh66.com>

<http://usermanuals.us>

<http://www.somanuals.com>

<http://www.4manuals.cc>

<http://www.manual-lib.com>

<http://www.404manual.com>

<http://www.luxmanual.com>

<http://aubethermostatmanual.com>

Golf course search by state

<http://golfingnear.com>

Email search by domain

<http://emailbydomain.com>

Auto manuals search

<http://auto.somanuals.com>

TV manuals search

<http://tv.somanuals.com>